

light-tec
be bright. save energy.



CAMPANA HB 100W

CAMPANA

ADVANTAGES

Unique flat wheel form design

Patented ADC12 graded lightweight housing

Built in driver with 4KV surge protection

Wide input voltage AC 100-277V

Optical glass over 90% light transmitting

LED 3030 chip with low lumen decay

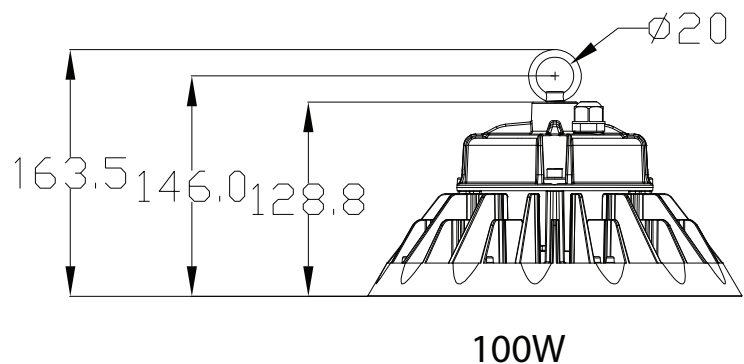
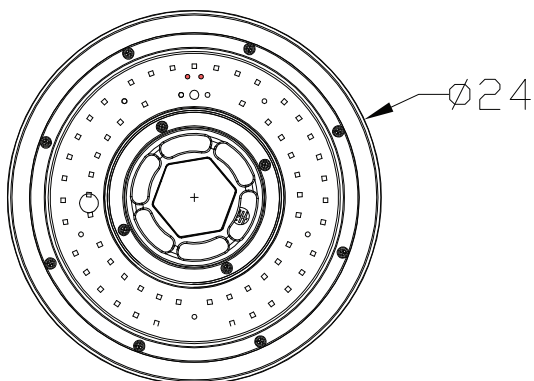
IP65 driver with short circuit/over-flow/over-temperature/over-voltage protection

160lm/W, over 90% energy saving

Lifespan 50,000 hours, 3 years' warranty

Easy installation and low maintenance

PRODUCT SIZE



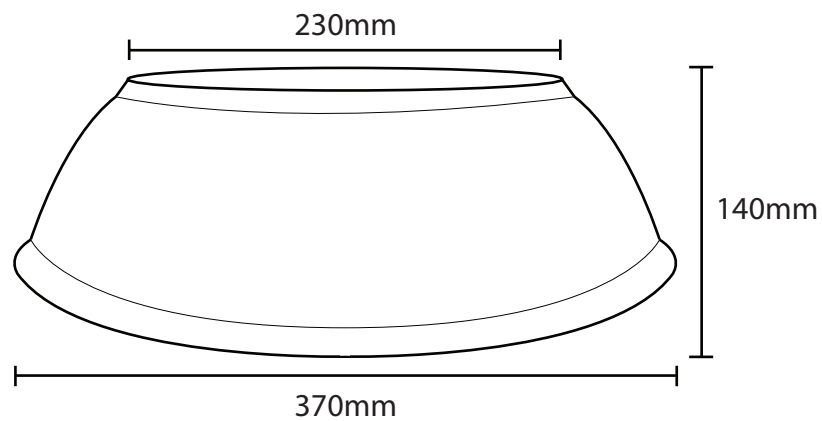
SPECIFICATION

Input Voltage	AC100-277V
Power	100W
Dimming	No/1-10V/Microwave Sensor/Lux Sensor
Spd.	4KV
PF	>0.95
LED Type	3030
Beam Angle	120°
Light Efficiency	160 lm/W
Luminous	16,000 lm
Color Temp	6500k
CRI	>70
IP	IP65
Working Temp	-20°C~45°C
Storage Temp	-40°C~60°C
Life Span	50000h@25°C

SPECIFICATION

QTY/Carton	1 pcs
Carton Size	288*288*206mm
N.W	2.2kg
G.W	2.7kg

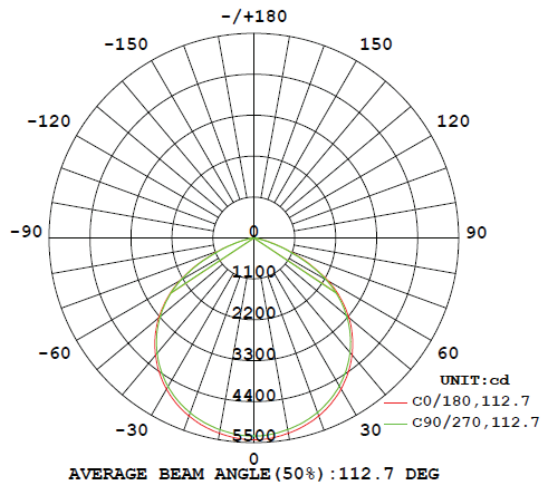
ALUMINUM DIFFUSER



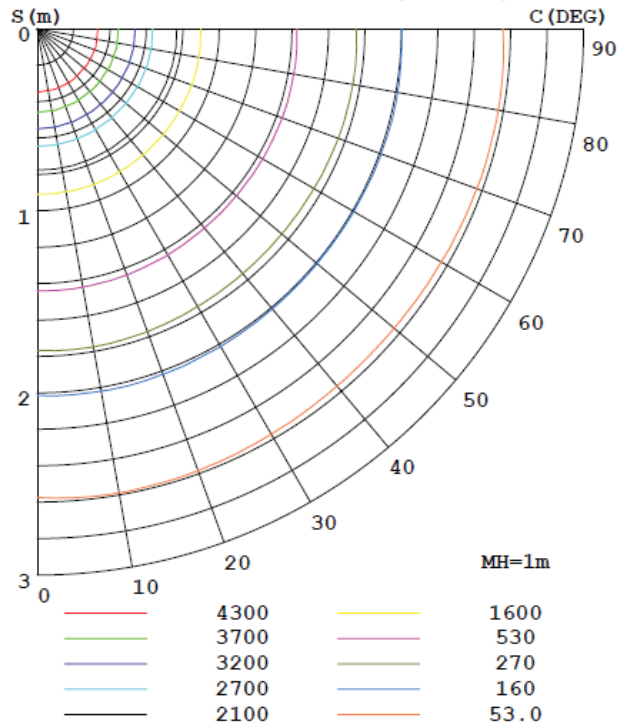
CERTIFICATION

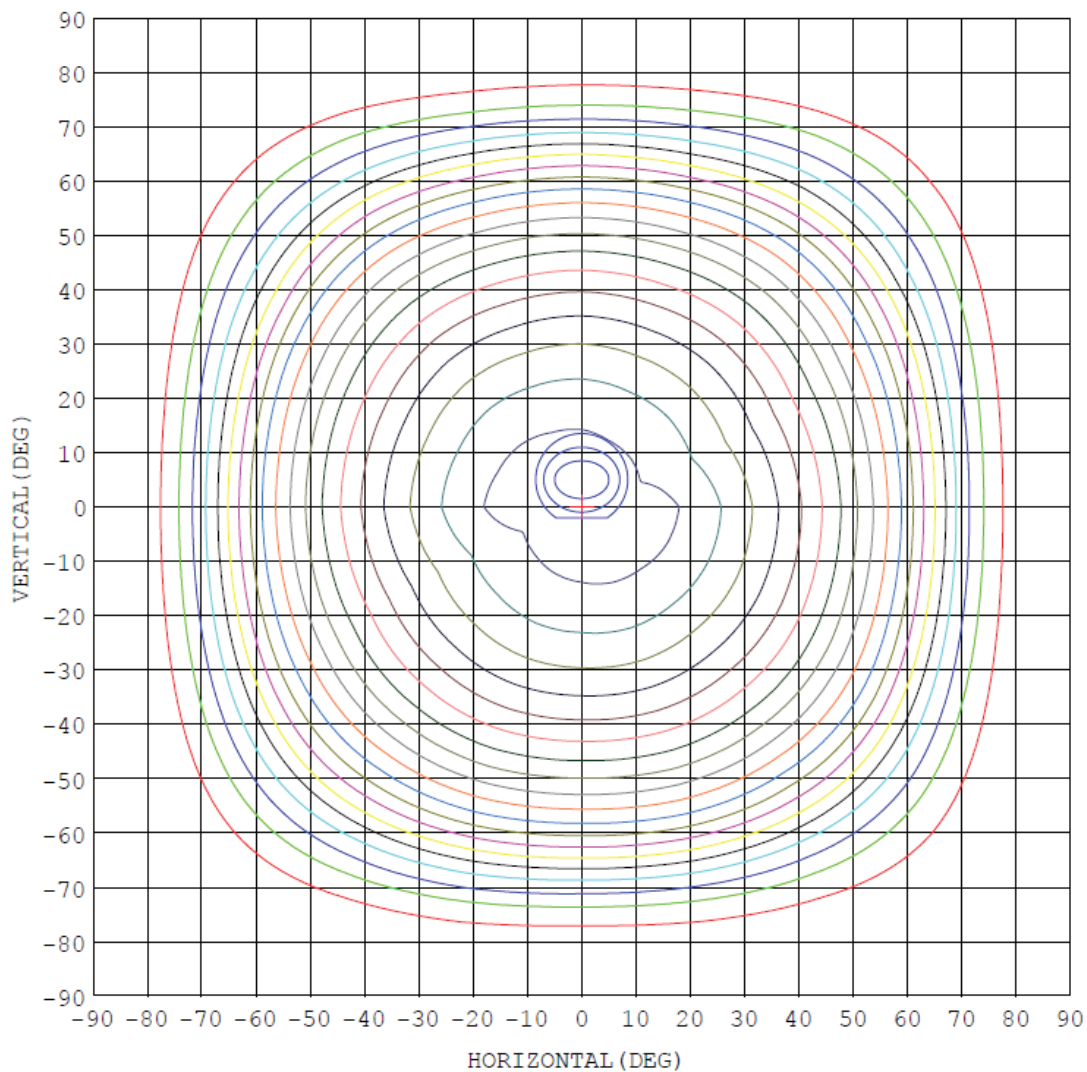


LUMINOUS INTENSITY DISTRIBUTION DIAGRAM



PLANAR ISOLUX DIAGRAM (UNIT: lx)





5%	271.2
10%	542.4
15%	813.6
20%	1085
25%	1356
30%	1627
35%	1898
40%	2170
45%	2441
50%	2712
55%	2983
60%	3255
65%	3526
70%	3797
75%	4068
80%	4339
85%	4611
90%	4882
95%	5153

1. AVG=5290, MIN=5237
2. AVG=5287, MIN=5201
3. AVG=5277, MIN=5158

Imax: 5424 (H0.0, V0.0)
 (At: C=0.0, Gamma=0.0)
 UNIT: cd

Flux out:11321 lm

