

light-tec
be bright. save energy.



CAMPANA HB 200W

CAMPANA

ADVANTAGES

Unique flat wheel form design

Patented ADC12 graded lightweight housing

Built in driver with 4KV surge protection

Wide input voltage AC 100-277V

Optical glass over 90% light transmitting

LED 3030 chip with low lumen decay

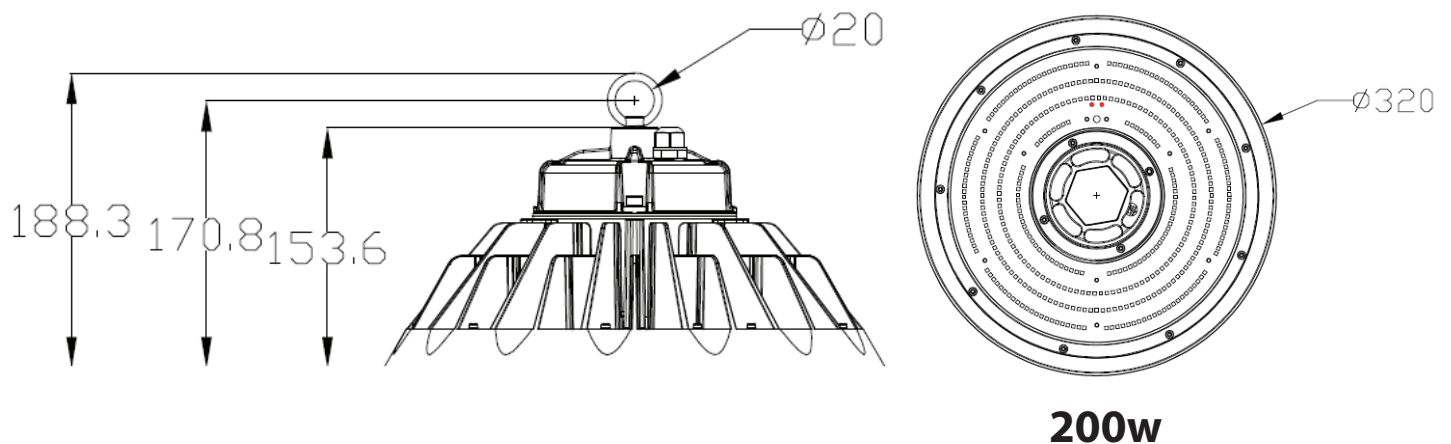
IP65 driver with short circuit/over-flow/over-temperature/over-voltage protection

160lm/W, over 90% energy saving

Lifespan 50,000 hours, 3 years' warranty

Easy installation and low maintenance

PRODUCT SIZE



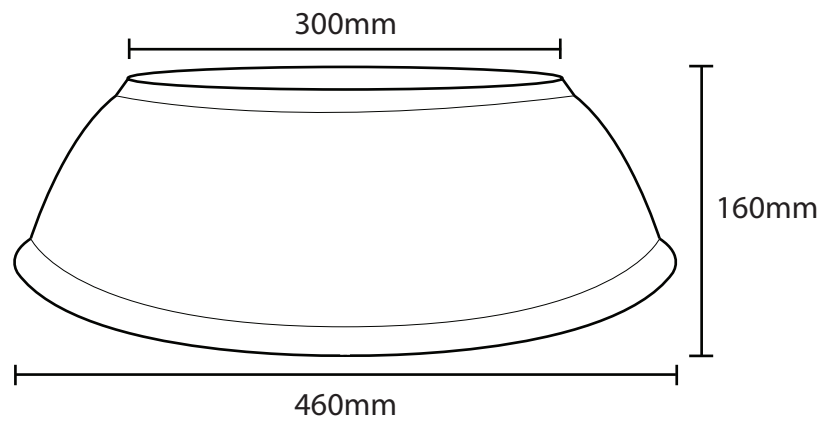
SPECIFICATION

Input Voltage	AC100-277V
Power	200W
Dimming	No/1-10V/Microwave Sensor/Lux Sensor
Spd.	4KV
PF	>0.95
LED Type	3030
Beam Angle	120°
Light Efficiency	160 lm/W
Luminous	32,000 lm
Color Temp	6500k
CRI	>70
IP	IP65
Working Temp	-20°C~45°C
Storage Temp	-40°C~60°C
Life Span	50000h@25°C

SPECIFICATION

QTY/Carton	1 pcs
Carton Size	361*361*231mm
N.W	3.5kg
G.W	4.5kg

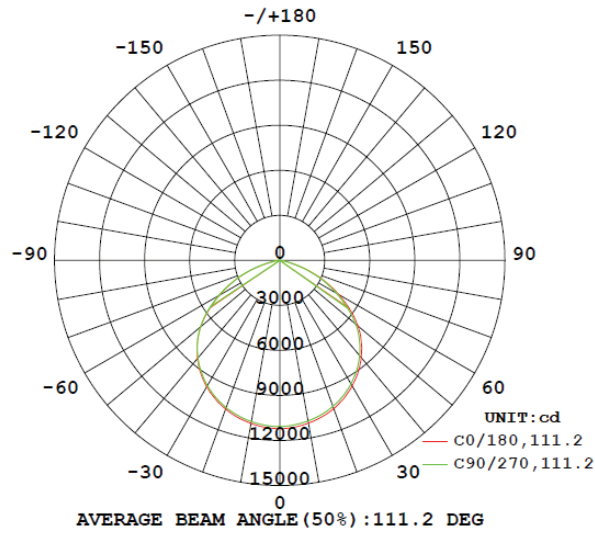
ALUMINUM DIFFUSER



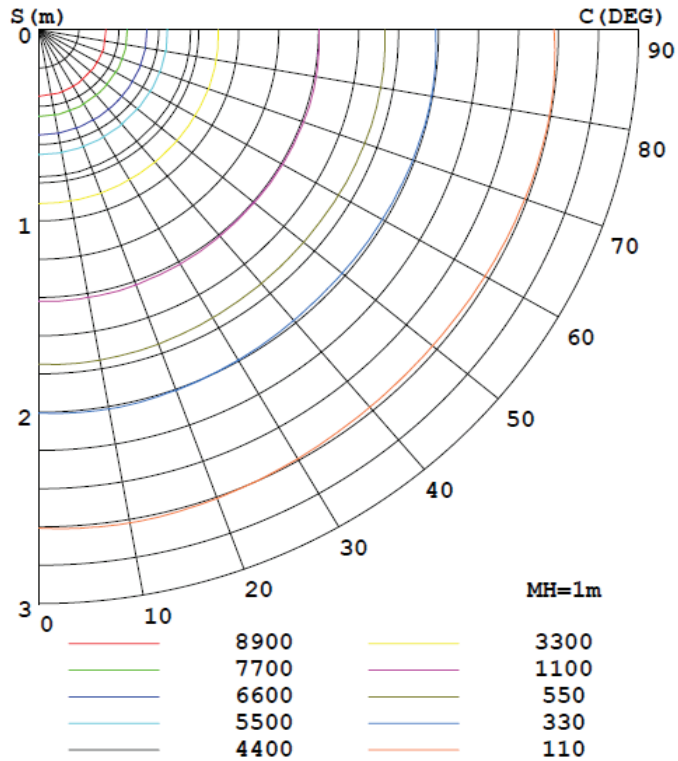
CERTIFICATION

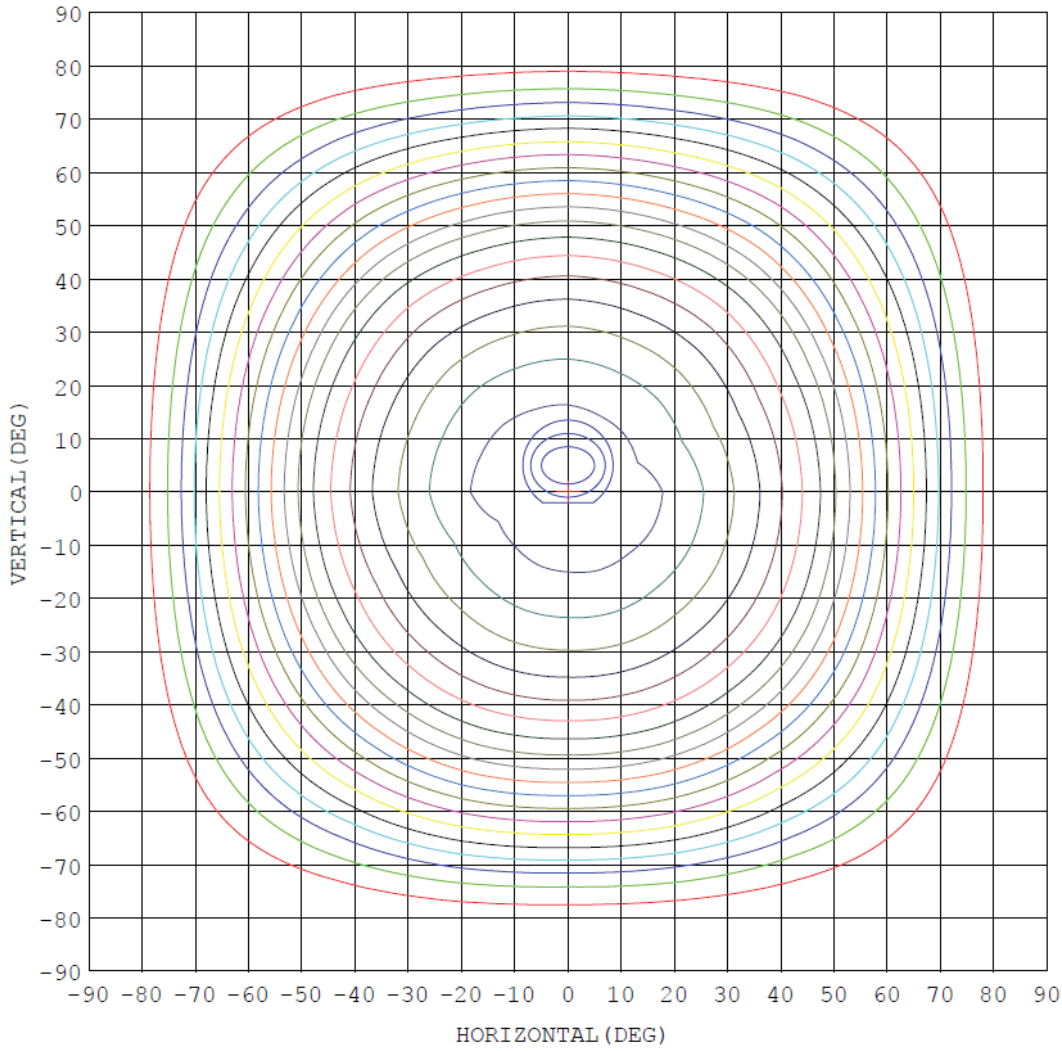


LUMINOUS INTENSITY DISTRIBUTION DIAGRAM



PLANAR ISOLUX DIAGRAM (UNIT: lx)





5%	560.5
10%	1121
15%	1681
20%	2242
25%	2802
30%	3363
35%	3923
40%	4484
45%	5044
50%	5605
55%	6165
60%	6725
65%	7286
70%	7846
75%	8407
80%	8967
85%	9528
90%	10088
95%	10649

1. AVG=11014, MIN=10920
2. AVG=11002, MIN=10851
3. AVG=10979, MIN=10764

Imax:11209 (H0.0, V0.0)
 (At:C=0.0, Gamma=0.0)
 UNIT: cd

