

SATCO® | NUVO®

LED | FUNCTIONAL FIXTURES



TABLE OF CONTENTS

Architectural Outdoor Wall64-67
Area Lights26-45
BLINK PRO182-185
BLINK Emergency193
BLINK Performer190-192
BLINK Plus186-189
Bulkhead Fixtures68-69
Canopy Lights20-25
Cloud Fixtures196-201
Commercial Downlights148-153
Direct Wire Downlights144-147
Disk Lights194-195
Downlight Retrofits110-127
Dual Head Security54-59
Exit Emergency226-243
Flat Panels106-107
Flood Lights48-53
Gooseneck46-47
High Bay.74-85
Landscape Floods60-61
Linear Strip86-95
Linear Tri-Proof98-99
Linear Vapor Tight96-97
Recessed Can Assemblies128-129
Remote Driver Downlights130-143
Shop Lights178-181
Step Lights62-63
Strips102-105
Track Lighting.154-171
Troffers108-109
Under Cabinet / Cove172-177
Utility / Multi Purpose202-223
Utility Indoor / Outdoor224-225
Vapor Tight70-73
Wall Packs.4-19
Wraps100-101



SATCO|NUVO's Functional line of luminaries offers the latest technologies and manufacturing design in LED lighting for the commercial, industrial and residential market.

We bring quality, value and design to every product we create. With each progressive generation our technology and engineering advance, improving product performance, versatility of application, ease of installation, safety, maintenance and overall satisfaction.

SATCO|NUVO provides lighting solutions you can count on, and products you can rely on.

TRADITIONAL WALL PACKS WATTAGE & CCT SELECTABLE



Features:

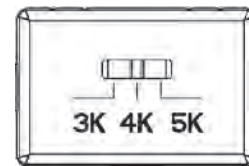
- Power Quick™ technology
- 3 Selectable wattages
- Color Quick™ technology
- 3 Selectable CCTs
- IP65 rugged, all weather durability
- Integrated Emergency battery backup versions
- Integrated By-Passable Photocell
- DLC PREMIUM
- 50,000 hours long life



TRADITIONAL WALL PACKS WATTAGE & CCT SELECTABLE



Traditional Full Footprint

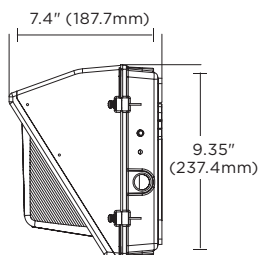


Color Temperature Selectable (CCT) Switch

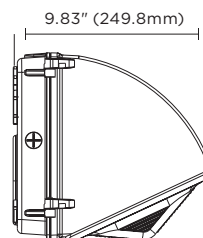
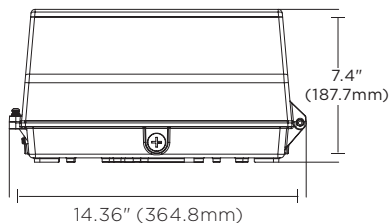
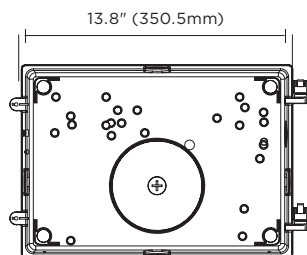


29W/40W/60W	80W/100W/120W
3=60W	3=120W
2=40W	2=100W
1=29W	1=80W

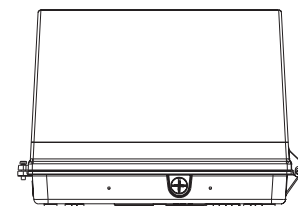
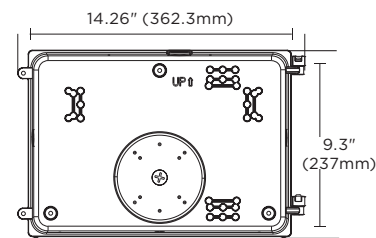
Wattage Selectable Switch



65-755, 65-756,
65-757, 65-758



65-760, 65-761



Item#	Description	Watts	Volts	Lumens	Pack
LED Wall Pack CCT & Wattage Adjustable					
65-754	Wall Pack CCT & Watt ADJ with Integrated EM	29/40/60	120-277	4060-8640	1
65-755	Wall Pack CCT & Watt ADJ	29/40/60	120-277	4060-8640	1
65-756	Wall Pack CCT & Watt ADJ	80/100/120	120-277	11200-17280	1
65-757	Wall Pack CCT & Watt ADJ	29/40/60	120-347	4118-8700	1
65-758	Wall Pack CCT & Watt ADJ	80/100/120	120-347	11360-17400	1
LED Semi-Cutoff Wall Pack CCT & Wattage Adjustable					
65-760	Semi-Cutoff Wall Pack CCT & Watt	29/40/60	120-277	3915-8400	1
65-761	Semi-Cutoff Wall Pack CCT & Watt	80/100/120	120-277	10800-15600	1
65-762	Semi-Cutoff Wall Pack CCT & Watt ADJ with Integrated EM	29/40/60	120-277	3915-8400	1
Accessories		Finish			Case Pack
65-818	Protective Cage Semi-Cutoff Wall Pack	Steel			25
65-819	Protective Cage Traditional Wall Pack	Steel			20

Specifications



Certifications



*Consult Satco or visit www.satco.com for an up-to-date dimmer compatibility list. See warranty for details.

Product sheet NUI570

ADJUSTABLE WALLPACK CCT SELECTABLE



Features:

- 28W, 40W, 60W and 80W Options
- CCT Selectable - 3000K/4000K/5000K
- Adjusts from 0° to 90°
- Die-cast aluminum body
- UV stabilized powder coated
- Bronze finish
- Impact resistant polycarbonate lens
- 65° x 95° Beam angle
- Operating temperature:
-40°C to 40°C (-40°F to 104°F)
- IP65
- 5 Year warranty



ColorQuick™

Selectable Color Technology

Switch to/from the following CCT



ADJUSTABLE WALLPACK CCT SELECTABLE

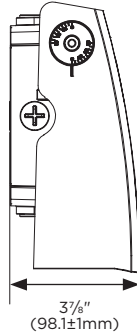
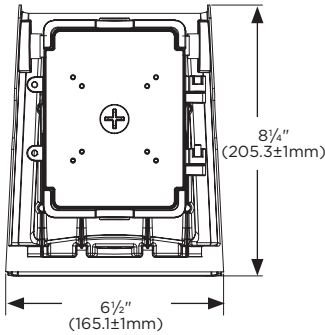
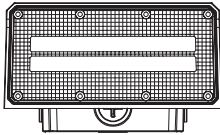


Wall Pack
(shown at 90°)

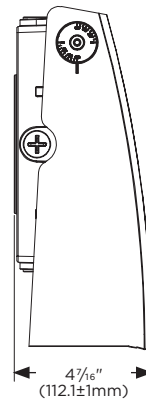
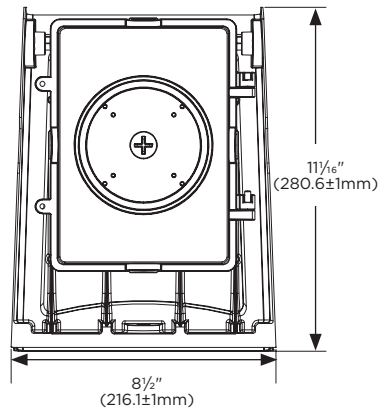
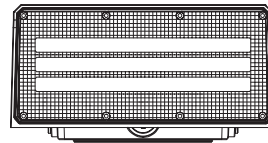


Adjusts from 0° to 90°

28W & 40W
Wall Pack



60W & 80W
Wall Pack



Item	Description	Watts	Lumens	CCT Selectable	MH Equiv.	Pack
65-677**	28W Wall Pack - Bronze	28	3360-3500	3000K/4000K/5000K	70-100W	4
65-678**	40W Wall Pack - Bronze	40	4800-5000	3000K/4000K/5000K	100-150W	4
65-679*	60W Wall Pack - Bronze	60	7200-7500	3000K/4000K/5000K	150-200W	4
65-680*	80W Wall Pack - Bronze	80	9600-10000	3000K/4000K/5000K	250W	4

Accessories

86-205 **Add-on Photocell for LED Wall Pack Fixture (for 65-679 and 65-680 only) 1

*Consult Satco or visit www.satco.com for an up-to-date dimmer compatibility list.

**Not compatible with 86-205 photocell
See warranty for details.

Product sheet NUI625

Specifications

CCT SELECTABLE	80 CRI	120-277V*	1-10V DIMMING
WET LOCATION	50,000 HOURS	4KV SURGE PROTECTION	IP 65

Certifications

UL CERTIFIED	DLG PREMIUM	FCC	RoHS COMPLIANT
--------------	-------------	-----	----------------

SEMI CUTOFF WALL PACK CCT SELECTABLE



Features:

- 40W, 60W and 80W Options
- CCT Selectable - 3000K/4000K/5000K
- Semi cutoff design
- Die-cast aluminum body
- UV stabilized powder coated
- Bronze finish
- 55° x 105° Beam angle
- Operating temperature:
-40°C to 40°C (-40°F to 104°F)
- Impact resistant polycarbonate lens
- IP65
- 5 Year warranty



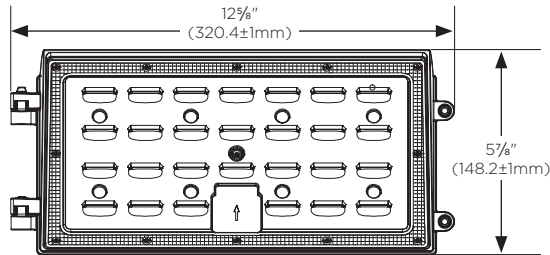
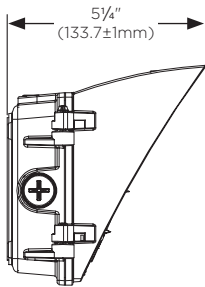
ColorQuick™

Selectable Color Technology

Switch to/from the following CCT



SEMI CUTOFF WALL PACK CCT SELECTABLE

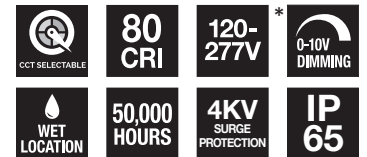


Item	Description	Watts	Lumens	CCT Selectable	MH Equiv.	Pack
65-674	40W Semi Cutoff Wall Pack - Bronze	40	4800-5000	3000K/4000K/5000K	100-150W	4
65-675	60W Semi Cutoff Wall Pack - Bronze	60	7200-7500	3000K/4000K/5000K	150-200W	4
65-676	80W Semi Cutoff Wall Pack - Bronze	80	9600-10000	3000K/4000K/5000K	250W	4
Accessories						
86-205	Add-on Photocell for LED Wall Pack Fixture					100

*Consult Satco or visit www.satco.com for an up-to-date dimmer compatibility list. See warranty for details.

Product sheet NU1625

Specifications



Certifications

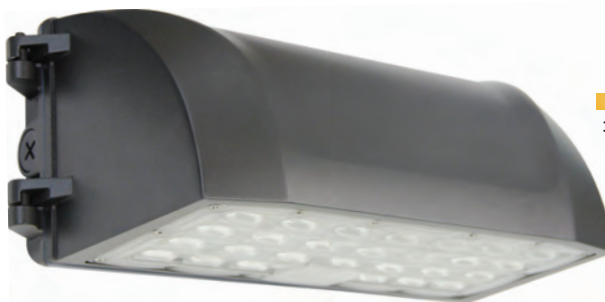


FULL CUTOFF WALL PACK CCT SELECTABLE



Features:

- 28W, 40W, 60W and 80W Options
- CCT Selectable - 3000K/4000K/5000K
- Full cutoff design
- Die-cast aluminum body
- UV stabilized powder coated
- Bronze finish
- 90° x 100° Beam angle
- Operating temperature:
-40°C to 40°C (-40°F to 104°F)
- Impact resistant polycarbonate lens
- IP65
- 5 Year warranty



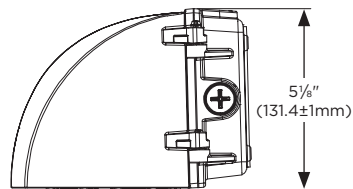
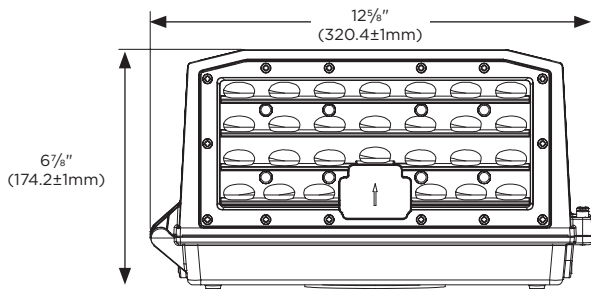
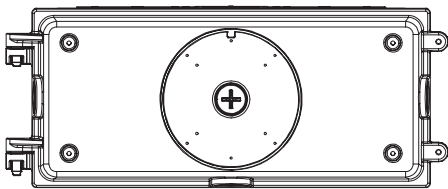
ColorQuick™

Selectable Color Technology

Switch to/from the following CCT



FULL CUTOFF WALL PACK CCT SELECTABLE



Item	Description	Watts	Lumens	CCT Selectable	MH Equiv.	Pack
65-671	40W Full Cutoff Wall Pack - Bronze	40	4800-5000	3000K/4000K/5000K	100-150W	4
65-672	60W Full Cutoff Wall Pack - Bronze	60	7200-7500	3000K/4000K/5000K	150-200W	4
65-673	80W Full Cutoff Wall Pack - Bronze	80	9600-10000	3000K/4000K/5000K	250W	4
Accessories						
86-205	Add-on Photocell for LED Wall Pack Fixture					100

*Consult Satco or visit www.satco.com for an up-to-date dimmer compatibility list. See warranty for details.

Product sheet NU1625

Specifications

- CCT SELECTABLE
- 80 CRI
- 120-277V
- 1-10V DIMMING
- WET LOCATION
- 50,000 HOURS
- 4KV SURGE PROTECTION
- IP 65

Certifications

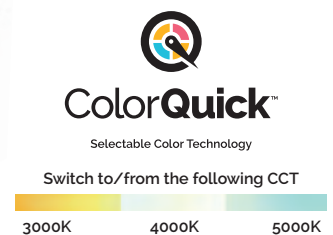
- UL CERTIFIED
- DLG PREMIUM
- FC
- RoHS COMPLIANT

SMALL WALL PACK CCT SELECTABLE

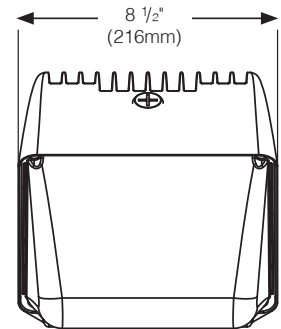
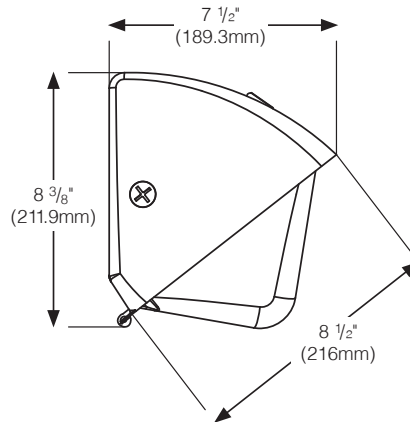
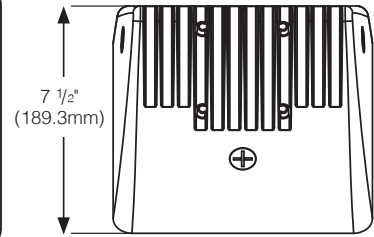
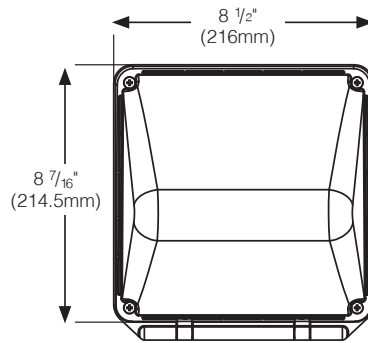


Features:

- 29 and 40W Options
- CCT Selectable - 3000K/4000K/5000K
- Die-cast aluminum body
- UV stabilized powder coated
- Bronze finish
- Integrated, by-passable photocell
- 80°Beam angle
- Operating temperature: -40°C to 40°C (-40°F to 104°F)
- Impact resistant IK10 lens
- IP65
- 5 Year warranty



SMALL WALL PACK CCT SELECTABLE

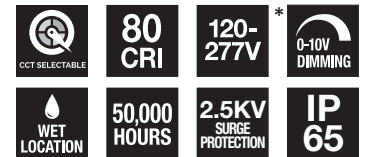


Item	Description	Watts	Lumens	CCT Selectable	Pack
65-655 [†]	Small Wall Pack - Bronze	29	3650-3770	3000K/4000K/5000K	4
65-656	Small Wall Pack - Bronze	40	4200-5000	3000K/4000K/5000K	4

[†]Consult Satco or visit www.satco.com for an up-to-date dimmer compatibility list. See warranty for details.

Product sheet NU1628

Specifications



Certifications



SMALL ROUND WALL PACK CCT SELECTABLE WITH PHOTOCELL



Features:

- CCT Selectable - 3000K/4000K/5000K
- Black, Bronze or White finish
- Die cast aluminum body
- Rugged, impact-resistant polycarbonate frosted lens
- Built-in by-passable photocell
- 100° Beam angle
- Operating temperature -30°C to 45°C (-22°F to 113°F)
- IP65
- 5 Year warranty



ColorQuick™

Selectable Color Technology

Switch to/from the following CCT

3000K 4000K 5000K

SMALL ROUND WALL PACK CCT SELECTABLE WITH PHOTOCELL



White



Bronze

1/2" NPT Knockouts on either side, and one on the back

By-Passable Photocell

Impact Resistant Polycarbonate Lens

CCT Switch Back Panel

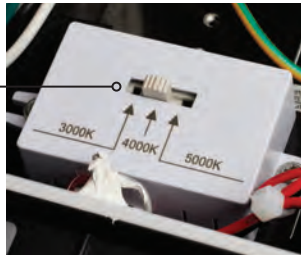
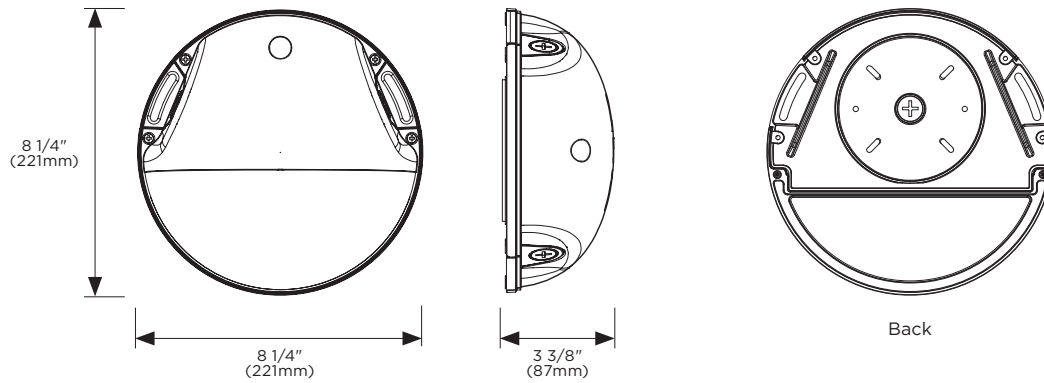


Illustration shows location of selectable switch behind backplate enclosure



Item	Description	CCT	Lumens	Pack
65-750	Small Round Wall Pack w/Photocell - Black	3000/4000/5000K	2600-2800	10
65-751	Small Round Wall Pack w/Photocell - Bronze	3000/4000/5000K	2600-2800	10
65-752	Small Round Wall Pack w/Photocell - White	3000/4000/5000K	2600-2800	10

Consult Satco or visit www.satco.com for an up-to-date dimmer compatibility list. See warranty for details.

Product sheet NU1652

Specifications

-
-
-
-
-
-
-
-
-

Certifications

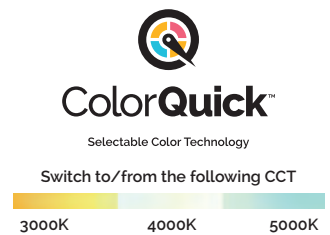
-
-
-
-

SMALL RECTANGLE WALL PACK CCT SELECTABLE WITH PHOTOCELL

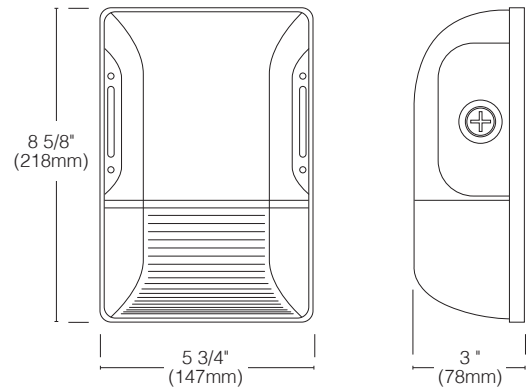
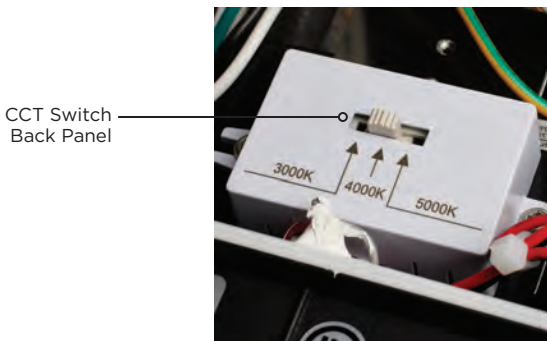
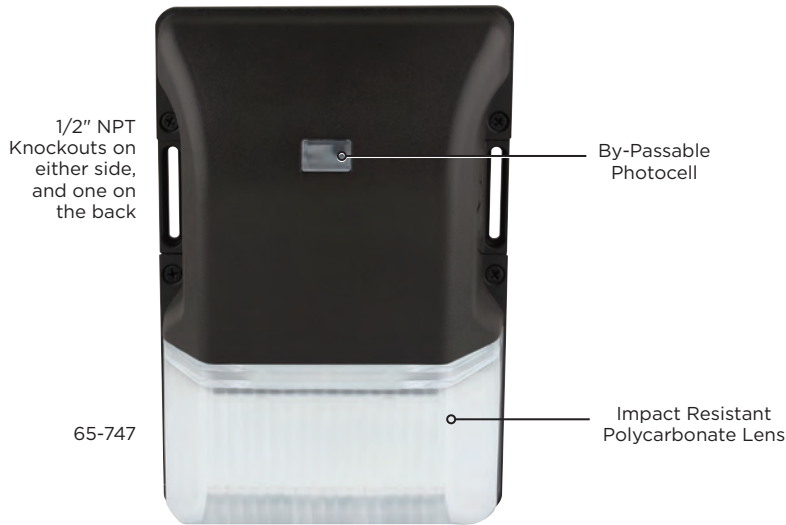


Features:

- CCT Selectable - 3000K/4000K/5000K
- Integrated photocell (by-passable)
- Compact Design with Multiple 1/2" NPT Knockouts
- Black, Bronze or white finishes
- 0-10V Dimmable
- IP65
- 5 year warranty



SMALL RECTANGLE WALL PACK CCT SELECTABLE WITH PHOTOCELL



Item	Description	CTT	Lumens	UPC	Pack
65-747	Small 20W Wall Pack - Black	3000/4000/5000K	2608-2920	045923657474	10
65-748	Small 20W Wall Pack - Bronze	3000/4000/5000K	2608-2920	045923657481	10
65-749	Small 20W Wall Pack - White	3000/4000/5000K	2608-2920	045923657498	10

*Consult Satco or visit www.satco.com for an up-to-date dimmer compatibility list. See warranty for details.

Product sheet NU1737

Specifications

- 20 WATTS**
- 120-277V**
- ColorQuick**
- 2608-2920 LUMENS**
- 0-10V DIMMING**
- 50,000 HOURS**
- 80 CRI**
- 2.5KV SURGE PROTECTION**
- IP 65**

Certifications

-
-
-
-

ROUND AND SQUARE WALL PACK



Features:

- 13W Features Photo control - On at dusk / Off at dawn
- Die-cast aluminum body
- UV stabilized powder coated
- Bronze finish
- Operating temperature:
-40°C to 40°C (-40°F to 104°F)
- Prismatic lens for uniform light distribution
- IP65
- 5 Year warranty

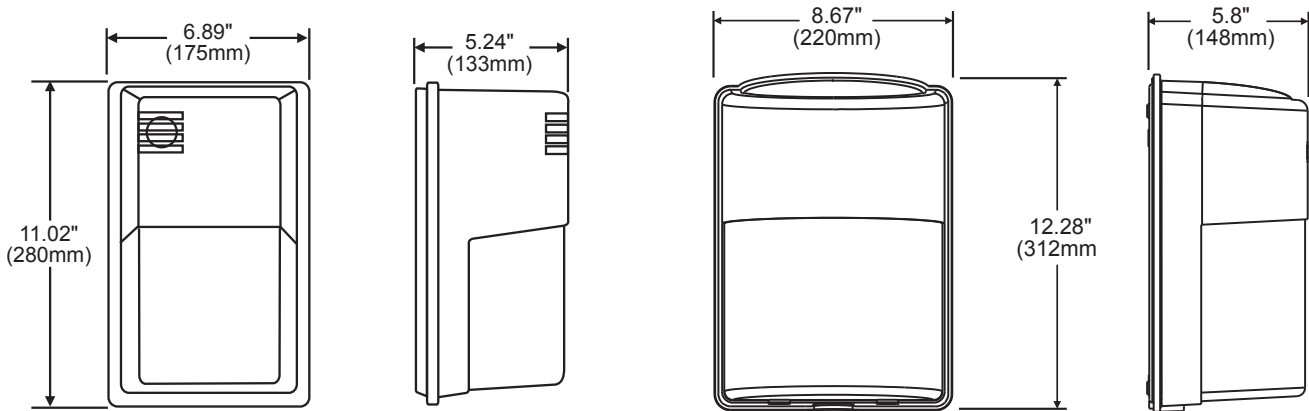


13W Wall Pack w/Photocell

ROUND AND SQUARE WALL PACK



26W Wall Pack



Item	Description	Watts	Lumens	Volts	Life/Hrs.	Pack
65-062	13W w/Photocell - Bronze	13	908	120	42,000	6
65-063	26W - Bronze	26	1691	120-277	35,000	6

See warranty for details.

Product sheet NU1583, NU1584

Specifications



Certifications

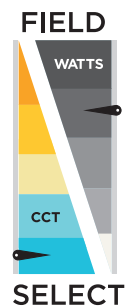


WIDE BEAM ANGLE CANOPY WITH SENSOR PORT

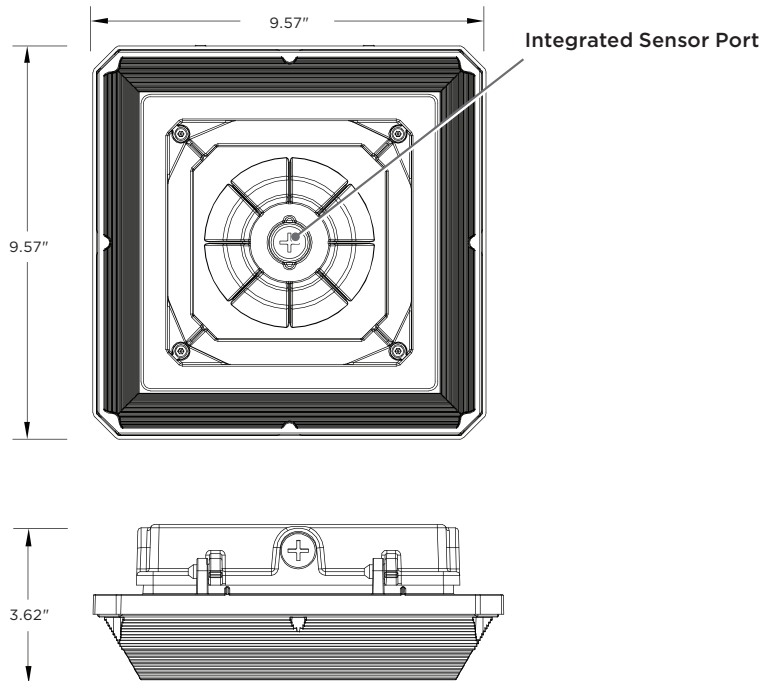


Features:

- Wide Beam Angle for Broad Light Coverage
- 0-10V Dimming
- 3 CCT Selectable
- 3 Wattage Selectable
- Integrated Sensor Port
- IK10 Vandal Resistant Lens
- 50,000 Functional Life
- EM Battery Backup Capable



WIDE BEAM ANGLE CANOPY WITH SENSOR PORT



ACCESSORIES



EM Wide Beam Ang Canopy (65-633)



PIR Sensor/6 Meter (86-217)



Remote for 86/218 (86-219)



PIR Sensor/12 Meter (86-220)

Item	Description	Watts	CCT	Lumens	UPC	Pack
65-634	WHITE	20W/30W/45W	3000K/4000K/5000K	2663L-6288L	045923654176	4
65-635	WHITE	60W/75W/90W	3000K/4000K/5000K	7920L-12557L	045923654183	4
65-636	BRONZE	20W/30W/45W	3000K/4000K/5000K	2663L-6288L	045923654190	4
65-637	BRONZE	60W/75W/90W	3000K/4000K/5000K	7920L-12557L	045923654206	4

Product sheet NU1786

Accessories

Item	Description	UPC	Pack
65-633	EM BATTERY BACKUP DRIVER	045923654909	5
86-217	PIR SENSOR/6 METER	045923862175	150
86-218	MICROWAVE SENSOR	045923666353	100
86-220	PIR SENSOR/12 METER	045923862205	100
86-219	REMOTE FOR ADD ON SENSORS	045923665967	100

Specifications



Certifications



ROUND CANOPY CCT SELECTABLE WITH SENSOR PORT



Features:

- CCT Selectable - 3000K/4000K/5000K
- Die-Cast Aluminum Body
- 25W, 40W, 55W, 75W and 100W options
- White or Bronze finish
- UV Stabilized Powder Coated Finish
- Ceiling or 3/4" Pendant Mounting
- Beam angle 150°
- Operating Temperature:
-40°C to 50°C (-40°F to 122°F)
- IP65
- 5 Year Warranty



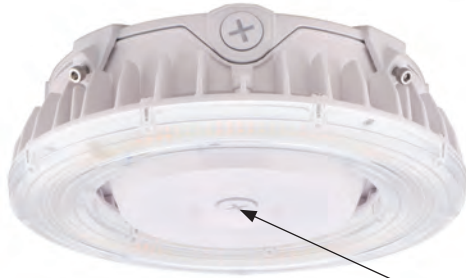
ColorQuick™

Selectable Color Technology

Switch to/from the following CCT



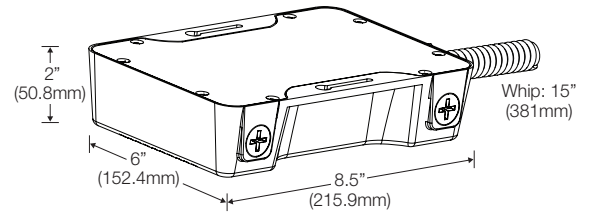
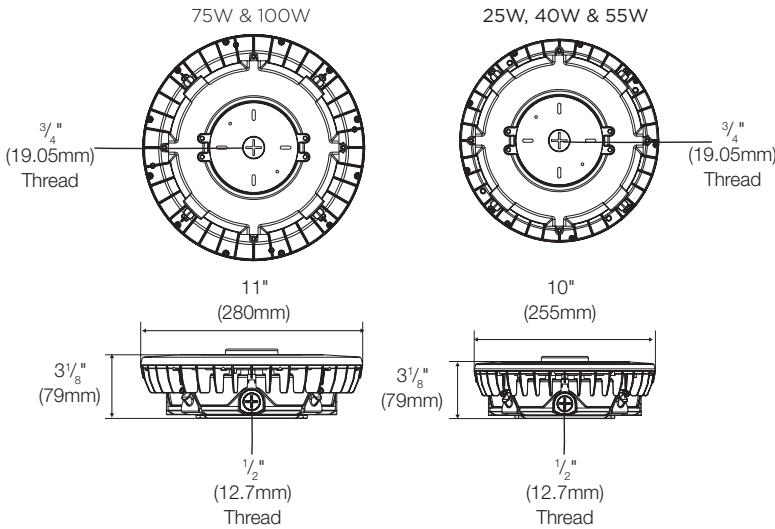
ROUND CANOPY CCT SELECTABLE WITH SENSOR PORT



Round Canopy, White Sensor Port



65-638, 65-639
8W/15W, 90 Min. run time
emergency battery back up



Emergency Function

Item	Fixture Wattage	Charging Time	Emergency Time
65-638	25W/45W/55W	>24 Hours	>90 Minutes
65-639	75W/100W	>24 Hours	>90 Minutes

Item	Description	Watts	Lumens	CCT Selectable	Pack
65-623R1	25W Canopy Light - White	25	3718-3975	3000K/4000K/5000K	2
65-624R1	25W Canopy Light - Bronze	25	3718-3975	3000K/4000K/5000K	2
65-625R1	40W Canopy Light - White	40	5785-6215	3000K/4000K/5000K	2
65-626R1	40W Canopy Light - Bronze	40	5785-6215	3000K/4000K/5000K	2
65-627R1	55W Canopy Light - White	55	7733-8284	3000K/4000K/5000K	2
65-628R1	55W Canopy Light - Bronze	55	7733-8284	3000K/4000K/5000K	2
65-629R1	75W Canopy Light - White	75	10887-11573	3000K/4000K/5000K	2
65-630R1	75W Canopy Light - Bronze	75	10887-11573	3000K/4000K/5000K	2
65-631R1	100W Canopy Light - White	100	14298-15322	3000K/4000K/5000K	2
65-632R1	100W Canopy Light - Bronze	100	14298-15322	3000K/4000K/5000K	2

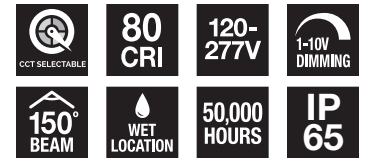
Accessories

65-638	Add-On Emergency Battery Backup	25W/40W/55W			5
65-639	Add-On Emergency Battery Backup	75W/100W			5
86-217	PIR Sensor/6 meter				150
86-220	PIR Sensor/12 meter				100
86-218	Add-On Microwave Sensor				100
86-219	Remote for Sensors				100

*Consult Satco or visit www.satco.com for an up-to-date dimmer compatibility list. See warranty for details.

Product sheet NUI784

Specifications



Certifications



SQUARE LOW PROFILE CANOPY



Features:

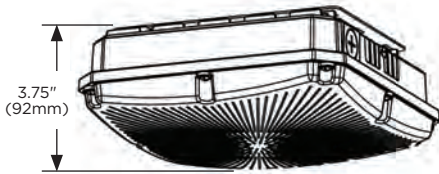
- 28, 40W, 60W and 70W Options
- 4000K and 5000K Options
- Die-Cast Aluminum Body
- 8.5" & 10" sizes
- Bronze finish
- UV Stabilized Powder Coated Finish
- Ceiling or 3/4" Pendant Mounting
- 150° Beam Angle
- Operating Temperature:
-40°C to 40°C (-40°F to 104°F)
- IP65
- 5 Year Warranty



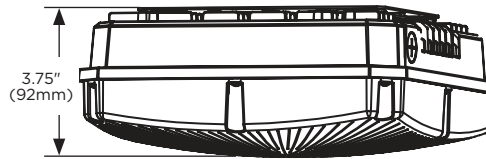
SQUARE LOW PROFILE CANOPY



8.5" Square Canopy



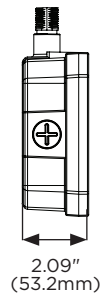
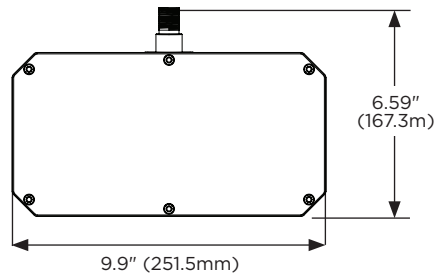
8.5" (216mm) Square



10" (254mm) Square



65-150
9W, 90 Min. run time
emergency battery backup



Item	Description	Watts	CCT	Lumens	Pack
65-138	8.5" Square Canopy - Bronze	28	4000K	3360	6
65-139	8.5" Square Canopy - Bronze	28	5000K	3360	6
65-140	8.5" Square Canopy - Bronze	40	4000K	4800	6
65-141	8.5" Square Canopy - Bronze	40	5000K	4800	6
65-142	10" Square Canopy - Bronze	28	4000K	3360	4
65-143	10" Square Canopy - Bronze	28	5000K	3360	4
65-144	10" Square Canopy - Bronze	40	4000K	4800	4
65-145	10" Square Canopy - Bronze	40	5000K	4800	4
65-146	10" Square Canopy - Bronze	60	4000K	7200	4
65-147	10" Square Canopy - Bronze	60	5000K	7200	4
65-148	10" Square Canopy - Bronze	70	4000K	8400	4
65-149	10" Square Canopy - Bronze	70	5000K	8400	4

Accessories

65-150	Add-on Emergency Battery Backup	10
86-203	Add-on Microwave Sensor	100

Consult Satco or visit www.satco.com for an up-to-date dimmer compatibility list. See warranty for details.

Product sheet NU1521

Specifications



Certifications



100W AND 150W LED AREA LIGHTS

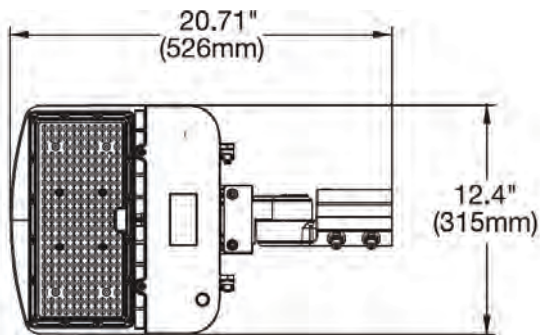


Features:

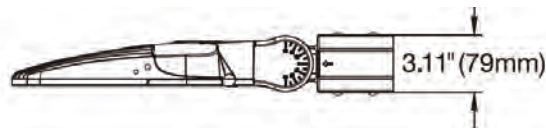
- Bronze Powder Coated Finish for All Weather Durability
- 0-10V Dimming*
- Built-In 4KV Surge Protection
- IP65
- Rated 50,000 Hours Life
- 5 Year warranty



100W AND 150W LED AREA LIGHTS



Dimensional



Item	Description	Watts	Volts	CCT	Lumens	Dimensions
Type III						
65-840	100W LED Area Light Type III	100	120-277	4000K	13793	L:20.71" W:12.40" H:3.11"
65-841	100W LED Area Light Type III	100	120-277	5000K	13793	L:20.71" W:12.40" H:3.11"
65-842	150W LED Area Light Type III	150	120-277	4000K	19507	L:20.71" W:12.40" H:3.11"
65-843	150W LED Area Light Type III	150	120-277	5000K	19736	L:20.71" W:12.40" H:3.11"
65-860	100W LED Area Light Type III	100	277-480	4000K	13793	L:20.71" W:12.40" H:3.11"
65-861	100W LED Area Light Type III	100	277-480	5000K	13793	L:20.71" W:12.40" H:3.11"
65-862	150W LED Area Light Type III	150	277-480	4000K	19507	L:20.71" W:12.40" H:3.11"
65-863	150W LED Area Light Type III	150	277-480	5000K	19736	L:20.71" W:12.40" H:3.11"
Type IV						
65-840-4	100W LED Area Light Type IV	100	120-277	4000K	13793	L:20.71" W:12.40" H:3.11"
65-841-4	100W LED Area Light Type IV	100	120-277	5000K	13793	L:20.71" W:12.40" H:3.11"
65-842-4	150W LED Area Light Type IV	150	120-277	4000K	19507	L:20.71" W:12.40" H:3.11"
65-843-4	150W LED Area Light Type IV	150	120-277	5000K	19736	L:20.71" W:12.40" H:3.11"
65-860-4	100W LED Area Light Type IV	100	277-480	4000K	13793	L:20.71" W:12.40" H:3.11"
65-861-4	100W LED Area Light Type IV	100	277-480	5000K	13793	L:20.71" W:12.40" H:3.11"
65-862-4	150W LED Area Light Type IV	150	277-480	4000K	19507	L:20.71" W:12.40" H:3.11"
65-863-4	150W LED Area Light Type IV	150	277-480	5000K	19736	L:20.71" W:12.40" H:3.11"
Type V						
65-840-5	100W LED Area Light Type V	100	120-277	5000K	13793	L:20.71" W:12.40" H:3.11"
65-841-5	100W LED Area Light Type V	100	120-277	4000K	19507	L:20.71" W:12.40" H:3.11"
65-842-5	150W LED Area Light Type V	150	120-277	5000K	19736	L:20.71" W:12.40" H:3.11"
65-843-5	150W LED Area Light Type V	150	120-277	5000K	19736	L:20.71" W:12.40" H:3.11"
65-860-5	100W LED Area Light Type V	100	277-480	4000K	13793	L:20.71" W:12.40" H:3.11"
65-861-5	100W LED Area Light Type V	100	277-480	5000K	13793	L:20.71" W:12.40" H:3.11"
65-862-5	150W LED Area Light Type V	150	277-480	4000K	19507	L:20.71" W:12.40" H:3.11"
65-863-5	150W LED Area Light Type V	150	277-480	5000K	19736	L:20.71" W:12.40" H:3.11"

Specifications



Certifications



*Consult Satco or visit www.satco.com for an up-to-date dimmer compatibility list. See warranty for details.

200W LED AREA LIGHTS



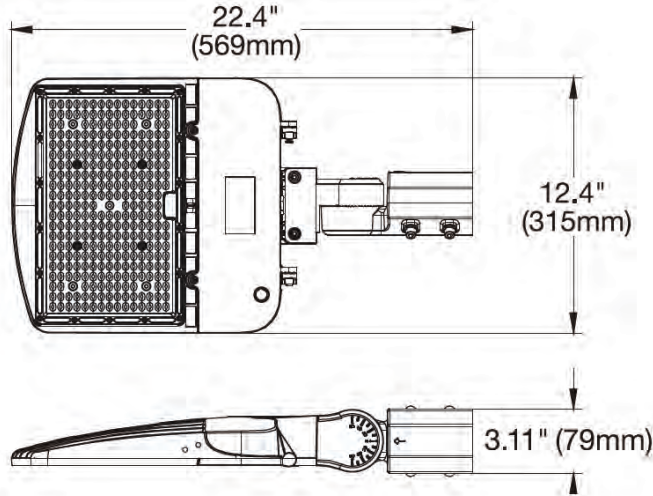
Features:

- Bronze Powder Coated Finish for All Weather Durability
- 0-10V Dimming*
- Built-In 4KV Surge Protection
- IP65
- Rated 50,000 Hours Life
- 5 Year warranty



200W LED AREA LIGHTS

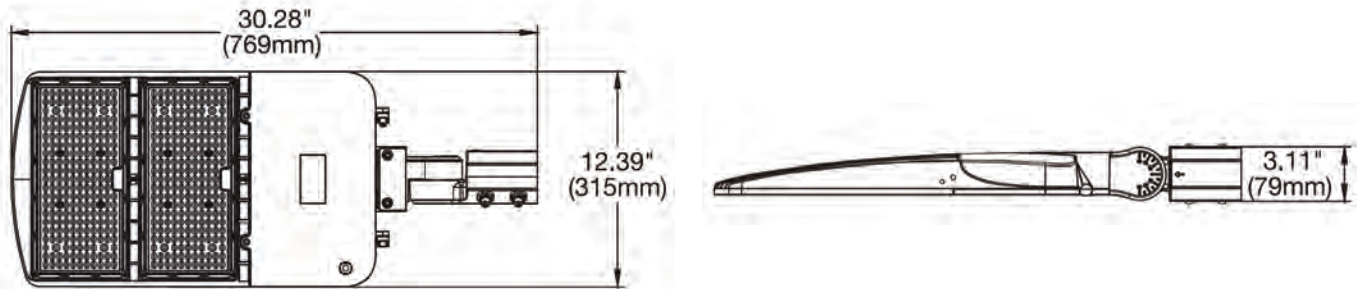
Dimensional 120-277V



Photocells, Sensors & Surge Suppression Accessories:

- 86/221: Photocell For 120-277V Versions
- 86/223: Photocell For 277-480V Versions
- 86/227: PIR Sensor 120-277V
- 86/228: MW Sensor 120-277V
- 86/226: 12-24V PIR Sensor 277-480V
- 86/224: 10KV Surge Suppressor 120-277V
- 86/225: 10KV Surge Suppressor 277-480V

Dimensional 277-480V



Item	Description	Watts	Volts	CCT	Lumens	Dimensions
Type III						
65-844	200W LED Area Light Type III	200	120-277	4000K	26051	L:22.40" W:14.40" H:3.11"
65-845	200W LED Area Light Type III	200	120-277	4000K	26536	L:22.40" W:14.40" H:3.11"
65-864	200W LED Area Light Type III	200	277-480	4000K	26051	L:30.28" W:12.39" H:3.11"
65-865	200W LED Area Light Type III	200	277-480	5000K	26536	L:30.28" W:12.39" H:3.11"
Type IV						
65-844-4	200W LED Area Light Type IV	200	120-277	4000K	26051	L:22.40" W:14.40" H:3.11"
65-845-4	200W LED Area Light Type IV	200	120-277	4000K	26536	L:22.40" W:14.40" H:3.11"
65-864-4	200W LED Area Light Type IV	200	277-480	4000K	26051	L:30.28" W:12.39" H:3.11"
65-865-4	200W LED Area Light Type IV	200	277-480	5000K	26536	L:30.28" W:12.39" H:3.11"
Type V						
65-844-5	200W LED Area Light Type V	200	120-277	4000K	26051	L:22.40" W:14.40" H:3.11"
65-845-5	200W LED Area Light Type V	200	120-277	4000K	26536	L:22.40" W:14.40" H:3.11"
65-864-5	200W LED Area Light Type V	200	277-480	4000K	26051	L:30.28" W:12.39" H:3.11"
65-865-5	200W LED Area Light Type V	200	277-480	5000K	26536	L:30.28" W:12.39" H:3.11"

*Consult Satco or visit www.satco.com for an up-to-date dimmer compatibility list. See warranty for details.

Product sheet NU1712

Specifications



Certifications



240W AND 300W LED AREA LIGHTS

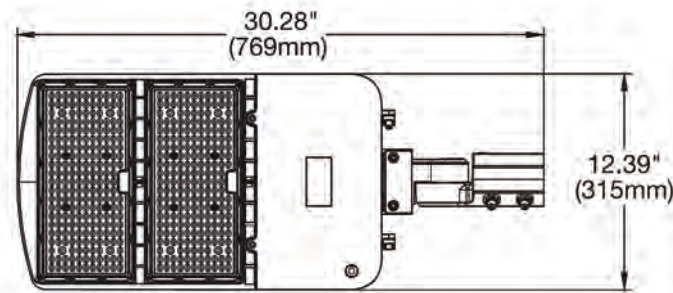


Features:

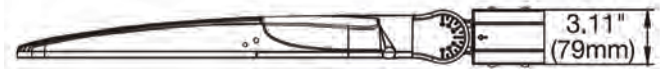
- Bronze Powder Coated Finish for All Weather Durability
- 0-10V Dimming*
- Built-In 4KV Surge Protection
- IP65
- 50,000 Hours Life
- 5 Year warranty



240W AND 300W LED AREA LIGHTS



Dimensional



Item	Description	Watts	Volts	CCT	Lumens	Dimensions
Type III						
65-846	240W LED Area Light Type III	240	120-277	4000K	31481	L:30.28" W:12.39" H:3.11"
65-847	240W LED Area Light Type III	240	120-277	5000K	32585	L:30.28" W:12.39" H:3.11"
65-848	300W LED Area Light Type III	300	120-277	4000K	39815	L:30.28" W:12.39" H:3.11"
65-849	300W LED Area Light Type III	300	120-277	5000K	38988	L:30.28" W:12.39" H:3.11"
65-866	240W LED Area Light Type III	240	277-480	4000K	31481	L:30.28" W:12.39" H:3.11"
65-867	240W LED Area Light Type III	240	277-480	5000K	32585	L:30.28" W:12.39" H:3.11"
65-868	300W LED Area Light Type III	300	277-480	4000K	39815	L:30.28" W:12.39" H:3.11"
65-869	300W LED Area Light Type III	300	277-480	5000K	38988	L:30.28" W:12.39" H:3.11"
Type IV						
65-846-4	240W LED Area Light Type IV	240	120-277	4000K	31481	L:30.28" W:12.39" H:3.11"
65-847-4	240W LED Area Light Type IV	240	120-277	5000K	32585	L:30.28" W:12.39" H:3.11"
65-848-4	300W LED Area Light Type IV	300	120-277	4000K	39815	L:30.28" W:12.39" H:3.11"
65-849-4	300W LED Area Light Type IV	300	120-277	5000K	38988	L:30.28" W:12.39" H:3.11"
65-866-4	240W LED Area Light Type IV	240	277-480	4000K	31481	L:30.28" W:12.39" H:3.11"
65-867-4	240W LED Area Light Type IV	240	277-480	5000K	32585	L:30.28" W:12.39" H:3.11"
65-868-4	300W LED Area Light Type IV	300	277-480	4000K	39815	L:30.28" W:12.39" H:3.11"
65-869-4	300W LED Area Light Type IV	300	277-480	5000K	38988	L:30.28" W:12.39" H:3.11"
Type V						
65-846-5	240W LED Area Light Type V	240	120-277	4000K	31481	L:30.28" W:12.39" H:3.11"
65-847-5	240W LED Area Light Type V	240	120-277	5000K	32585	L:30.28" W:12.39" H:3.11"
65-848-5	300W LED Area Light Type V	300	120-277	4000K	39815	L:30.28" W:12.39" H:3.11"
65-849-5	300W LED Area Light Type V	300	120-277	5000K	38988	L:30.28" W:12.39" H:3.11"
65-866-5	240W LED Area Light Type V	240	277-480	4000K	31481	L:30.28" W:12.39" H:3.11"
65-867-5	240W LED Area Light Type V	240	277-480	5000K	32585	L:30.28" W:12.39" H:3.11"
65-868-5	300W LED Area Light Type V	300	277-480	4000K	39815	L:30.28" W:12.39" H:3.11"
65-869-5	300W LED Area Light Type V	300	277-480	5000K	38988	L:30.28" W:12.39" H:3.11"

*Consult Satco or visit www.satco.com for an up-to-date dimmer compatibility list. See warranty for details.

Product sheet NU1712

Specifications



Certifications



SPECIAL FEATURES



Lumileds 2835R Chips & Advanced Optics for Superior Performance



Advancedly engineered for maximum thermal dissipation to ensure long lasting life and performance.

High performance meets rugged, all weather tough, design. Using high quality build materials such as Lumileds chips and Sosen drivers, these fixtures are built to last. Advanced thermal consideration and heat dissipation is at the core of the design. Engineered with integrated respirators to balance air pressure, integrated 4KV surge protection, and seismically 3G vibration tested, there is not much these fixtures cannot handle.

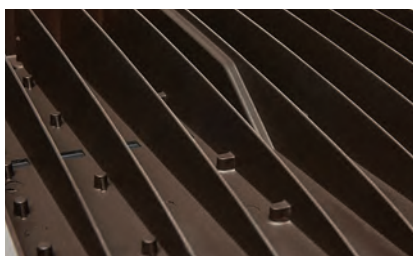
Offering a full suite of mounting accessories including innovative extended slip-fitter and fixed arm mounts with integrated junction boxes; photocells, PIR & MW sensors, additional add on surge suppression and cutoff shields, these fixtures will meet the needs of any type III application.

SPECIAL FEATURES



INTEGRATED RESPIRATOR

Integrated respirators help to balance air pressure and prevent humidity build-up.



FINNED, HEAT SINK DESIGN

Finned, Heat Sink Design allows for better performance and heat dissipation.



SLIP-FITTER ADJUSTABLE MOUNTING

Fixtures come standard with a 2 3/8" slip-fitter adjustable mount with 90 degree up or down articulation.

HEAVY DUTY HARDWARE & DIE-CASTING, A RUGGED BUILD TO WITHSTAND HARSH OUTDOOR ENVIRONMENTS



MOUNTING OPTIONS & ACCESSORIES



Extended Slip-Fitter Mount
with Sensor Knockouts
65/875



100W & 150W



Universal Mount with 2 3/8"
Slip-Fitter Mount or Direct Mount
for Square & round Poles
65/870



200W

*200W 277-480V have the same footprint as the 240W & 300W versions to accommodate the larger drivers.



Direct Mount for
Square & Round Poles.
65/871



Trunnion
65/872

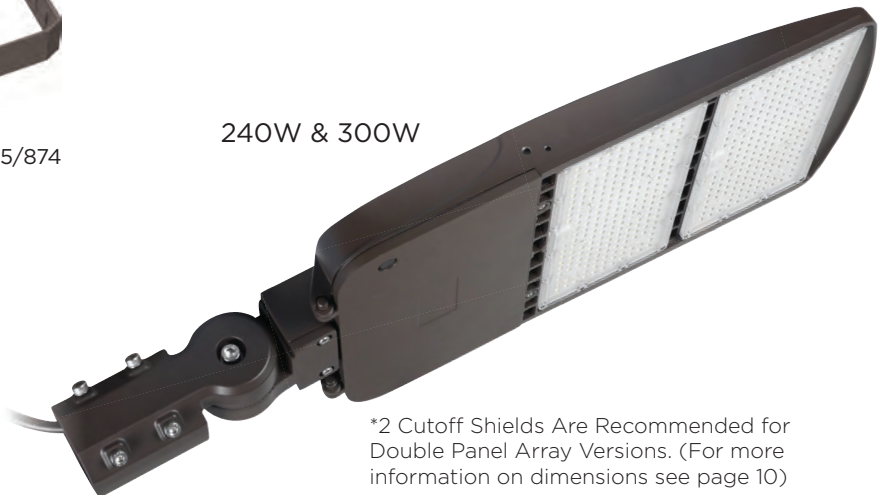


Yoke
65/873 & 65/874

240W & 300W



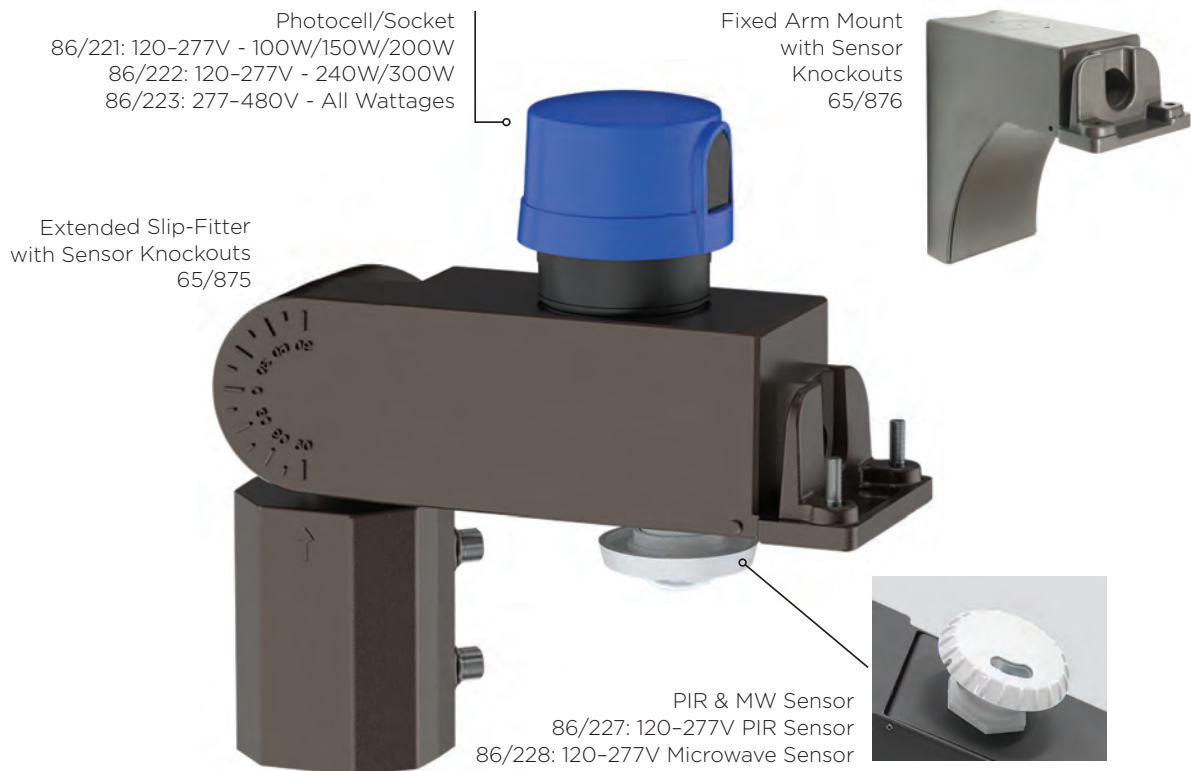
*Cutoff Shield
65/877 & 65/878



*2 Cutoff Shields Are Recommended for Double Panel Array Versions. (For more information on dimensions see page 10)

MOUNTING OPTIONS & ACCESSORIES

Innovative Mounting Accessories with Knockouts & Integrated Junction Boxes For Greater Ease Of Installation



Item #	Description	Feature	Pack
65-870	Universal Mount	Direct & Slip-Fitter Mount Bronze	8
65-871	Direct Mount	Square/Round Pole Mount Bronze	8
65-872	Trunnion Mount	Bronze Finish	8
65-873	Yoke Mount	100W/150W/200W Bronze	8
65-874	Yoke Mount	240W/300W Bronze	8
65-875	Ext Slip-Fitter	With Sensor Knockouts Bronze	8
65-876	Fixed Arm Mount	With Sensor Knockouts Bronze	8
65-877	Cutoff Shield	Bronze - 100W/150W/240W/300W & 200W 277-480V	8
65-878	Cutoff Shield	Bronze - 200W/100-277V & 100-347V	8
86-221	Photocell/Socket	120-277V For 100W/200W	50
86-222	Photocell/Socket	120-277V For 240W/300W	50
86-223	Photocell/Socket	277-480V	50
86-224	Surge Suppressor	10kV-120-277V	50
86-225	Surge Suppressor	10kV-277-480V	50
86-226	12-24V PIR Sensor	277-480V	50
86-227	PIR Sensor	100-277V	50
86-228	Microwave Sensor	100-277V	50

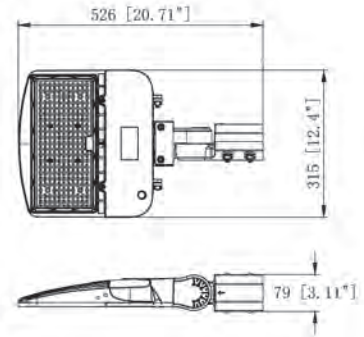
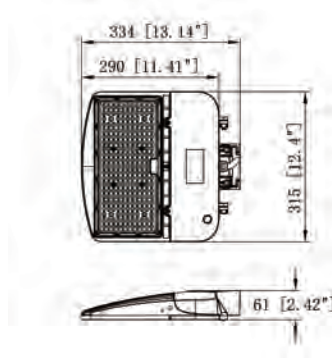
Product sheet NU1712

PRODUCT DIMENSIONS WITH ALTERNATE MOUNTING OPTIONS

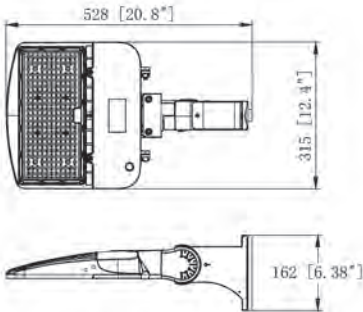
100W & 150W

A full assortment of mounting accessories to meet any applications needs.

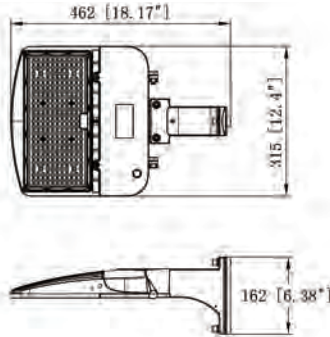
2 3/8" Slip-Fitter (Included)



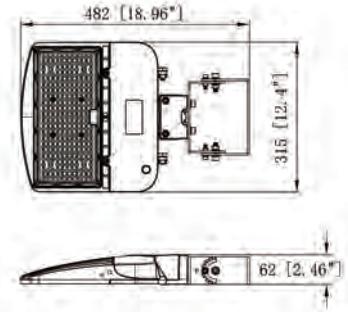
65/870
Universal Mount



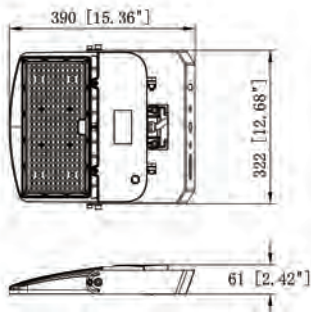
65/871
Direct Mount



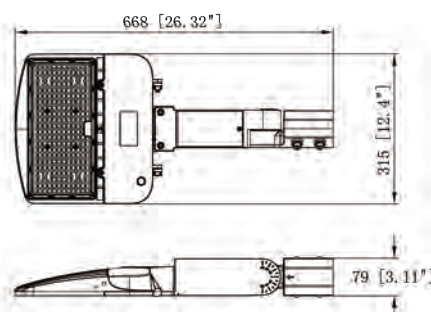
65/872
Trunnion Mount



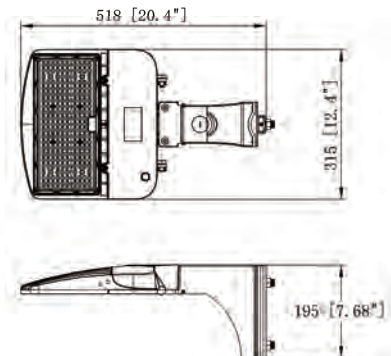
65/873
Yoke Mount



65/875
Extended 2 3/8" Slip-Fitter with knockouts and integrated junction box.



65/876
Fixed Arm Mount with Knockouts and integrated junction box.



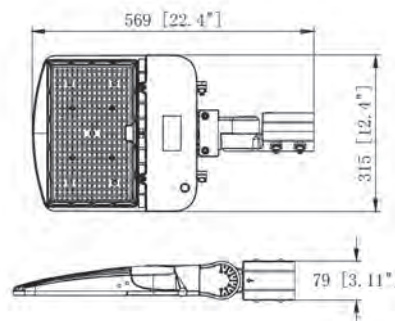
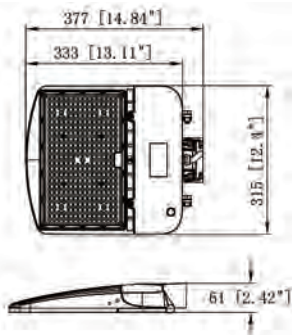
PRODUCT DIMENSIONS WITH ALTERNATE MOUNTING OPTIONS

200W

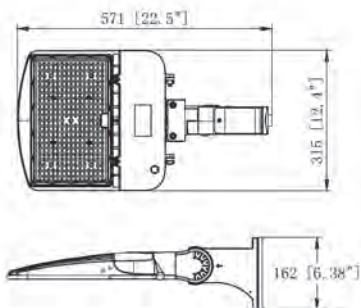
Innovative mounting accessories with Knockouts & Integrated Junction Boxes for Greater Ease Of Installation.

*200W 277-480V have the same footprint as the 240W & 300W Versions to accommodate the larger drivers.

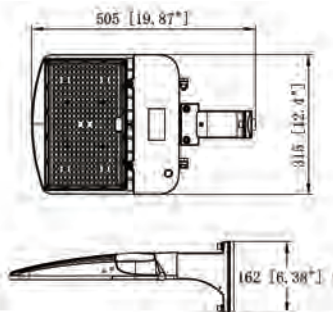
2 3/8" Slip-Fitter (Included)



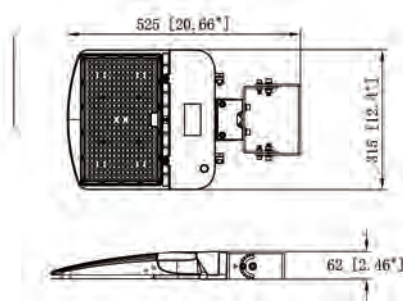
65/870
Universal Mount



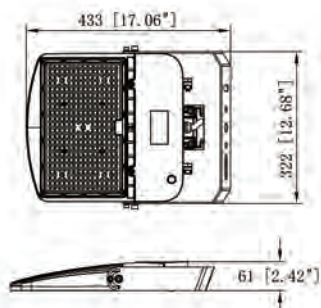
65/871
Direct Mount



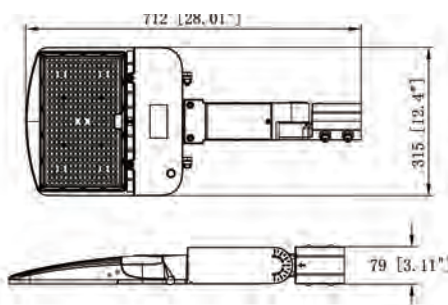
65/872
Trunnion Mount



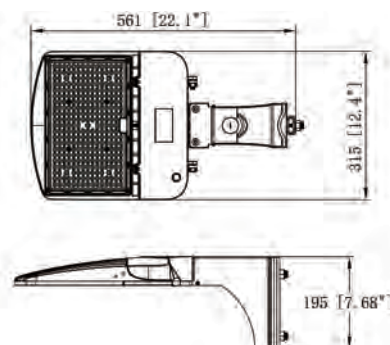
65/873
Yoke Mount



65/875
Extended 2 3/8" Slip-Fitter with knockouts and integrated junction box.



65/876
Fixed Arm Mount with Knockouts and integrated junction box.



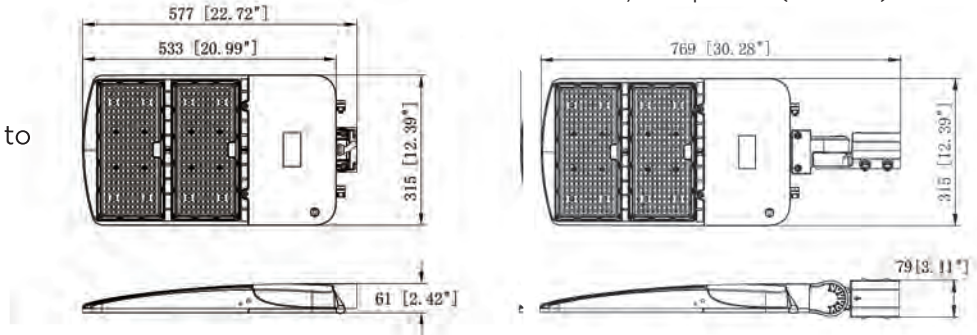
PRODUCT DIMENSIONS WITH ALTERNATE MOUNTING OPTIONS

240W & 300W

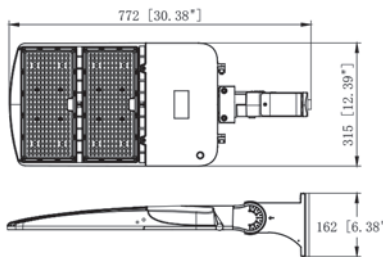
(Also 200W 277V-480V)

Cutoff shields are also available to eliminate light trespass.

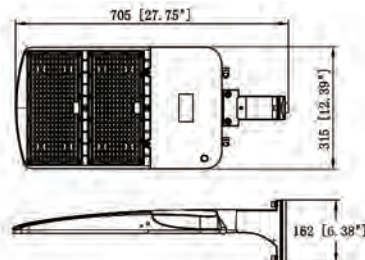
2 3/8" Slip-Fitter (Included)



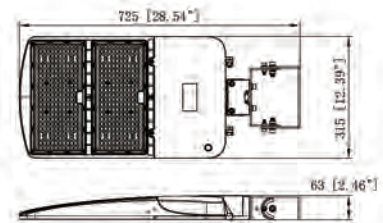
65/870
Universal Mount



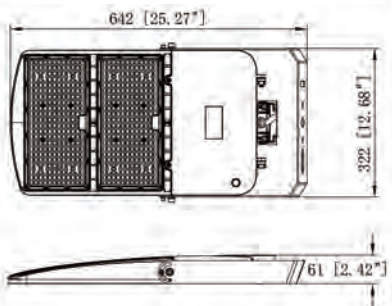
65/871
Direct Mount



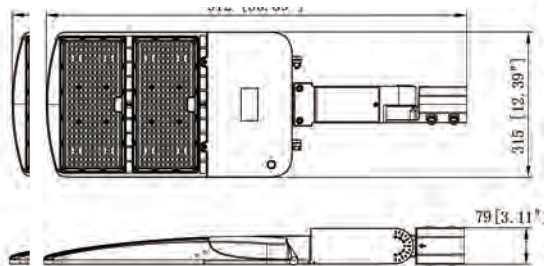
65/872
Trunnion Mount



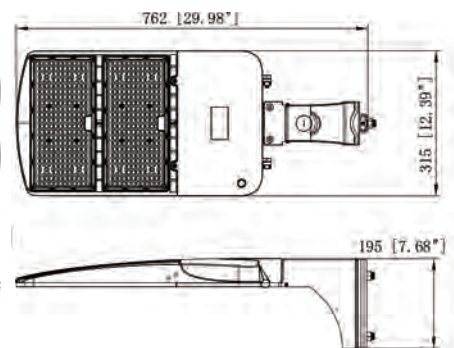
65/874
Yoke Mount



65/875
Extended 2 3/8" Slip-Fitter with knockouts and integrated junction box.



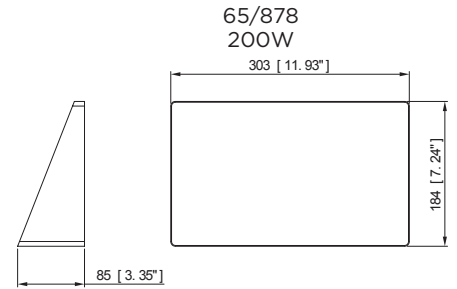
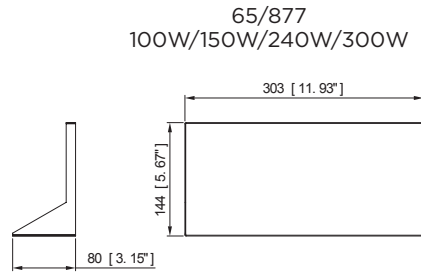
65/876
Fixed Arm Mount with Knockouts and integrated junction box.



PRODUCT DIMENSIONS WITH ALTERNATE MOUNTING OPTIONS

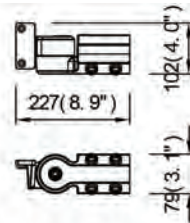
CUT-OFF SHIELD

- 65-877 for 100W/150W/240W/300W and 200W 277-480V versions.
- 65-878 for use with 200W 120-277V and 120-347V versions.

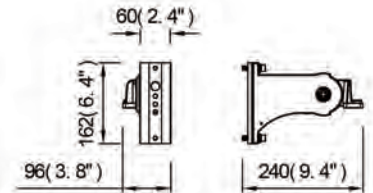


MOUNTING ACCESSORIES

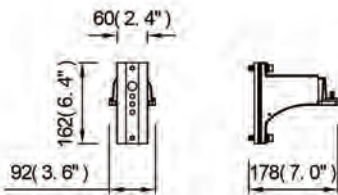
Included 2 3/8" Slip-Fitter



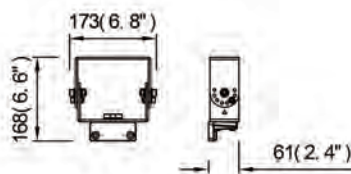
65/870
Universal Mount



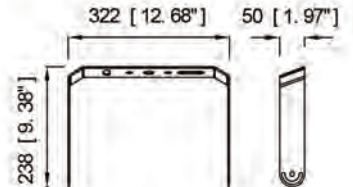
65/871
Direct Mount



65/872
Trunnion Mount



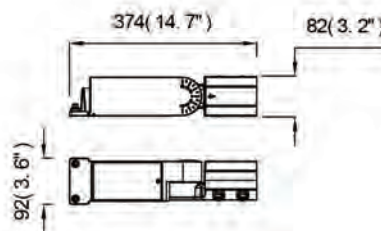
65/873 Yoke Mount
for use with 100W/150W/200W



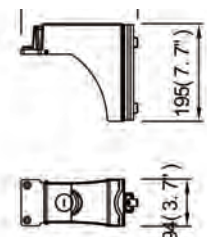
65/874 Yoke Mount
for use with 240W/300W



65/875
Extended 2 3/8" Slip-Fitter with knockouts and integrated junction box.



65/876
Fixed Arm Mount with Knockouts and integrated junction box.



ADJUSTABLE AREA LIGHT POST TOP LED



Features:

- Adjustable 0° - 90°
- 3K/4K/5K CCT Selectable
- 35, 55, 75, 100 wattages
- IK08 Impact Rated
- IP65 Rated
- Bronze Powder Coated Finish
- 5 Year Warranty



ColorQuick

Selectable Color Technology

Switch to/from the following CCT



ADJUSTABLE AREA LIGHT POST TOP LED



DIMENSIONS

Item	(A) Height	(B) Width	Weight (Lbs)
65-890	20.59"	17.91"	18.5
65-891	20.59"	17.91"	18.5
65-892	20.59"	17.91"	18.5
65-893	20.59"	17.91"	18.5

*Fitter: 3"

* Dark Sky Compliant when angled at 0° horizontal plane (35W & 55W)

Item	Description	Watts	Efficacy	Lumens	Surge Protection Rating	Pack
65-890*	LED 35W Post Top	35	Up to 127 LPW	4060-4640	2kV	1
65-891*	LED 55W Post Top	55	Up to 136 LPW	5600-6400	2kV	1
65-892	LED 75W Post Top	75	Up to 135 LPW	8400-9600	6kV	1
65-893	LED 100W Post Top	100	Up to 135 LPW	12000-13500	6kV	1

Optional Accessories

86-221	Photocell NEMA Socket; 120-277V	50
86-223	Photocell NEMA Socket; 277-480V	50

Specifications



Certifications



*Dark Sky Compliant when angled at 0° horizontal plane and set to 3000K

Product sheet NU1767

AREA LIGHT



Features:

- CCT Selectable - 3000K/4000K/5000K
- 29, 40W and 60W Options
- NEMA Type 5 Lens Distribution
- Photo Control - On at Dusk/Off at Dawn
- Die-Cast Aluminum Body
- UV Stabilized Powder Coated Finish
- Gray or Bronze finish
- Operating Temperature:
-40°C to 50°C (-40°F to 122°F)
- 5 Year Warranty



ColorQuick™

Selectable Color Technology

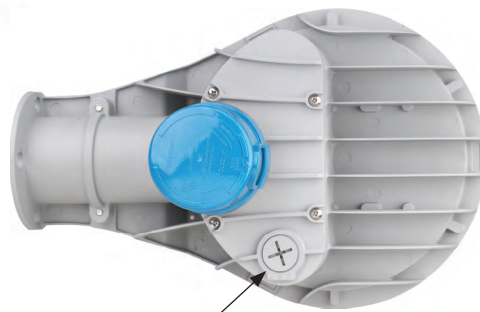
Switch to/from the following CCT



AREA LIGHT



Type 5 light distribution



Access the CCT selection switch by removing the knockout cap

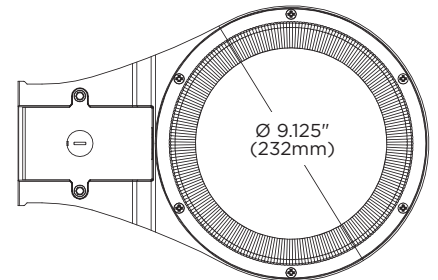
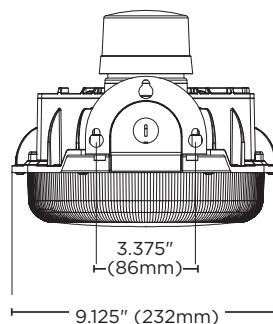
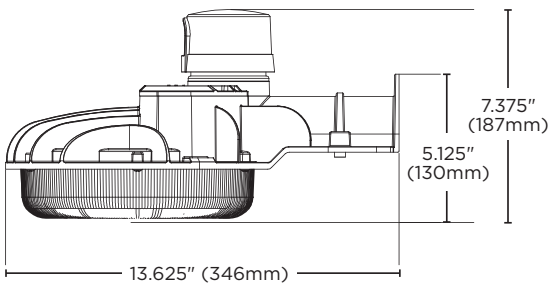
Accessories



65-687
Mounting Arm



65-688
Photocell Shorting Cap



Item	Description	Watts	CCT Selectable	Lumens	Pack
65-681	29W Area Light W/Photocell - Gray	29	3000K/4000K/5000K	4060-4640	2
65-682	40W Area Light W/Photocell - Gray	40	3000K/4000K/5000K	5600-6400	2
65-683**	60W Area Light W/Photocell - Gray	60	3000K/4000K/5000K	8400-9600	2
65-684	29W Area Light W/Photocell - Bronze	29	3000K/4000K/5000K	4060-4640	2
65-685	40W Area Light W/Photocell - Bronze	40	3000K/4000K/5000K	5600-6400	2
65-686**	60W Area Light W/Photocell - Bronze	60	3000K/4000K/5000K	8400-9600	2
Accessories					
65-687	21" Aluminum Anodized Arm				8
65-688	Photocell Shorting Cap				100

Consult Satco or visit www.satco.com for an up-to-date dimmer compatibility list. See warranty for details.

Product sheet NU1645

**4kV Surge Protection

Specifications

CCT SELECTABLE	70 CRI	5000 K	120-277V
1-10V DIMMING	WET LOCATION	50,000 HOURS	2KV SURGE PROTECTION
4KV SURGE PROTECTION	IP 65		

Certifications

UL CERTIFIED	DLC LISTED PREMIUM	FC	RoHS COMPLIANT
--------------	--------------------	----	----------------

POLYCARBONATE CARPORT/AREA LIGHT

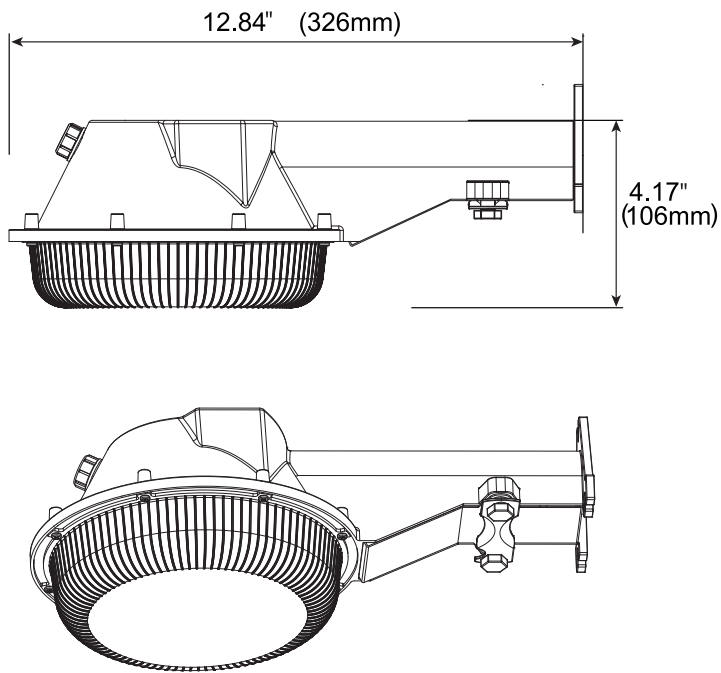


Features:

- Built-In Photocell with Cover
- 4000K and 5000K Options
- Rugged Polycarbonate Construction
- Impact-Resistant Lens
- Black Finish
- 90° Beam Angle
- Operating Temperature:
-30°C to 50°C (-22°F to 122°F)
- IP65
- 5 Year Warranty



POLYCARBONATE CARPORT/AREA LIGHT



Accessories



65-687
Mounting Arm

Item	Description	CCT	Lumens	Pack
65-244	Area Light w/Photocell - Black	4000K	2250	2
65-245	Area Light w/Photocell - Black	5000K	2250	2
Accessories				
65-687	21" Aluminum Anodized Arm			8

Product sheet NU1534

Specifications



Certifications



INDOOR/OUTDOOR LED GOOSENECK FIXTURES



Features:

- 3000K/4000K/5000K Selectable
- 30W/40W/50W Selectable
- Integrated Photocell with On/Off Switch
- 0-10V Dimming*
- 2KV Surge Protection
- Die Cast Aluminum with UV Powder Coated finish
- IP65 Rated
- 50,000 Hours



INDOOR/OUTDOOR LED GOOSENECK FIXTURES

65-660
White
includes 16" mounting arm

65-661
Black
includes 16" mounting arm

65-662
Bronze
includes 16" mounting arm



Photo cell control, wattage & CCT selection switches are located behind waterproof 1/2" knockout



Adjustable Hood



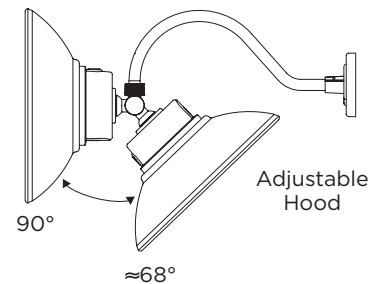
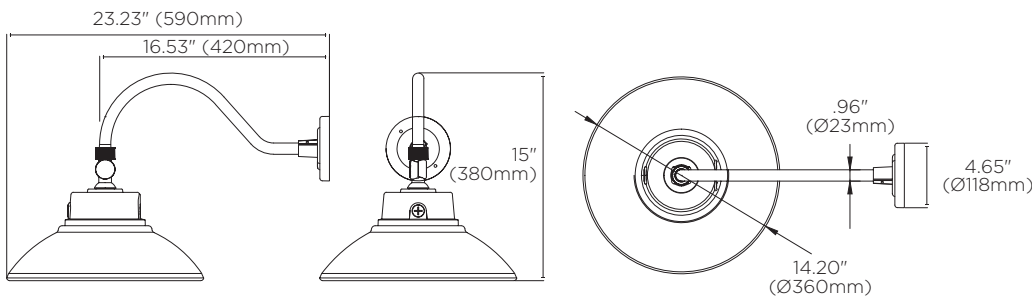
24" Accessory Arms Available



65-657
White

65-658
Black

65-659
Bronze



Item	Description	Wattage Selectable	CCT Selectable	Lumens	UPC	Pk
65-660	LED Gooseneck White Finish	30W/40W/50W	3000K/4000K/5000K	3300-5500	045923656606	1
65-661	LED Gooseneck Black Finish	30W/40W/50W	3000K/4000K/5000K	3300-5500	045923656613	1
65-662	LED Gooseneck Bronze Finish	30W/40W/50W	3000K/4000K/5000K	3300-5500	045923656620	1
65-657	24" Accessory Arm White Finish	--	--	--	045923653445	15
65-658	24" Accessory Arm Black Finish	--	--	--	045923653452	15
65-659	24" Accessory Arm Bronze Finish	--	--	--	045923656590	15

*Consult Satco or visit www.satco.com for an up-to-date dimmer compatibility list. See warranty for details.

Dark Sky Compliant when installed with head in locked downward facing position and set at 3000K

Product sheet NU1711

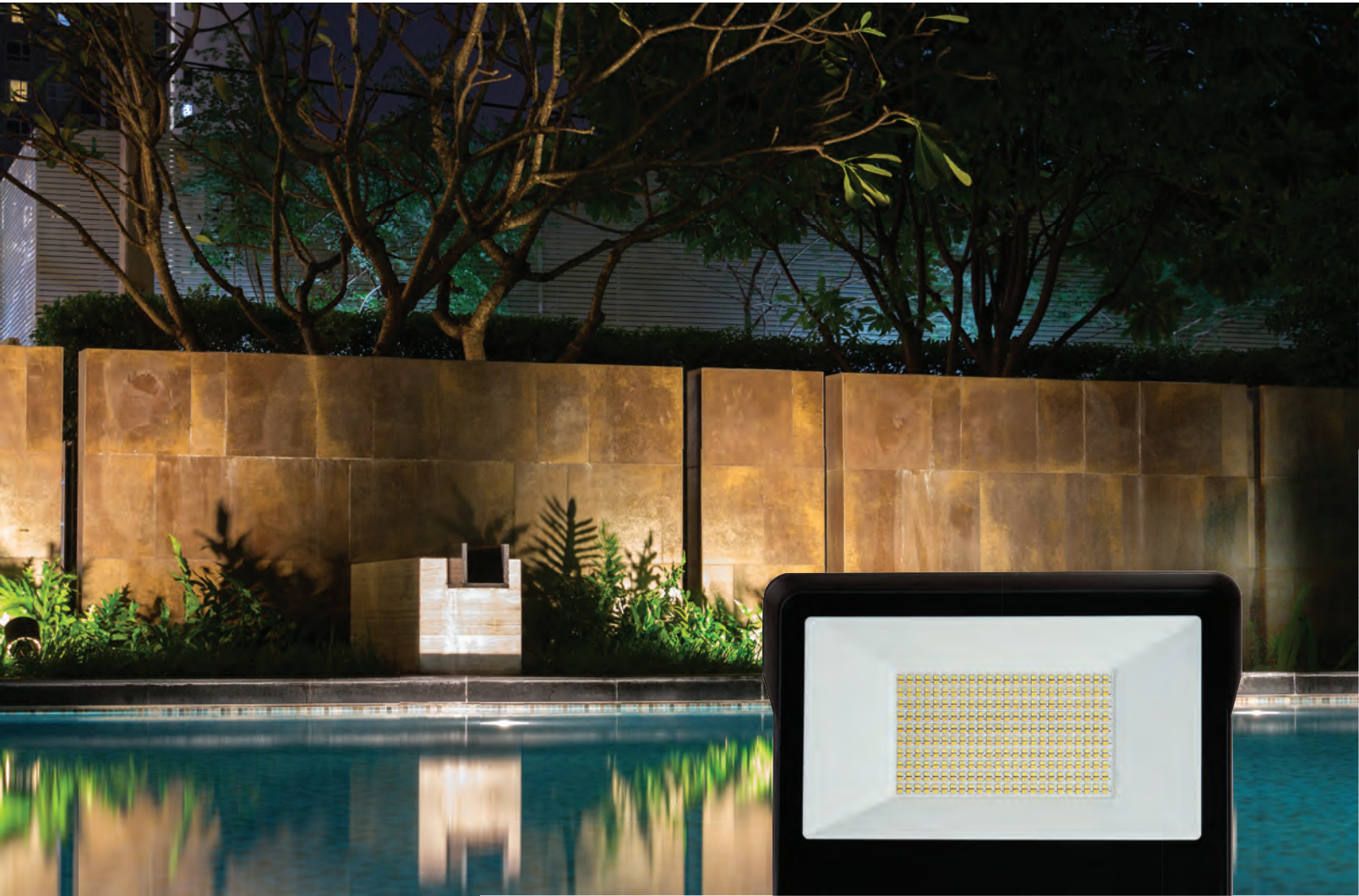
Specifications

- ColorQuick
- WATTAGE SELECTABLE
- 0-10V DIMMING
- 120-277V
- 80 CRI
- WET LOCATION
- 50,000 HOURS
- 5 Year Warranty
- 2KV SURGE PROTECTION
- IP 65

Certifications



FLOOD LIGHTS



Features:

- 3000K/4000K/5000K
CCT selectable
- Wattage Selectable
- Integrated Photocell (By-Passable)
- Tempered Glass
- 65-541 IK07,
65-542 and 65-543 IK08
- 0-10V Dimmable
- IP66
- 50,000 hrs
- 5 Year warranty



FLOOD LIGHTS

Item	Watts	CCT	Lumens	Beam Angle	Kilovolt	Pack
65-541	15W/25W/35W	3000K/4000K/5000K	1800-4900	150x135	4KV	6
65-542	45W/60W/80W	3000K/4000K/5000K	5400-11200	150x140	6KV	4
65-543	100W/125W/150W	3000K/4000K/5000K	12000-21000	150x140	6KV	2

ACCESSORIES

Item	Description	Finish	Pack
65-544	Trunnion Mount for 65-541 and 65-542	Bronze	18
65-545	Trunnion Mount for 65-543	Bronze	4
65-546	Yoke Mount for 65-541	Bronze	34
65-547	Yoke Mount for 65-542	Bronze	34
65-548	Yoke Mount for 65-543	Bronze	22
65-549	Slipfitter Mount for 65-541 and 65-542	Bronze	3



Knuckle Mount with Mounting Plate (65-542 shown)



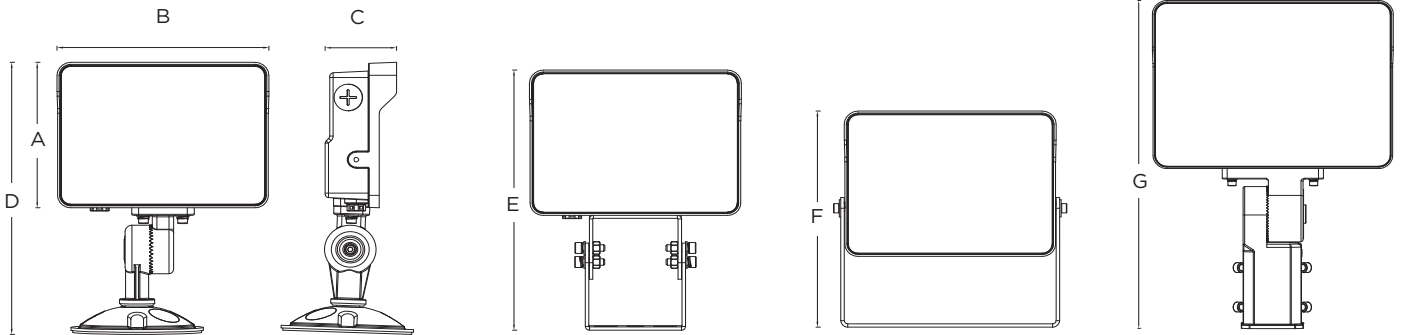
Trunnion Mount



Yoke Mount



Slipfitter Mount



DIMENSIONS

Item	(A) Length	(B) Width	(C) Depth	(D) Length with Knuckle Mount and Plate	(E) Length with Trunnion Mount	(F) Length with Yoke Mount	(G) Length with Slipfitter Mount
65-541	7.24"	9.91"	2.44"	9.9"	9.5"	7.88"	14.5"
65-542	9.65"	11.68"	3.07"	11.7"	11.2"	10.13"	16.25"
65-543	11.61"	16.84"	3.86"	-	15.2"	12.25"	16.82"

Product sheet NUI769

Specification



Certifications



This device complies with Part 15 of the FCC Rules. Operation is subject to the following two conditions: (1) this device may not cause harmful interference, and (2) this device must accept any interference received, including interference that may cause undesired operation.
Fixture may not be compatible with all dimmers.

FLOOD LIGHTS



Features:

- Low, Medium and High-Power Options Available
- Wide Angle Beam Spread
- Die-Cast Aluminum Housing
- IK08 Impact Rated Polycarbonate Optics
- Wide Range of Mounting Accessories
- Integrated Knockout for Optional Photocell on Select Fixture

70 Watt and 90 Watt with standard 1/2" knuckle mount and mounting plate (included).



150 Watt with standard 2 3/8" slip-fitter mount (included)



Mounting plate included



Slip-fitter mount included



FLOOD LIGHTS

Accessories



Yoke Mount
65-605 - 70W & 90W
65-606 - 150W



Trunnion Mount



Universal Mount
(Direct Mount & 2 3/8" Slip-fitter combo)



Direct Mount



Slip-fitter Mount



Photocell

Item	Description	Watts	Volts	Finish	CCT	Lumens	Beam	Life/Hrs	Pk
15W, 30W & 50W LED Flood Lights									
65-531*	LED 15W Flood Light	15	120-277	Bronze	3000K	1593	130°	50000	16
65-532*	LED 15W Flood Light	15	120-277	Bronze	4000K	1603	130°	50000	16
65-533*	LED 15W Flood Light	15	120-277	Bronze	5000K	1624	130°	50000	16
65-534R1	LED 30W Flood Light	30	120-277	Bronze	3000K	3404	110°	50000	8
65-535R1	LED 30W Flood Light	30	120-277	Bronze	4000K	3427	110°	50000	8
65-536R1	LED 30W Flood Light	30	120-277	Bronze	5000K	3432	110°	50000	8
65-537R1	LED 50W Flood Light	50	120-277	Bronze	3000K	5717	110°	50000	6
65-538R1	LED 50W Flood Light	50	120-277	Bronze	4000K	5778	110°	50000	6
65-539R1	LED 50W Flood Light	50	120-277	Bronze	5000K	5793	110°	50000	6

*Not 0-10V dimmable. Not DLC listed.

Item	Description	Watts	Volts	Finish	CCT	Lumens	Beam	Life/Hrs	Pk
Accessories									
65-528	Trunnion Mounting Accessory 30 and 50 Watt							Bronze	40
65-529	Yoke Mounting Accessory; 30 Watt Flood Fixture							Bronze	40
65-530	Yoke Mounting Accessory; 50 Watt Flood Fixture							Bronze	20

Item	Description	Watts	Volts	Finish	CCT	Lumens	Beam	Life/Hrs	Pk
70W, 90W & 150W LED Flood Lights									
65-615	70W LED Flood Light	70	120-277V	Bronze	4000K	9889	150°	50,000	5
65-616	70W LED Flood Light	70	120-277V	Bronze	5000K	10030	150°	50,000	5
65-617	90W LED Flood Light	90	120-277V	Bronze	4000K	12651	150°	50,000	5
65-618	90W LED Flood Light	90	120-277V	Bronze	5000K	12758	150°	50,000	5
65-619R1	150W LED Flood Light	150	120-347V	Bronze	4000K	19500	150°	50,000	1
65-620R1	150W LED Flood Light	150	120-347V	Bronze	5000K	20250	150°	50,000	1

Item	Description	Watts	Volts	Finish	CCT	Lumens	Beam	Life/Hrs	Pk
Accessories									
65-604	Trunnion Mount 70W, 90W & 150W Flood							Bronze	20
65-605	Yoke Mount 70W & 90W Flood							Bronze	20
65-606	Yoke Mount 150W Flood							Bronze	20
65-609	Slipfitter Mount 70W, 90W & 150W Flood							Bronze	8
65-610	Direct Arm Mount 70W, 90W & 150W Flood							Bronze	6
65-613	Universal Mount 70W, 90W & 150W Flood							Bronze	6
86-212	Photocell 70W, 90W & 150W Flood - Includes All Components								50

Specifications



Certifications



Specifications



Certifications

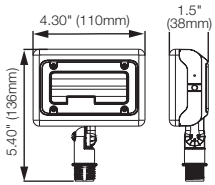


Product sheet NU1604

FLOOD LIGHTS

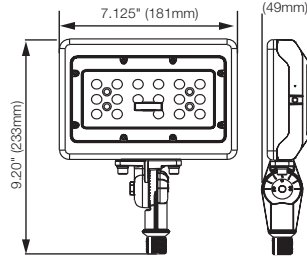
15W

With knuckle mount

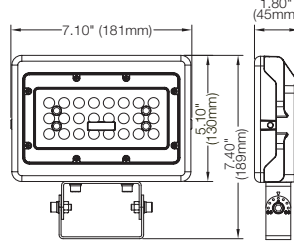


30W

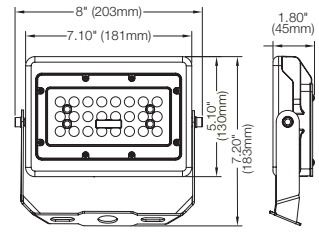
With knuckle mount



With trunnion mount

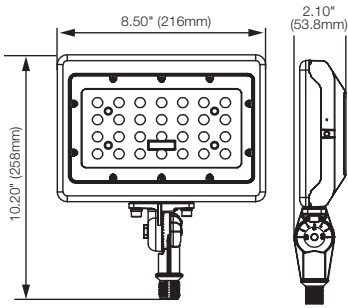


With yoke mount

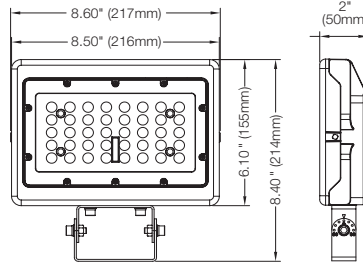


50W

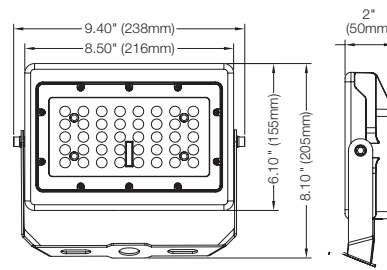
With knuckle mount



With trunnion mount

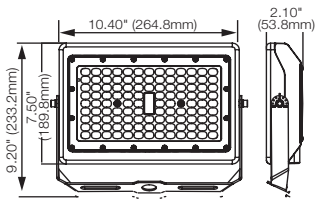


With yoke mount

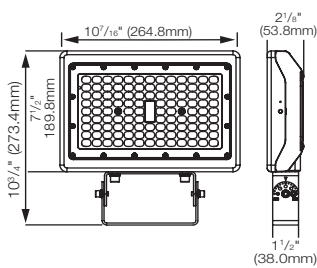


70W & 90W

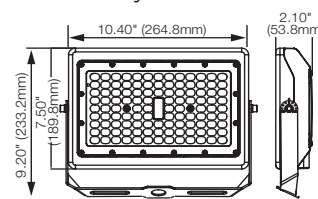
With knuckle mount



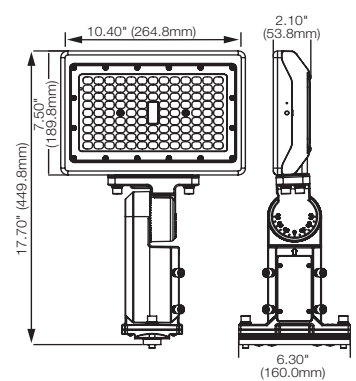
With trunnion mount



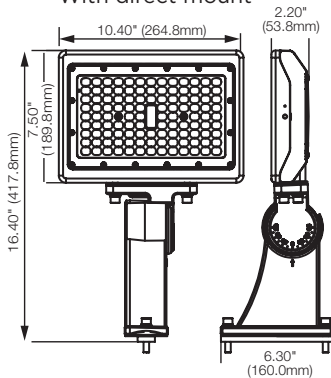
With yoke mount



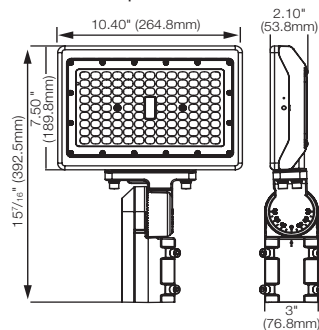
With universal mount



With direct mount



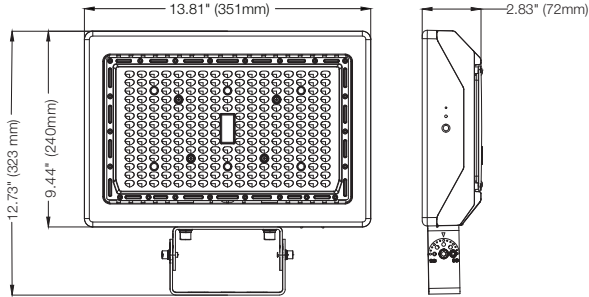
With slip-fitter mount



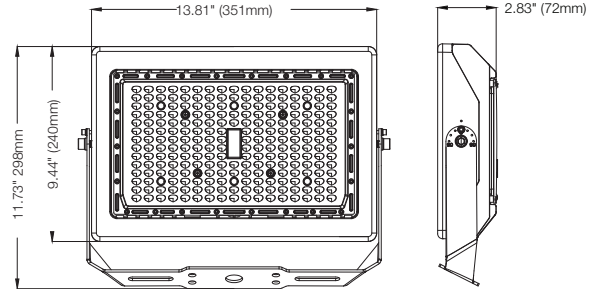
FLOOD LIGHTS

150W

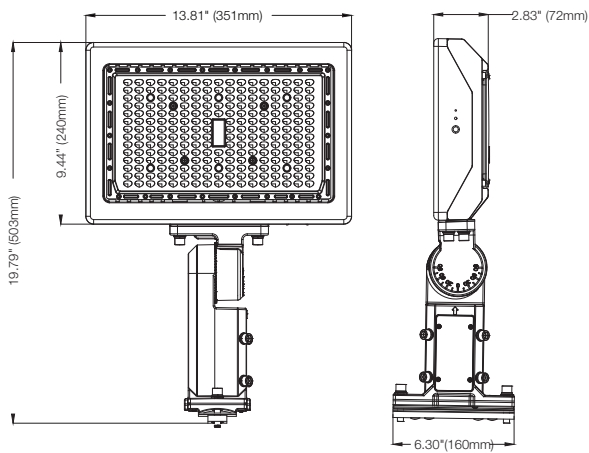
With trunnion mount



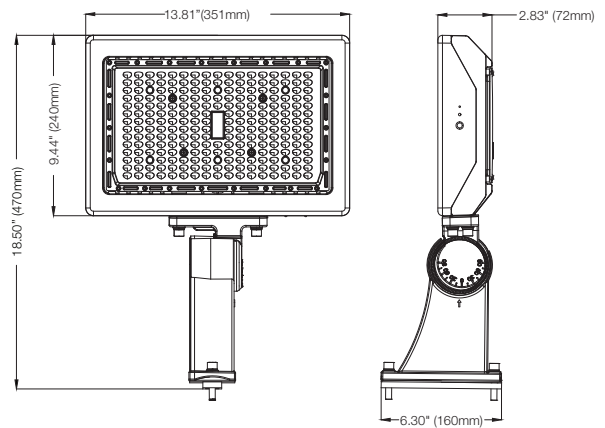
With yoke mount



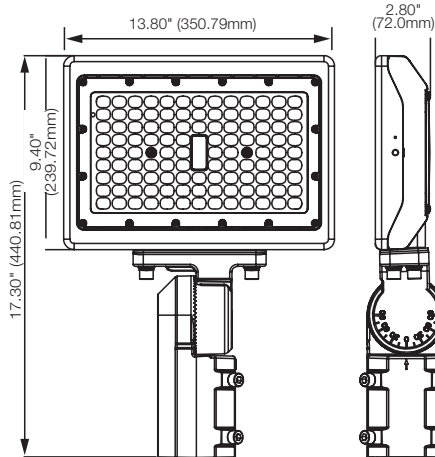
With universal mount



With direct mount



With slip-fitter mount



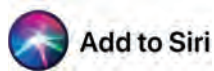
SMART LED SECURITY FLOODLIGHT CAMERA



STARFISH™
live life enlighten^d

Features:

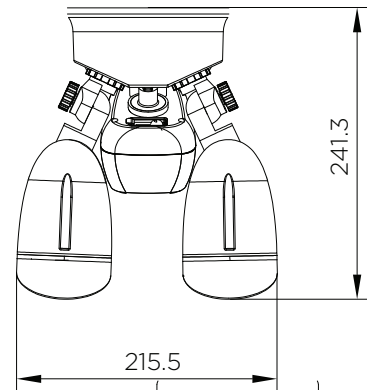
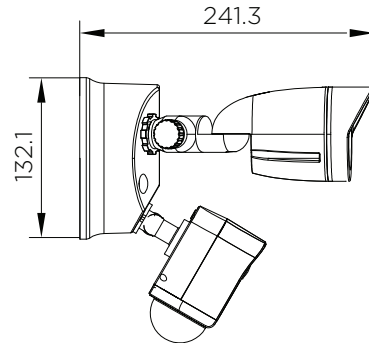
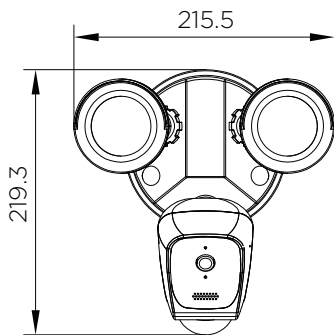
- No Monthly Subscription
- Real-Time Motion Events
- Video History & Night Vision
- Remote Access
- Adjustable Led Floodlights
- 270° Motion Detection
- 32GB SD Card Included
- IP65 Weatherproof Design
- 50,000 Hours
- 5 Year Warranty



SMART LED SECURITY FLOODLIGHT CAMERA



1080P HD Camera With 150° Viewing Angle



Item	Description	Watts	Volts	Dimensions	UPC	Pack
65-900	Security Light Camera - White	20	120-277	W 7.6 x H 10.04	045923659683	5
65-901	Security Light Camera - Black	20	120-277	W 7.6 x H 10.04	045923659690	5
65-902	Security Light Camera - Brown	20	120-277	W 7.6 x H 10.04	045923659706	5

Product sheet NUI745

Specifications

5 Year Warranty	WET LOCATION	DIMMABLE WITH APP	80 CRI
50,000 HOURS	3000 K	1900 LUMENS	50,000 HOURS

Certifications



DUAL HEAD SECURITY WITH OR WITHOUT MOTION SENSOR



Features:

- Die-cast Aluminum Body And Heads
- Impact Resistant Lenses
- Uv Stabilized Powder Coated Finish
- Recessed Junction Box Required
- 100-277V (Without Motion Sensor)
- 120V (With Motion Sensor)
- Operating Temperature:
-30°C to 50°C (-22°F to 122°F)
- 5 Year Warranty



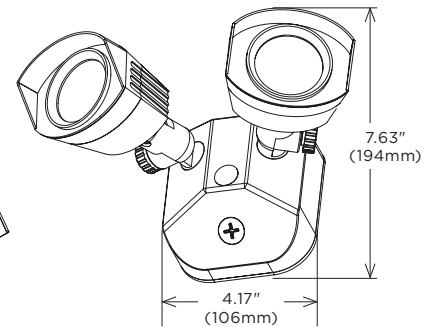
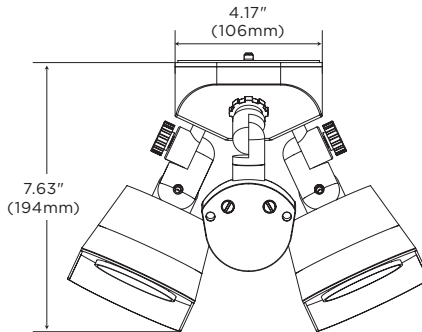
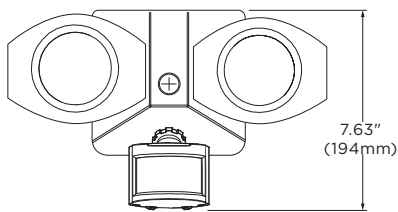
DUAL HEAD SECURITY WITH OR WITHOUT MOTION SENSOR



White (with sensor)



Bronze (no sensor)



Motion Sensor Specifications
 1 Time setting: 10 seconds to 10 minutes
 Detection angle: 180°
 Detection range: 10 feet to 60 feet
 Dusk to dawn feature
 Manual override

Item	Description	Volts	CCT	Pack
65-210	White	100-277	3000K	5
65-211	White w/Sensor	120	3000K	5
65-212	Bronze	100-277	3000K	5
65-213	Bronze w/Sensor	120	3000K	5
65-214	Black	100-277	3000K	5
65-215	Black w/Sensor	120	3000K </td <td>5</td>	5
65-216	White	100-277	4000K	5
65-217	White w/Sensor	120	4000K	5
65-218	Bronze	100-277	4000K	5
65-219	Bronze w/Sensor	120	4000K	5
65-220	Black	100-277	4000K	5
65-221	Black w/Sensor	120	4000K	5

See warranty for details.

Product sheet NUI537

Specifications

80 CRI | 20 WATTS | 1900 LUMENS | WET LOCATION

50,000 HOURS | 2KV SURGE PROTECTION

Certifications

UL CERTIFIED | ENERGY STAR | FCC | RoHS COMPLIANT

DUAL HEAD SECURITY WITH OR WITHOUT MOTION SENSOR



Features:

- Die-Cast Aluminum Body and Heads
- UV Stabilized Powder Coated Finish
- Recessed and External J-box Mounting
- 100-277V (Without Motion Sensor)
- 120V (With Motion Sensor)
- Operating Temperature:
-30°C to 50°C (-22°F to 122°F)
- 5 Year warranty



DUAL HEAD SECURITY WITH OR WITHOUT MOTION SENSOR

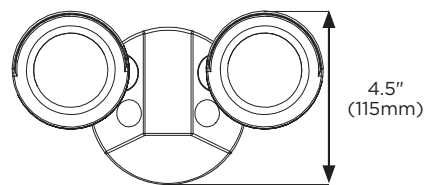
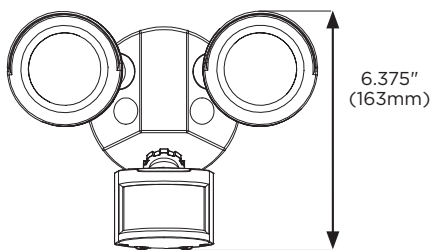
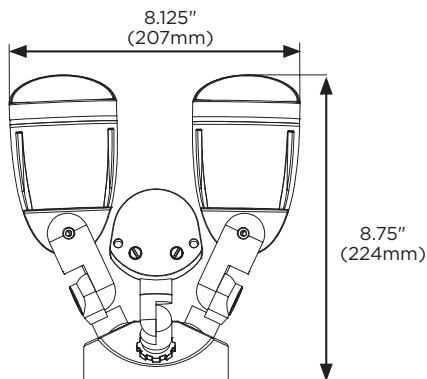


White (no sensor)



Bronze (with sensor)

Motion Sensor Specifications
 1 Time setting: 10 seconds to 10 minutes
 Detection angle: 180°
 Detection range: 10 feet to 60 feet
 Dusk to dawn feature
 Manual override



Item	Description	Volts	CCT	Pack
65-710	White	100-27	3000K	5
65-711	White w/Sensor	120	3000K	5
65-712	Bronze	100-277	3000K	5
65-713	Bronze w/Sensor	120	3000K	5
65-714	Black	100-277	3000K	5
65-715	Black w/Sensor	120	3000K	5
65-716	White	100-277	4000K	5
65-717	White w/Sensor	120	4000K	5
65-718	Bronze	100-277	4000K	5
65-719	Bronze w/Sensor	120	4000K	5
65-720	Black	100-277	4000K	5
65-721	Black w/Sensor	120	4000K	5

See warranty for details.

Product sheet NU1643

Specifications

80 CRI	20 WATTS	1900 LUMENS	WET LOCATION
50,000 HOURS	IP 65	2KV SURGE PROTECTION	

Certifications

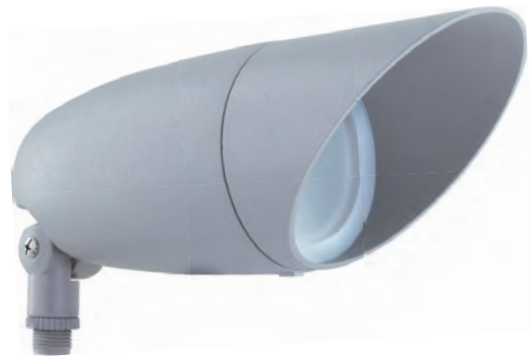
ETL US	ENERGY STAR	FC	RoHS COMPLIANT
------------------	--------------------	-----------	--------------------------

LANDSCAPE FLOODS



Features:

- 6W, 9W and 12W Options
- Dark Gray, Light Gray or Bronze finish
- Die Cast Aluminum Body
- No Transformer Required
- 1/2" Threaded Knuckle Mount
- UV Stabilized Powder Coated Finish
- 60° Beam Angle
- cULus
- 5 Year Warranty



LANDSCAPE FLOODS



6W, PAR16 Size
Bronze



9W, PAR20 Size
Dark Gray



1 Lt. PAR 16
Bronze



1 Lt. PAR 20
Light Gray



1 Lt. PAR 16
Matte Black



2 Lt. PAR 16
Dark Gray

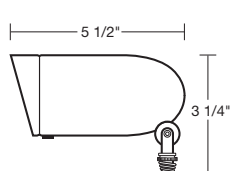


2 Lt. PAR 16
Bronze

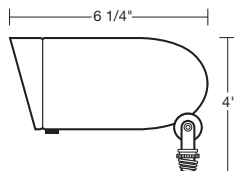


2 Lt. PAR 16
Matte Black

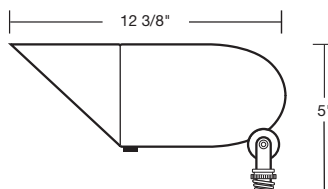
Accessories



6W PAR16 Size



9W PAR20 Size



12W PAR30 Size



2" Post
Bronze



3" Post
Light Gray



3" Post
Dark Gray



3" Post
Matte Black

Item	Description	Watts	Lumens	Pack
PAR16				
62-1197	6W Landscape Flood (PAR16 size)- Matte Black	6	640	12
62-1200	6W Landscape Flood (PAR16 size) - Bronze	6	640	12
62-1201	6W Landscape Flood (PAR16 size) - Dark Gray	6	640	12
62-1202	6W Landscape Flood (PAR16 size) - Light Gray	6	640	12
PAR20				
62-1198	9W Landscape Flood (PAR20 size)- Matte Black	9	900	12
62-1203	9W Landscape Flood (PAR20 size) - Dark Gray	9	900	12
62-1204	9W Landscape Flood (PAR20 size) - Light Gray	9	900	12
62-1205	9W Landscape Flood (PAR20 size) - Bronze	9	900	12
PAR30				
62-1199	12W Landscape Flood (PAR30 size)- Matte Black	12	1248	12
62-1206	12W Landscape Flood (PAR30 size) - Bronze	12	1240	12
62-1207	12W Landscape Flood (PAR30 size) - Dark Gray	12	1240	12
62-1208	12W Landscape Flood (PAR30 size) - Light Gray	12	1240	12
Accessories				
60-671	1 Light Die Cast Mounting Plate - Matte Black			96
60-672	2 Light Die Cast Mounting Plate - Matte Black			96
60-673	1 Light Die Cast Mounting Plate - Light Gray			96
60-674	2 Light Die Cast Mounting Plate - Light Gray			96
60-675	1 Light Die Cast Mounting Plate - Dark Gray			96
60-676	2 Light Die Cast Mounting Plate - Dark Gray			96
76-665	1 Light Die Cast Mounting Plate - Bronze			24
76-666	2 Light Die Cast Mounting Plate - Bronze			96
60-677	2" Diameter Pvc Mounting Post - Dark Gray			24
60-681	2" Diameter Mounting Post - Matte Black			24
60-682	3" Diameter Mounting Post - Matte Black			24
60-678	3" Diameter PVC Mounting Post - Dark Gray			24
60-679	2" Diameter PVC Mounting Post - Light Gray			24
60-680	3" Diameter PVC Mounting Post - Light Gray			24
76-641	3" Diameter PVC Mounting Post - Bronze			24
76-640	2" Diameter PVC Mounting Post - Bronze			24

See warranty for details.

Product sheet NU1394

Specifications

80
CRI

3000
K

120
VOLT

WET
LOCATION

50,000
HOURS

Certifications

CERTIFIED

FC

COMPLIANT

STEP LIGHTS



Features:

- Rugged Construction
- No Transformer Required
- Easy Installation*
- UV Stabilized Powder Coated Finish
- Dimmable†
- Bronze, White or Gray Finish
- Minimum Interior Box Volume of 13 Cubic Inches.
- 5 Year Warranty



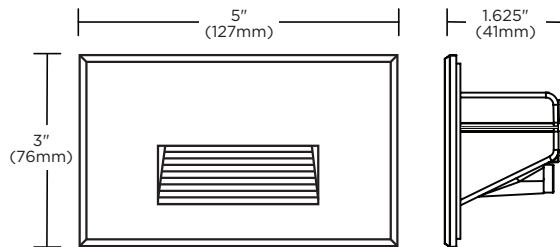
STEP LIGHTS



Horizontal Step Light White



Horizontal Step Light Gray



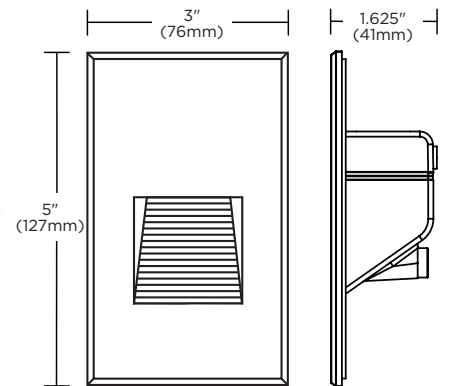
Vertical Step Light Bronze



Vertical Step Light White



Vertical Step Light Gray



Item	Description	Watts	Lumens	Pack
Vertical				
65-401	Step Light - Bronze	3	200	24
65-405	Step Light - White	3	200	24
65-409	Step Light - Gray	3	200	24
Horizontal				
65-403	Step Light - Bronze	5	407	24
65-407	Step Light - White	5	407	24
65-411	Step Light - Gray	5	407	24

*Consult Satco or visit www.satco.com for an up-to-date dimmer compatibility list.
 *Minimum interior box volume of 13 cubic inches.
 See warranty for details.

Product sheet NUI393

Specifications

80 CRI
3000 K
120 VOLT
DIMMABLE

WET LOCATION
50,000 HOURS

Certifications

UL CERTIFIED
FC
RoHS COMPLIANT

1 LIGHT UP OR DOWN OUTDOOR WALL



Features:

- Die-Cast Aluminum Body
- UV Stabilized Powder Coated Finish
- White, Black or Bronze finish
- Operating Temp: -30°C to 50°C (-22°F to 122°F)
- 40° Beam Spread
- IP65
- 5 Year Warranty

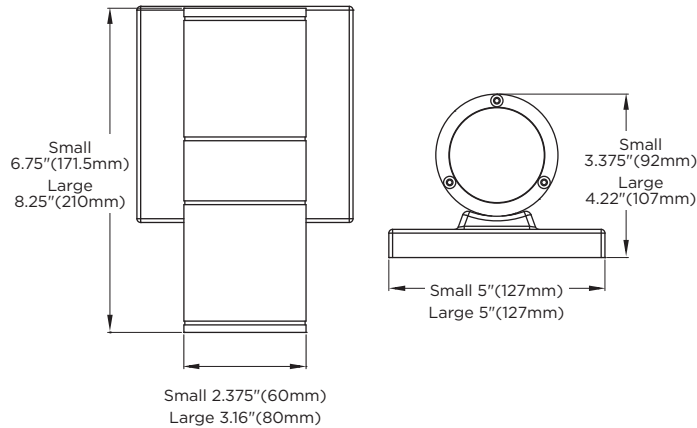


1 LIGHT UP OR DOWN OUTDOOR WALL

Large wall shown in "DOWN" position



Small wall shown in "UP" position



Item	Description	Pack
62-1137	1 Light Small Up or Down - White	10
62-1138	1 Light Small Up or Down - Black	10
62-1139	1 Light Small Up or Down - Bronze	10
62-1147	1 Light Large Up or Down - White	5
62-1148	1 Light Large Up or Down - Black	5
62-1149	1 Light Large Up or Down - Bronze	5

See warranty for details.

Product sheet NUI535

Specifications

10 WATTS	900 LUMENS	90 CRI	3000 K
120-277V	WET LOCATION	50,000 HOURS	2KV SURGE PROTECTION
UP OR DOWN	IP 65		

Certifications

UL CERTIFIED	Energy STAR	FC	RoHS COMPLIANT
------------------------	-----------------------	-----------	--------------------------

2 LIGHT UP AND DOWN OUTDOOR WALL

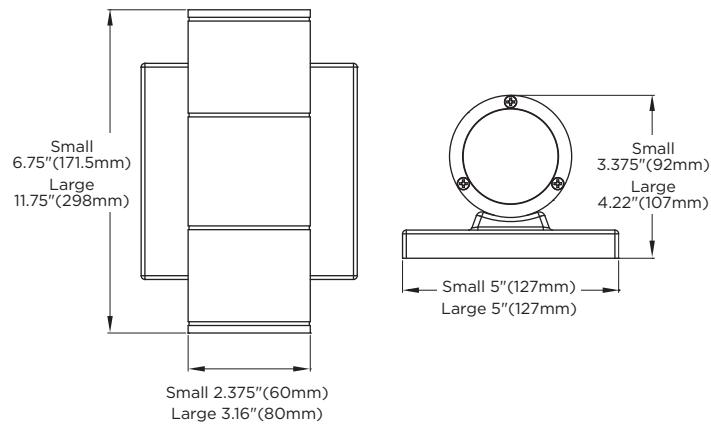


Features:

- Die-Cast Aluminum Body
- UV Stabilized Powder Coated Finish
- White, Black or Bronze finish
- 40° Beam Spread
- Operating Temp: -30°C to 50°C (-22°F to 122°F)
- IP65
- 5 Year Warranty



2 LIGHT UP AND DOWN OUTDOOR WALL



Item	Description	Watts	Lumens	Pack
62-1141R1	2 Light Small Up and Down - White	10	900	5
62-1142R1	2 Light Small Up and Down - Black	10	900	5
62-1145R1	2 Light Small Up and Down - Bronze	10	900	5
62-1143R1	2 Light Large Up and Down - White	20	1800	5
62-1144R1	2 Light Large Up and Down - Black	20	1800	5
62-1146R1	2 Light Large Up and Down - Bronze	20	1800	5

See warranty for details.

Product sheet NU136

Specifications



Certifications



BULKHEAD WALL



Features:

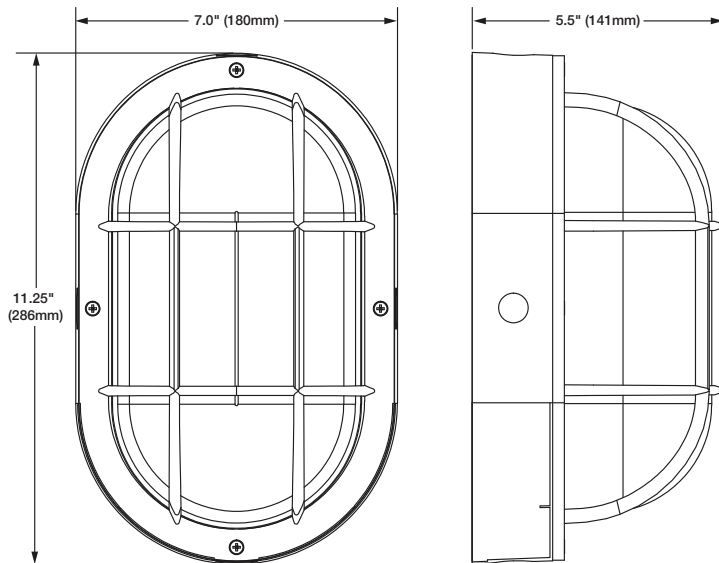
- Rugged Construction
- Die-Cast Aluminum Body
- UV Stabilized Powder Coated Finish
- (4) 1/2" Knockouts
- White or Black Finish with Frosted Glass
- Suitable for Wet Locations
- Operating Temperature:
-20°C to 40°C (-40°F to 104°F)
- 5 Year Warranty



BULKHEAD WALL



Bulkhead White



Item	Description	Lumens	Pack
65-113	Bulkhead - White	1440	2
65-114	Bulkhead - Black	1440	2

See warranty for details.

Product sheet NU1361

Specifications

20 WATTS	90 CRI	100-277V	WET LOCATION
50,000 HOURS	3KV SURGE PROTECTION	IP 65	

Certifications

ETL LISTED US	ENERGY STAR	FC	RoHS COMPLIANT
----------------------------	--------------------	-----------	--------------------------

LED ADJUSTABLE VAPOR TIGHT FIXTURES

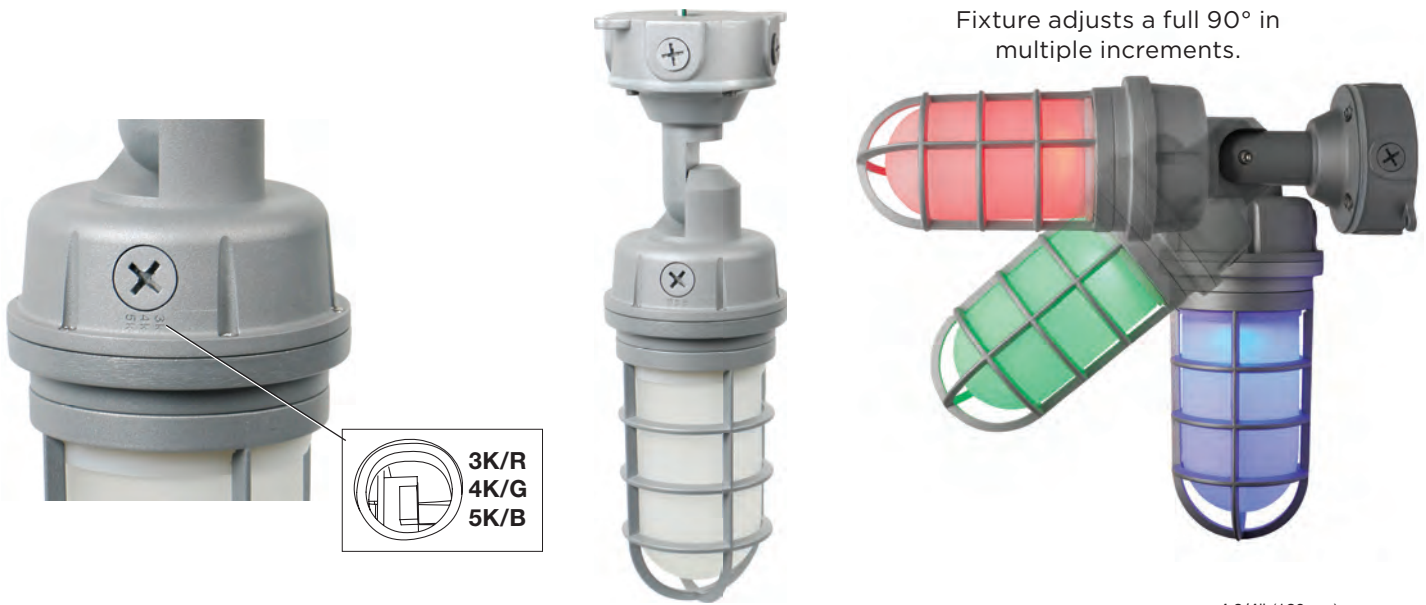


Features:

- 90° Adjustable Arm
- Red/Green/Blue Selectable Version
- 3000K/4000K/5000K Selectable Version
- Wall or Ceiling Mount
- Durable Die-Cast Aluminum Body and Protective Steel Cage
- Gray Finish/Frosted Glass
- IP65
- ENERGY STAR (65-550)



LED ADJUSTABLE VAPOR TIGHT FIXTURES

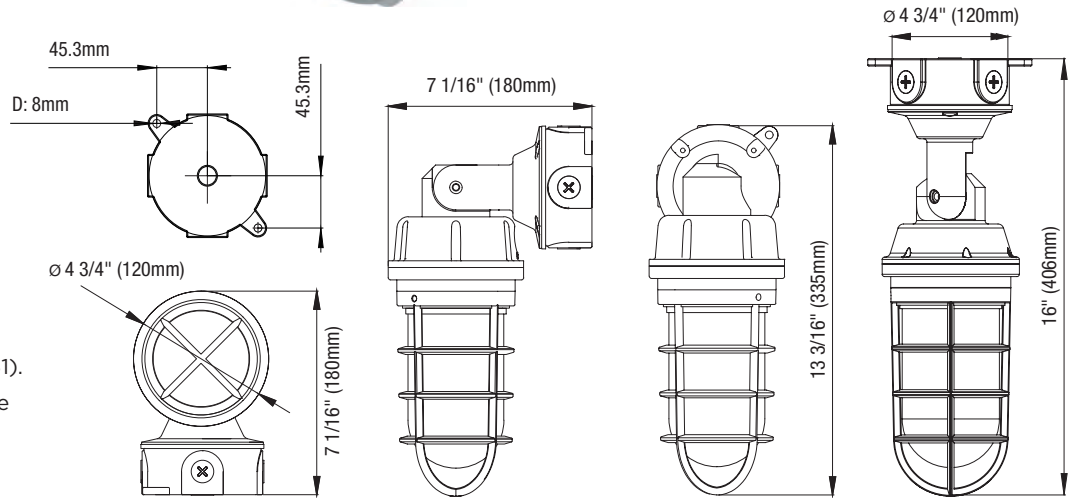


Fixture adjusts a full 90° in multiple increments.



Option 1	Option 2
3K	R
4K	G
5K	B

1. Select the CCT setting, (Model 65-550), or the RGB setting, (Model 65-551).
2. Red/Green/Blue selectable
 Red: 500 Lumens
 Green: 1000 Lumens
 Blue: 200 Lumens



Item	Description	Watts	CCT/RGB	Lumens	UPC	Pack
65-550*	Gray/20W	20	3000K/4000K/5000K	1700-2000	045923653087	6
65-551	Gray/20W	20	Red/Green/Blue	Red: 500lms/Green: 1000lms/Blue: 200lms	045923653094	6

*CCT Selectable

See warranty for details. Product sheet NU1718

Specifications

20 WATTS	CCT SELECTABLE	WET LOCATION	120-277V
2KV SURGE PROTECTION	80 CRI	50,000 HOURS	5 Year Warranty
IP 65			

Certifications



POLYCARBONATE ADJUSTABLE VAPOR TIGHT



Features:

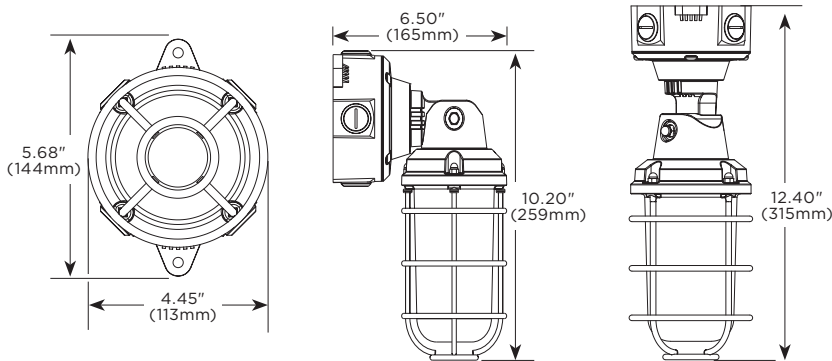
- 90° Adjustable Arm
- Wall or Ceiling Mount
- Protective Stainless Steel Cage & Hardware
- Gray Finish
- Operating Temp: -40°C to 45°C (-40°F to 113°F)
- ½" Conduit Openings on all 4 sides & 1 in back
- IP65
- 5 Year Warranty



POLYCARBONATE ADJUSTABLE VAPOR TIGHT



Fixture adjusts a full 90°
in multiple increments.



Item	Description	CCT	Lumens	Pack
65-171	Adjustable Vapor Tight - Gray	3000K	2050	6
65-172	Adjustable Vapor Tight - Gray	4000K	2150	6
65-173	Adjustable Vapor Tight - Gray	5000K	2200	6

See warranty for details.

Product sheet NU1488

Specifications

20 WATTS	80 CRI	100-277V	WET LOCATION
50,000 HOURS	IP 65		

Certifications

UL CERTIFIED	FC	RoHS COMPLIANT
------------------------	-----------	--------------------------

UFO HIGH BAY CCT AND WATTAGE SELECTABLE



Features:

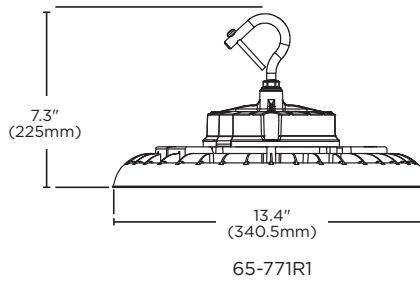
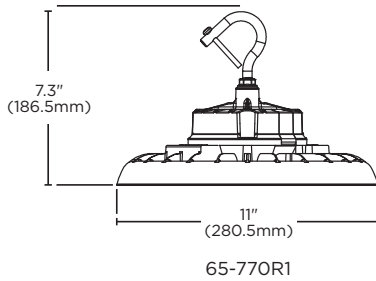
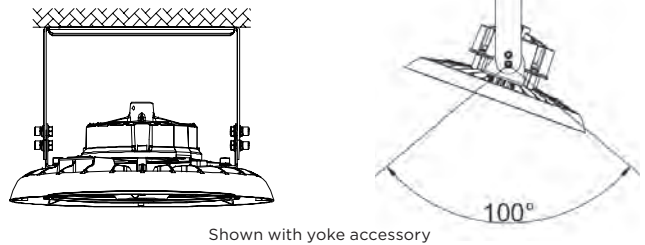
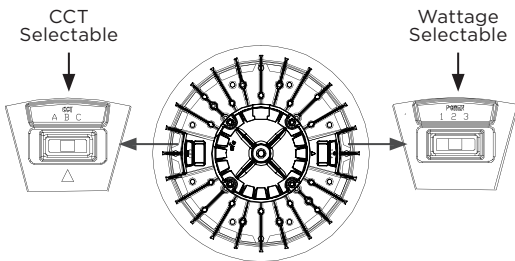
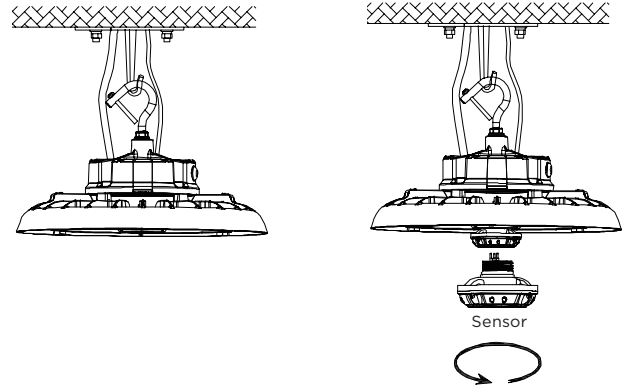
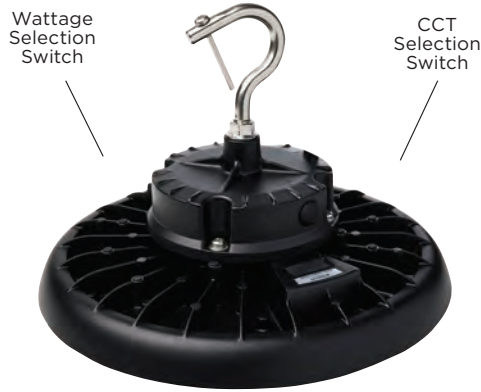
- CCT Selectable - 3000K/4000K/5000K
- Integrated Sensor Port
- Wattage Selectable Switch - 3 Selections
- 0-10V Dimming*
- Black finish
- Operating Temperature 65-770R2
-40°C to 50°C (-40°F to 122°F)
- 90° Beam Angle
- Includes 6' Whip



Integrated Sensor Port



UFO HIGH BAY CCT AND WATTAGE SELECTABLE



Item	Description	Wattage Selectable	CCT Selectable	Lumens	Pack
65-770R2	LED UFO Highbay CCT & WATT ADJ	80W/100W/120W	3000K/4000K/5000K	11840-18600	1
65-771R2	LED UFO Highbay CCT & WATT ADJ	150W/175W/200W	3000K/4000K/5000K	22200-28800	1

*Consult Satco or visit www.satco.com for an up-to-date dimmer compatibility list. See warranty for details.

Product sheet NU1640

Specifications

-
-
- 80 CRI**
- 120-277V**
-
-
- 50,000 HOURS**
- 6KV SURGE PROTECTION**
- IP 65**

Certifications

-
-
-
-
-

UFO HIGH BAY



Features:

- 100W, 150W, 200W, 240W Options
- 4000K & 5000K Options
- Integrated Sensor Port
- Black or White finish
- Operating Temperature
-40°C to 50°C (-40°F to 122°F)
- 90° Beam Angle
- Includes 6' Whip

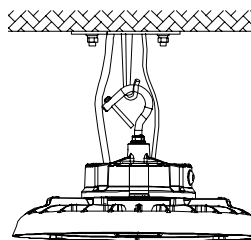


Integrated Sensor Port

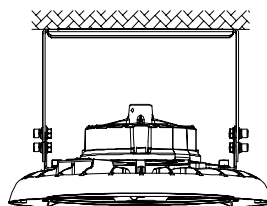
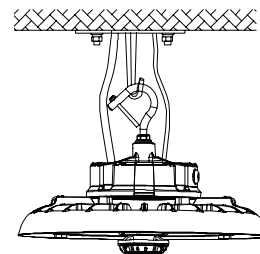
UFO HIGH BAY



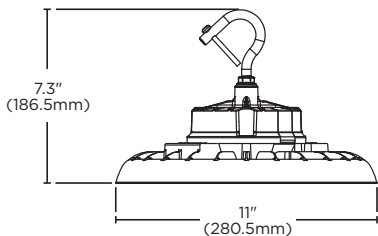
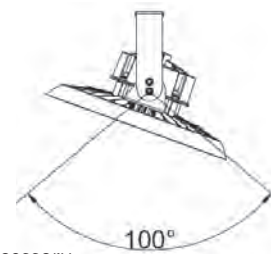
White



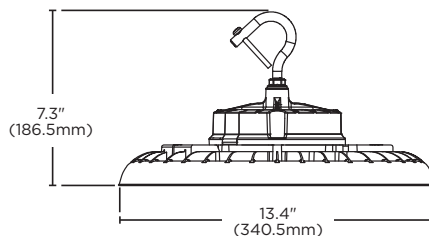
Add on sensor



Shown with yoke accessory



100W, 150W



200W, 240W

Item	Description	Watts	Volts	CCT	Lumens	Pack
Black 120-277V						
65-781R2	7 7/8" x 11 7/8" - Black	100	120-277	4000K	14000	1
65-782R2	7 7/8" x 11 7/8" - Black	100	120-277	5000K	14400	1
65-783R2	7 7/8" x 11 7/8" - Black	150	120-277	4000K	20850	1
65-784R2	7 7/8" x 11 7/8" - Black	150	120-277	5000K	21600	1
65-785R2	8 1/2" x 14 1/4" - Black	200	120-277	4000K	28000	1
65-786R2	8 1/2" x 14 1/4" - Black	200	120-277	5000K	28800	1
65-787R2	8 1/2" x 14 1/4" - Black	240	120-277	4000K	33360	1
65-788R2	8 1/2" x 14 1/4" - Black	240	120-277	5000K	34560	1
White 120-277V						
65-791R2	7 7/8" x 11 7/8" - White	100	120-277	4000K	14000	1
65-792R2	7 7/8" x 11 7/8" - White	100	120-277	5000K	14400	1
65-793R2	7 7/8" x 11 7/8" - White	150	120-277	4000K	20850	1
65-794R2	7 7/8" x 11 7/8" - White	150	120-277	5000K	21600	1
65-795R2	8 1/2" x 14 1/4" - White	200	120-277	4000K	28000	1
65-796R2	8 1/2" x 14 1/4" - White	200	120-277	5000K	28800	1
65-797R2	8 1/2" x 14 1/4" - White	240	120-277	4000K	33360	1
65-798R2	8 1/2" x 14 1/4" - White	240	120-277	5000K	34560	1
Black 277-480V						
65-801R2	7 7/8" x 11 7/8" - Black	100	277-480	4000K	14100	1
65-802R2	7 7/8" x 11 7/8" - Black	100	277-480	5000K	14500	1
65-803R2	7 7/8" x 11 7/8" - Black	150	277-480	4000K	21000	1
65-804R2	7 7/8" x 11 7/8" - Black	150	277-480	5000K	21750	1
65-805R2	8 1/2" x 14 1/4" - Black	200	277-480	4000K	28200	1
65-806R2	8 1/2" x 14 1/4" - Black	200	277-480	5000K	29000	1
65-807R2	8 1/2" x 14 1/4" - Black	240	277-480	4000K	33840	1
65-808R2	8 1/2" x 14 1/4" - Black	240	277-480	5000K	34800	1

See warranty for details.

Product sheet NU1620

Specifications



Certifications



OPTIONAL UFO HIGH BAY ACCESSORIES



5.5' Supply Extension Whip
with IP68 Connector

IP68 Rated Whip Features

- 5.5 Ft. length SJTW 18/3
- Waterproof IP68 rated
- Voltage rating 300V
- Current rating 16A
- Operating temperature range
-40°C - 105°C (-40°F - 221°F)



65-780 EM for UFO High Bays
(120-347V) 30W 90 Minute Run Time
65-815 EM for UFO High Bays
(120-347V) 40W 90 Minute Run Time



Remote for Microwave Sensor

Used to program 86-218 sensors with the below settings:

- Brightness
- Sensitivity
- Hold Time
- Standby Dimming
- Daylight
- Standby Time



Aluminum Reflector



Yoke Mount - Black or White



3/8" to 3/4" Pendant Adapter -
Black or White



Protective Wire Guard



86-217 Add-On PIR Sensor
White/6 Meter (19.6 ft)



86-218 Add-On
Microwave Sensor
White/12 Meter (39.3 ft)



86-220 Add-On PIR Sensor
White/12 Meter (39.3 ft)

OPTIONAL UFO HIGH BAY ACCESSORIES



PC Shade



Bottom Diffuser,
for use with PC Shade

Item	Description	Application	Pack
65-169	Whip Connector; 0-10V 5.5 Ft. - IP68 Rated - Black	All	50
65-170	Whip Connector; 0-10V 5.5 Ft. - IP68 Rated - White	All	50
65-199	Whip Connector; 5.5 Ft. - IP68 Rated - Black	All	50
65-200	Whip connector; 5.5 Ft. - IP68 Rated - White	All	50
65-759	3/8" To 3/4" Pendant Adapter - White	All	20
65-763	Yoke Mount - White	65-770R2, 100W & 150W	20
65-764	Yoke Mount - White	65-771R2, 200W & 240W	20
65-765	Yoke mount - Black	65-770R2, 100W & 150W	20
65-766	Yoke mount - Black	65-771R2, 200W & 240W	20
65-769	3/8" To 3/4" Pendant Adapter - Black	All	20
65-778	Aluminum Reflector	65-770R2, 100W & 150W	20
65-779	Aluminum Reflector	65-771R2, 200W & 240W	20
65-780	EM (30W)UFO High Bays (120-347V)	65-770R2, 100W & 150W	4
65-789	PC Shade	100W & 150W	10
65-790	Add on Bottom Diffuser w/Clamp Band	w/65-789	40
65-799	PC Shade	200W & 240W	10
65-800	Add on Bottom Diffuser w/Clamp Band	w/65-799	40
65-809	Protective Wire Guard	100W & 150W	20
65-810	Protective Wire Guard	200W & 240W	20
65-811	Add-On PC Shade	65-770R2, 100W & 150W	10
65-815	EM (40W) UFO High Bays (120-347V)	65-771R2, 200W & 240W	4
86-217	Add-On PIR Sensor	All	100
86-218	Add on Microwave Sensor	All	50
86-220	Add-On PIR Sensor	All	100
86-219	Remote for Sensors	All	10

See warranty for details.

Product sheets NUI620 / NUI640

LINEAR HIGH BAY



Features:

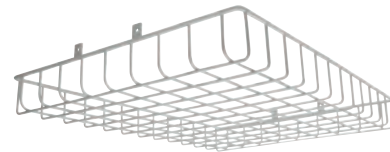
- 80W, 110W, 165W, 225W Options
- 4000K & 5000K Options
- Suspension Chain included - 48"
- V-Clips included
- Operating Temperature -
-20°C to 45°C (-4°F to 113°F)
- 5 Year Warranty



LINEAR HIGH BAY



Optional Pendant /
Surface Mount Kit
65-497



Optional Protective Cage
65-498 (2'/80W & 100W)
65-499 (2'/165W)
65-500 (4'/225W)



MW Sensor
86-202R

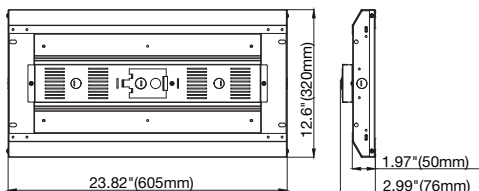


Remote
86-214

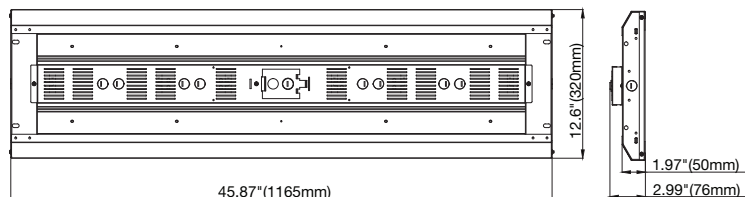


PIR Sensor
86-211

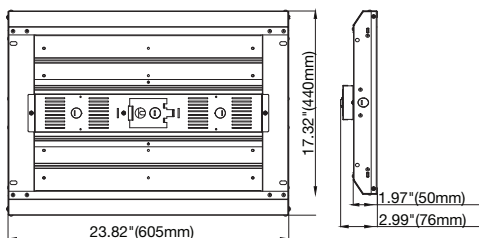
65-501, 60-502, 65-503, 65-504



65-507, 65-508



65-505, 65-506



Item	Size	Watts	CCT	Lumens	Pack
65-501	24" x 12.5"	80	4000K	10400	1
65-502	24" x 12.5"	80	5000K	10400	1
65-503	24" x 12.5"	110	4000K	14300	1
65-504	24" x 12.5"	110	5000K	14300	1
65-505	24" x 17.25"	165	4000K	21450	1
65-506	24" x 17.25"	165	5000K	21450	1
65-507	46" x 12.5"	225	4000K	29250	1
65-508	46" x 12.5"	225	5000K	29250	1

Accessories

65-498	2 FT Wire Guard - White	For 80W & 110W	10
65-499	2 FT Wire Guard - White	For 165W	10
65-500	4FT Wire Guard - White	For 225W	10
86-202R	Add on Microwave Sensor - White		30
86-214	Remote for 86-202R - White		50
86-211	PIR Sensor - White		20
65-497	Pendant/Surface Mount Kit - White		20

Consult Satco or visit www.satco.com for an up-to-date dimmer compatibility list. See warranty for details.

Product sheet NUI519

Specifications



Certifications

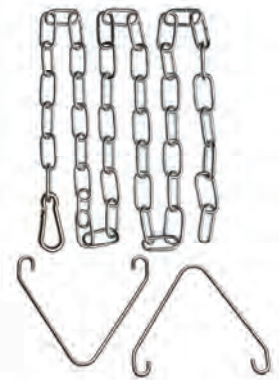


LED ADJUSTABLE LINEAR HIGH BAY



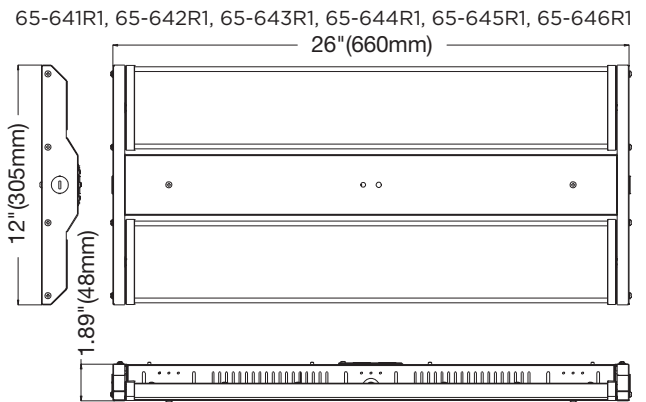
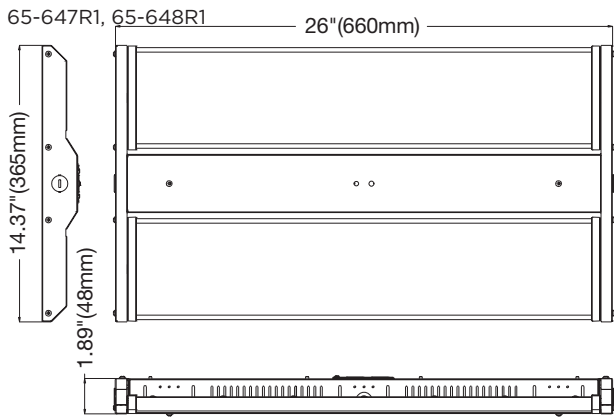
Features:

- Fully Independent Articulating Light Panels
- Integrated DC Sensor Port
- 0-10V Dimmable*
- 50,000 Rated Life Hours
- DLC 5.1 Premium Certified
- 5 Year Warranty



Mounting chains included

LED ADJUSTABLE LINEAR HIGH BAY



Item	Watts	CRI	CCT	Lumens	Pack
65-641R1	110	80	4000	15871	1
65-642R1	110	80	5000	16169	1
65-643R1	135	80	4000	18524	1
65-644R1	135	80	5000	18117	1
65-645R1	165	80	4000	22756	1
65-646R1	165	80	5000	22816	1
65-647R1	220	80	4000	30315	1
65-648R1	220	80	5000	30337	1

*Consult Satco or visit www.satco.com for an up-to-date dimmer compatibility list. See warranty for details.

Product sheet NU1606

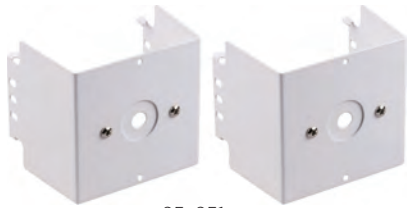
Specifications



Certifications



LED ADJUSTABLE LINEAR HIGH BAY ACCESSORIES



65-651
Surface Mount Kit



65-650
Pendant Mount Kit



86-209
Battery Mode: 20W/-3550lms
- 90 Minute Run Time



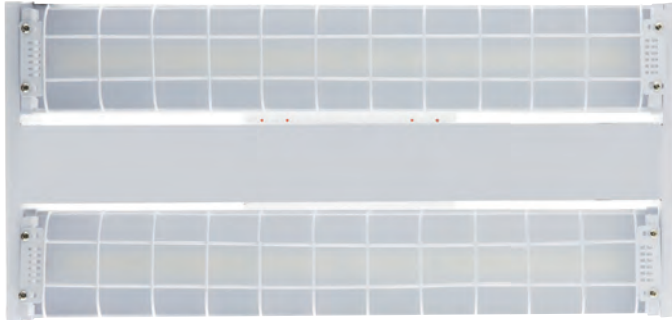
86-217
PIR Sensor



86-218
Microwave
Sensor



86-220
PIR Sensor



Protective Cage
65-652-Set of 2 for 110W,
135W & 165W sizes
65-653-Set of 2 for 220W size



86-219
Remote

Sensors

Item	Description	Finish	Pack
86-217	PIR 6 Meter (19.69' feet) Sensor	White	150
86-220	PIR Sensor 12 Meter (39.4 foot) Sensor	White	100
86-218	Microwave Sensor 12 Meter (39.4 foot)	White	100
86-219	IR Programming Remote	Black	100

Mounting

Item	Description	Finish	Pack
65-650	Pendant Mount Kit ADJ Hi Bay	White	20
65-651	Surface Mount Kit ADJ Hi Bay	White	20
65-652	Protective Cage for 110W/135W/165W ADJ HI Bay - Set of 2	White	10
65-653	Protective Bage for 220W ADJ HI Bay - Set of 2	White	10

Emergency Battery Backup

Item	Description	Finish	Pack
86-209	EM Battery Back UP ADJ Hi Bay	White	10

Product sheet NU1606

LED ADJUSTABLE LINEAR HIGH BAY



CCT SELECTABLE, WATTAGE SELECTABLE STRIPS



Features:

- 3500K/4000K/5000K Selectable
- 0-10V Dimmable[▲]
- Wattage Selectable Versions
- Multiple Mounting Options
- Flicker-Free Driver
- 2kV Surge Protection (3kV 65-703)
- Operating Temperature
-20°C to 60°C (-4°F to 140°F)
- 5 Year Warranty



ColorQuick™

Selectable Color Technology

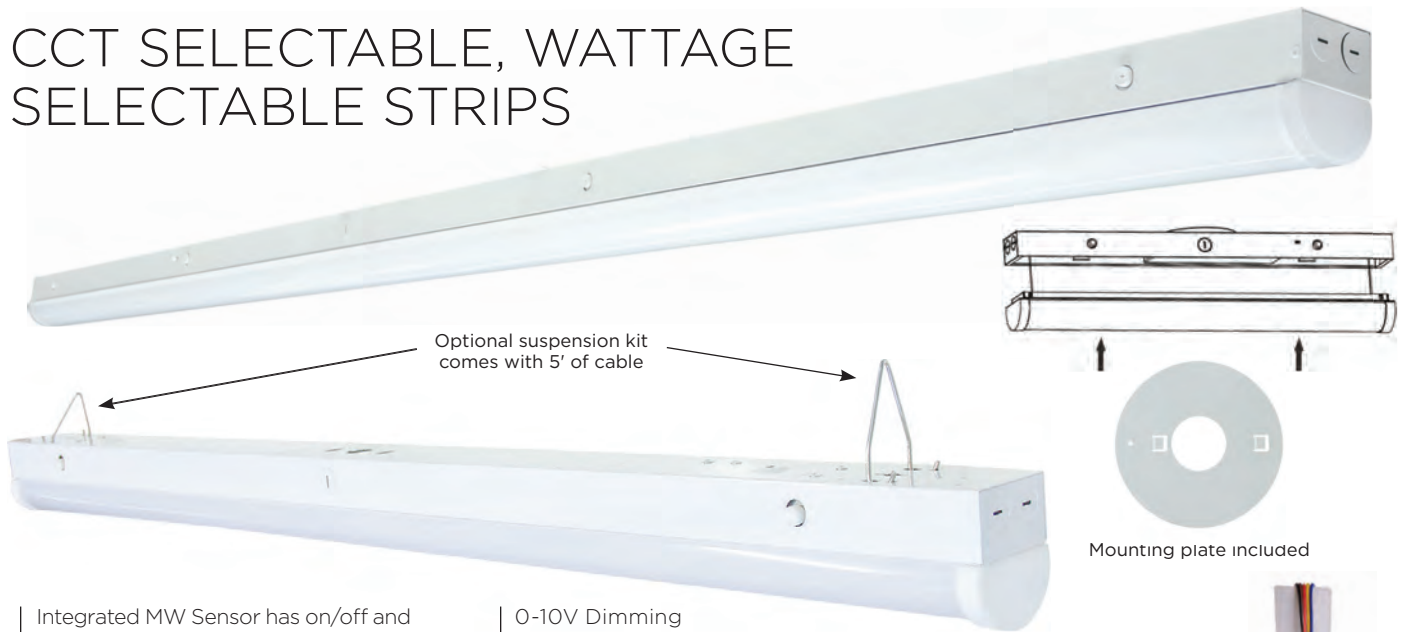


PowerQuick™

Switch to/from the following CCT



CCT SELECTABLE, WATTAGE SELECTABLE STRIPS



Optional suspension kit comes with 5' of cable

Mounting plate included

Integrated MW Sensor has on/off and bi-level dimming capabilities down to 30% or 10%

3500/4000/5000K CCT selectable

Selectable Wattage
30W/40W/50W (65-699)

0-10V Dimming

65-698 - EM mode: 4W/90 min. run time

65-699 - EM mode: 8W/90 min. run time

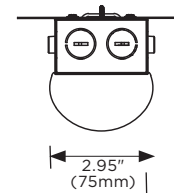
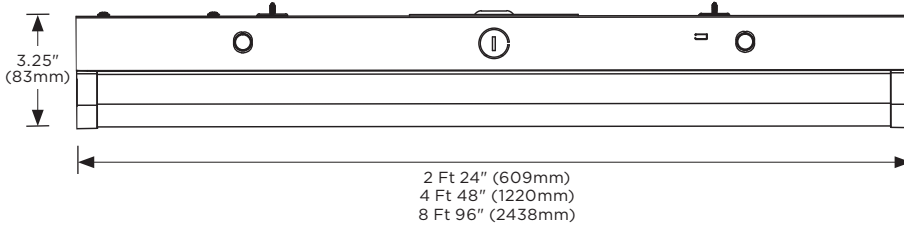
2KV Surge Protection



Add-On PIR Sensor



Add-On Microwave Sensor



Remote for 86-202R

Item	Description	Watts	Volts	CCT	Lumens	Pk
65-698**	2' Linear Strip W/ EM & Sensor	20	100-277	3500K/4000K/5000K	2735-2830	8
65-699**	4' Linear Strip W/ EM & Sensor	30/40/50	100-277	3500K/4000K/5000K	3900-6750	6
65-700	2 Ft. Linear Strip	20	100-277	3500K/4000K/5000K	2735-2830	8
65-701*	4 Ft. Linear Strip	30/40/50	100-277	3500K/4000K/5000K	3900-6750	6
65-702*	8 Ft. Linear Strip	30/40/50	100-277	3500K/4000K/5000K	3900-6750	4
65-703†	8 Ft. High Lumen Linear Strip	82	120-347	3500K/4000K/5000K	10400-10800	4
65-1700	2' Linear Strip w/Sensor	20	120-277	3500K/4000K/5000K	2735-2830	4
65-1701	4' Linear Strip w/Sensor	20	120-277	3500K/4000K/5000K	2735-2830	4
65-1702	8' Linear Strip w/Sensor	30/40/50	120-277	3500K/4000K/5000K	3900-6750	4
65-1703	8' Linear Strip w/Sensor	82	120-347	3500K/4000K/5000K	10400-10800	4
Accessories						
65-706	2' & 4' Suspension Kit					50
65-707	8' Suspension Kit					20
65-708	Emergency Backup Battery - 8W/1440lm/90 Minute Run Time (not for use with 65-700)					20
86-202R	Microwave Sensor - White					30
86-211	PIR Sensor - White					20
86-214	Remote for 86/202R					50

*Wattage Selectable
**Emergency
†3kV Surge Protection

†Consult Satco or visit www.satco.com for an up-to-date dimmer compatibility list. See warranty for details.

Specifications



Certifications



Product sheet NU1629

SLIM STRIPS



Features:

- Built-in J-Box (Connector Sold Separately)
- 2kV Surge Protection
- Operating Temperature
-20° to 40°C (-4°F to 104°F)
- 5 Year Warranty



SLIM STRIPS

ACCESSORIES



65-1127



65-1118



65-1119



MW Sensor
86-202R



Remote
86-214



PIR Sensor
86-211



Connectible -
Integrated

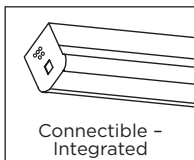
2 9/16"
(65mm)

2 11/16"
(68mm)

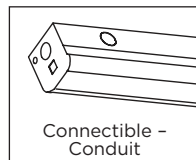
47 7/8"
(1216mm)



Connectible -
Integrated Shown



Connectible -
Integrated



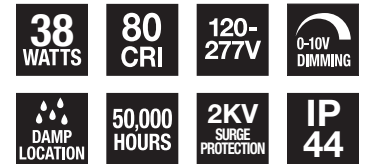
Connectible -
Conduit

Item	Description	CCT	Lumens	Linkable	Pack
65-1122	Slim Strip Light	4000K	4565	No	6
65-1123	Slim Strip Light	5000K	4860	No	6
65-1125	Slim Connectible Strip Light	4000K	4565	Yes (10 units)	6
65-1126	Slim Connectible Strip Light	5000K	4860	Yes (10 units)	6
Accessories					
65-1118	Quick Connector				100
65-1119	18" Quick Cable				100
65-1127	33" Suspension Kit				48
86-202R	Microwave Sensor - White				20
86-214	Remote for 86-202R - White				50
86-211	PIR Sensor - White				20

Consult Satco or visit www.satco.com for an up-to-date dimmer compatibility list. See warranty for details.

Product sheet NU1628

Specifications



Certifications



WIDE STRIPS



Features:

- Built-in J-Box for Easy Installation
- Six ½" Knockout Access Points On Conduit Connectible Versions
- Integrated Connectible Version, Connect Up To 10 Units (Connector Sold Separately)
- 0-10V Dimming*
- 2kV Surge Protection
- Operating Temperature -20° to 40°C (-4°F to 104°F)
- 5 Year Warranty



WIDE STRIPS

ACCESSORIES



65-1127



65-1118



65-1119



MW Sensor
86-202R



Remote
86-214



PIR Sensor
86-211



Connectible -
Integrated

Connectible version with integrated sensor: controls up to 7 units at 120V and 10 units at 277V

Emergency battery backup version (EM): 90 minute run time - 8W - 1000 lumens

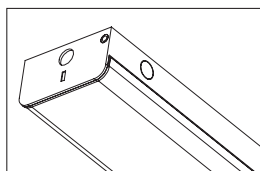
5 1/8" (130mm)

2 5/8" (67mm)

Connectible



Connectible -
Integrated Shown



Connectible - Conduit

47 7/8" (1216mm)

Item	Description	Watts	CCT	Lumens	Linkable	Pack
65-1132	Wide Strip Light	38	4000K	4829	No	6
65-1133	Wide Strip Light	38	5000K	4909	No	6
65-1135	Wide Connectible Strip Light	38	4000K	4829	10 units	6
65-1136	Wide Connectible Strip Light	38	5000K	4909	10 units	6
65-1142	Wide Strip Light w/Sensor	40	4000K	4829	No	6
65-1143	Wide Strip Light w/Sensor	40	5000K	4909	No	6
65-1145	Wide Connectible Strip Light w/Sensor	40	4000K	4829	10 units	6
65-1146	Wide Connectible Strip Light w/Sensor	40	5000K	4909	10 units	6
65-1152	EM Wide Strip Light	40	4000K	4829	No	6
65-1153	EM Wide Strip Light	40	5000K	4909	No	6
65-1155	EM Wide Connectible Strip Light	40	4000K	4829	10 units	6
65-1156	EM Wide Connectible Strip Light	40	5000K	4909	10 units	6

Accessories

65-1118	Quick Connector					100
65-1119	18" Quick Cable					100
65-1127	33" Suspension Kit					48
86-202R	Microwave Sensor - White					20
86-214	Remote for 86-202R - White					50
86-211	PIR Sensor - White					20

*Consult Satco or visit www.satco.com for an up-to-date dimmer compatibility list. See warranty for details.

Product sheet NUI559

Specifications



Certifications



SLIM AND WIDE STRIPS – CONNECTABILITY



Slim and wide connectible strips are available with "jumper cable" connection or male/male quick connector. Only one fixture needs to be wired to energize the entire run, (up to 40' depending on the configuration).

Knockout option for standalone units or traditional conduit connection.

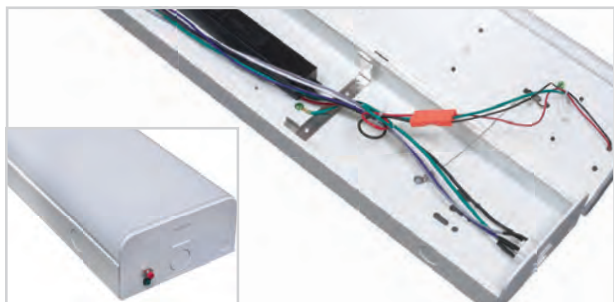


Male/male quick connector allows for almost seamless tandem installation.

Connectible up to 10 units, depending on configuration.



One integrated sensor version can control up to 7 units at 120V and 10 units at 277V.



Emergency battery backup (EM):

Wide LED connectible strip fixtures are available with integrated Emergency Battery Backup.

Battery mode:

- 90 Minute run time
- 8W ~ 1000 Lumens
- Optional sensors available to accommodate life safety codes, (86-202R microwave), (86-211 PIR)

WIDE STRIPS WITH INTEGRATED MICROWAVE MOTION SENSOR

SETTINGS:

By selecting the combination on the DIP switches, sensor data can be precisely set for each specific application.

ON ↑ [DIP SWITCH]		1	2	
	I	ON	ON	100%
	II	ON	-	75%
	III	-	ON	50%
	IV	-	-	10%

DETECTION AREA

Detection area can be reduced by selecting the combination on the DIP switches to fit precisely each application.

ON ↑ [DIP SWITCH]		3	4	5	
	I	ON	ON	ON	5S
	II	-	ON	ON	30S
	III	ON	-	ON	90S
	IV	-	-	ON	3min
	V	ON	ON	-	20min
	VI	-	-	-	+∞

HOLD TIME

Refers to the time period the lamp remains at 100% illumination after no motion detected.

ON ↑ [DIP SWITCH]		6	7	8	
	I	ON	ON	ON	0S
	II	-	ON	ON	5S
	III	ON	-	ON	5min
	IV	-	-	ON	10min
	V	ON	ON	-	30min
	VI	-	ON	-	1h
	VII	-	-	-	Disable

STAND-BY PERIOD

Refers to the time period the lamp remains at a low light level before it completely switches off in the long absence of people. When set to "+∞" mode, the low light is maintained until motion is detected.

ON ↑ [DIP SWITCH]		1	2	3	4	
	I	-	-	ON	ON	2Lux
	II	-	-	-	ON	5Lux
	III	-	ON	ON	-	10Lux
	IV	-	-	ON	-	25Lux
	V	-	ON	-	-	50Lux
	VI	ON	-	-	-	100Lux
	VII	-	-	-	-	Disable

DAYLIGHT SENSOR

The sensor can be set to only allow the lamp to illuminate below a defined ambient brightness threshold. When set to Disable mode, the daylight sensor will switch on the lamp when motion is detected regardless of ambient light level. 50lux, 30lux: twilight operation, 10lux, 5lux: darkness operation only. Note that daylight sensor is active only when lamp totally switches off.

ON ↑ [DIP SWITCH]		5	6	
	I	ON	ON	50%
	II	-	ON	30%
	III	ON	-	20%
	IV	-	-	10%

STAND-BY DIMMING LEVEL

The low light level you would like to have after the hold time in the long absence of people.

DUAL T8 LAMP READY FIXTURE CHANNELS



Features:

- Traditional Footprint
- Economical Cost Savings
- Surface Mount or Suspension
- Rugged, Steel Construction
- White Finish
- Pre-Wired Tombstone Sockets
- Multiple Knockout for Tandem Installations



DUAL T8 LAMP READY FIXTURE CHANNELS



OPTIONAL ACCESSORIES



Cambered Protective Cage
Available in 2', 3' & 4'

*Cambered Protective Cages cannot be attached without the Reflector



3' Empty Body
Suspension Kit



Add-On Reflector
Available in 2', 3' & 4'

2', 3', and 4' Fixtures

Item	Description	Dimensions	Finish	UPC	Pack
65-910	2' Dual T8 Fixture Channel	L:23.60 W:4.64 H:3.00	White	045923659324	9
65-911	3' Dual T8 Fixture Channel	L:35.40 W:4.64 H:3.00	White	045923659331	9
65-912	4' Dual T8 Fixture Channel	L:47.24 W:4.64 H:3.00	White	045923659348	6

Accessories

Item	Description	UPC	Pack
65-913	2' Add-On Reflector	045923659355	20
65-914	3' Add-On Reflector	045923659362	10
65-915	4' Add-On Reflector	045923659386	10
65-916*	2' Cambered Protective Cage	045923659393	50
65-917*	3' Cambered Protective Cage	045923659409	50
65-918*	4' Cambered Protective Cage	045923659416	50
65-919	3' Empty Body Suspension Kit	045923659904	100

*Cambered Protective Cages cannot be attached without the Reflector
Consult Satco or visit www.satco.com for an up-to-date dimmer compatibility list.
See warranty for details.

Product sheet NU1728

Specifications



Certifications



VAPOR TIGHT CCT SELECTABLE



Features:

- CCT Selectable - 3000K/4000K/5000K
- Wattage selectable versions
- Rugged enclosure
- Operating temperature:
-40°C to 45°C (-40°F to 113°F)
- 120° Beam angle



ColorQuick™

Selectable Color Technology

Switch to/from the following CCT

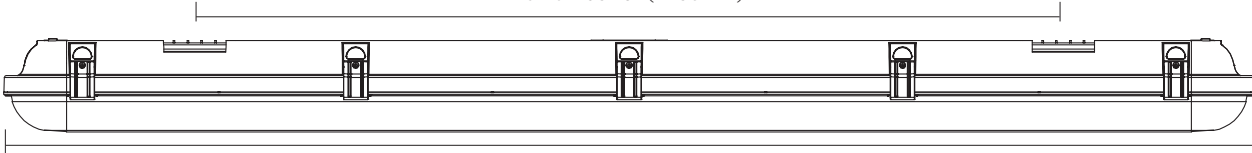


PowerQuick™

Wattage Selectable

VAPOR TIGHT CCT SELECTABLE

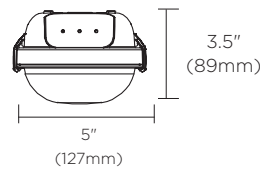
2 Ft. - 10.25" (610mm)
4 Ft. - 31.5" (1219mm)
8 Ft. - 63.75" (2438mm)



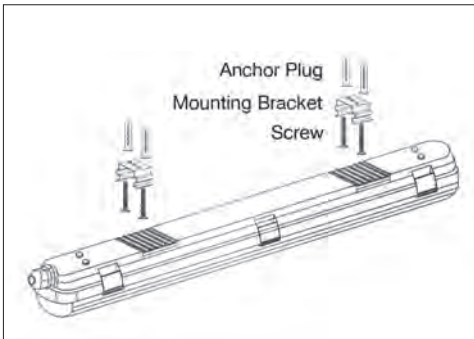
23.625" (610mm)
47.25" (1219mm)
94.5" (2438mm)



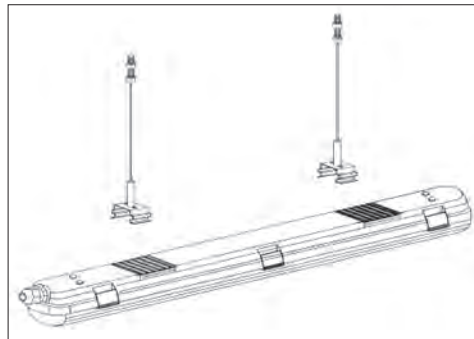
IP68 Connector



Surface installation



Suspension installation



Item	Description	Watts	CCT	Lumens	Pack
65-820R1*	2' - Gray	20	3000K/4000K/5000K	2164 - 2505	6
65-821R1**	4' - Gray	40/50/60	3000K/4000K/5000K	5360 - 7991	6
65-822R1**	8' - Gray	50/60/72	3000K/4000K/5000K	6400 - 9360	1
65-823R1	2' w/ Sensor - Gray	20	3000K/4000K/5000K	2164 - 2505	6
65-824R1*	4' w/ Sensor - Gray	40/50/60	3000K/4000K/5000K	5360 - 7991	6
65-825R1*	8' w/ Sensor - Gray	50/60/72	3000K/4000K/5000K	6400 - 9360	1
Accessories					
65-826	2' & 4' Vapor Tight Suspension Kit - 3' Cable Length				100
65-827	8' Vapor Tight Suspension Kit - 3' Cable Length				50

*Wattage Selectable

**Consult Satco or visit www.satco.com for an up-to-date dimmer compatibility list. See warranty for details.

Product sheet NUI470

Specifications



Certifications



TRI-PROOF CCT AND WATTAGE SELECTABLE



Features:

- CCT Selectable - 3000K/4000K/5000K
- Wattage Selectable Versions
- Rugged Enclosure
- Operating Temperature:
-40°C to 45°C (-40°F to 113°F)
- 115° Beam Angle



ColorQuick™

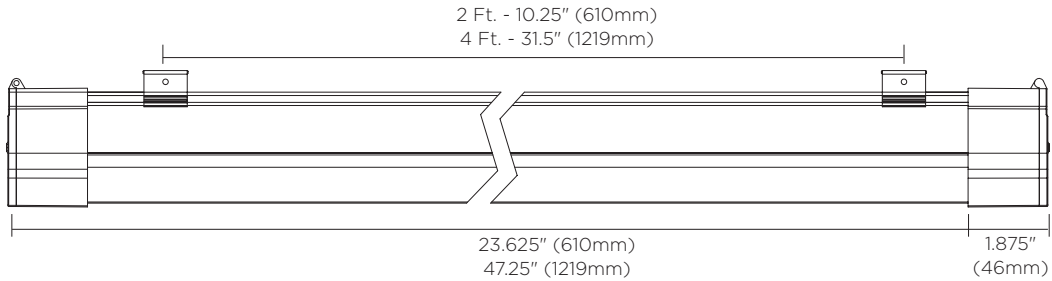
Selectable Color Technology

Switch to/from the following CCT



PowerQuick™

TRI-PROOF CCT AND WATTAGE SELECTABLE

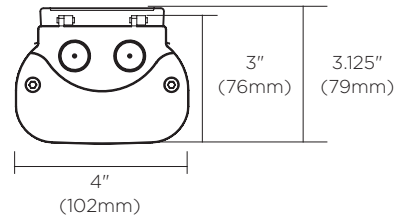


Tri-Proof:

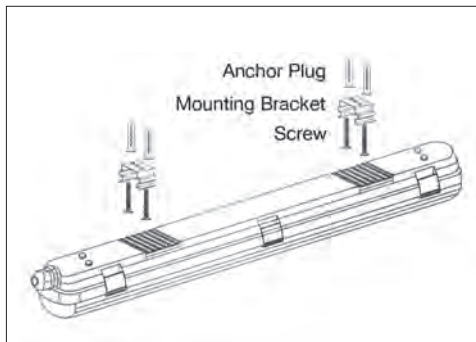
- Water/Dust Proof
- Vandal Proof
- Anti-corrosion



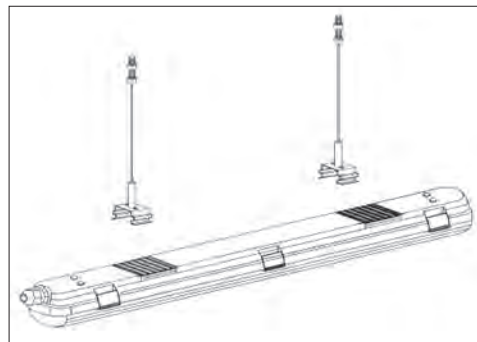
IP68 Connector



Surface installation



Suspension installation



Item	Description	Watts	CCT	Lumens	Pack
65-830R1†	2' - Gray	20	3000/4000/5000	2065 - 2249	6
65-831R1*†	4' - Gray	40/50/60	3000/4000/5000	5040 - 7669	6
65-832R1	2' w/ Sensor - White/Gray	20	3000/4000/5000	2065 - 2249	6
65-833R1*	4' w/ Sensor - White/Gray	40/50/60	3000/4000/5000	5040 - 7669	6
Accessories					
65-828	2' & 4' Tri-Proof Suspension Kit - 3' Cable Length				100

*Wattage Selectable

Product sheet NU1470

†Consult Satco or visit www.satco.com for an up-to-date dimmer compatibility list. See warranty for details.

Specifications

WATTAGE SELECTABLE

CCT SELECTABLE

120-347V

80 CRI

0-10V DIMMING

WET LOCATION

50,000 HOURS

2KV SURGE PROTECTION

IP 65

IK 08

Certifications

WRAPS



Features:

- Complies with NEC 410.16(A)(3) and NEC 410.16(C)(5)
- 2' and 4' Lengths
- With or Without Pull Chain or Sensor
- Mount Directly To Junction Box Or Internally Wire Using Built-In Junction Box
- Operating Temperature -20°C to 40°C (-4°F to 104°F)
- 5 Year Warranty



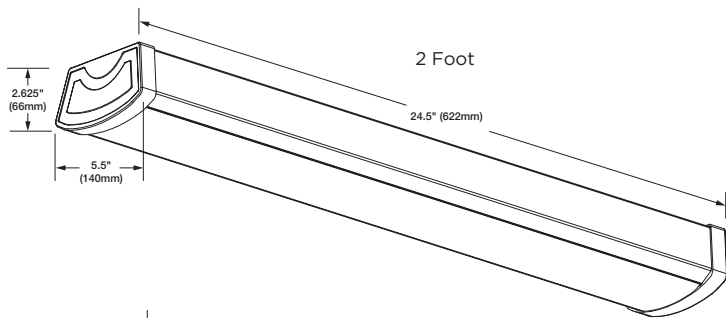
WRAPS



4" Chain
40" String

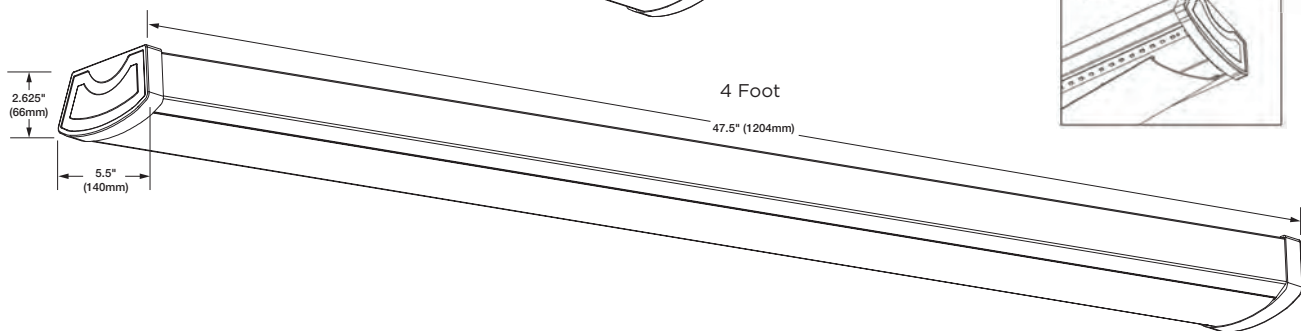


PIR Sensor specifications (Ceiling mounted installation - ceiling height 2.2-4m / 7'-13'):
Detection Distance: 4-6m / 13'-20'
No Detection Shut Off Time: 70 Seconds



2 Foot

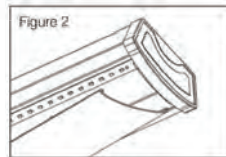
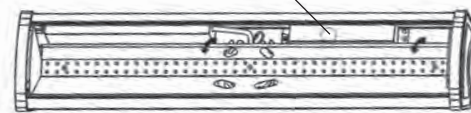
24.5" (622mm)



4 Foot

47.5" (1204mm)

Built-in junction box -
All models



Item	Description	Watts	Volts	CCT	Lumens	Pack
65-1081	2 Ft.	20	120-277	4000K	1600	4
65-1082	4 Ft.	40	120-277	4000K	3200	4
65-1083	2 Ft.	20	120-277	3000K	1600	4
65-1084	4 Ft.	40	120-277	3000K	3200	4
Wraps with On/Off Pull Chain						
65-1091	2 Ft.	20	120	3000K	1600	4
65-1092	4 Ft.	40	120	3000K	3200	4
Wraps with Motion Sensor						
65-1095	2 Ft.	20	120-277	3000K	1600	4
65-1096	4 Ft.	40	120-277	3000K	3200	4
65-1097	2 Ft.	20	120-277	4000K	1600	4
65-1098	4 Ft.	40	120-277	4000K	3200	4

See warranty for details.

Product sheet NU1352

Specifications



Certifications



DOUBLE STRIP LIGHTS



Features:

- High Lumen output 110 LPW
- Damp Location Rated
- 2KV Surge Protection
- 50,000 Hours
- 5 Year Warranty
- ENERGY STAR Certified



DOUBLE STRIP LIGHTS



86-211 PIR Sensor



Easy Installation



65-1070



65-1071



65-1072

Both 2' & 4' sizes have (5) 1/2" knockouts. One on either end and three along the back including one in the center.

Item	Description	Watts	CCT	Lumens	UPC	Pack
65-1070	2' LED Double Strip Light	20	4000K	2200	045923610707	12
65-1071	4' LED Double Strip Light	43	4000K	4750	045923625503	6
65-1072	8' LED Double Strip Light	78	4000K	9000	045923653681	4
Accessories						
86-211	PIR Sensor - White				045923862113	20
65-1073	2' & 4' Suspension Kit - 5' Length				045923653698	75
65-1074	8' Suspension Kit - 5' Length				045923653704	50

See warranty for details.

Product sheet NU1356

Specifications



Certifications



STRIPS



Features:

- 4' and 2' Stand-Alone Versions
- 2' and 4' Stand-Alone Strips Comply with NEC 410.16 (A)(3) and NEC 410.16 (C)(5)
- 1', 2', and 4' Connectible Versions*
- Ceiling or Wall Mount
- Ultra-slim Design
- 5 Year warranty

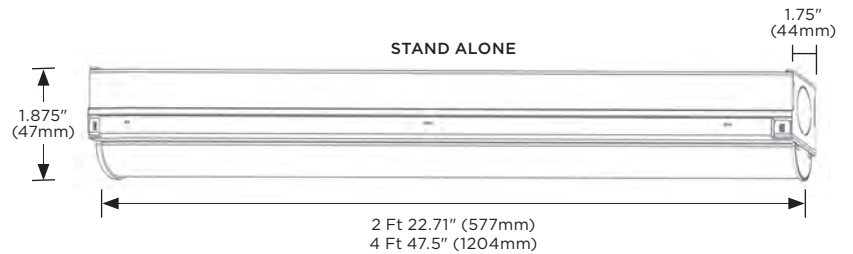


STRIPS

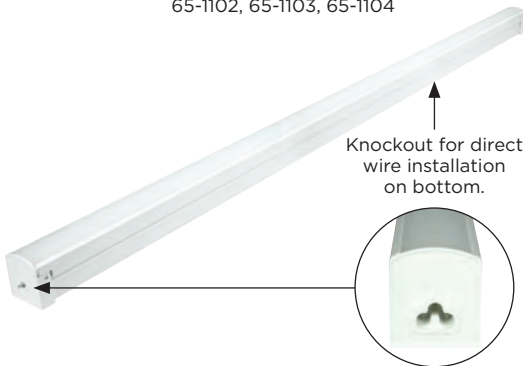
Stand-alone strips
65-1100, 65-1101



Knockouts for direct wire installation on ends and bottom.

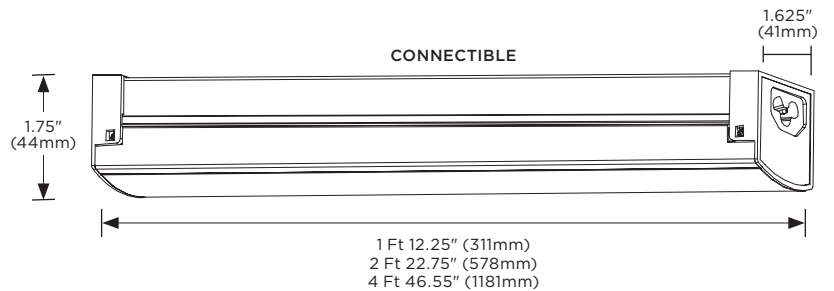


Connectible strips
65-1102, 65-1103, 65-1104



Knockout for direct wire installation on bottom.

Connection port
*Units include male/male flush joiner



Connectible Strip maximum number of units that can be connected:
65-1102 - 27 units
65-1103 - 14 units
65-1104 - 9 units

Connectible Strip Accessories



5' Power cord
65-1107



Connectors:
8 inch 65-1108
16 inch 65-1112
24 inch 65-1113

Item	Description	Watts	Volts	Lumens	Pack
Stand-alone Strip					
65-1100	2 Ft.	12	100-277	900	12
65-1101	4 Ft.	24	100-277	1800	12
Connectible Strip					
65-1102*	1 Ft.	12	120	840	12
65-1103*	2 Ft.	24	120	1680	12
65-1104*	4 Ft.	36	120	2600	12
Connectible Strip Accessories					
65-1107	5 Foot Power Cord				30
65-1108	8 Inch Male/Male Joiner				30
65-1112	16 Inch Male/Male Joiner				30
65-1113	24 Inch Male/Male Joiner				30

See warranty for details.

Product sheet NUI356

Specifications



Certifications



BACKLIT FLAT PANELS CCT SELECTABLE

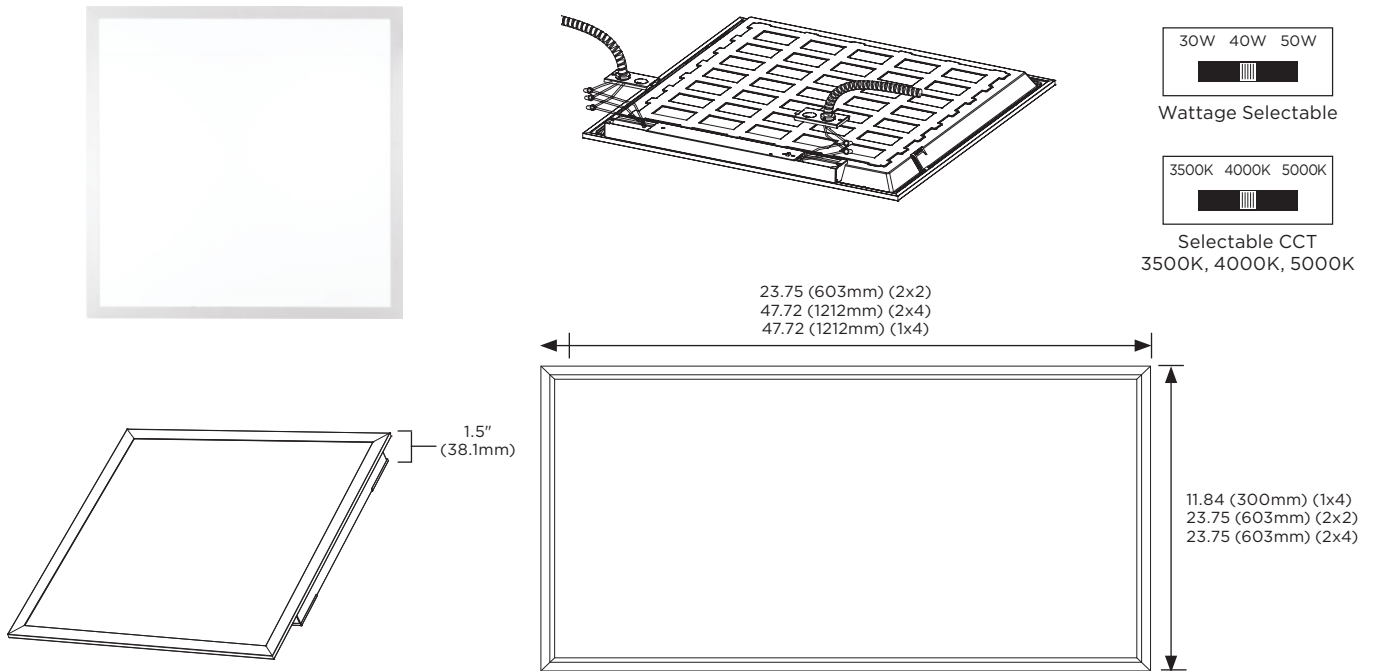


Features:

- CCT Selectable - 3500K/4000K/5000K
- Operating Temperature
-17°C to 45°C (1°F to 113°F)
- Flicker-Free Driver
- Integrated EM Options
- EM Mode - 90 Minute Run Time
- 8W/1000 lumens
- Suitable for 15/16" and 9/16" T-Grid systems
- Recessed, Surface Mount
and Suspension Kits Available
- 5 year Warranty



BACKLIT FLAT PANELS CCT AND WATTAGE SELECTABLE



Item	Description	Watts	Volts	CCT Selectable	Lumens	Pack
65-571R1	2'x2'	20/30/40W	100-277V	3500K/4000K/5000K	2200-4600	1
65-572R1	2'x4'	30/40/50W	100-277V	3500K/4000K/5000K	3300-5750	1
65-573R1	1'x4'	20/30/40W	100-277V	3500K/4000K/5000K	2200-4600	1
65-581R1	2'x2'	20/30/40W	100-347V	3500K/4000K/5000K	2200-4600	1
65-582R1	2'x4'	30/40/50W	100-347V	3500K/4000K/5000K	3300-5750	1
65-583R1	1'x4'	20/30/40W	100-347V	3500K/4000K/5000K	2200-4600	1
65-575R1	2'x2' EM	20/30/40W	100-277V	3500K/4000K/5000K	2200-4600	1
65-576R1	2'x4' EM	30/40/50W	100-277V	3500K/4000K/5000K	3300-5750	1
65-577R1	1'x4' EM	20/30/40W	100-277V	3500K/4000K/5000K	2200-4600	1
65-585R1	2'x2' EM	20/30/40W	100-347V	3500K/4000K/5000K	2200-4600	1
65-586R1	2'x4' EM	30/40/50W	100-347V	3500K/4000K/5000K	3300-5750	1
65-587R1	1'x4' EM	20/30/40W	100-347V	3500K/4000K/5000K	2200-4600	1
Accessories		Dimensions				
65-591	2'x2' Suspension Kit					30
65-592	1'x4' Suspension Kit					30
65-593	2'x4' Suspension Kit					30
65-595R1	1'x4' Frame Kit EM	48" L x 12 11/16" W x 4 5/16" D				5
65-596R1	2'x2' Frame Kit EM	24 1/16" L x 24 9/16" W x 4 5/16" D				5
65-597R1	2'x4' Frame Kit EM	48" L x 24 9/16" W x 4 5/16" D				5
65-588	1'x4' Flange Kit	49 3/16" L x 13 1/4" W x 1 1/2" D				10
65-589	2'x2' Flange Kit	25 3/16" L x 25 3/16" W x 1 1/2" D				10
65-590	2'x4 Flange Kit	49 3/16" L x 25 3/16" W x 1 1/2" D				10
65-598	1'x4' Slim Frame Kit	48 1/16" L x 12 1/16" W x 2 3/8" D				10
65-599	2'x4' Slim Frame Kit	23 15/16" L x 48 1/16" W x 2 3/8" D				10
65-600	2'x2' Slim Frame Kit	23 15/16" L x 24 1/16" W x 2 3/8" D				10

Consult Satco or visit www.satco.com for an up-to-date dimmer compatibility list. See warranty for details.

Product sheet NUI607

Specifications



Certifications



TROFFERS - SINGLE AND DOUBLE BASKET WATTAGE & CCT SELECTABLE



Features:

- CCT Selectable - 3500K/4000K/5000K
- Wattage Selectable
- Volumetric Design
- Operating Temperature -20°C to 40°C (-4°F to 104°F)
- Flicker-Free Driver
- Drop into T-bar Grid - Suitable for 15/16" and 9/16" T-Grid Systems
- 5 Year Warranty



ColorQuick™

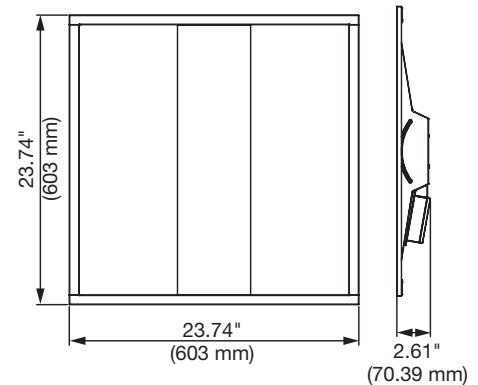
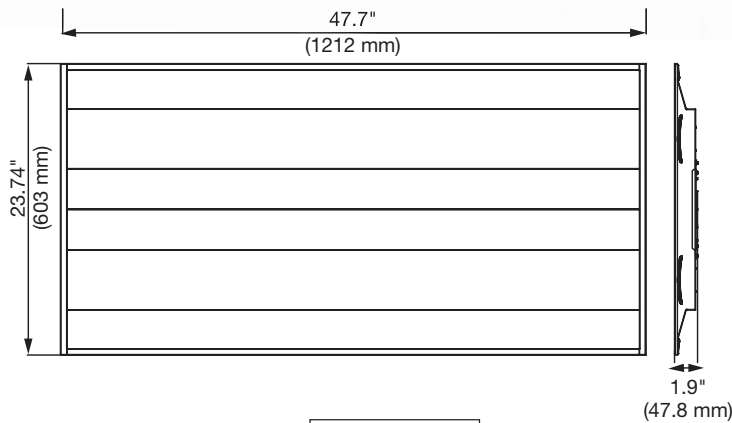
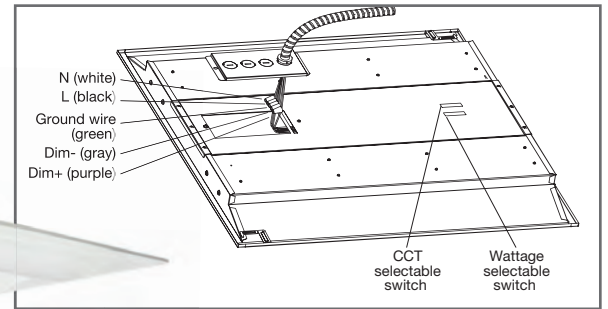
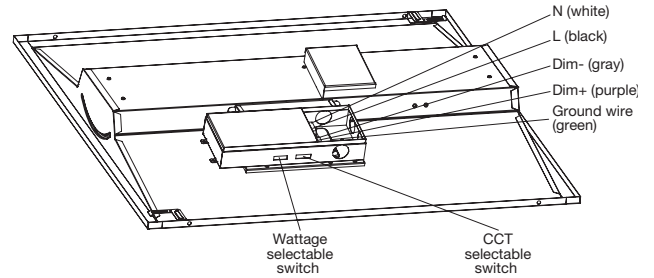
Selectable Color Technology

Switch to/from the following CCT



PowerQuick™

TROFFERS - SINGLE AND DOUBLE BASKET WATTAGE & CCT SELECTABLE



Selectable CCT
3500K, 4000K, 5000K

Item	Description	Watts	CCT Selectable	Lumens	Pack
65-690	2x2 Single Basket	30/35/40	3500K/4000K/5000K	3300-4400	1
65-691	2x4 Single Basket	30/40/50	3500K/4000K/5000K	3300-5500	1
65-692	2X2 EM Single Basket	30/35/40	3500K/4000K/5000K	3300-4400	1
65-693	2X4 EM Single Basket	30/40/50	3500K/4000K/5000K	3300-5500	1
65-694	2x2 Double Basket	30/35/40	3500K/4000K/5000K	3300-4600	1
65-695	2x4 Double Basket	30/40/50	3500K/4000K/5000K	3300-5750	1
65-696	2X2 EM Double Basket	30/35/40	3500K/4000K/5000K	3300-4600	1
65-697	2x4 EM Double Basket	30/40/50	3500K/4000K/5000K	3300-5750	1

Consult Satco or visit www.satco.com for an up-to-date dimmer compatibility list. See warranty for details.

Product sheet NU1628

Specifications



Certifications



DOWNLIGHT RETROFITS - FIELD SELECTABLE



Features:

- High efficiency/environmentally friendly
- 3 Wattage Selectable
- 5 CCT Selectable
- 2 Styles: Round & Square
- 2 Styles: For 4" and 5/6"
- Standard Recessed Housing
- Dimmable*
- Wet location
- ENERGY STAR® certified
- T20/T24 Compliant
- Long life—50,000 hours
- 5 Year warranty



DOWNLIGHT RETROFITS - FIELD SELECTABLE



E26 Adapter included (S9001)



GU10 Adapter sold separately (S9000)



GU24 Adapter sold separately (S8999)



Pressure Bracket (80-2676)

Item	Description	Watts	Lumens	CCT	Pack
Round					
S18800	7.5W/5LED/RDL/4/WS/5CCT/RD	5W/6W/7.5W	500L/600L/700L	2700K/3000K/3500K/4000K/5000K	16
S18801	13W/7LED/RDL/5-6/WS/5CCT/RD	7W/10W/13W	750L/1050L/1300L	2700K/3000K/3500K/4000K/5000K	8
Square					
S18802	8W/5.5LED/RDL/4/WS/5CCT/SQ	5.5W/6.5W/8W	500L/600L/700L	2700K/3000K/3500K/4000K/5000K	16
S18803	14.5W/8LED/RDL/5-6/WS/5CCT/SQ	7.5W/10.5W/14.5W	750L/1050L/1300L	2700K/3000K/3500K/4000K/5000K	8

*Consult Satco or visit www.satco.com for an up-to-date dimmer compatibility list. See warranty for details.

Product sheet SA1272

Specifications



Certifications



DOWNLIGHT RETROFITS - CCT SELECTABLE

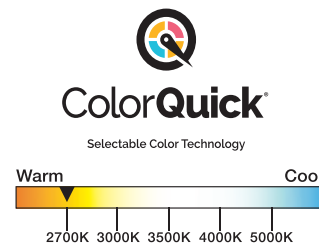


Features:

- 5 Selectable CCT settings
- SKU reducer - 35 products, only 7 SKU's
- 3 Styles: Round, Square & Gimbal
- 2 Sizes: for 4" and 5/6" standard recessed housing
- Dimmable*
- Wet Location (Baffles)
- Damp Location (Gimbals)
- ENERGY STAR® certified
- T20/T24 Compliant
- Long life—50,000 Hours
- 5 Year warranty

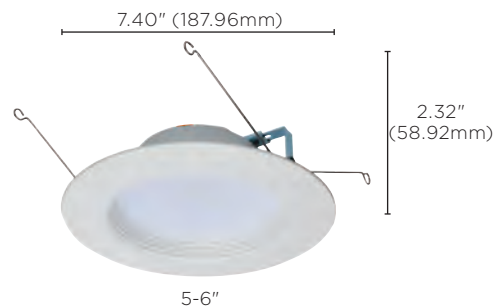


Color Selectable - 5 color temperature settings

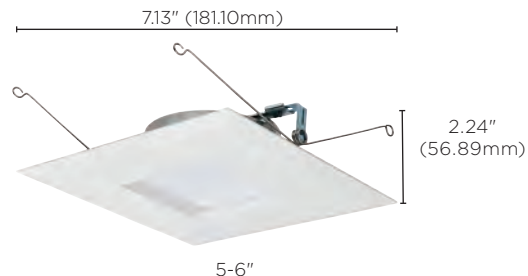
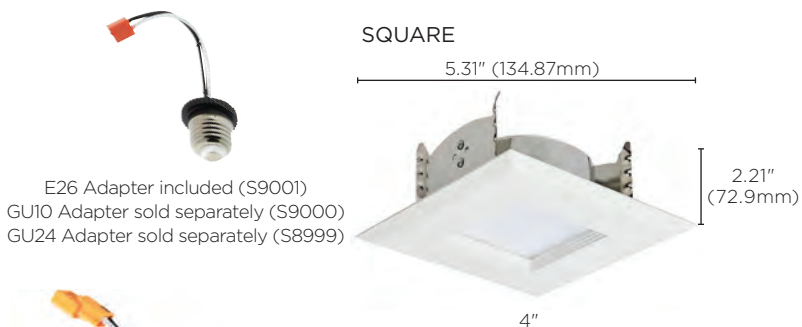


DOWNLIGHT RETROFITS - CCT SELECTABLE

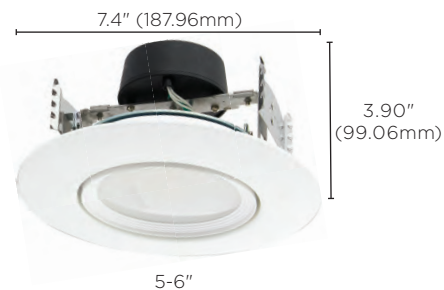
ROUND



SQUARE



GIMBAL



Item	Description	Watts	CCT Selectable	Lumens	Pack
Round					
S11800R1	6.7WLED/RDL/4/CCT-SEL/120V	6.7	2700K/3000K/3500K/4000K/5000K	600	16
S11801R1	9WLED/RDL/5-6/CCT-SEL/120V	9	2700K/3000K/3500K/4000K/5000K	800	8
S11825R1	13.7WLED/RDL/5-6/CCT-SEL/120V	13.7	2700K/3000K/3500K/4000K/5000K	1200	8
Square					
S11820R1	6.7WLED/RDL/SQ/4/CCT-SEL/120V	6.7	2700K/3000K/3500K/4000K/5000K	600	24
S11821R1	9WLED/RDL/SQ/5-6/CCT-SEL/120V	9	2700K/3000K/3500K/4000K/5000K	800	8
Gimbal					
S11822	7.5WLED/DIR/4/60/CCT-SEL/120V	7.5	2700K/3000K/3500K/4000K/5000K	600	8
S11824	10.5WLED/DIR/5-6/90/CCT-SEL/120V	10.5	2700K/3000K/3500K/4000K/5000K	800	8

*Consult Satco or visit www.satco.com for an up-to-date dimmer compatibility list. See warranty for details.

Product sheet SA2740

Specifications



Certifications



DOWNLIGHT RETROFITS - COLOR TRIMS



Features

- 5 Selectable CCT Settings
- 3 New Trim Finishes—
Black, Bronze And Brushed Nickel
- 2 Sizes - 4" and 5/6"
- Standard Recessed Housings
- Wet Location
- Dimmable*
- Energy Star Certified
- 50,000 Hrs

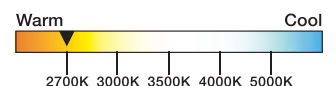


Color Selectable -
5 Color Temperature Settings



ColorQuick[®]

Selectable Color Technology



DOWNLIGHT RETROFITS - COLOR TRIMS



S11832 / 4" BLACK



S11835 / 5-6" BLACK



S11833 / 4" BRUSHED NICKEL



S11836 / 5-6" BRUSHED NICKEL



E26 Adapter included (S9001)
 GU10 Adapter sold separately (S9000)
 GU24 Adapter sold separately (S8999)



S11834 / 4" BRONZE



S11837 / 5-6" BRONZE



Pressure Bracket (80-2676)

Item	Description	Watts	CCT Selectable	Beam	Lumens
4"					
S11832	7WLED/RDL/4/CCT-SEL/120V/BL	7	2700K/3000K/3500K/4000K/5000K	90°	600
S11833	7WLED/RDL/4/CCT-SEL/120V/BN	7	2700K/3000K/3500K/4000K/5000K	90°	600
S11834	7WLED/RDL/4/CCT-SEL/120V/BZ	7	2700K/3000K/3500K/4000K/5000K	90°	600
5/6"					
S11835	9WLED/RDL/5-6/CCT-SEL/120V/BL	9	2700K/3000K/3500K/4000K/5000K	90°	800
S11836	9WLED/RDL/5-6/CCT-SEL/120V/BN	9	2700K/3000K/3500K/4000K/5000K	90°	800
S11837	9WLED/RDL/5-6/CCT-SEL/120V/BZ	9	2700K/3000K/3500K/4000K/5000K	90°	800

*Consult Satco or visit www.satco.com for an up-to-date dimmer compatibility list. See warranty for details.

Product sheet SA2380

Specifications



Certifications

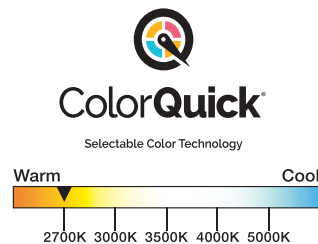


DOWNLIGHT RETROFITS - COLOR TRIM GIMBALS



Features

- 5 Selectable CCT settings
- 3 New trim finishes—Black, Bronze and Brushed Nickel
- 2 Sizes—4" and 5/6" Standard Recessed Housing
- Dimmable*
- IC Rated
- Damp Location
- 50,000 Hours
- ENERGY STAR Certified
- 5 Year Warranty



DOWNLIGHT RETROFITS - COLOR TRIM GIMBALS



S11854 / 4" BLACK



S11857 / 5-6" BLACK



S11855 / 4" BRUSHED NICKEL



S11858 / 5-6" BRUSHED NICKEL



S11856 / 4" BRONZE



S11859 / 5-6" BRONZE

Color Selectable - 5 color temperature settings



E26 Adapter included (S9001)
 GU10 Adapter sold separately (S9000)
 GU24 Adapter sold separately (S8999)



Torsion Springs Downlights 2pk (80-2709)

Item	Description	Watts	Finish	CCT	Lm	Beam Angle
4"						
S11854	7.5WLED/DIR/4/60/CCT-SEL/120V/BL	7.5	BLACK	2700K/3000K/3500K/4000K/5000K	600	60°
S11855	7.5WLED/DIR/4/60/CCT-SEL/120V/BN	7.5	BRUSHED NICKEL	2700K/3000K/3500K/4000K/5000K	600	60°
S11856	7.5WLED/DIR/4/60/CCT-SEL/120V/BZ	7.5	BRONZE	2700K/3000K/3500K/4000K/5000K	600	60°
5-6"						
S11857	10.5WLED/DIR/5-6/CCT-SEL/120V/BL	10.5	BLACK	2700K/3000K/3500K/4000K/5000K	800	90°
S11858	10.5WLED/DIR/5-6/CCT-SEL/120V/BN	10.5	BRUSHED NICKEL	2700K/3000K/3500K/4000K/5000K	800	90°
S11859	10.5WLED/DIR/5-6/CCT-SEL/120V/BZ	10.5	BRONZE	2700K/3000K/3500K/4000K/5000K	800	90°

*Consult Satco or visit www.satco.com for an up to date dimmer compatibility list.

Product sheet SA2896

Specifications



Certifications

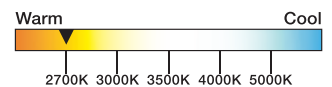


DOWNLIGHT RETROFITS - DEEP BAFFLE



Features:

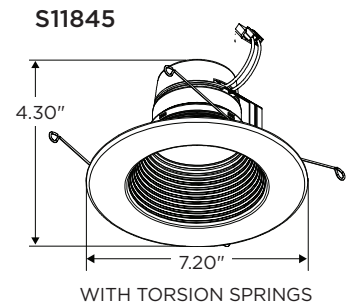
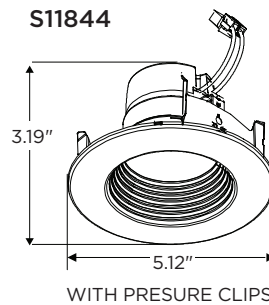
- 2700K/3000K/3500K/4000K/5000K Selectable
- Replaces 45W and 65W Reflectors
- Deep baffle reduces glare
- Dimmable down to 10%*
- Wet location
- 90 CRI
- 50,000 Hours
- 5 Year warranty



DOWNLIGHT RETROFITS - DEEP BAFFLE



Color selection switch:
 Warm White 2700K
 Soft White 3000K
 Neutral White 3500K
 Bright White 4000K
 Daylight 5000K



Item	Description	Watts	Volts	CCT Selectable	Lumens
S11844	7WLED/DB/4/CCT-SEL	7W	120V	2700K/3000K/3500K/4000K/5000K	600
S11845	9WLED/DB/6/CCT-SEL	9W	120V	2700K/3000K/3500K/4000K/5000K	800

*Visit www.satco.com for an up to date dimmer compatibility list

TRIMS AVAILABLE IN 4" AND 6" BLACK, BRONZE AND BRUSHED NICKEL CONFIGURATIONS:



DEEP BAFFLE TRIMS

Item	Description	Size	Finish
80-974	DEEP BAFFLE 4 INCH BLACK TRIM	4"	Black
80-975	DEEP BAFFLE 4 INCH BRONZE TRIM	4"	Bronze
80-976	DEEP BAFFLE 4 INCH BR NICK TRIM	4"	Brushed Nickel
80-977	DEEP BAFFLE 6 INCH BLACK TRIM	6"	Black
80-978	DEEP BAFFLE 6 INCH BRONZE TRIM	6"	Bronze
80-979	DEEP BAFFLE 6 INCH BR NICK TRIM	6"	Brushed Nickel

Product sheet SA2869

Specifications



Certifications



DOWNLIGHT RETROFITS - SINGLE CCT



Features:

- Direct replacement for reflector lamps
- High efficiency/environmentally friendly
- Dimmable*
- Wet location
- c-UL-us Classified
- Long life—35,000 hours
- ENERGY STAR® certified
- 3 Year warranty



DOWNLIGHT RETROFITS - SINGLE CCT



Item	Description	Lumens	CCT	Pack
S39312	7.2WLED/RDL/5-6/927/120V	650	2700K	12
S39313	7.2WLED/RDL/5-6/930/120V	650	3000K	12
S39314	7.2WLED/RDL/5-6/940/120V	650	4000K	12
S39315	7.2WLED/RDL/5-6/950/120V	650	5000K	12

Item	Description	Lumens	CCT	Pack
S11642	12.5WLED/RDL/5-6/927/120V	900	2700K	12
S11643	12.5WLED/RDL/5-6/930/120V	900	3000K	12
S11644	12.5WLED/RDL/5-6/940/120V	900	4000K	12
S11645	12.5WLED/RDL/5-6/950/120V	900	5000K	12

*Consult Satco or visit www.satco.com for an up-to-date dimmer compatibility list. See warranty for details.

Product sheet SA3032

Specifications

90 CRI

35,000 HOURS

DIMMABLE

WET LOCATION

120 VOLT

Certifications

UL CERTIFIED

ENERGY STAR

FC

RoHS COMPLIANT

TITLE 20

TITLE 24

DOWNLIGHT RETROFIT - VALUE PACK



Features:

- 6 Piece Pack For Value & Convenience
- Easy To Install
- 5/6" 65W Replacement
- 4" 45W Replacement
- Energy Star Certified
- Damp Location
- CA COMPLIANT: T20, T24
- 3 Year Warranty



DOWNLIGHT RETROFIT - VALUE PACK



S11640



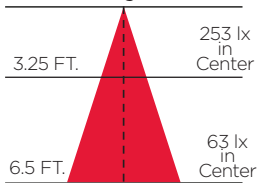
S11641



E26 Adapter included.
These retrofits are for use with recessed housings with an E26 socket only.

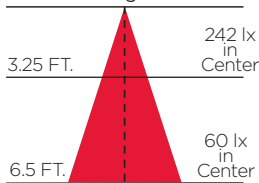


ILLUMINATION 8.7W
CCT 3000K
Beam Angle: 102°



Suitable Can Dimension	
TYPE:	4 Inch
Min. Height	5.6"
Diameter	3.93" Min.

ILLUMINATION 9.2W
CCT 3000K
Beam Angle: 102°



Suitable Can Dimension	
TYPE:	5/6 Inch
Min. Height	7.5"
Diameter	5.2" Min.

Item	Description	Watts	Volts	CRI	CCT	Lumens	Life/Hrs.	UPC	Pack/Mstr.
LED Downlight Retrofit 6 packs									
S11640	8.7WLED/RDL/4/930/120V/6PK	8.7W	120V	90	3000K	600	35K	045923116407	4
S11641	9.2WLED/RDL/5-6/930/120V/6PK	9.2W	120V	90	3000K	650	35K	045923116414	3

Consult Satco or visit www.satco.com for an up-to-date dimmer compatibility list. See warranty for details.

Product sheet SA2732

Specifications



Certifications



RECESSED DOWNLIGHT WITH NIGHT LIGHT

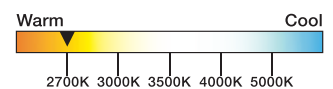


Features:

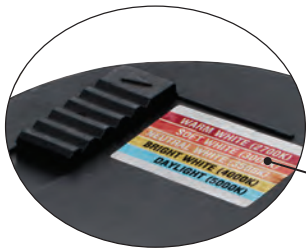
- Integrated Night Light
- 65W Incandescent Replacement
- 5 CCT Selectable
- Installs In 5/6" Recessed Housing
- Dual Mode (Standard and Night)
- Dimmable (Standard Light Mode)
- Replaces 45W And 65W Reflectors




ColorQuick[®]
Selectable Color Technology



RECESSED DOWNLIGHT WITH NIGHT LIGHT



Color Selection Switch

- Warm white 2700K
- Soft White 3000K
- Neutral White 3500K
- Bright White 4000K
- Daylight 5000K

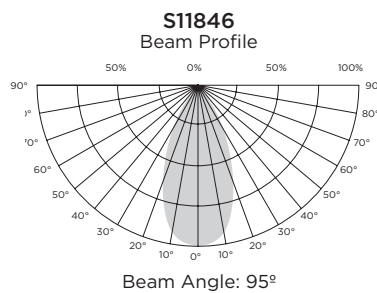
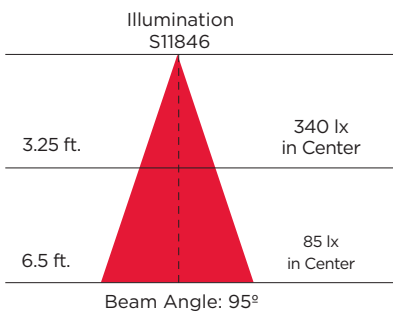


Night Light Ring

Toggle light switch to activate night light mode.



E26 Connector included



Specifications

90 CRI

WET LOCATION

DIMMABLE

50,000 HOURS

5 Year Warranty

TRUSTED NB FABRIANT

Certifications

UL LISTED

FC

ENERGY STAR

TITLE 20

TITLE 24

RoHS COMPLIANT

Item	Description	Size	Watts	CCT Selectable	Lm	Pack
S11846	Integrated LED Recessed Downlight with Night Light Feature	5/6"	7W	2700K/3000K/3500K/4000K/5000K	800	8
	Night Light Mode			2200K	150	

Product sheet SA2934

12V RECESSED DOWNLIGHT RETROFITS



Features:

- Dimmable
- Wet location listed
- Works with magnetic and electronic 12V transformers
- Long life—35,000 hours
- 3 Year warranty

Bi-Pin Adapter included



Item	Description	W	V	CRI	CCT	Lumens	Beam	Trim Finish	Trim Size (in.)	Life (hrs.)	UPC	Pack
S9729	7.5WLED/RDL/4"BFL/12V 90CRI 3K	7.5	12	90	3000K	460	90°	WH	4.94	35K	045923097294	12

Product sheet SA1174

QUICK TRIM® 4", 5"/6" LED RECESSED DOWNLIGHT RETROFIT 2-PACKS



Features:

- Direct replacement for reflector lamps
- Dimmable†
- Damp location listed
- Long life—25,000 hours
- ENERGY STAR® certified
- 3 Year warranty



Extends to reach the socket.
Retracts to meet the surface.

Step 1

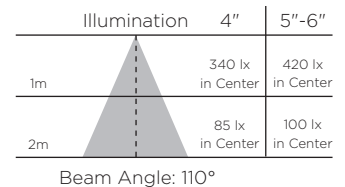


Screw lamp into existing socket.

Step 2



Push into the fixture until the trim is flush against surface.



Item	Description	W	V	CRI	CCT	Lumens	Beam	Trim Finish	Trim Size (in.)	Life (hrs.)	UPC	Pack
S9598	8.5W/LED/4"TRIM/2700K/120V/2PK	8.5	120	80+	2700K	510	110°	White	5.75	25K	045923095986	12/2
S9599	12W/LED/5-6"TRIM/2700K/120V/2P	12	120	80+	2700K	800	110°	White	8.25	25K	045923095993	12/2

†Consult Satco or visit www.satco.com for an up to date dimmer compatibility list.

Product sheet SA1965

READY RECESSED CAN

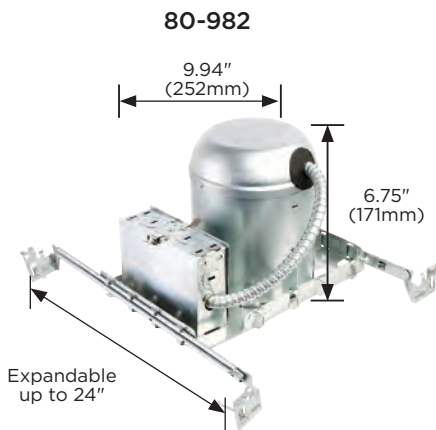
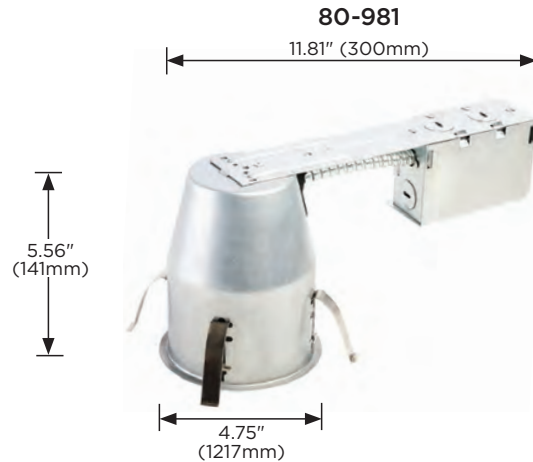
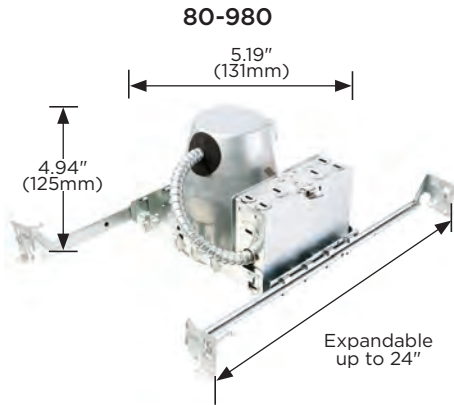


Features:

- Air tight rated
- Suitable for damp or wet locations
- cETLus Rated



READY RECESSED CAN



Item	Description	Case Quantity
80-980	4" Recessed Can for New Construction	6
80-981	4" Recessed Can for Remodel	6
80-982	5" Recessed Can for New Construction	6
80-983	5" Recessed Can for Remodel	6

Dimensions

Item	A	B	C	D
80-980	4.94"	4.31"	8.125"	5.19"
80-981	5.56"	4.75"	11.81"	4.75"
80-982	6.75"	5.62"	9.94"	6.88"
80-983	7.31"	6.06"	13.06"	4.75"

See warranty for details.

Product sheet SA2993

Specifications



Certifications

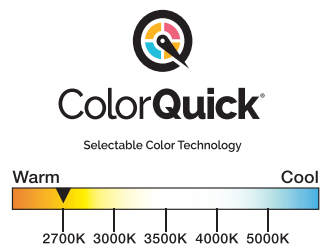


EDGE-LIT REMOTE DRIVER DOWNLIGHTS



Features:

- 5 CCT Settings - 27K/30K/35K/40K/50K
- <1" Ceiling Space Required
- No Recessed Can Required
- Remote Driver, Optional Extension Cable & Rough In Plates
- Wet Location
- Easy install spring clips
- IC Rated
- Air Tight
- 5 Year warranty



EDGE-LIT REMOTE DRIVER DOWNLIGHTS



8" Round - Edge Lit



8" Square - Edge Lit



6" Square - Edge Lit



6" Round - Edge Lit

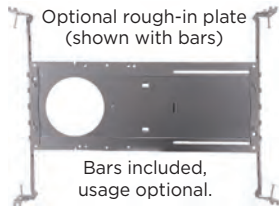


4" Square - Edge Lit



4" Round - Edge Lit

Height 1.02" (25.91mm)



Item	Description	Size	Watts	CCT	Lumens	Pack
Round						
S11826	10WLED/DW/EL/4/CCT/RND/WH	4"	10	2700/3000/3500/4000/5000K	650	12
S11827	12WLED/DW/EL/6/CCT/RND/WH	6"	12	2700/3000/3500/4000/5000K	900	12
S11828	24WLED/DW/EL/8/CCT/RND/WH	8"	24	2700/3000/3500/4000/5000K	1850	12
S11874	10WLED/DW/4/CCT-SEL/RND/RD/BK	4"	10	2700/3000/3500/4000/5000K	650	12
S11875	12WLED/DW/6/CCT-SEL/RND/RD/BK	6"	12	2700/3000/3500/4000/5000K	900	12
Square						
S11829	10WLED/DW/EL/4/CCT/SQ/WH	4"	10	2700/3000/3500/4000/5000K	600	12
S11830	12WLED/DW/EL/6/CCT/SQ/WH	6"	12	2700/3000/3500/4000/5000K	700	12
S11831	24WLED/DW/EL/8/CCT/SQ/WH	8"	24	2700/3000/3500/4000/5000K	1650	12
S11876	10WLED/DW/4/CCT-SEL/SQ/RD/BK	4"	10	2700/3000/3500/4000/5000K	600	12
S11877	12WLED/DW/6/CCT-SEL/SQ/RD/BK	6"	12	2700/3000/3500/4000/5000K	700	12
Accessories						
80-943	Rough-In Plate / Bars 4" Rd					12
80-944	Rough-In Plate / Bars 6" Rd					12
80-945	Rough-In Plate / Bars 8" Rd					12
80-946	Goof Ring 4" - 6" Outside Diameter					12
80-947	Goof Ring 6" - 8" Outside Diameter					12
80-948	Goof Ring 8" - 10.88" Outside Diameter					12
80-949	Remote Driver 6' Extension Cable					12
86-216	Remote driver temporary light					12
S8000	5W Emergency Driver					
S8002	10W Emergency Driver					
80-973	Emergency Driver Enclosure					

Specifications



Certifications



*Consult Satco or visit www.satco.com for an up-to-date dimmer compatibility list. See warranty for details.

CCT SELECTABLE SMOOTH BAFFLE REMOTE DRIVER DOWNLIGHTS



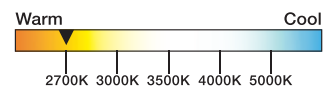
Features:

- 5 CCT Settings - 27K/30K/35K/40K/50K
- Dimmable*
- <1" Ceiling Space required
- No Recessed Can required
- Remote Driver, Optional Extension Cable & Rough In Plates
- Wet Location
- Easy Install Spring Clips
- IC Rated
- Air Tight
- 5 Year warranty

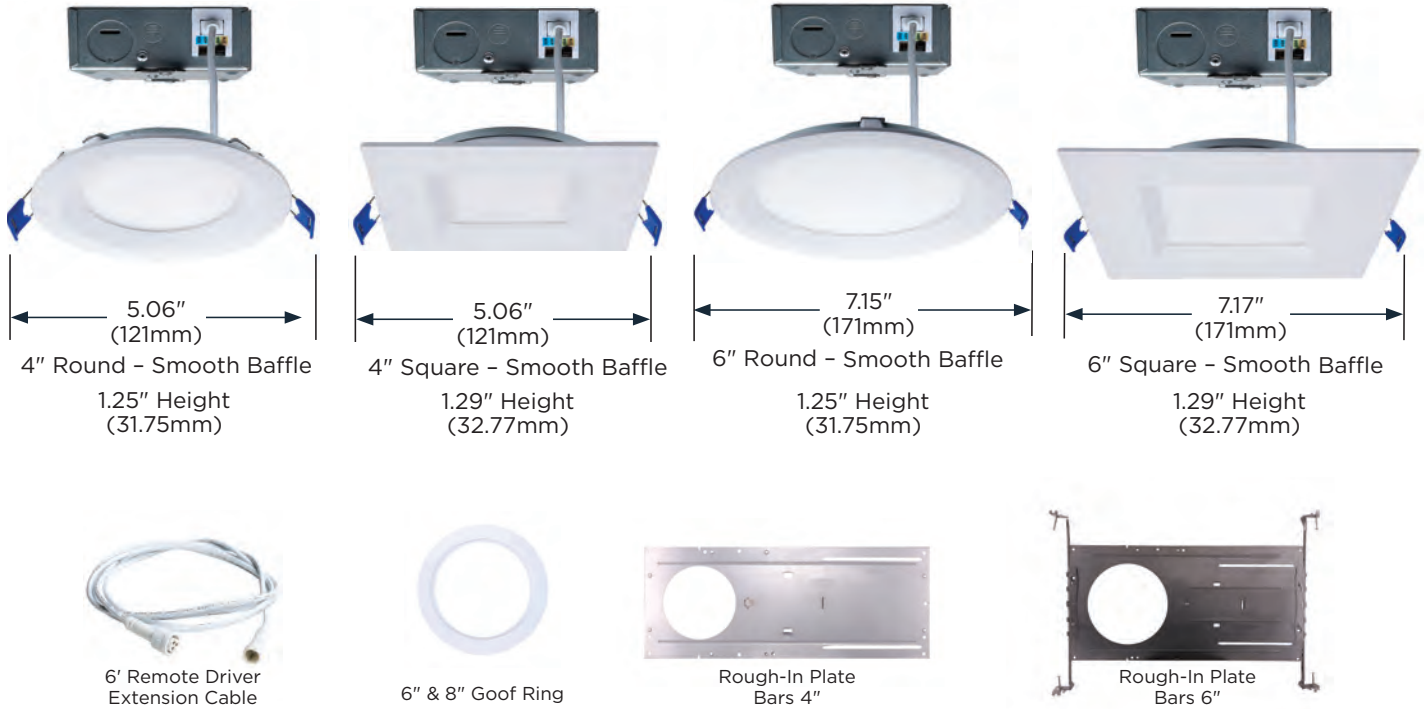


ColorQuick

Selectable Color Technology

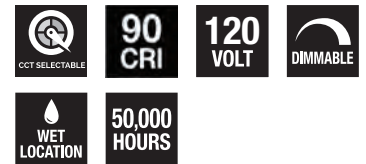


CCT SELECTABLE SMOOTH BAFFLE REMOTE DRIVER DOWNLIGHTS



Item	Description	Watts	CCT	Lumens	Pack
Round					
S11870	12WLED/DW/4/CCT-SEL/RND/RD/WH	12	2700/3000/3500/4000/5000K	850L	12
S11871	12WLED/DW/4/CCT-SEL/SQ/RD/WH	12	2700/3000/3500/4000/5000K	750L	12
S11872	15WLED/DW/6/CCT-SEL/RND/RD/WH	15	2700/3000/3500/4000/5000K	1100L	12
S11873	15WLED/DW/6/CCT-SEL/SQ/RD/WH	15	2700/3000/3500/4000/5000K	1000L	12
Accessories					
80-946	Goof Ring 4" - 6" Outside Diameter				12
80-947	Goof Ring 6" - 8" Outside Diameter				12
80-943	Rough-In Plate / Bars 4" Rd				12
80-944	Rough-In Plate / Bars 6" Rd				12
S8000	5W Emergency Driver				
S8002	10W Emergency Driver				
80-973	Emergency Driver Enclosure				
82-985	6' Remote Driver Extension Cable				12

Specifications



Certifications



*Consult Satco or visit www.satco.com for an up-to-date dimmer compatibility list. See warranty for details.

Product sheet SA3006

LOW PROFILE DIRECTIONAL DOWNLIGHT



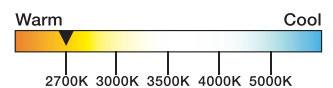
Features:

- 5 CCT Selectable
- Dimmable*
- 360° Rotation 30° when tilted
- Offered in 4" and 6" Round Models
- Adjustable Spring Clips
- Low Profile Design

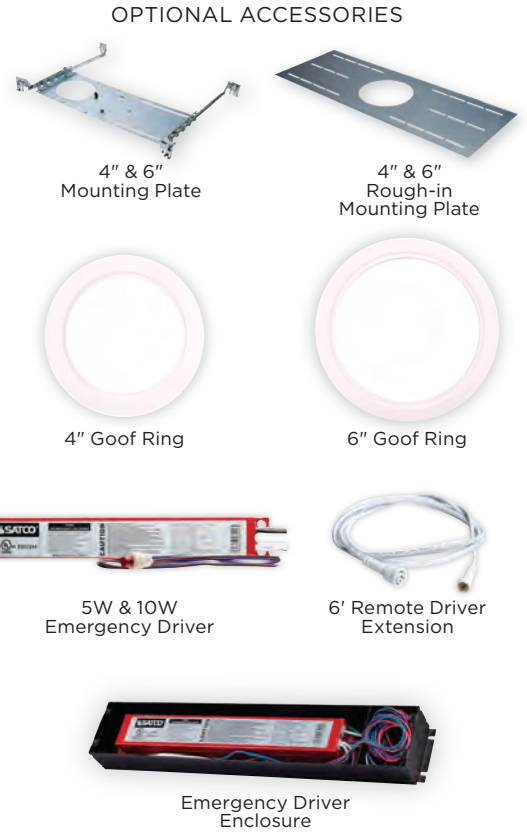
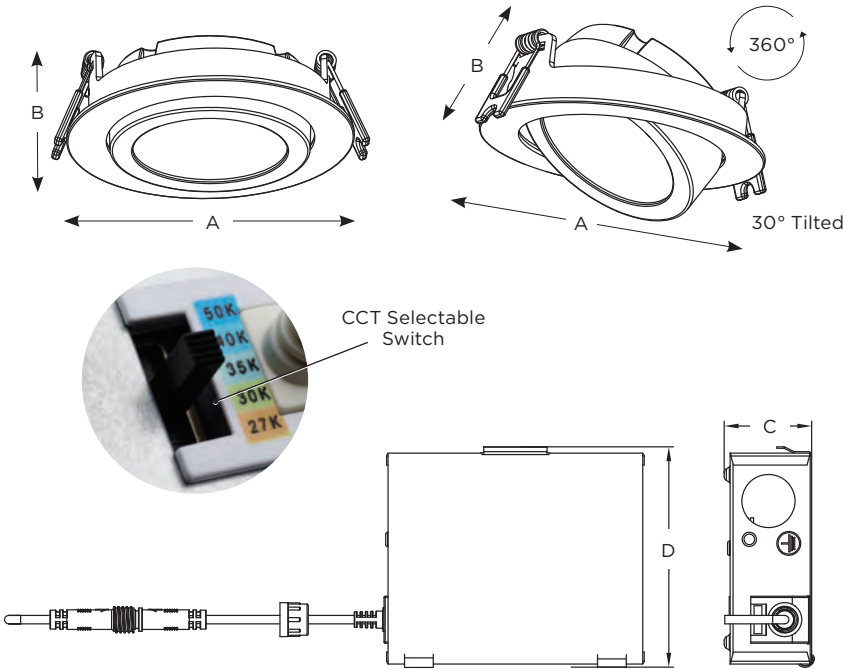


ColorQuick

Selectable Color Technology



LOW PROFILE DIRECTIONAL DOWNLIGHT



DIMENSIONS/WEIGHTS

Item	Diameter (A)	Height (B)	Height (C)	Length (D)	Weight
S11878	4.92"	1.57"	1.44"	3.62"	0.90 Lbs.
S11879	7.17"	1.88"	1.44"	3.62"	1.35 Lbs.

Item	Description	Watts	Lumens	CCT	Pack
S11878	11WLED/4/CCT/LP/RD/DIR/FL	11W	700	2700/3000/3500/4000/5000K	1
S11879	14WLED/6/CCT/LP/RD/DIR/FL	14W	1100	2700/3000/3500/4000/5000K	1
Optional Accessories					
80-943	4" Adjustable Mounting Plate with Hanger Bars				
80-944	6" Adjustable Mounting Plate with Hanger Bars				
80-950	4" Rough-In Mounting Plate				
80-951	6" Rough-In Mounting Plate				
80-946	4" Goof Ring				
80-947	6" Goof Ring				
S8000	5W Emergency Driver				
S8002	10W Emergency Driver				
80-973	Emergency Driver Enclosure				
80-985	6' Remote Driver 3-Pin Extension				

Specifications



Certifications



*Consult Satco or visit www.satco.com for an up-to-date dimmer compatibility list. See warranty for details.

FIRE RATED SLIM FIT REMOTE DRIVER DOWNLIGHTS



Features:

- Fire rated up to 2 hours
- Red painted backplate for easy identification
- 120V and 120/277V models available
- 5 CCT Selectable



Flat Lens



CCT Selectable

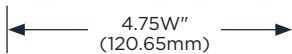


ColorQuick[®]
Selectable Color Technology

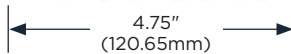
FIRE RATED SLIM FIT REMOTE DRIVER DOWNLIGHTS



.69" Ht
(17.53mm)



4" Fire Rated
Flat Lens Downlight
S11864/S11868

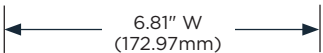


4" Fire Rated
Stepped Baffle Downlight
S11865

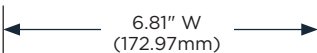


.69" Ht
(17.53mm)

6" Fire Rated
Flat Lens Downlight
S11866/S11867



6" Fire Rated
Stepped Baffle Downlight
S11867



ACCESSORIES



4" Rough In Plate



6" Rough In Plate



6' Remote Driver
Extension Cable



Rough-In Plate
Bars 4" & 6"

Item	Description	Watts	CCT	Lumens	Pack
Flat Lens					
S11864	10WLED/4/FR/CCT/SLF/RD/FL/RND	10	2700K/3000K/3500K/4000K/5000K	800	6
S11866	13WLED/6/FR/CCT/SLF/RD/FL/RND	13	2700K/3000K/3500K/4000K/5000K	1050	6
Stepped Baffle					
S11865	10WLED/4/FR/CCT/SLF/RD/STB/RND	10	2700K/3000K/3500K/4000K/5000K	800	6
S11867	13WLED/6/FR/CCT/SLF/RD/STB/RND	13	2700K/3000K/3500K/4000K/5000K	1050	6
Flat Lens 120-277V					
S11868	10WLED/4/CFR/CCT/SLF/RD/FL/RND	10	2700K/3000K/3500K/4000K/5000K	800	6
S11869	13WLED/6/CFR/CCT/SLF/RD/FL/RND	13	2700K/3000K/3500K/4000K/5000K	1050	6
Accessories					
80-943	4" Rough-In Remote Driver Mounting Plate				12
80-944	6" Rough-In Remote Driver Mounting Plate				12
80-950	Rough-In Plate / 4" Direct Wir				24
80-951	Rough-In Plate / 6" Direct Wir				24
80-946	Goof Ring 4 - Direct Wire DI				12
80-947	Goof Ring 6 - Direct Wire DI				12
S8000	5W Emergency Driver				
S8002	10W Emergency Driver				
80-973	Emergency Driver Enclosure				
80-985	6' Remote Driver Extension Cable				12

Consult Satco or visit www.satco.com for an up-to-date dimmer compatibility list.
See warranty for details.

Product sheet SA3014

Specifications



Certifications



ROUND LOW PROFILE REMOTE DRIVER DOWNLIGHTS

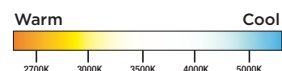


Features:

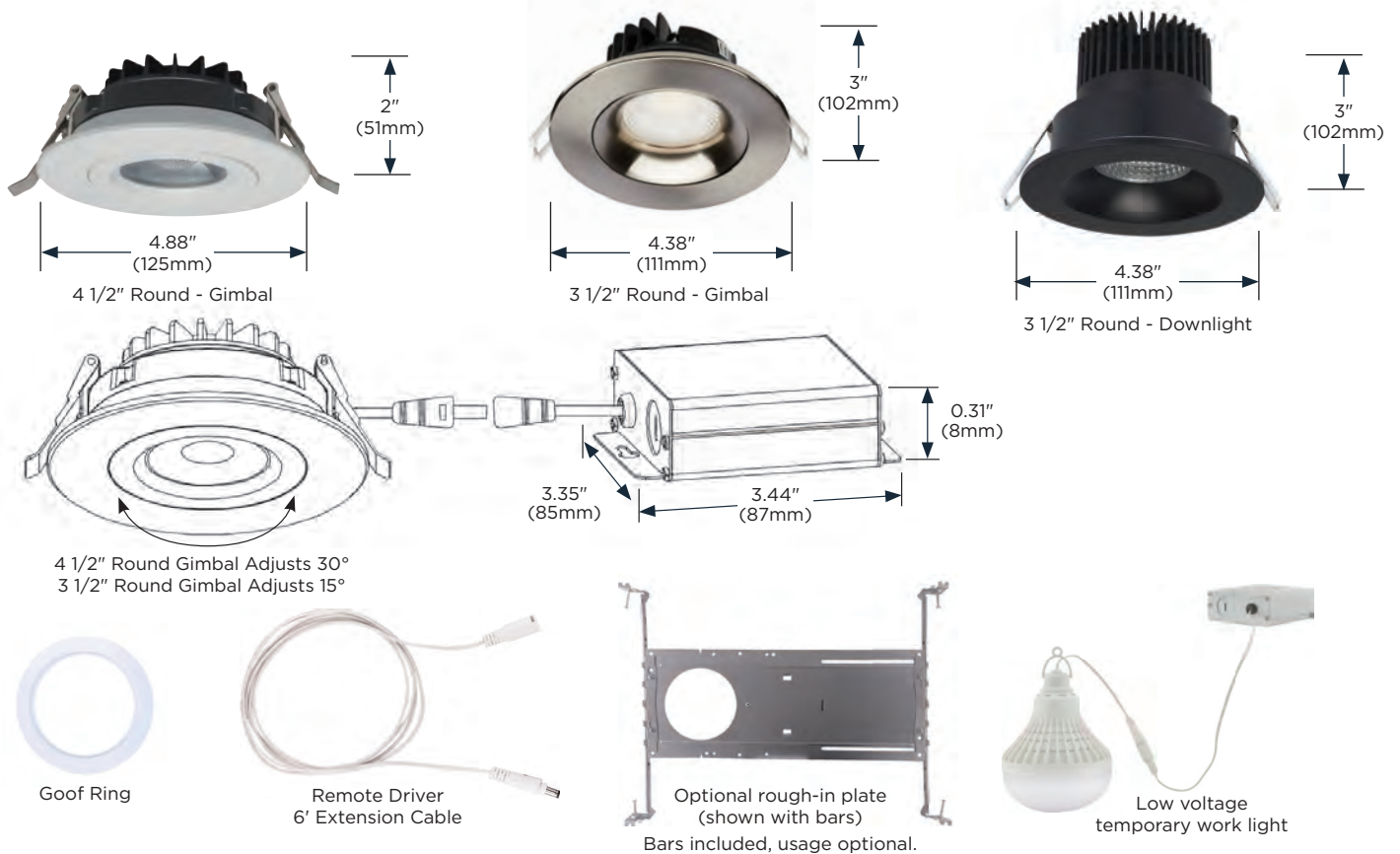
- No Recessed Can Required
- Integrated J-Box for Direct Wire Installation saves time and materials
- Remote Driver, Optional Extension Cable & Rough In Plates
- Wet location
- Easy Install Spring Clips
- IC Rated
- Air Tight
- 5 Year Warranty



ColorQuick[®]
Selectable Color Technology

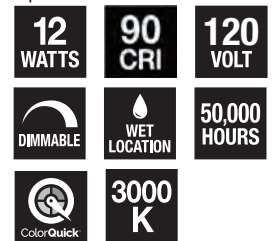


ROUND LOW PROFILE REMOTE DRIVER DOWNLIGHTS



Item	Description	CCT Selectable	Lumens	Pack
4 1/2" Round Gimbal				
S11618R1	12WLED/DW/GBL/4/CCT/RND/RD/White	2700/3000/3500/4000/5000K	850	12
S11619R1	12WLED/DW/GBL/4/CCT/RND/RD/Black	2700/3000/3500/4000/5000K	850	12
S11620R1	12WLED/DW/GBL/4/CCT/RND/RD/Brushed Nickel	2700/3000/3500/4000/5000K	850	12
3 1/2" Round Gimbal				
S11624R1	12WLED/DW/GBL/3/CCT/RND/RD/White	2700/3000/3500/4000/5000K	840	12
S11625R1	12WLED/DW/GBL/3/CCT/RND/RD/Black	2700/3000/3500/4000/5000K	840	12
S11626R1	12WLED/DW/GBL/3/CCT/RND/RD/Brushed Nickel	2700/3000/3500/4000/5000K	840	12
3 1/2" Round Downlight				
S11630	12WLED/DW/DNL3/930/RND/RD/White	3000K	840	12
S11631	12WLED/DW /DNL3/930/RND/RD/Black	3000K	840	12
S11632	12WLED/DW/DNL3/930/RND/RD/Brushed Nickel	3000K	840	12
Accessories				
80-942	Rough-in Plate / Bars 3.5" Rd			12
80-943	Rough-in Plate / Bars 4" Rd			12
80-946	Goof Ring 4" - for Direct Wire Downlight - 6" Outside Diameter			12
86-216	Remote Driver Temp Light			24
80-949	Remote Driver 6' Extension Cable			12
80-950	Rough-in Plate / 4" Direct Wire			24
S8000	5W Emergency Driver			
S8002	10W Emergency Driver			
80-973	Emergency Driver Enclosure			

Specifications



Certifications



Consult Satco or visit www.satco.com for an up-to-date dimmer compatibility list. See warranty for details.

Product sheet SA2517

SQUARE LOW PROFILE REMOTE DRIVER DOWNLIGHTS

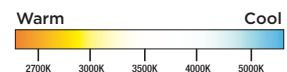


Features:

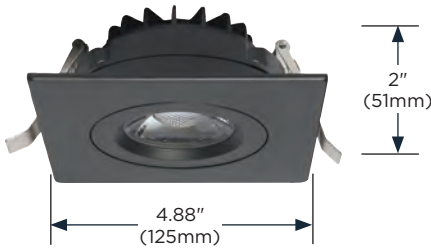
- No Recessed Can Required
- Integrated J-Box for Direct Wire Installation saves time and materials
- Remote Driver, Optional Extension Cable & Rough In Plates
- Wet Location
- Easy Install Spring Clips
- IC Rated
- Air Tight
- 5 Year Warranty



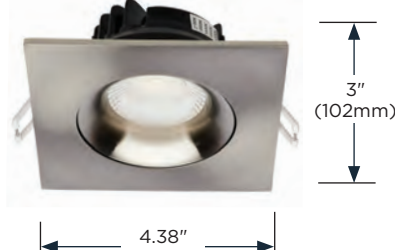
ColorQuick[®]
Selectable Color Technology



SQUARE LOW PROFILE REMOTE DRIVER DOWNLIGHTS



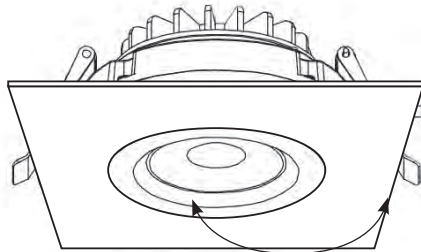
4 1/2" Square - Gimbal



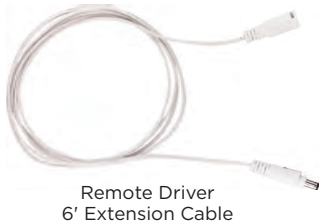
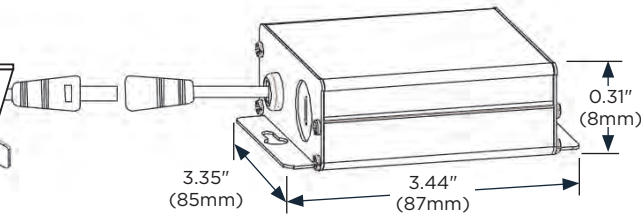
3 1/2" Square - Gimbal



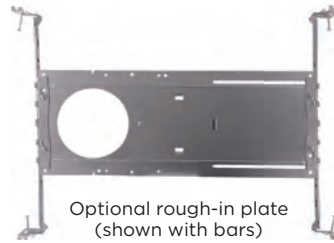
3 1/2" Square - Downlight



4 1/2" Square Gimbal Adjusts 30°
3 1/2" Square Gimbal Adjusts 15°



Remote Driver
6' Extension Cable



Optional rough-in plate
(shown with bars)
Bars included, usage optional.



Low voltage
temporary work light

Item	Description	CCT	Lumens	Pack
4 1/2" Square Gimbal				
S11621R1*	12WLED/DW/GBL/4/CCT/SQ/RD/White	2700/3000/3500/4000/5000K	850	12
S11622R1*	12WLED/DW/GBL/4/CCT/SQ/RD/Black	2700/3000/3500/4000/5000K	850	12
S11623R1*	12WLED/DW/GBL/4/CCT/SQ/RD/Brushed Nickel	2700/3000/3500/4000/5000K	850	12
3 1/2" Square Gimbal				
S11627R1*	12WLED/DW/GBL/3/SQ/CCT/RD/White	2700/3000/3500/4000/5000K	840	12
S11628R1*	12WLED/DW/GBL/3/SQ/CCTL/RD/Black	2700/3000/3500/4000/5000K	840	12
S11629R1*	12WLED/DW/GBL/3/SQ/CCT/RD/Brushed Nickel	2700/3000/3500/4000/5000K	840	12
3 1/2" Square Downlight				
S11633	12WLED/DW/DNL3/930/SQ/RD/White	3000K	840	12
S11634	12WLED/DW/DNL3/930/SQ/RD/Black	3000K	840	12
S11635	12WLED/DW/DNL3/930/SQ/RD/Brushed Nickel	3000K	840	12
Accessories				
80-942	Rough-In Plate / Bars 3.5" RD			12
80-943	Rough-In Plate / Bars 4" RD			12
80-949	Remote Driver 6' Extension Cable			12
80-950	Rough-In Plate / 4" Direct WIR			24
S8000	5W Emergency Driver			
S8002	10W Emergency Driver			
80-973	Emergency Driver Enclosure			
86-216	Remote Driver Temp Light			24

Specifications

- 12 WATTS
- 90 CRI
- 120 VOLT
- DIMMABLE
- WET LOCATION
- 50,000 HOURS
- ColorQuick
- 3000 K

Certifications

- ETL LISTED
- ENERGY STAR
- Efficiency Standards T24 California Title 24 Residential and Non-Residential Compliant

Consult Satco or visit www.satco.com for an up-to-date dimmer compatibility list. See warranty for details.

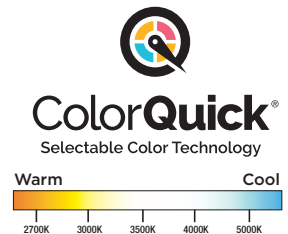
Product sheet SA2517

REMOTE DRIVER DOWNLIGHTS - CCT SELECTABLE

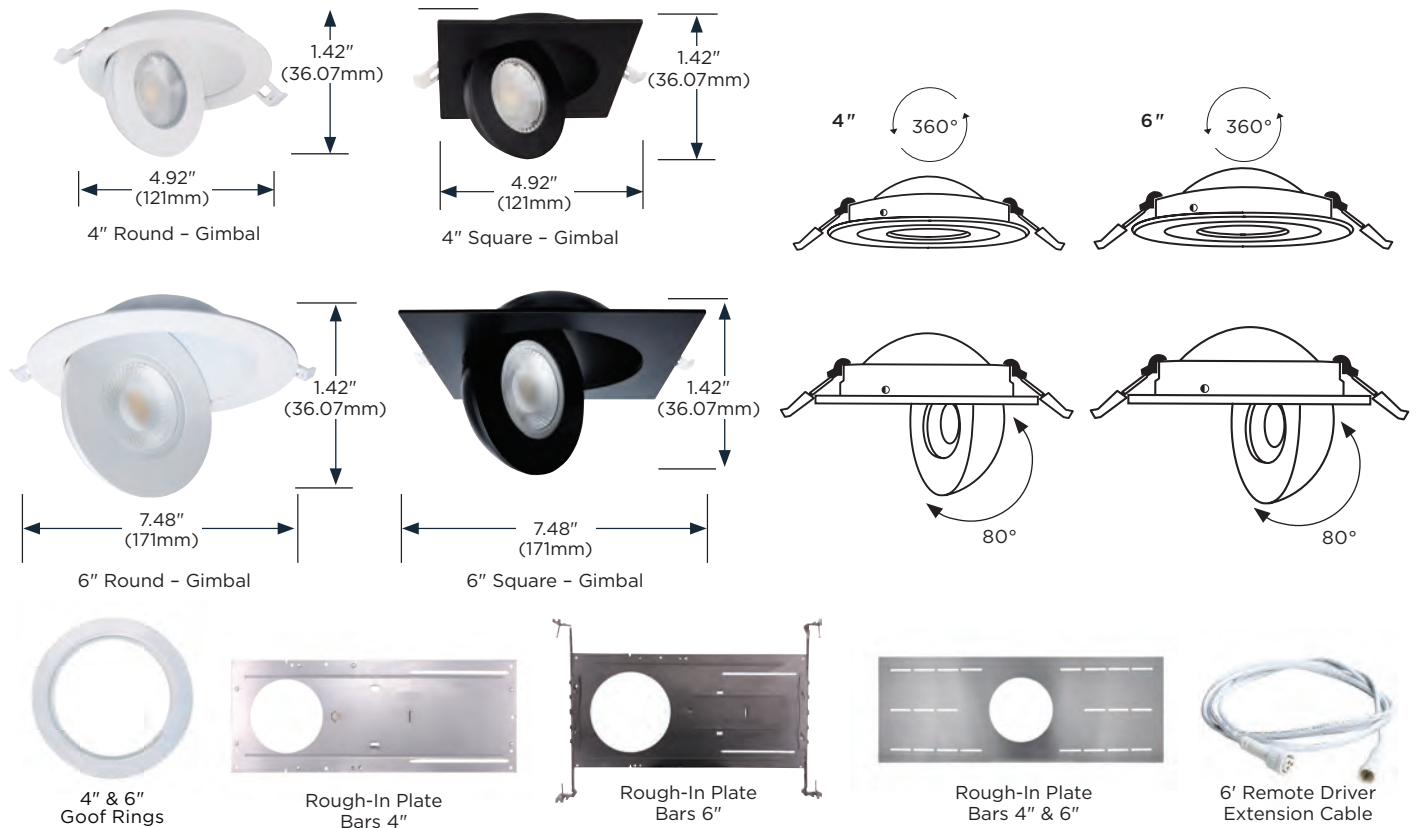


Features:

- 5 CCT Settings - 27K/30K/35K/40K/50K
- <1" Ceiling space required
- No recessed can required
- Remote Driver, Optional Extension Cable & Rough In Plates
- Wet location
- Easy install spring clips
- IC rated
- Air Tight
- 5 Year warranty



REMOTE DRIVER DOWNLIGHTS - CCT SELECTABLE



Item	Description	Watts	CCT	Lumens	Pack
Round					
S11840	9WLED/GBL/4/CCT/RND/WH	9	2700/3000/3500/4000/5000K	650L-750L	12
S11842	9WLED/GBL/4/CCT/RND/BLK	9	2700/3000/3500/4000/5000K	650L-750L	12
S11860	15WLED/GBL/6/CCT/RND/WH	15	2700/3000/3500/4000/5000K	1280L-1400L	12
S11862	15WLED/GBL/6/CCT/RND/BLK	15	2700/3000/3500/4000/5000K	1280L-1400L	12
Square					
S11841	9WLED/GBL/4/CCT/SQ/WH	9	2700/3000/3500/4000/5000K	650L-750L	12
S11843	9WLED/GBL/4/CCT/SQ/BLK	9	2700/3000/3500/4000/5000K	650L-750L	12
S11861	15WLED/GBL/6/CCT/SQ/WH	15	2700/3000/3500/4000/5000K	1280L-1400L	12
S11863	15WLED/GBL/6/CCT/SQ/BLK	15	2700/3000/3500/4000/5000K	1280L-1400L	12
Accessories					
80-950	Rough-In Plate / 4" Direct Wir				24
80-951	Rough-In Plate / 6" Direct Wir				24
80-952	Rough-In Plate / 6" Direct Wir				24
80-946	Goof Ring 4 - Direct Wire DI				12
80-947	Goof Ring 6 - Direct Wire DI				12
80-943	Rough-In Plate / Bars 4" Rd				12
80-944	Rough-In Plate / Bars 6" Rd				12
S8000	5W Emergency Driver				
S8002	10W Emergency Driver				
80-973	Emergency Driver Enclosure				
80-985	6' Remote Driver Extension Cable				12

Specifications

- CCT SELECTABLE
- 90 CRI
- 120 VOLT
- DIMMABLE
- WET LOCATION
- 50,000 HOURS

Certifications

- ETL US
- ENERGY STAR
- Efficiency Standards T24 California Title 24 Residential and Non-Residential Compliant

Consult Satco or visit www.satco.com for an up-to-date dimmer compatibility list. Product sheet SA2864
See warranty for details.

4" & 6" DIRECT WIRE EDGE-LIT DOWNLIGHTS



Features:

- No recessed can required
- Direct replacement for 45 Watt reflector
- Slim design, low profile
- Integrated J-Box for direct Wire Installation saves time and materials
- Damp location
- Dimmable*
- Easy install spring clips
- IC rated
- 5 Year warranty



4" & 6" DIRECT WIRE EDGE-LIT DOWNLIGHTS



Item	Description	CCT	Lumens	Pack
4"				
S39055	8.5WLED/DW/EL/4/27K/120V	2700K	500	12
S39056	8.5WLED/DW/EL/4/30K/120V	3000K	500	12
S39057	8.5WLED/DW/EL/4/40K/120V	4000K	540	12
S39058	8.5WLED/DW/EL/4/50K/120V	5000K	540	12
6"				
S39061	11.6WLED/DW/EL/5-6/27K/120V	2700K	730	12
S39062	11.6WLED/DW/EL/5-6/30K/120V	3000K	730	12
S39063	11.6WLED/DW/EL/5-6/40K/120V	4000K	780	12
S39059	11.6WLED/DW/EL/5-6/50K/120V	5000K	780	12

Accessories

80-946	Goof Ring 4" - Direct Wire DL - 6" Outside Diameter	12
80-950	Rough-In Plate/4" Direct Wire	24
80-947	Goof Ring 6" - Direct Wire DL - 8" Outside Diameter	12
80-951	Rough-In Plate/6" Direct Wire	24

*Consult Satco or visit www.satco.com for an up-to-date dimmer compatibility list. See warranty for details.

Product sheet SA2591

Specifications

8.5 WATTS

90 CRI

120 VOLT

DIMMABLE

DAMP LOCATION

40,000 HOURS

Certifications




Efficiency Standards
T24
California Title 24
Residential and
Non-Residential
Compliant

4" AND 6" DIRECT WIRE DOWNLIGHTS



Features:

- No recessed can required
- Direct replacement for 65 Watt reflector
- Low profile
- Integrated J-Box for direct wire installation saves time and materials
- Damp location
- Dimmable*
- Easy install spring clips
- IC rated
- 5 Year warranty



4" AND 6" DIRECT WIRE DOWNLIGHTS



Top view



Top view



2.75"
(70mm)

5.69" (145mm)



2.81"
(71mm)

6.69" (170mm)

Item	Description	CCT	Lumens	Pack
4"				
S39011	7WLED/DW/RDL/4/27K/120V	2700K	450	12
S39012	7WLED/DW/RDL/4/30K/120V	3000K	450	12
S39013	7WLED/DW/RDL/4/40K/120V	4000K	490	12
S39021	7WLED/DW/RDL/4/50K/120V	5000K	490	12
Accessories				
80-946	Goof Ring 4" - Direct Wire DL - 6" Outside Diameter			12
80-950	Rough-In Plate/4" Direct Wire			24
6"				
S39026	9WLED/DW/RDL/5-6/27K/120V	2700K	620	12
S39027	9WLED/DW/RDL/5-6/30K/120V	3000K	620	12
S39028	9WLED/DW/RDL/5-6/40K/120V	4000K	700	12
S39029	9WLED/DW/RDL/5-6/50K/120V	5000K	700	12
Accessories				
80-947	Goof Ring 6" - Direct Wire DL - 8" Outside Diameter			12
80-951	Rough-In Plate/6" Direct Wire			24

Specifications

9 WATTS

90 CRI

120 VOLT

DIMMABLE

WET LOCATION

40,000 HOURS

Certifications

Efficiency Standards
T24
California Title 24
Residential and
Non-Residential
Compliant

*Consult Satco or visit www.satco.com for an up-to-date dimmer compatibility list. See warranty for details.

REMOTE DRIVER COMMERCIAL DOWNLIGHTS



White reflector
80° beam angle

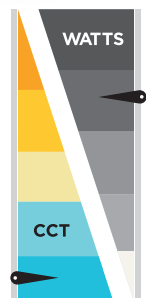
Silver reflector
40° beam angle

Features:

- Selectable Wattage and CCT
- Remote driver and J box with knockouts
- Quick connect feature for easy installation
- 120-277 range voltage circuit
- 0-10V Dimming*
- Damp location
- 5 Year warranty



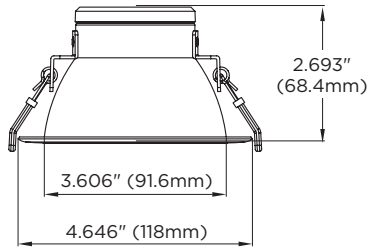
FIELD



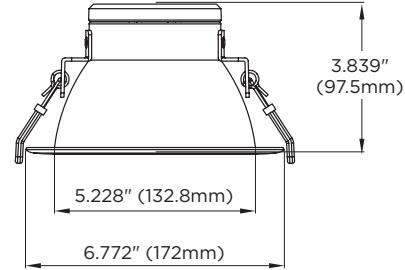
SELECT

REMOTE DRIVER COMMERCIAL DOWNLIGHTS

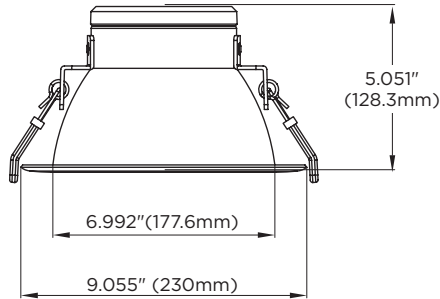
4 inch LED Commercial Downlight



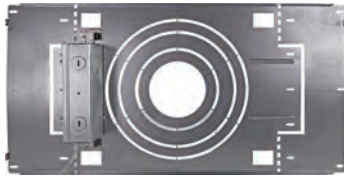
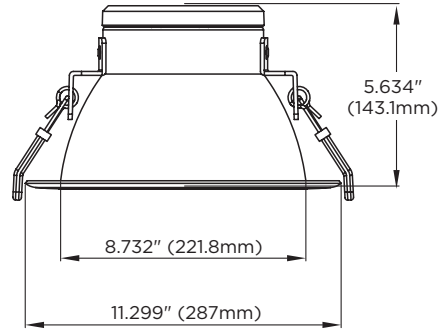
6 inch LED Commercial Downlight



8 inch LED Commercial Downlight



10 inch LED Commercial Downlight



Optional rough-in plate



Goof Ring

Item	Description	Watts	CCT	Lumens	Pack
S11810	14.5WLED/CDL/4/ADJ-CCT/80D	8.5/11/14.5	27K/30K/35K/40K/50K	600/800/1020	12
S11811	23WLED/CDL/6/ADJ-CCT/80D	11/16/23	27K/30K/35K/40K/50K	900/1200/1750	12
S11812	32WLED/CDL/8/ADJ-CCT/80D	19/26/32	27K/30K/35K/40K/50K	1600/2000/2450	12
S11813	46WLED/CDL/10/ADJ-CCT/80D	33/40/46	27K/30K/35K/40K/50K	2500/3000/3500	12
S11814	14.5WLED/CDL/4/ADJ-CCT/40D	8.5/11/14.5	27K/30K/35K/40K/50K	600/800/1020	12
S11815	23WLED/CDL/6/ADJ-CCT/40D	11/16/23	27K/30K/35K/40K/50K	900/1200/1750	12
S11816	32WLED/CDL/8/ADJ-CCT/40D	19/26/32	27K/30K/35K/40K/50K	1600/2000/2450	12
S11817	46WLED/CDL/10/ADJ-CCT/40D	33/40/46	27K/30K/35K/40K/50K	2500/3000/3500	12
Accessories					
80-946	Goof Ring 4" - 6" Outside Diameter				12
80-947	Goof Ring 6" - 8" outside Diameter				12
80-948	Goof Ring 8" - 10.88" Outside Diameter				12
80-970	Goof Ring 10" - 13.25" Outside Diameter				12
80-949	Remote Driver 6' Extension Cable				12
80-959	Rough-In Plate/CDL 4/6/8/10				12
S8003	6W LED/CDL EM Driver				12

*Consult Satco or visit www.satco.com for an up-to-date dimmer compatibility list. See warranty for details.

Product sheet SA2652

Specifications



Certifications



COMMERCIAL DOWNLIGHT EMERGENCY BATTERY BACKUP DRIVER



Features:

- 6 Watts / Up to 515 lumens in EM mode
- Led test switch and indicator light included
- Output and over-power protection
- 90 Minute battery run time
- Recharge 24 hours max.
- Long life, high temperature, recyclable lithium ion battery

Compatible with
Satco 4", 6", 8" and
10" Commercial
LED Downlights



COMMERCIAL DOWNLIGHT EMERGENCY BATTERY BACKUP DRIVER

Technical Description/Operation:

The Satco S8003 is a UL Listed emergency driver that allows the same LED fixture to be used for both normal and emergency operation. In the event of a power failure, it switches to the emergency mode and operates the existing for 90 minutes. The unit contains a battery, charger, and converter circuit in a single can and is available in different mounting configurations for use with the Satco LED Commercial Downlight series. The continual power design maintains the output wattage to the LED light sources resulting in non-diminishing brightness for the entire runtime.

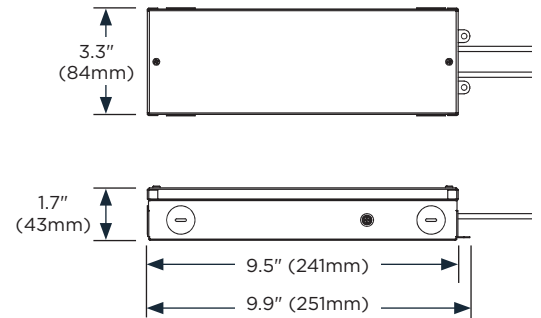


CAUTION: REPLACE BATTERY ONLY WITH YHBAL2-3.3

Specifications:

- Input voltage: 120-277VAC, 50/60Hz
- Output voltage: 20-50VDC
- Output power: 6 Watts
- Power factor: > 0.5
- Emergency operation: 90 Minutes
- Operating temperature: 32° (0°C) to 140° F (60°C)
- Meets UL 924 for Emergency Lighting

Dimensions



Item	Description	Watts	Volts	Pack
S8003	Comm. Downlight EM BU	6	100-277	20
Accessories				
80-959	Rough-In Plate/CDL 4/6/8/10			12

S8003 Lumen output in EM mode (90 min.)

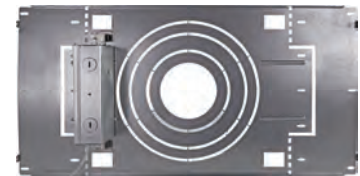
Only for use with:

Item	Size	Beam	Lumen Output
S11810	4"	80°	480
S11811	6"	80°	485
S11812	8"	80°	490
S11813	10"	80°	515
S11814	4"	40°	470
S11815	6"	40°	480
S11816	8"	40°	480
S11817	10"	40°	485

Specifications



Certifications



S8003 Emergency battery backup mounts directly to the 80-959 available rough-in plate.

COMMERCIAL DOWNLIGHTS - CCT SELECTABLE

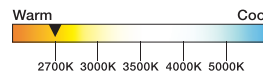


Features:

- Includes 18" Whip
- 120-277 Range Voltage Circuit
- 0-10V Dimming*
- 80CRI
- Damp Location
- cETLus Listed
- Energy Star Certified
- 5 Year Warranty



CCT Selectable



COMMERCIAL DOWNLIGHTS - CCT SELECTABLE



4" ECO Downlight
S11850

6" ECO Downlight
S11851

8" ECO Downlight
S11852

10" ECO Downlight
S11853



4", 6", 8", & 10" Rough-In Plates



4", 6", 8", & 10"
Goof Rings



Emergency Driver Enclosure



5W Emergency LED Driver



10W Emergency LED Driver

Item	Description	Watts	CCT	Lumens	Pack
S11850	12WLED/4"/FR/CCT/SLF/RD/FL/RND	12	2700K/3000K/3500K/4000K/5000K	1200	8
S11851	15WLED/6"/FR/CCT/SLF/RD/STB/RND	15	2700K/3000K/3500K/4000K/5000K	1600	8
S11852	22WLED/8"/FR/CCT/SLF/RD/FL/RND	22	2700K/3000K/3500K/4000K/5000K	2200	4
S11853	30WLED/10"/FR/CCT/SLF/RD/STB/RND	30	2700K/3000K/3500K/4000K/5000K	3500	4
Accessories					
80-946	GOOF RING 4 - DIRECT WIRE DL				12
80-947	GOOF RING 6 - DIRECT WIRE DL				12
80-948	GOOF RING 8 - DIRECT WIRE DL				12
80-970	GOOF RING 10 - COMMERCIAL DL				12
80-959	ROUGH-IN PLATE / CDL 4/6/8/10				12
80-973	EMERGENCY DRIVER ENCLOSURE				12
S8000	5W EMERGENCY LED DRIVER				25
S8002	10W EMERGENCY LED DRIVER				25

Specifications



Certifications



Consult Satco or visit www.satco.com for an up-to-date dimmer compatibility list. See warranty for details.

Product sheet SA2921

PRO SERIES LED TRACK HEADS



Features:

- Sleek Design, Rugged Construction
- Available in Black or White Textured Finish
- 10W/20W/30W Versions
- High Cri & R9 Values
- Multiple Lumen and Beam Angle Options
- Dimmable*



PRO SERIES LED TRACK HEADS



12W White
Length: 5", Width: 2"
Height: 2", Ext: 7.5



15W White
Length: 6.13", Width: 2.5"
Height: 2.5", Ext: 8.75



30W White
Length: 7.13", Width: 3.13"
Height: 3.13", Ext: 9.63



12W Black
Length: 5", Width: 2"
Height: 2", Ext: 7.5



15W Black
Length: 6.13", Width: 2.5"
Height: 2.5", Ext: 8.75



30W Black
Length: 7.13", Width: 3.13"
Height: 3.13", Ext: 9.63

Item	Description	Watts	Lumens	Beam	Pack
TH601	12W High Lumen - White	12	600	24°	12
TH602	12W High Lumen - Black	12	600	24°	12
TH603	12W High Lumen - White	12	600	36°	12
TH604	12W High Lumen - Black	12	600	36°	12
TH611	15W High Lumen - White	15	1200	24°	12
TH612	15W High Lumen - Black	15	1200	24°	12
TH613	15W High Lumen - White	15	1200	36°	12
TH614	15W High Lumen - Black	15	1200	36°	12
TH621	30W High Lumen - White	30	2000	24°	12
TH622	30W High Lumen - Black	30	2000	24°	12
TH623	30W High Lumen - White	30	2000	36°	12
TH624	30W High Lumen - Black	30	2000	36°	12

*Consult Satco or visit www.satco.com for an up-to-date dimmer compatibility list. See warranty for details.

Product sheet NU1674

Specifications



50,000 HOURS

Certifications



LED TRACK HEADS



Features:

- 24° and 36° beam angles
- Sleek, clean design
- Die cast construction
- 3 Year warranty



LED TRACK HEADS



Black

Pipe
Width: 2.375", Height: 2.375",
Length: 3.375", Ext. 6.25"



Brushed Nickel

Square
Width: 2.75", Height: 2.25",
Length: 2.375", Ext. 5.5"



Black

Pipe Dual
Width: 3.375", Height: 2.375",
Length: 2.375", Ext. 6"



White

Square Dual
Width: 6.75", Height: 2.375",
Length: 2.375", Ext. 6.5"

Item	Description	Watts	Beam	Lumens	Pack
TH441	Pipe - White	12	24°	1020	12
TH443	Pipe - White	12	36°	1020	12
TH442	Pipe - Black	12	24°	1020	12
TH444	Pipe - Black	12	36°	1020	12
TH445	Pipe - Brushed Nickel	12	24°	1020	12
TH447	Pipe - Brushed Nickel	12	36°	1020	12
TH461	Square - White	12	24°	1020	12
TH463	Square - White	12	36°	1020	12
TH462	Square - Black	12	24°	1020	12
TH464	Square - Black	12	36°	1020	12
TH465	Square - Brushed Nickel	12	24°	1020	12
TH467	Square - Brushed Nickel	12	36°	1020	12
TH480	Dual Pipe - Black	24	24°	2040	12
TH481	Dual Pipe - Black	24	36°	2040	12
TH482	Dual Pipe - White	24	24°	2040	12
TH483	Dual Pipe - White	24	36°	2040	12
TH484	Dual Square - Black	24	24°	2040	12
TH485	Dual Square - Black	24	36°	2040	12
TH486	Dual Square - White	24	24°	2040	12
TH487	Dual Square - White	24	36°	2040	12

Consult Satco or visit www.satco.com for an up-to-date dimmer compatibility list. See warranty for details.

Product sheet NU1634

Specifications



Certifications



LED TRACK HEADS



Features:

- | 24° and 36° beam angles
- | Sleek, clean design
- | Die cast construction
- | 3 Year warranty



LED TRACK HEADS



Black

Pinch Back
Width: 3.25", Height: 3.25",
Length: 3.625", Ext. 5.5"



Brushed Nickel

Angle Arm
Width: 2.75", Height: 2.75",
Length: 3.375", Ext. 5.75"



Black

Forged
Width: 2.75", Height: 2.75",
Length: 3", Ext. 6.25"



Brushed Nickel

Piston
Width: 2.75", Height: 2.75",
Length: 2.75", Ext. 5.75"

Item	Description	Beam	Pack
TH411	Pinch Back - White	24°	12
TH413	Pinch Back - White	36°	12
TH412	Pinch Back - Black	24°	12
TH414	Pinch Back - Black	36°	12
TH415	Pinch Back - Brushed Nickel	24°	12
TH417	Pinch Back - Brushed Nickel	36°	12
TH421	Angle Arm - White	24°	12
TH423	Angle Arm - White	36°	12
TH422	Angle Arm - Black	24°	12
TH424	Angle Arm - Black	36°	12
TH425	Angle Arm - Brushed Nickel	24°	12
TH427	Angle Arm - Brushed Nickel	36°	12
TH488	Forged - Black	24°	12
TH489	Forged - Black	36°	12
TH490	Forged - White	24°	12
TH491	Forged - White	36°	12
TH492	Forged - Brushed Nickel	24°	12
TH493	Forged - Brushed Nickel	36°	12
TH494	Piston - Black	24°	12
TH495	Piston - Black	36°	12
TH496	Piston - White	24°	12
TH497	Piston - White	36°	12
TH498	Piston - Brushed Nickel	24°	12
TH499	Piston - Brushed Nickel	36°	12

Specifications

12 WATTS	1020 LUMENS	90 CRI	120 VOLT
3000 K	DIMMABLE	30,000 HOURS	

Certifications



*Consult Satco or visit www.satco.com for an up-to-date dimmer compatibility list. See warranty for details.

LED TRACK HEADS



Features:

- 24° and 36° beam angles
- Sleek, clean design
- Die cast construction
- 3 Year warranty



LED TRACK HEADS



White

Round
Width: 3.25", Height: 3.25",
Length: 2.2", Ext. 7.125"



Black

Small Cylinder
Width: 2.25", Height: 2.25",
Length: 3.5", Ext. 6.375"

Item	Description	Finish	Beam	Pack
TH401	Round	White	24°	12
TH403	Round	White	36°	12
TH402	Round	Black	24°	12
TH404	Round	Black	36°	12
TH405	Round	Brushed Nickel	24°	12
TH407	Round	Brushed Nickel	36°	12
TH471	Small Cylinder	White	24°	12
TH473	Small Cylinder	White	36°	12
TH472	Small Cylinder	Black	24°	12
TH474	Small Cylinder	Black	36°	12
TH475	Small Cylinder	Brushed Nickel	24°	12
TH477	Small Cylinder	Brushed Nickel	36°	12
TH635	Round LED	Matte Black/Brushed Brass	24°	12
TH636	Round LED	Matte Black/Brushed Nickel	24°	12
TH645	Round LED	Matte Black/Brushed Brass	36°	12
TH646	Round LED	Matte Black/Brushed Nickel	36°	12
TH637	Small Cylinder LED	Matte Black/Brushed Brass	24°	12
TH638	Small Cylinder LED	Matte Black/Brushed Nickel	24°	12
TH647	Small Cylinder LED	Matte Black/Brushed Brass	36°	12
TH648	Small Cylinder LED	Matte Black/Brushed Brass	36°	12

Consult Satco or visit www.satco.com for an up-to-date dimmer compatibility list.
See warranty for details.

Product sheet NU1634

Specifications



Certifications



LED TRACK HEADS



Features:

- 24° and 36° beam angles
- Sleek, clean design
- Die cast construction
- 3 Year warranty



LED TRACK HEADS



Taper Back
Width: 2.875", Height: 2.875",
Length: 2.75", Ext. 5.75"



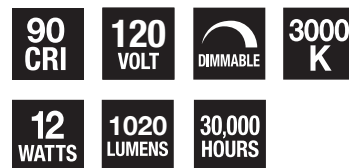
Barrel
Width: 2.25", Height: 2.25",
Length: 3.75", Ext. 5.75"



Cinch
Width: 2.25", Height: 2.25",
Length: 3.75", Ext. 5.75"

Item	Description	Finish	Beam Angle	Pack
TH431	Barrel	White	24°	12
TH433	Barrel	White	36°	12
TH432	Barrel	Black	24°	12
TH434	Barrel	Black	36°	12
TH435	Barrell	Brushed Nickel	24°	12
TH437	Barrel	Brushed Nickel	36°	12
TH451	Taper Back	White	24°	12
TH453	Taper Back	White	36°	12
TH452	Taper Back	Black	24°	12
TH454	Taper Back	Black	36°	12
TH455	Taper Backl	Brushed Nickel	24°	12
TH457	Taper Back	Brushed Nickel	36°	12
TH631	Cinch LED	Matte Black	24°	12
TH632	Cinch LED	Matte White	24°	12
TH633	Cinch LED	Matte Black/Brushed Brass	24°	12
TH634	Cinch LED	Matte Black/Brushed Nickel	24°	12
TH641	Cinch LED	Matte Black	36°	12
TH642	Cinch LED	White	36°	12
TH643	Cinch LED	Matte Black/Brushed Brass	36°	12
TH644	Cinch LED	Black/Nickel	36°	12

Specifications



Certifications



Product sheet NU1442

LED MONOPOINTS



Features:

- Instant accent lighting
- Adjustable head
- Wall & ceiling application
- 3 Year warranty



LED MONOPOINTS



Black
Barrel
Width 4.75", Height 4.25",
Length 2.75", Ext.4.75"



White
Barrel
Width 4.75", Height 4.25",
Length 2.75", Ext.4.75"



Black
Taper Back
Width 4.75", Height 4.5",
Length 2.75", Ext.5.75"



White
Taper Back
Width 4.75", Height 4.5",
Length 2.75", Ext.5.75"

Item	Description	Beam	Pack
62-1105	Barrel Mono-Point - Black	36°	12
62-1106	Barrel Mono-Point - White	36°	12
62-1107	Taper Back Mono-Point - Black	36°	12
62-1108	Taper Back Mono-Point - White	36°	12

*Consult Satco or visit www.satco.com for an up-to-date dimmer compatibility list. See warranty for details.

Product sheet NU1634

Specifications

12 WATTS	1020 LUMENS	90 CRI	120 VOLT
3000 K	DIMMABLE	30,000 HOURS	

Certifications



LED LINEAR TRACK BAR



Features:

- Installs directly onto track
- Rotates 270
- Perfect for wall washing
- Gallery lighting
- 4 Sizes available
- 3 year warranty



LED LINEAR TRACK BAR



1 Ft. Track Bar
Length 13.5", Width 1.5",
Height 1.5", Ext. 2"



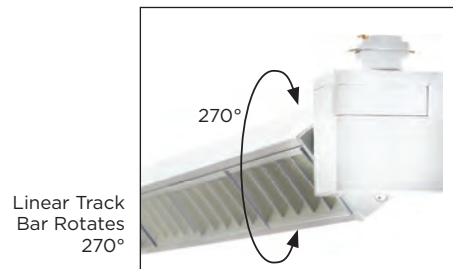
2 Ft. Track Bar
Length 24", Width 1.5",
Height 1.5", Ext. 2"



3 Ft. Track Bar
Length 34.25", Width 1.5",
Height 1.5", Ext. 2"



4 Ft. Track Bar
Length 44.75", Width 1.5",
Height 1.5", Ext. 2"

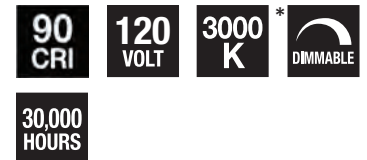


Item	Description	Watts	Lumens	Beam	Pack
TH500	1 Ft. Track Bar - White	15	960	30°	12
TH501	1 Ft. Track Bar - Black	15	960	30°	12
TH502	2 Ft. Track Bar - White	30	1920	30°	12
TH503	2 Ft. Track Bar - Black	30	1920	30°	12
TH504	3 Ft. Track Bar - White	45	2880	30°	12
TH505	3 Ft. Track Bar - Black	45	2880	30°	12
TH506	4 Ft. Track Bar - White	60	3840	30°	12
TH507	4 Ft. Track Bar - Black	60	3840	30°	12

*Consult Satco or visit www.satco.com for an up-to-date dimmer compatibility list. See warranty for details.

Product sheet NUI634

Specifications



Certifications



LED TRACK KITS



Features:

- Black, White or Brushed Nickel Finish
- 3 Head kits with popular styles
- 3060 lumens - 1020 lumens per head
- 36° beam angles
- Die cast construction
- 3 Year warranty
- Includes 4' track, floating canopy
power feed, all mounting hardware



LED TRACK KITS



Round White



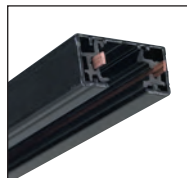
Pinch Back Black



Angle Arm Brushed Nickel



3 Conductor "H" type connector



Track with end cap removed

Item	Description	Watts	Lumens	Beam	Pack
TK403	Round 3 Light - White	3 x 12	3 x 1020	36°	4
TK404	Round 3 Light - Black	3 x 12	3 x 1020	36°	4
TK407	Round 3 Light - Brushed Nickel	3 x 12	3 x 1020	36°	4
TK413	Pinch Back 3 Light - White	3 x 12	3 x 1020	36°	4
TK414	Pinch Back 3 Light - Black	3 x 12	3 x 1020	36°	4
TK417	Pinch Back 3 Light - Brushed Nickel	3 x 12	3 x 1020	36°	4
TK423	Angle Arm 3 Light - White	3 x 12	3 x 1020	36°	4
TK424	Angle Arm 3 Light - Black	3 x 12	3 x 1020	36°	4
TK427	Angle Arm 3 Light - Brushed Nickel	3 x 12	3 x 1020	36°	4

*Consult Satco or visit www.satco.com for an up-to-date dimmer compatibility list. See warranty for details.

Product sheet NU1634

Specifications



Certifications



TRACK AND ACCESSORIES

TRACKS

Available in black, white or brushed nickel
Two dead end caps and all mounting hardware included



Color	2 Ft.	4 Ft.	6 Ft.	8 Ft.
White	TR118	TR120	TR124	TR122
Black	TR119	TR121	TR125	TR123
Br. Nickel	TR126	TR127	TR128	TR129

3 Conductor
"H" type connector

TRACK CURRENT LIMITERS

Track current limiter electrifies the track and limits current with built-in resettable circuit breaker



TL110

Color	0.5A	1A	2A	3A	5A	8A	12A
White	TL100	TL101	TL102	TL103	TL104	TL105	TL106
Black	TL110	TL111	TL112	TL113	TL114	TL115	TL116

TRACK POWER FEEDS AND CONNECTORS



LIVE END AND CANOPY

Electrifies the track from the end of the run (Pack: 12)

TP152 White
TP153 Black



CONDUIT LIVE END

Electrifies the track from the end of the run to a conduit pipe

TP169 White
TP170 Black



FLOATING CANOPY FEED

Electrifies the track anywhere along the length of the run

TP154 White
TP155 Black



INLINE FEED

Connects tracks in a straight run and supplies power

TP171 White
TP172 Black



CURRENT LIMITER CANOPY TRACK PLATE

Need Text

TP212 White
TP213 Black



MINI STRAIGHT CONNECTOR

Connects tracks in a straight run (Pack: 12)

TP144 White
TP145 Black



FLEXIBLE CONNECTOR

Connects track and supplies power at variable angles

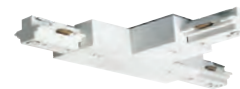
TP167 White
TP168 Black



"L" CONNECTOR

Connects tracks and supplies power at a 90° angle

TP146 White
TP147 Black



"T" CONNECTOR

Connects tracks and supplies power in a "T" shape pattern

TP148 White
TP149 Black



"X" CONNECTOR

Connects tracks and supplies power in an "X" shape pattern

TP150 White
TP151 Black

Various other accessories available including extension wands, pendant adapters, suspension kits and more!
See Catalog NU-1350 or NU-4050 for complete track program

TRACK ACCESSORIES

CANOPY POWER FEED



Live End and Canopy Reverse Polarity
Electrifies the track from the end of the run.
(Pack: 48)
TP218 White
TP219 Black
TP220 Brown



L Connector; Reverse Polarity
Connects track and supplies power at a 90° angle.
(Pack: 12)
TP234 Black
TP235 White
TP236 Brown



T Connector; Reverse Polarity
Connects track and supplies power in a "T" shaped pattern.
(Pack: 12)
TP237 Black
TP238 White
TP239 Brown

TRACK CABLE SUSPENSION



Track Suspension Aircraft Cable
Suspends track up to 12' from two canopies included
2' and 4' Track - 1 Pack
6' and 8' Track - 2 Packs
(Pack: 12)
TP240 White
TP241 Black
TP242 Brushed Nickel

PENDANT CHAIN HUNG ADAPTER



Pendant Loop Track Adapter
Converts most chain hung fixtures for use on track. Up to 10Lbs.
(Pack: 100)
TP215 White
TP216 Black
TP217 Brown

PENDANT TRACK ADAPTER - SVT CABLE



Pendant Track Adapter
Converts most cable hung fixtures for use on track. Up to 10Lbs.
(Pack: 100)
TP231 White
TP232 Black
TP233 Brown

PENDANT TRACK ADAPTER - STEM HUNG



Pendant Track Adapter- Stem Hung
Converts must be 1/8" IP Stem Hung Fixtures for use on track. Up to 10Lbs.
(Pack: 100)
TP244 White
TP245 Black
TP246 Brown

COUNTERQUICK™ LINKABLE UNDER CABINET LIGHTING



Features:

- CCT selectable 3000K, 4000K, 5000K
- 8", 11", 14", 22" and 28" lengths
- Sleek design - only 1" deep
- Linkable up to 96 units
- Direct wire, plug in or J-box
- Many available accessories
- 5 Year warranty



ColorQuick®
Selectable Color Technology

COUNTERQUICK™
LED Linkable Under Cabinet Fixture

COUNTERQUICK™ LINKABLE UNDER CABINET LIGHTING

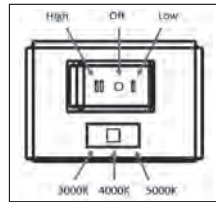
An innovative, sleek lighting solution for virtually any under cabinet application

LINK UP TO:

63-500	96 units
63-501	72 units
63-502	48 units
63-503	36 units
63-504	22 units



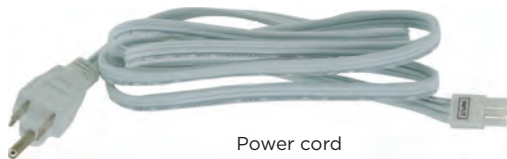
Linkable Up To 96 Units



Color Temperature and Hi-Low Selectable



Optional accessories that add versatility and make installation easy



Power cord
63-510



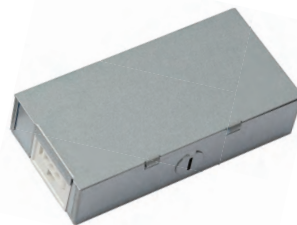
Link cable
63-515 (6"), 63-516 (12"), 63-517 (24")



Male-to-female link connector
63-518



Junction box / plastic
63-513



Junction box / metal
63-514



3/8" Wire connector
63-512



End connector
63-511

Item	Description	Watts	Lumens	CCT Selectable	Pack
63-500	8" - White	5	350	3000K/4000K/5000K	4
63-501	11" - White	6.5	450	3000K/4000K/5000K	4
63-502	14" - White	9	650	3000K/4000K/5000K	4
63-503	22" - White	13	920	3000K/4000K/5000K	4
63-504	28" - White	17	1350	3000K/4000K/5000K	4

Accessories

63-510	Power Cord				100
63-511	End Connector				1000
63-512	3/8" Wire Connector				300
63-513	Junction Box - Plastic				100
63-514	Junction Box - Metal				100
63-515	Link Cable 6"				200
63-516	Link Cable 12"				200
63-517	Link Cable 24"				200
63-518	Link Connector				1000

Specifications



Certifications



Consult Satco or visit www.satco.com for an up-to-date dimmer compatibility list. See warranty for details.

Product sheet NU1668

COUNTERQUICK™ LINKABLE UNDER CABINET LIGHTING - SMART



works with
Google Home

Add to Siri

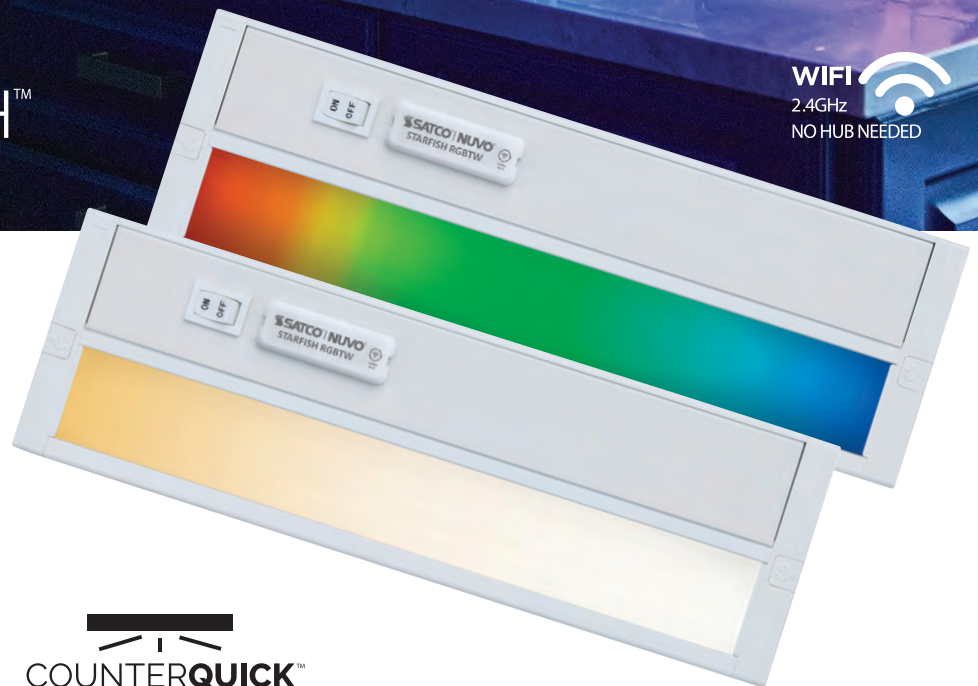
works with alexa

 **STARFISH™**
live life enl:ghtened

WIFI 
2.4GHz
NO HUB NEEDED

Features:

- Starfish Wi-Fi Technology
- Color Changing RGB and Warm-to-Cool Tunable White
- Superior Light Quality, Color and Energy Savings
- Dimmable via APP
- Wi-Fi Enabled
no Hub Required
- Dry Location Rated
for Indoor Use

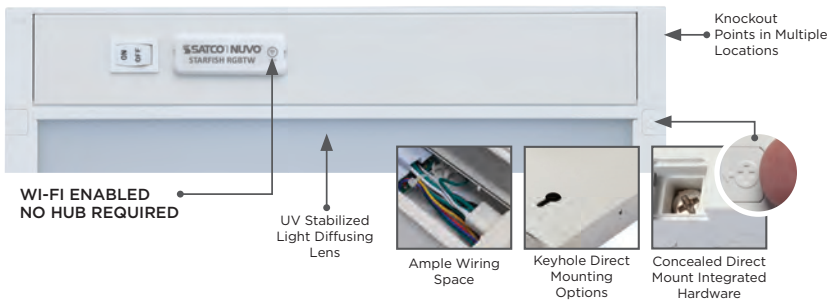



COUNTERQUICK™
LED Linkable Under Cabinet Fixture

COUNTERQUICK™ LINKABLE UNDER CABINET LIGHTING - SMART



(location of knockout points and keyholes may vary based on fixture size)



OPTIONAL ACCESSORIES



Item	Description	Watts	Lumens	Dimensions L x W x H	Connection Qty
63-551	11" LED RGB Smart	6.5	450	11" x 3.5" x 1"	up to 72
63-552	14" LED RGB Smart	9	650	14" x 3.5" x 1"	up to 48
63-553	22" LED RGB Smart	13	920	22" x 3.5" x 1"	up to 36
63-554	28" LED RGB Smart	17	1350	28" x 3.5" x 1"	up to 22
63-555	34" LED RGB Smart	20	1500	34" x 3.5" x 1"	up to 18

Accessories

Item	Description	Dimensions L x W x H	Master	Package
63-510	Power Cord	60" Length	96	Polybag
63-511*	End-to-End Connector (included)	1" Length	96	Polybag
63-512	3/8" Wire Connector (Attached to Junction Box)	1.5" x 0.67" x 0.35"	96	Polybag
63-513	Junction Box - Plastic	4" x 2" x 1"	48	Box
63-514	Junction Box - Metal	4" x 2" x 1"	48	Box
63-515	Link Cable 6"	6" Length	96	Polybag
63-516	Link Cable 12"	12" Length	96	Polybag
63-517	Link Cable 24"	24" Length	96	Polybag
63-518	Cable Link Connector	3" Length	96	Polybag

*Included End-to-End Connector can be reordered if needed

Specifications



Certifications



*Consult Satco or visit www.satco.com for an up-to-date dimmer compatibility list. See warranty for details.

UNDER CABINET LIGHT BAR

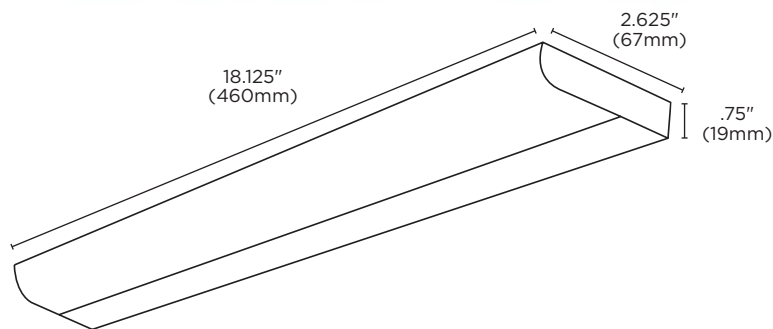


Features:

- 18" and 24" lengths
- Sleek design - only 1" deep
- Easy installation - Keyhole or 3M™ tape mounting
- Simple plug-in operation
- Damp location
- Standalone fixture



UNDER CABINET LIGHT BAR



Item	Description	Watts	Lumens	Pack
63-700	18" Light bar	10	860	12
63-701	24" Light bar	13.5	1050	12

See warranty for details.

Product sheet NU1671

Specifications

80 CRI **3000 K** **120 VOLT** **DAMP LOCATION**
50,000 HOURS

Certifications

LED HI-PRO SHOP LIGHT - 8" ROUND



Features:

- Rugged Design
- Wide Light Distribution
- 6' Cord with Molded Plug
- Plug-In or Hard Wire Installation
- Available in 3K, 4K, 5K CCT
- Threaded Lock Clasp
- 5 Year warranty



LED HI-PRO SHOP LIGHT - 8" ROUND



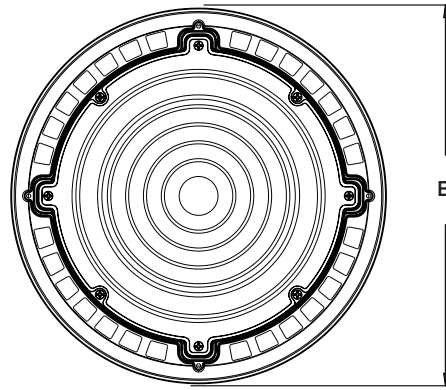
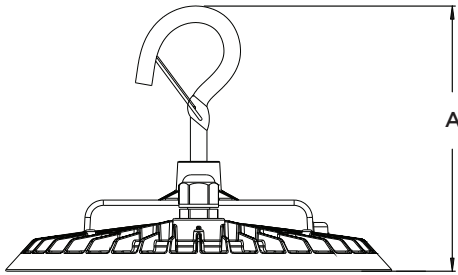
CAGE
(65-956)



YOKE MOUNT
(65-957, 65-598)



SUSPENSION KIT
(65-959)



Item	Finish	CCT	Watts	Lumens	Efficacy	Input Current	UPC
65-960	Black	3000K	60W	6274lm	105 LPW	0.500A	045923661150
65-961	Black	3000K	60W	6777lm	113 LPW	0.500A	045923661167
65-962	Black	3000K	60W	6900lm	115 LPW	0.500A	045923661174
65-963	Black	3000K	80W	8523lm	107 LPW	0.677A	045923661181
65-964	Black	4000K	80W	9071lm	114 LPW	0.677A	045923661198
65-965	Black	5000K	80W	9210lm	115 LPW	0.677A	045923661204
65-970	White	3000K	60W	6274lm	105 LPW	0.500A	045923661303
65-971	White	4000K	60W	6777lm	113 LPW	0.500A	045923661365
65-972	White	5000K	60W	6900lm	115 LPW	0.500A	045923661372
65-973	White	3000K	80W	8523lm	107 LPW	0.677A	045923661389
65-974	White	4000K	80W	9071lm	114 LPW	0.677A	045923661396
65-975	White	5000K	80W	9210lm	115 LPW	0.677A	045923661402

Product sheet NU1808

Specifications



Certifications



Optional Accessories

Item	Description	UPC
65-956	Cage	045923651793
65-957	Yoke Mount Black	045923651809
65-958	Yoke Mount White	045923651854
65-959	Suspension Kit	045923651861

Dimension

Item	A-Height	B- Diameter
65-960 to 65-975	5.63"	8.27"

SHOP LIGHTS



Features:

Hanging or flush
mount installation

5' Power cord

6" Hanging cables,
mounting screws and
drywall anchors included

Linkable up to 4 fixtures (62-928)

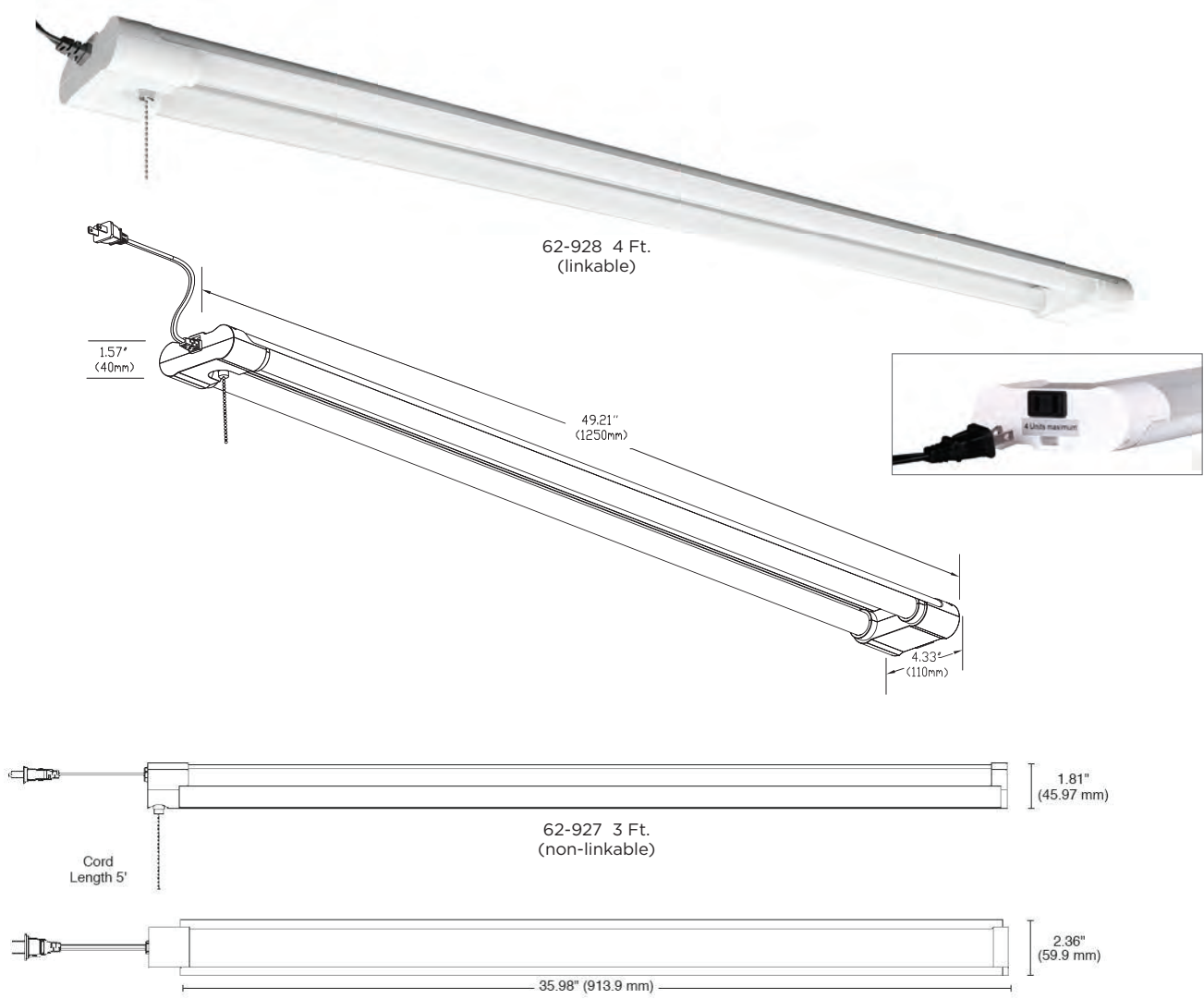
On/off pull chain

Easy installation

5 Year warranty



SHOP LIGHTS



Item	Description	Watts	Lumens	Pack
62-927*	3' Non-Linkable Shop Light - White	34	3000	8
62-928**	4' Linkable Shop Light - White	42	4200	8

See warranty for details.

Product sheet NU1515

Specifications

120 VOLT **80 CRI** **4000 K** **DAMP LOCATION**
50,000 HOURS

Certifications

ETL US **ETL US** **ENERGY STAR** **FC**
RoHS COMPLIANT

BLINK PRO® SURFACE MOUNTED LED DOWNLIGHT



Features:

- Reduced Height / Curved Profile / Chamfered Bezel
- Designer Die-Cast Construction
- 5 CCT Selectable
- Enhanced Driver Filtering
- Built-In Surge Protection
- Operating Temperature:
-40°C (-4°F) to +40°C (+104°F)
- Quick install mounting Bracket
- Energy Star®



ColorQuick®
Selectable Color Technology

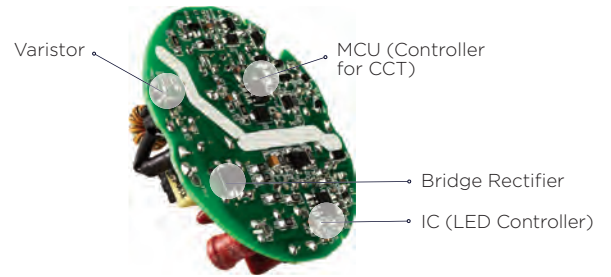
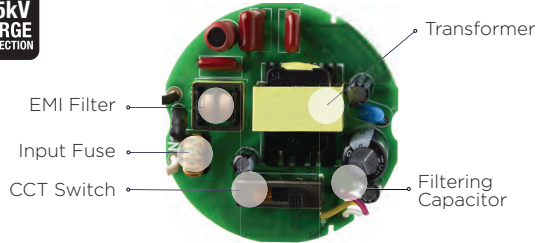
BLINK PRO® SURFACE MOUNTED LED DOWNLIGHT

DRIVER SPECIFICATIONS

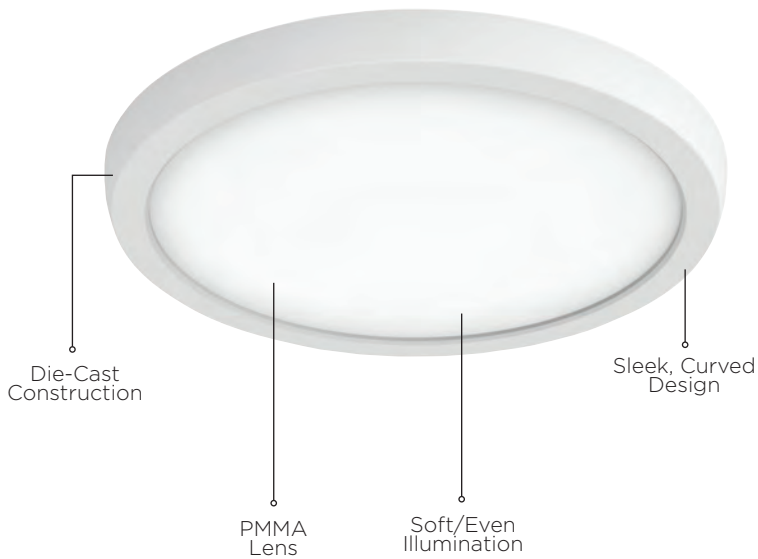
- Robust External Driver Design
- 2.5 kV Surge Protection/Fused
- EMI Filter
- Inline Filter
- Varistor for Smooth Dimming
- CCT Selectable



**2.5kV
SURGE
PROTECTION**



Blink® Pro 5", 7", and 9" Available Finishes:
White | Black | Bronze | Brushed Nickel



BLINK PRO® SURFACE MOUNTED LED DOWNLIGHT 120V VERSION

Item	Size	Shape	Finish	Watts	Lumens	Efficacy (Up to LPW)	Input Current @ 120	Closet Rated
62-1700	5"	Round	White	9W	700-780	86.67	0.075A	✓
62-1701	5"	Round	Black	9W	650-680	75.56	0.075A	✓
62-1702	5"	Round	Bronze	9W	650-680	75.56	0.075A	✓
62-1703	5"	Round	Br. Nickel	9W	650-680	75.56	0.075A	✓
62-1710	7"	Round	White	11W	980-1050	95.45	0.092A	✓
62-1711	7"	Round	Black	11W	900-950	86.36	0.092A	✓
62-1712	7"	Round	Bronze	11W	900-950	86.36	0.092A	✓
62-1713	7"	Round	Br. Nickel	11W	900-950	86.36	0.092A	✓
62-1720	9"	Round	White	13W	1300-1320	101.54	0.108A	*
62-1721	9"	Round	Black	13W	1200-1250	96.15	0.108A	*
62-1722	9"	Round	Bronze	13W	1200-1250	96.15	0.108A	*
62-1723	9"	Round	Br. Nickel	13W	1200-1250	96.15	0.108A	*
62-1704	5"	Square	White	9W	680-730	81.11	0.075A	✓
62-1705	5"	Square	Black	9W	600-680	75.56	0.075A	✓
62-1706	5"	Square	Bronze	9W	600-680	75.56	0.075A	✓
62-1707	5"	Square	Br. Nickel	9W	600-680	75.56	0.075A	✓
62-1714	7"	Square	White	11W	940-1000	90.91	0.092A	✓
62-1715	7"	Square	Black	11W	800-850	77.27	0.092A	✓
62-1716	7"	Square	Bronze	11W	800-850	77.27	0.092A	✓
62-1717	7"	Square	Br. Nickel	11W	800-850	77.27	0.092A	✓
62-1724	9"	Square	White	13W	1200-1300	100.00	0.108A	*
62-1725	9"	Square	Black	13W	1032-1150	88.46	0.108A	*
62-1726	9"	Square	Bronze	13W	1032-1150	88.46	0.108A	*
62-1727	9"	Square	Br. Nickel	13W	1032-1150	88.46	0.108A	*

NON EM 0-10V 120/277V * Not to be used with Blink® Pro 0-10V Emergency Battery Backup Units

Item	Size	Shape	Finish	Watts	Lumens	CCT	Efficacy (LPW)	Input Current @120/277V	Closet Rated
62-1718	7"	Round	White	11W	980	3000K	89.09	0.092/0.040A	*
62-1733	7"	Round	White	11W	980	4000K	78.40	0.104/0.045A	*
62-1728	9"	Round	White	13W	1300	3000K	92.31	0.108/0.047A	*
62-1743	9"	Round	White	13W	1300	4000K	76.47	0.142/0.061A	*
62-1719	7"	Square	White	11W	940	3000K	92.31	0.092/0.040A	*
62-1734	7"	Square	White	11W	940	4000K	75.20	0.104/0.045A	*
62-1729	9"	Square	White	13W	1200	3000K	92.31	0.108/0.047A	*
62-1744	9"	Square	White	13W	1200	4000K	70.59	0.142/0.061A	*

* Consult NEC Code for Dimensional Parameters for installation in clothes closets.

EM 0-10V 120/277V * Compatible with Blink® Pro 0-10V Emergency Battery Backup Units

Item	Size	Shape	Finish	Watts	Lumens	CCT	Efficacy (LPW)	Input Current @ 120 / 277V	Closet Rated
62-1746*	7"	Round	White	11W	980lm	3000K	89.09	0.092/0.040A	*
62-1747*	7"	Square	White	11W	940lm	3000K	92.31	0.092/0.040A	*
62-1756*	9"	Round	White	13W	1300lm	3000K	92.31	0.108/0.047A	*
62-1757*	9"	Square	White	13W	1200lm	3000K	92.31	0.108/0.047A	*
62-1748*	7"	Round	White	12.5W	980lm	4000K	78.40	0.104/0.045A	*
62-1749*	7"	Square	White	12.5W	940lm	4000K	75.20	0.104/0.045A	*
62-1758*	9"	Round	White	17W	1300lm	4000K	76.47	0.142/0.061A	*
62-1759*	9"	Square	White	17W	1200lm	4000K	70.59	0.142/0.061A	*

* Consult NEC Code for Dimensional Parameters for installation in clothes closets.

PERMITTED ZERO CLEARANCE FROM STORAGE MATERIAL

See page 191 for Emergency Battery Backup Units

Complies with NEC 410.16(A)(3) & NEC 410.16(C)(5) Certified under UL 1598, suitable for clothes closet installation.

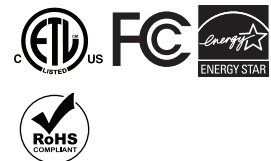
✓ = 5" & 7" Comply for Zero Clearance Applications

9" Consult NEC Code for Dimensional Parameters for installation in clothes closets.

Specifications



Certifications



Specifications



Certifications



Specifications



Certifications



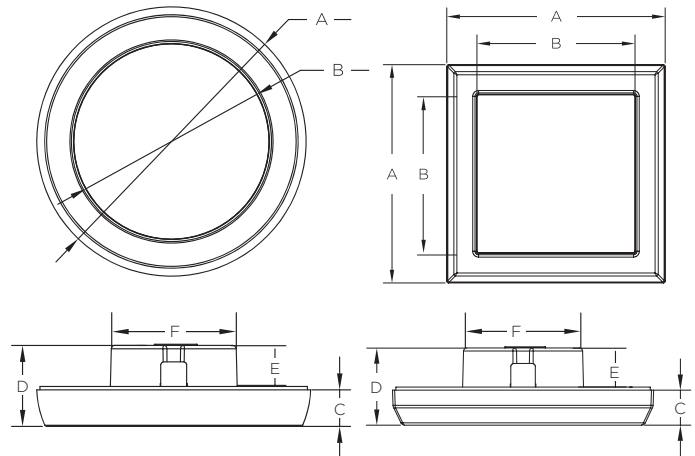
BLINK PRO® SURFACE MOUNTED LED DOWNLIGHT 120V VERSION

DIMENSIONS - 120V MODELS

(A) Diameter/Length	(B) Inside Diameter/Length	(C) Trim Height	(D) Overall Height	(E) Driver Height	(F) Driver Diameter
5" Round	3.62"	0.67"	1.59"	.92"	2.36"
7" Round	5.62"	0.67"	1.59"	.92"	2.36"
9" Round	7.62"	0.67"	1.59"	.92"	2.36"
5" Square	3.62"	0.67"	1.59"	.92"	2.36"
7" Square	5.62"	0.67"	1.59"	.92"	2.36"
9" Square	7.62"	0.67"	1.59"	.92"	2.36"

DIMENSIONS - 120/277V MODELS

(A) Diameter/Length	(B) Inside Diameter/Length	(C) Trim Height	(D) Overall Height	(E) Driver Height	(F) Driver Diameter
7" Round	5.62"	0.67"	1.50"	.83"	2.36"
9" Round	7.62"	0.67"	1.50"	.83"	2.36"
7" Square	5.62"	0.67"	1.50"	.83"	2.36"
9" Square	7.62"	0.67"	1.50"	.83"	2.36"



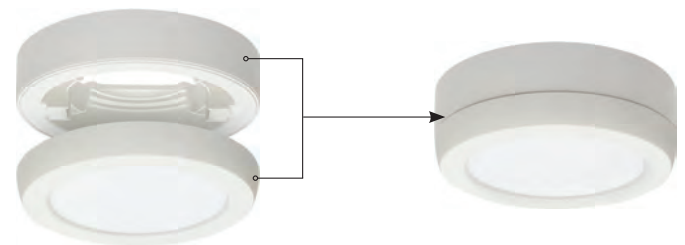
Extension Collar for Tight Installations

TRIMS ACCESSORIES

Item	Size	Finish	Shape	Pack
25-1700	5"	White	Round	1
25-1701	5"	Black	Round	1
25-1702	5"	Bronze	Round	1
25-1710	7"	White	Round	1
25-1711	7"	Black	Round	1
25-1712	7"	Bronze	Round	1
25-1713	7"	Brushed Nickel	Round	1
25-1720	9"	White	Round	1
25-1721	9"	Black	Round	1
25-1722	9"	Bronze	Round	1
25-1723	9"	Brushed Nickel	Round	1
25-1704	5"	White	Square	1
25-1705	5"	Black	Square	1
25-1706	5"	Bronze	Square	1
25-1714	7"	White	Square	1
25-1715	7"	Black	Square	1
25-1716	7"	Bronze	Square	1
25-1717	7"	Brushed Nickel	Square	1
25-1724	9"	White	Square	1
25-1725	9"	Black	Square	1
25-1726	9"	Bronze	Square	1
25-1727	9"	Brushed Nickel	Square	1



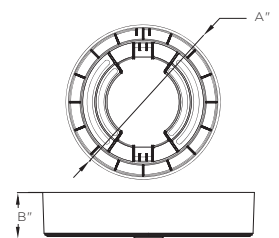
Mix and Match Trims for an Artistic Look
Extension Collars come in White, Black and Bronze Finishes.



Driver Fits Most 3" & 4" J Box Installations with a Minimum Interior Cubic Volume of 14" – for tighter installations use extension collar accessories

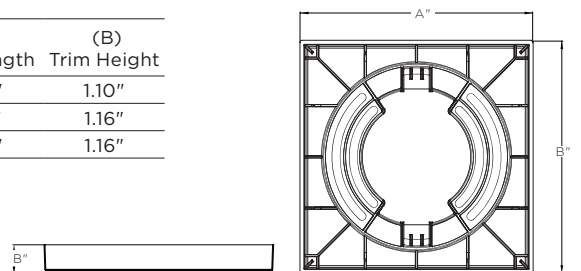
DIMENSIONS - ROUND COLLAR

(A) Diameter	(B) Trim Height
5.07"	1.10"
7.07"	1.16"
9.07"	1.16"



DIMENSIONS - SQUARE COLLAR

(A) Trim Length	(B) Trim Height
5.07"	1.10"
7.07"	1.16"
9.07"	1.16"



BLINK® PRO+ SURFACE MOUNTED LED FIXTURES



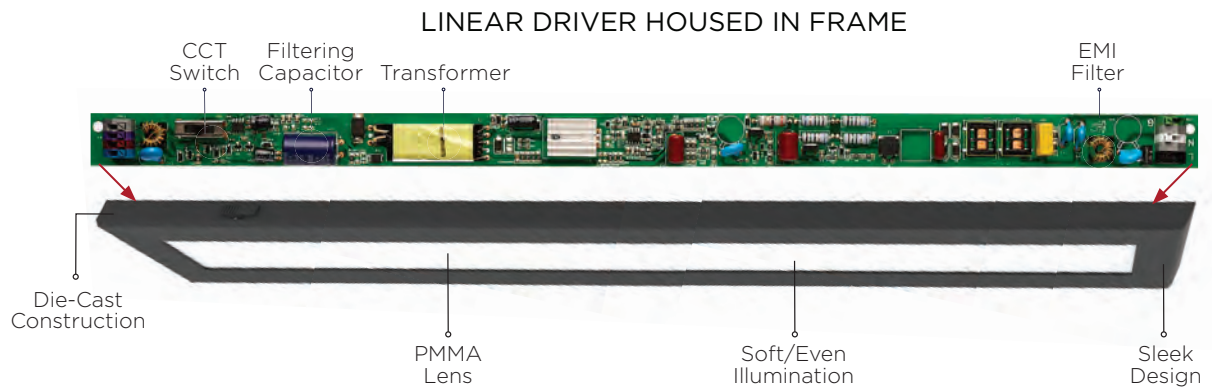
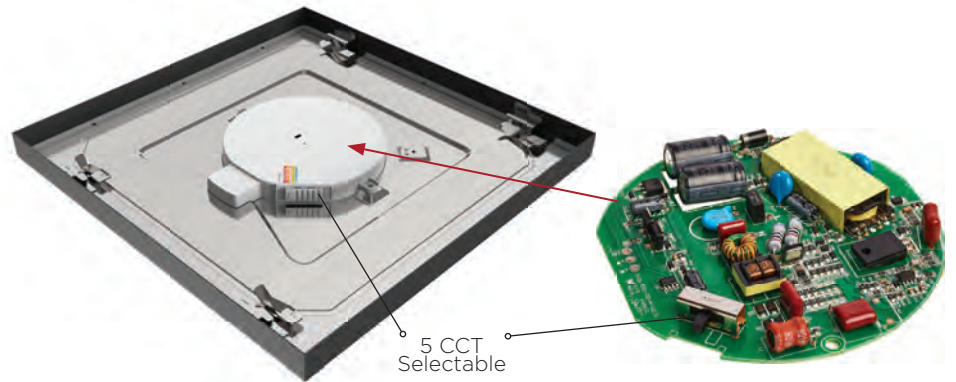
Features:

- Chamfered Bezel
- Designer Die-Cast Construction
- 5 CCT selectable
- Enhanced Driver Filtering
- Built-In Surge Protection
- Quick install mounting Bracket
- Energy Star®



BLINK® PRO+ SURFACE MOUNTED LED FIXTURES

LOW PROFILE
EXTERNAL DRIVER



DRIVER SPECIFICATIONS

- Robust Driver Design
- 2.5 kV Surge Protection/Fused
- EMI Filter
- Inline Filter
- Varistor for Smooth Triac dimming
- CCT Selectable

BLINK® PRO+ SURFACE MOUNTED LED FIXTURES

MOUNTING BRACKETS FOR SIMPLE INSTALLATION



Blink® Pro + Available Finishes:
White | Black | Brushed Nickel*



* 12" Models only

Item	Size	Shape	Finish	Watts	Lumens	Efficacy (Up to LPW)	Input Current @ 120/277V
Round							
62-1776	D:12"	Round	White	19.5W	1450L-1520L	77.95	0.163/0.070A
62-1777	D:15"	Round	White	29W	2200L-2320L	80.00	0.242/0.105A
62-1778	D:19"	Round	White	34W	2600L-2740L	80.59	0.283/0.123A
62-1786	D:12"	Round	Black	19.5W	1350L-1420L	72.82	0.163/0.070A
62-1787	D:15"	Round	Black	29.5W	2100L-2220L	75.25	0.246/0.106A
62-1788	D:19"	Round	Black	34W	2500L-2640L	77.65	0.283/0.123A
62-1796	D:12"	Round	Brushed Nickel	19.5W	1350L-1470L	75.40	0.163/0.070A
Square							
62-1779	L:12" W:12"	Square	White	19.5W	1400L-1470L	75.38	0.163/0.070A
62-1789	L:12" W:12"	Square	Black	19.5W	1300L-1370L	70.26	0.163/0.070A
62-1799	L:12" W:12"	Square	Brushed Nickel	19.5W	1300L-1410L	72.30	0.163/0.070A
62-1774	L:24" W:24"	Square	White	47W	3600L-4050L	86.17	0.392/0.170A
62-1784	L:24" W:24"	Square	Black	47W	3550L-3900L	82.98	0.392/0.170A
Linear							
62-1770	L:24" W:5.5"	Rectangular	White	24W	1650L-1870L	77.92	0.2/0.087A
62-1771	L:36" W:5.5"	Rectangular	White	32W	2150L-2400L	75.00	0.267/0.116A
62-1772	L:48" W:5.5"	Rectangular	White	42W	2850L-3100L	73.81	0.35/0.152
62-1780	L:24" W:5.5"	Rectangular	Black	24W	1600L-1750L	72.92	0.2/0.087A
62-1781	L:36" W:5.5"	Rectangular	Black	32W	2100L-2300L	71.88	0.267/0.115A
62-1782	L:48" W:5.5"	Rectangular	Black	42W	2800L-2950L	70.24	0.350/0.152A
62-1773	L:12" W:24"	Rectangular	White	24W	1650L-1900L	79.17	0.2/0.087A
62-1775	L:12" W:48"	Rectangular	White	47W	3500L-4050L	86.17	0.392/0.170A
62-1783	L:12" W:24"	Rectangular	Black	24W	1650L-1850L	77.08	0.2/0.087A
62-1785	L:12" W:48"	Rectangular	Black	47W	3450L-3800L	80.85	0.392/0.170A

Specifications



Certifications



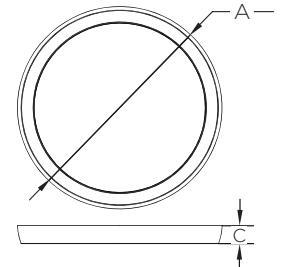
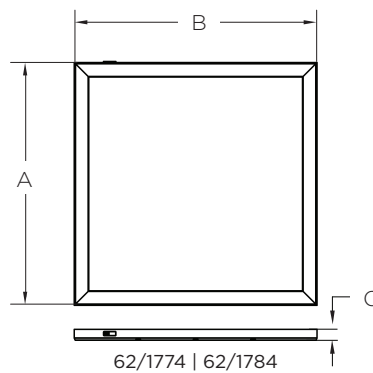
This device complies with Part 15 of the FCC Rules. Operation is subject to the following two conditions: (1) this device may not cause harmful interference, and (2) this device must accept any interference received, including interference that may cause undesired operation. Fixture may not be compatible with all dimmers.

Specifications are subject to change without prior notice.

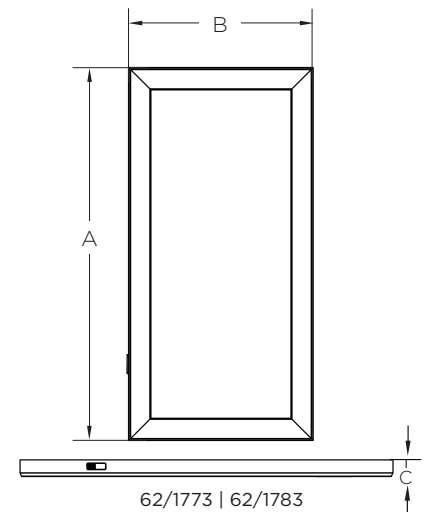
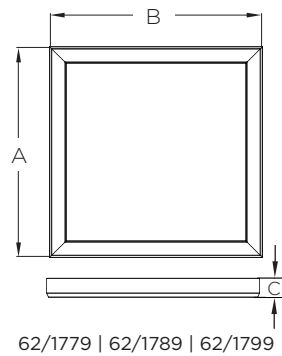
BLINK® PRO+ SURFACE MOUNTED LED FIXTURES

DIMENSIONS

Item	(A) Diameter/Length	(B) Width	(C) Height
62-1779	12"	12"	1.06"
62-1789	12"	12"	1.06"
62-1799	12"	12"	1.06"
62-1776	12"	--	1.06"
62-1777	15"	--	1.06"
62-1778	19"	--	1.06"
62-1786	12"	--	1.06"
62-1787	15"	--	1.06"
62-1788	19"	--	1.06"
62-1796	12"	--	1.06"
62-1773	23.70"	11.83"	1.06"
62-1783	23.70"	11.83"	1.06"
62-1774	23.70"	23.70"	1.10"
62-1784	23.70"	23.70"	1.10"

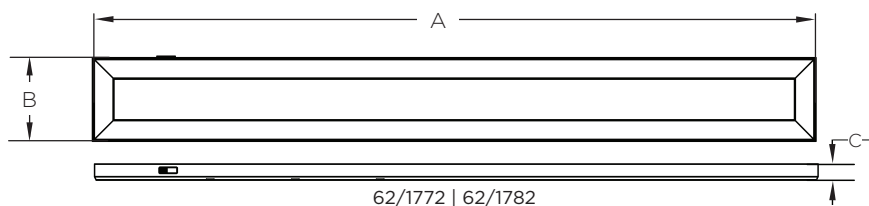
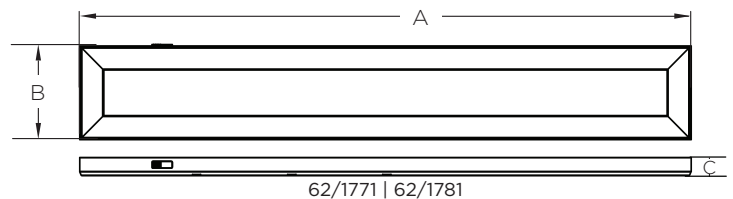
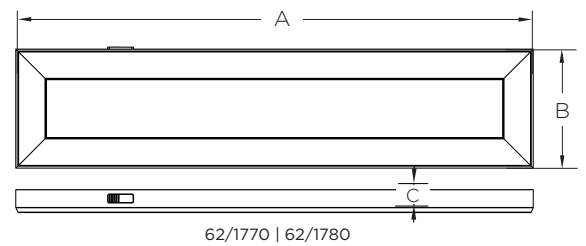


62/1776 | 62/1777 | 62/1778
62/1786 | 62/1787 | 62/1788 | 62/1796



DIMENSIONS

Item	(A) Diameter/Length	(B) Width	(C) Height
62-1770	23.98"	5.61"	1.06"
62-1780	23.98"	5.61"	1.06"
62-1771	35.98"	5.61"	1.06"
62-1781	35.98"	5.61"	1.06"
62-1772	47.72"	5.61"	1.06"
62-1782	47.72"	5.61"	1.06"
62-1775	47.72"	11.83"	1.06"
62-1785	47.72"	11.83"	1.06"



BLINK® PERFORMER ROUND | SQUARE



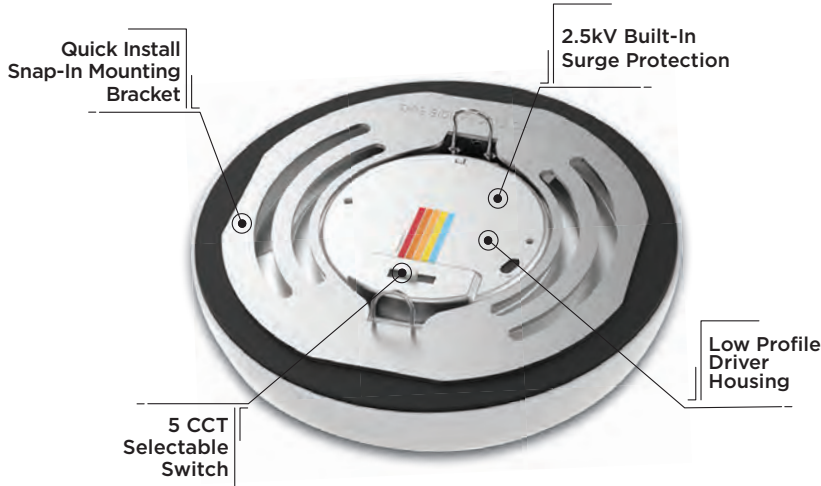
Features:

- Designer Die-Cast Construction
- Quick Install Mounting Bracket
- Built-In Surge Protection
- 5 CCT Selectable
- 2700/3000/3500/4000/5000K
- Zero Entry - Fits into any 3"-4" Jbox
- 50,000 Life Hours



ColorQuick®
Selectable Color Technology

BLINK® PERFORMER ROUND | SQUARE



- WARM WHITE - 2700K
- SOFT WHITE - 3000K
- NEUTRAL WHITE - 3500K
- COOL WHITE - 4000K
- NATURAL LIGHT - 5000K

Blink® Performer Finishes:
White | Black | Bronze | Brushed Nickel



5", 7" and 9" in Round and Square Models

Item	Size	Shape	Finish	Watts	Lumens	Efficacy (Up to LPW)	Input Current @ 120/277V
Round							
62-1900	5"	Round	White	8W	700L-730L	91.25	0.067A
62-1901	5"	Round	Black	8W	650L-680L	85.00	0.067A
62-1902	5"	Round	Bronze	8W	650L-680L	85.00	0.067A
62-1903	5"	Round	Br. Nickel	8W	650L-680L	85.00	0.067A
62-1910	7"	Round	White	10W	900L-980L	98.00	0.083A
62-1911	7"	Round	Black	10W	850L-930L	93.00	0.083A
62-1912	7"	Round	Bronze	10W	850L-930L	93.00	0.083A
62-1913	7"	Round	Br. Nickel	10W	850L-930L	93.00	0.083A
62-1920	9"	Round	White	11W	1050L-1150L	104.55	0.092A
62-1921	9"	Round	Black	11W	1000L-1050L	95.45	0.092A
62-1922	9"	Round	Bronze	11W	850-930lm	95.45	0.092A
62-1923	9"	Round	Br. Nickel	11W	850-930lm	95.45	0.092A
Square							
62-1904	5"	Square	White	8W	680L-730L	91.25	0.067A
62-1905	5"	Square	Black	8W	600L-650L	81.25	0.067A
62-1906	5"	Square	Bronze	8W	600L-650L	81.25	0.067A
62-1907	5"	Square	Br. Nickel	8W	600L-650L	81.25	0.067A
62-1914	7"	Square	White	10W	900L-980L	98.00	0.083A
62-1915	7"	Square	Black	10W	850L-900L	90.00	0.083A
62-1916	7"	Square	Bronze	10W	850L-900L	90.00	0.083A
62-1917	7"	Square	Br. Nickel	10W	850L-900L	90.00	0.083A
62-1924	9"	Square	White	11W	1050L-1100L	100.00	0.092A
62-1925	9"	Square	Black	11W	1050L-1100L	95.45	0.092A
62-1926	9"	Square	Bronze	11W	1050L-1100L	95.45	0.092A
62-1927	9"	Square	Br. Nickel	11W	1050L-1100L	95.45	0.092A

Specifications



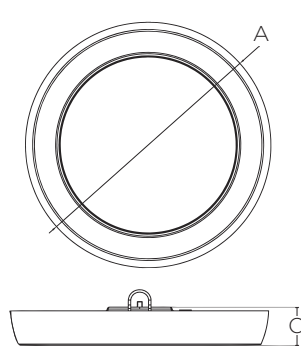
Certifications



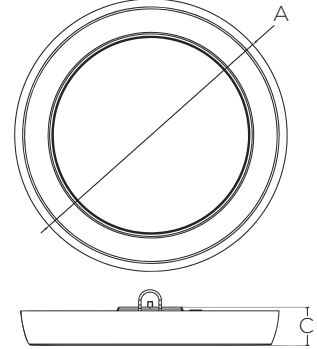
BLINK® PERFORMER ROUND | SQUARE

DIMENSIONS

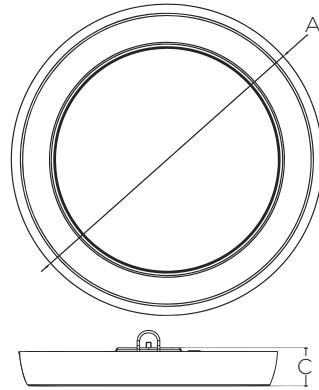
Item	(A) Diameter	(B) Width	(C) Height
Round			
62-1900	5"	—	.74
62-1901	5"	—	.74
62-1902	5"	—	.74
62-1903	5"	—	.74
62-1910	7"	—	.74
62-1911	7"	—	.74
62-1912	7"	—	.74
62-1913	7"	—	.74
62-1920	9"	—	.74
62-1921	9"	—	.74
62-1922	9"	—	.74
62-1923	9"	—	.74
Square			
62-1904	5"	5"	.74
62-1905	5"	5"	.74
62-1906	5"	5"	.74
62-1907	5"	5"	.74
62-1914	7"	7"	.74
62-1915	7"	7"	.74
62-1916	7"	7"	.74
62-1917	7"	7"	.74
62-1924	9"	9"	.74
62-1925	9"	9"	.74
62-1926	9"	9"	.74
62-1927	9"	9"	.74



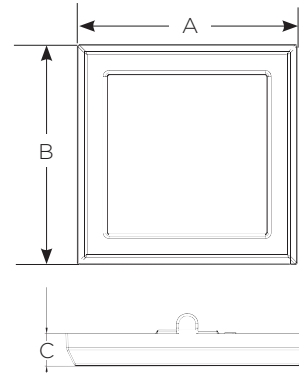
62-1900 | 62-1901 | 62-1902 | 62-1903



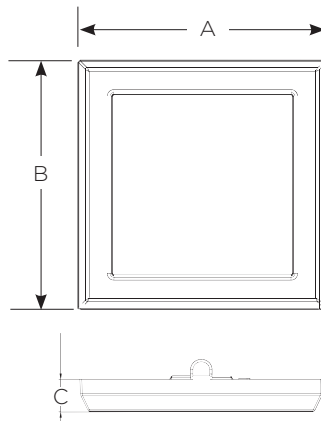
62-1910 | 62-1911 | 62-1912 | 62-1913



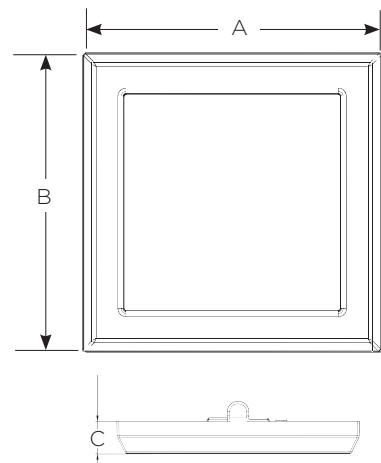
62-1920 | 62-1921 | 62-1922 | 62-1923



62-1904 | 62-1905 | 62-1906 | 62-1907



62-1914 | 62-1915 | 62-1916 | 62-1917



62-1924 | 62-1925 | 62-1926 | 62-1927

BLINK PRO® EMERGENCY BATTERY BACKUP UNIT

EMERGENCY BATTERY BACKUP 120V, TRIAC DIMMING

Item	Size	Shape	Finish	Replacement Battery
62-1710/EM	7"	Round	White	25/9004
62-1711/EM	7"	Round	Black	25/9004
62-1712/EM	7"	Round	Bronze	25/9004
62-1713/EM	7"	Round	Br. Nickel	25/9004
62-1720/EM	9"	Round	White	25/9005
62-1721/EM	9"	Round	Black	25/9005
62-1722/EM	9"	Round	Bronze	25/9005
62-1723/EM	9"	Round	Br. Nickel	25/9005
62-1714/EM	7"	Square	White	25/9004
62-1715/EM	7"	Square	Black	25/9004
62-1716/EM	7"	Square	Bronze	25/9004
62-1717/EM	7"	Square	Br. Nickel	25/9004
62-1724/EM	9"	Square	White	25/9005
62-1725/EM	9"	Square	Black	25/9005
62-1726/EM	9"	Square	Bronze	25/9005
62-1727/EM	9"	Square	Br. Nickel	25/9005

* Compatible for use with 120V BLINK® Pro Models.

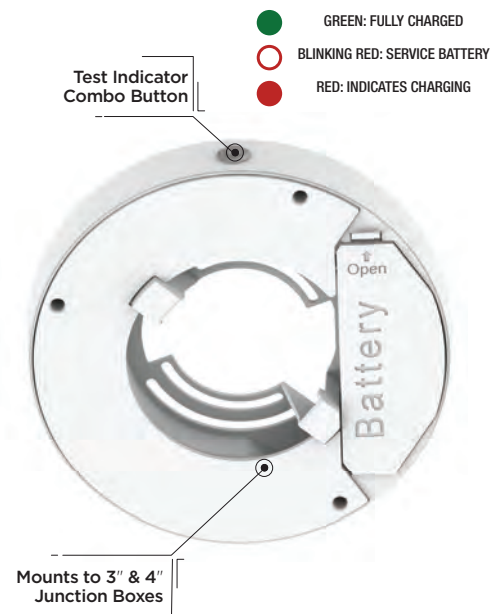
120V/277V, 0-10V DIMMING

Item	Size	Shape	Finish	Replacement Battery
62-1746/EM	7"	Round	White	25/9004
62-1747/EM	7"	Square	White	25/9004
62-1756/EM	9"	Round	White	25/9005
62-1757/EM	9"	Square	White	25/9005

* Compatible for use with 120V/277V BLINK® Pro Models.

DRIVER SPECIFICATIONS

- Alert Function
- Test Indicator Combo Button
- 90 Min. Battery Runtime
- Die-Cast Construction



*BLINK® PRO FIXTURE SOLD SEPARATELY.
*SHOWN WITH 62/1710

LED DISK LIGHTS CCT SELECTABLE



Features:

27000K/3000K/3500K/4000K/5000K
Selectable

7" & 10" White versions available in
Contractor 6-packs

Mounts to 3" and 4" Junction Boxes

Dimmable†

Occupancy Sensor (in white finish only)

Available in White, Black, Bronze or
Brushed Nickel

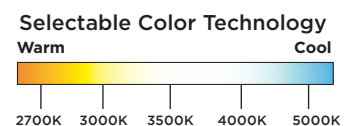
Wet Location

Closet Compliant with NEC 410.16 (A)
(3) and NEC 410.16 (C) (5)*

ENERGY STAR



ColorQuick

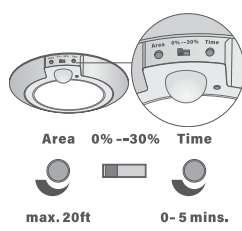


LED DISK LIGHTS CCT SELECTABLE



Occupancy Sensor Operation

There are 3 sensor settings on the side. Use a flat screwdriver to adjust.



① **Area Sensor** activation area can be set for a diameter of 0ft to a maximum of 20 ft



② **0% - 30%** The fixture can be set at default brightness of 0 (not lit in OFF condition) or 30% (maintain 30% of full output in OFF condition)



③ **Time** Time options from 0 to 5 minutes for ON time after activation

Item	Description	Watts	CCT	Lumens	Pack
62-1800	7" LED White/Contractor 6 Pk	15	2700K/3000K/3500K/4000K/5000K	930-1000	4
62-1801	7" LED White	15	2700K/3000K/3500K/4000K/5000K	930-1000	12
62-1802	7" LED Brushed Nickel	15	2700K/3000K/3500K/4000K/5000K	860-980	12
62-1803	7" LED Bronze	15	2700K/3000K/3500K/4000K/5000K	780-910	12
62-1804	7" LED Black	15	2700K/3000K/3500K/4000K/5000K	770-900	12
62-1810	10" LED White/Contractor 6 Pk	17	2700K/3000K/3500K/4000K/5000K	1100-1200	4
62-1811	10" LED White	17	2700K/3000K/3500K/4000K/5000K	1100-1200	12
62-1812	10" LED Brushed Nickel	17	2700K/3000K/3500K/4000K/5000K	1000-1150	12
62-1813	10" LED Bronze	17	2700K/3000K/3500K/4000K/5000K	970-1080	12
62-1814	10" LED Black	17	2700K/3000K/3500K/4000K/5000K	950-1050	12
62-1820**	7" LED White W/OCC	16	2700K/3000K/3500K/4000K/5000K	900-1000	12
62-1821**	10" LED White W/OCC	19	2700K/3000K/3500K/4000K/5000K	1060-1150	12
Closet Compliant					
62-1805*	7" LED White	8	2700K/3000K/3500K/4000K/5000K	490-640	12
62-1815*	10" LED White	9.5	2700K/3000K/3500K/4000K/5000K	560-700	12

**Not Dimmable

Product sheet NU1812

Specifications



Certifications



LED CLOUD FIXTURE CCT SELECTABLE



Features:

- CCT Selectable - 3000K/4000K/5000K
- Versions with and without occupancy sensors
- Complies with NEC 410.16 (A)(3) & NEC 410.16(C)(5)
- Durable white cover (PMMA)
- 5 Year warranty



ColorQuick™

Selectable Color Technology

Switch to/from the following CCT



3000K

4000K

5000K

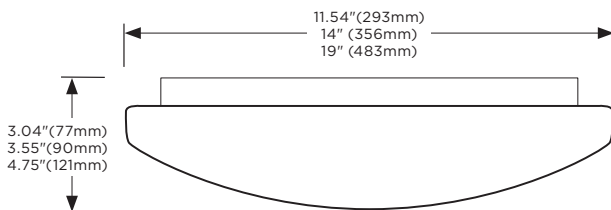
LED CLOUD FIXTURE CCT SELECTABLE



19" Round



11" Round



MOTION SENSOR SETTINGS

Sensor versions minimize room size 50 sq. ft.

Switch UP	1	2	
I	●	●	100%
II	●	○	75%
III	○	●	50%
IV	○	○	25%

DETECTION AREA

In this area, movement will be detected and able to trigger the sensor. 100% detection area is also known as the strong sensitivity.

Switch UP	3	4	5	
I	●	●	●	T3s
II	●	●	○	30s
III	●	○	○	90s
IV	○	●	○	5min
V	○	○	●	10min
VI	○	○	○	30min

HOLD-TIME

The period of light keeping 100% brightness after moving objects leave the detection area.

Switch UP	6	7	8	
I	●	●	●	Disable
II	●	○	○	50Lux
III	○	●	○	25Lux
IV	○	○	●	10Lux
V	○	○	○	2Lux

DAYLIGHT THRESHOLD

Definition of the ambient brightness; only when the ambient brightness is lower than the preset specific lux amount, the sensor will work; when it's preset as "disable," the sensor works every time it detects motion regardless the ambient brightness.

Item	Description	Watts	CCT	Lumens	Pack
62-1210*	11" Flush Mount	16	3000K/4000K/5000K	1067-113	6
62-1211	11" Flush Mount w/OCC. Sensor	16.5	3000K/4000K/5000K	1067-1132	6
62-1212*	14" Flush Mount	20	3000K/4000K/5000K	1307-1414	4
62-1213	14" Flush Mount w/OCC. Sensor	20.5	3000K/4000K/5000K	1307-1414	4
62-1218*	19" Flush Mount	32	3000K/4000K/5000K	2617-2868	2
62-1219	19" Flush Mount w/OCC. Sensor	32.5	3000K/4000K/5000K	2617-2868	2

*Non-sensor versions. Consult Satco or visit www.satco.com for an up-to-date dimmer compatibility list. Product sheet NU576 See warranty for details.

Specifications



Certifications



LED CLOUD FIXTURE 120-277V, 0-10V DIMMING



Features:

- | Durable white cover (PMMA)
- | 5 Year warranty



ColorQuick™

Selectable Color Technology

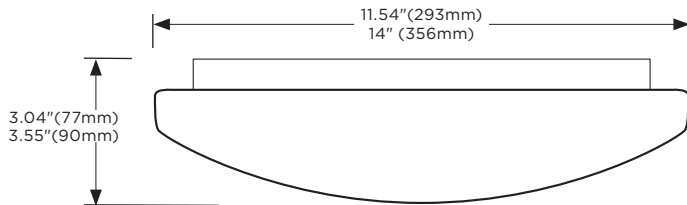
Switch to/from the following CCT



LED CLOUD FIXTURE 120/277V, 0-10V DIMMING



11" Round



Item	Description	Watts	CCT	Lumens	Pack
62-1225	11" Flush Mount	16	3000K/4000K/5000K	1100-1200	6
62-1226	14" Flush Mount	20	3000K/4000K/5000K	1450-1550	4

*Consult Satco or visit www.satco.com for an up-to-date dimmer compatibility list. See warranty for details.

Product sheet NU1576

Specifications



Certifications



LED CLOUD FIXTURE WITH OR WITHOUT OCCUPANCY SENSOR



Features:

- Color Selectable
3000K/4000K/5000K
- Durable white cover (PMMA)
- Versions with and without
occupancy sensors
- Damp location
- ENERGY STAR®
- Complies with NEC 410.16 (A)(3)
and NEC 410.16 (C)(5)



ColorQuick™

Selectable Color Technology

Switch to/from the following CCT



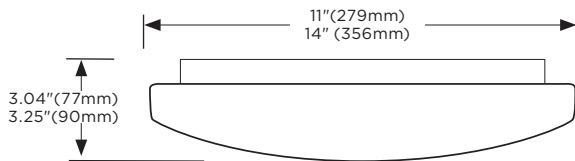
LED CLOUD FIXTURE WITH OR WITHOUT OCCUPANCY SENSOR



11" Square



14" Square



MOTION SENSOR SETTINGS

Sensor versions minimize room size 50 sq. ft.

Switch UP	1	2	
I	●	●	100%
II	●	○	75%
III	○	●	50%
IV	○	○	25%

DETECTION AREA

In this area, movement will be detected and able to trigger the sensor. 100% detection area is also known as the strong sensitivity.

Switch UP	3	4	5	
I	●	●	●	T3s
II	●	●	○	30s
III	●	○	○	90s
IV	○	●	○	5min
V	○	○	●	10min
VI	○	○	○	30min

HOLD-TIME

The period of light keeping 100% brightness after moving objects leave the detection area.

Switch UP	6	7	8	
I	●	●	●	Disable
II	●	○	○	50Lux
III	○	●	○	25Lux
IV	○	○	●	10Lux
V	○	○	○	2Lux

DAYLIGHT THRESHOLD

Definition of the ambient brightness; only when the ambient brightness is lower than the preset specific lux amount, the sensor will work; when it's preset as "disable," the sensor works every time it detects motion regardless the ambient brightness.

Item	Description	Watts	Volts	CCT	Lumens	Pack
62-1214*	11" Square Acrylic Led Flush	16	120	3000K/4000K/5000K	990-1100	6
62-1215	11" Square Acrylic Led Flush W/Sensor	16.5	120	3000K/4000K/5000K	990-1100	6
62-1216*	14" Square Acrylic Led Flush	20	120	3000K/4000K/5000K	1230-1330	4
62-1217	14" Square Acrylic Led Flush W/Sensor	20.5	120	3000K/4000K/5000K	1230-1330	4

*Non-sensor versions. Consult Satco or visit www.satco.com for an up-to-date dimmer compatibility list. See warranty for details.

Product sheet NU1461

Specifications



Certifications



GLAMOUR SURFACE MOUNT CCT SELECTABLE



Features:

- CCT Selectable - 3000K/4000K/5000K
- Durable white cover (PMMA)
- Available in Brushed Nickel or Black
- 5 Year warranty



ColorQuick

Selectable Color Technology

Switch to/from the following CCT



GLAMOUR SURFACE MOUNT CCT SELECTABLE



13" Brushed Nickel



17" Brushed Nickel



10" Black

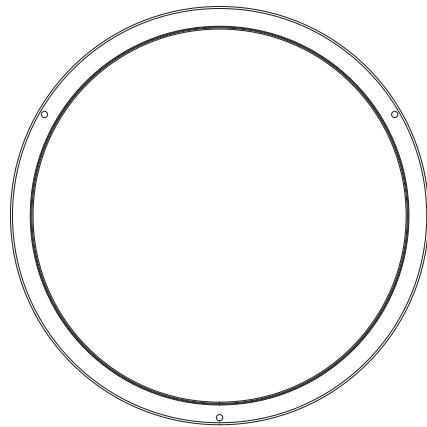


24" Black

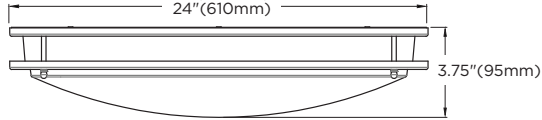


32" Black (Oval)

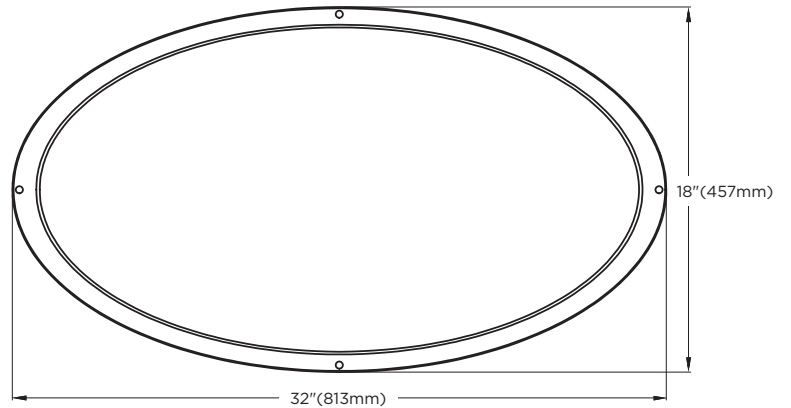
Round



10"(254mm)
13"(330mm)
17"(432mm)
24"(610mm)



Oval



Item	Description	CCT	Watts	Lumens	Pack
62-1635	10" Round - Brushed Nickel	3000K/4000K/5000K	18	1440-1530	6
62-1636	13" Round - Brushed Nickel	3000K/4000K/5000K	25	2000-2125	6
62-1637	17" Round - Brushed Nickel	3000K/4000K/5000K	25	2000-2125	4
62-1638	24" Round - Brushed Nickel	3000K/4000K/5000K	39	3000-3150	2
62-1641	32" Oval - Brushed Nickel	3000K/4000K/5000K	52	4160-4420	1
62-1735	10" Round - Black	3000K/4000K/5000K	18	1440-1530	6
62-1736	13" Round - Black	3000K/4000K/5000K	25	2000-2125	6
62-1737	17" Round - Black	3000K/4000K/5000K	25	2000-2125	4
62-1738	24" Round - Black	3000K/4000K/5000K	39	3000-3150	2
62-1741	32" Oval - Black	3000K/4000K/5000K	52	4160-4420	1

Specifications



Certifications



*Consult Satco or visit www.satco.com for an up-to-date dimmer compatibility list. See warranty for details.

Product sheet NUI558

GLAMOUR LINEAR CCT SELECTABLE



Features:

- CCT Selectable - 3000K/4000K/5000K
- Durable white cover (PMMA)
- Available in Brushed Nickel or Black
- 5 Year warranty



ColorQuick™

Selectable Color Technology

Switch to/from the following CCT



GLAMOUR LINEAR CCT SELECTABLE



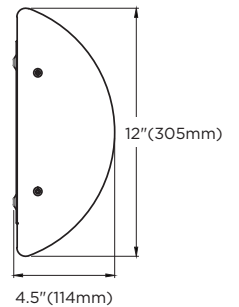
25" Black



25" Brushed Nickel



50" Brushed Nickel

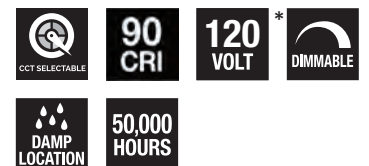


Item	Description	CCT	Watts	Lumens	Pack
62-1639	25" Linear - Brushed Nickel	3000K/4000K/5000K	26	2000-2100	3
62-1640	50" Linear - Brushed Nickel	3000K/4000K/5000K	52	4160-4420	1
62-1739	25" Linear - Black	3000K/4000K/5000K	26	2000-2100	3
62-1740	50" Linear - Black	3000K/4000K/5000K	52	4160-4420	1

*Consult Satco or visit www.satco.com for an up-to-date dimmer compatibility list. See warranty for details.

Product sheet NU1372

Specifications



Certifications



GLAMOUR & CRISPO WALL CCT SELECTABLE



Features:

- CCT Selectable - 3000K/4000K/5000K
- Durable white cover (PMMA)
- Glamour available in Brushed Nickel, or Black
- Crispo available in White
- 5 Year warranty



ColorQuick™

Selectable Color Technology

Switch to/from the following CCT



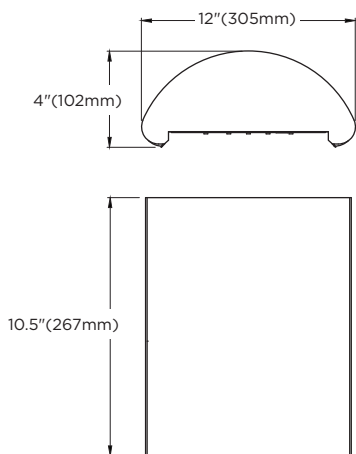
GLAMOUR & CRISPO WALL CCT SELECTABLE



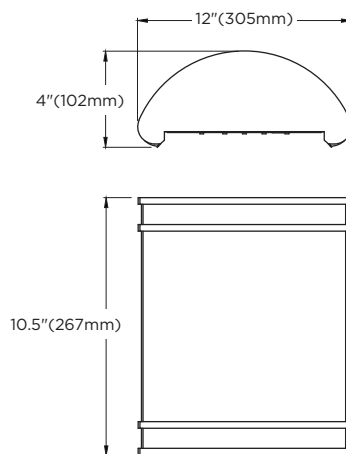
Crispo in White



Glamour in
Brushed Nickel



Crispo



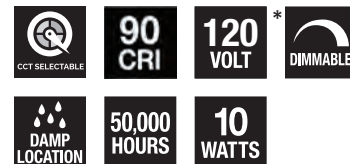
Glamour

Item	Description	CCT Selectable	Lumens	Pack
62-1645	Glamour Wall Sconce - Brushed Nickel	3000K/4000K/5000K	800-850	6
62-1745	Glamour Wall Sconce - Black	3000K/4000K/5000K	800-850	6
62-1646	Crispo Wall Sconce - White	3000K/4000K/5000K	800-850	6

*Consult Satco or visit www.satco.com for an up-to-date dimmer compatibility list. See warranty for details.

Product sheet NUI369

Specifications



Certifications



GLAMOUR & CRISPO VANITY CCT SELECTABLE



Features:

- CCT Selectable - 3000K/4000K/5000K
- Durable white cover (PMMA)
- ADA compliant
- Glamour available in Brushed Nickel, or Black
- Crispo available in White
- 5 Year warranty



ColorQuick™

Selectable Color Technology

Switch to/from the following CCT



GLAMOUR & CRISPO VANITY CCT SELECTABLE



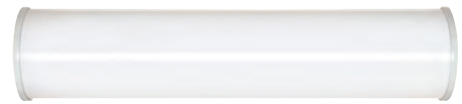
Glamour 49" Black



Glamour 25" Black



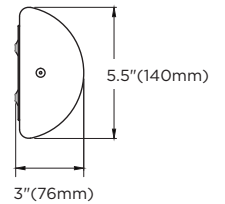
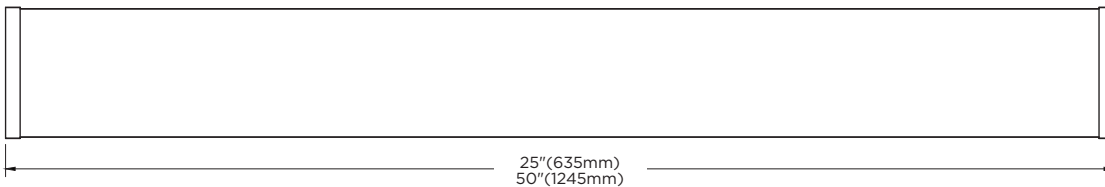
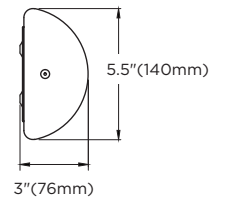
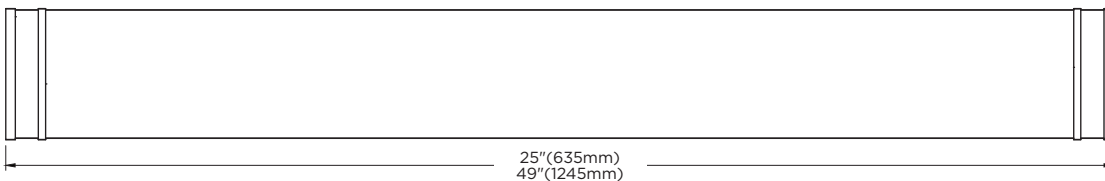
Glamour 49" Brushed Nickel



Crispo 25"



Crispo 49"



Item	Description	W	CCT	Lm	Pack
62-1631	25" Glamour Vanity - Brushed Nickel	26	3000K/4000K/5000K	2000-2100	6
62-1632	49" Glamour Vanity - Brushed Nickel	52	3000K/4000K/5000K	4160-4420	4
62-1731	25" Glamour Vanity - Black	26	3000K/4000K/5000K	2000-2100	6
62-1732	49" Glamour Vanity - Black	52	3000K/4000K/5000K	4160-4420	4
62-1633	25" Crispo Vanity - White	26	3000K/4000K/5000K	2000-2100	6
62-1634	49" Crispo Vanity - White	52	3000K/4000K/5000K	4160-4420	4

*Consult Satco or visit www.satco.com for an up-to-date dimmer compatibility list. See warranty for details.

Product sheet NU1367

Specifications



Certifications



MELROSE PENDANTS



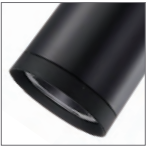
Features:

- Four finishes to choose from
- 12W
- 3000K
- 1020 Lumen Output
- Dimmable

MELROSE PENDANTS

FINISH

Matte Black



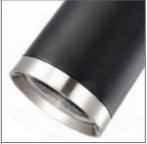
Matte White



Matte Black/
Brushed Brass



Matte Black/
Brushed Nickel



TP231
Track Adapter
(Sold Separately)



62-826

62-827

62-828

62-829

16.14" Ht
(409.96mm)

2.4" D
(60.96mm)

Item#	Description	Finish	Watts	CCT	Lumens
62-826	Melrose LED - 36° Beam Angle	Matte Black	12W	3000K	1020L
62-827	Melrose LED - 36° Beam Angle	Matte White	12W	3000K	1020L
62-828	Melrose LED - 36° Beam Angle	Matte Black/Brushed Brass	12W	3000K	1020L
62-829	Melrose LED - 36° Beam Angle	Matte Black/Brushed Nickel	12W	3000K	1020L

Optional Mounting-Pendant Track Adapters: TP231 (White), TP232 (Black) Wire Length - 8'

Product sheet SN1245

Specifications



Certifications



CENTURY PENDANTS



Features:

- Four finishes to choose from
- 12W
- 3000K
- 1020 Lumen Output
- Dimmable

CENTURY PENDANTS

FINISH

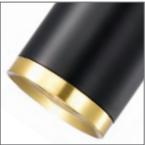
Matte Black



Matte White



Matte Black/
Brushed Brass



Matte Black/
Brushed Nickel



TP231
Track Adapter
(Sold Separately)



62-816



62-817



62-818



62-819

16.06" H
(407.92mm)

2.56" D
(65.02mm)

Item#	Description	Finish	Watts	CCT	Lumens
62-816	Century LED - 36° Beam Angle	Matte Black	12W	3000K	1020L
62-817	Century LED - 36° Beam Angle	Matte White	12W	3000K	1020L
62-818	Century LED - 36° Beam Angle	Matte Black/Brushed Brass	12W	3000K	1020L
62-819	Century LED - 36° Beam Angle	Matte Black/Brushed Nickel	12W	3000K	1020L

Optional Mounting-Pendant Track Adapters: TP231 (White), TP232 (Black) Wire Length - 8'

Product sheet SN1246

Specifications



Certifications



LINK



Features:

- ADA compliant wall sconces
- Brushed Nickel Finish with Satin White Glass
- 3 Year warranty



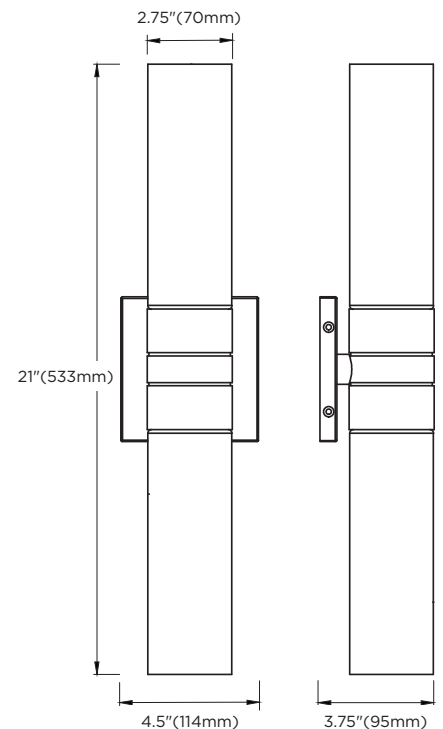
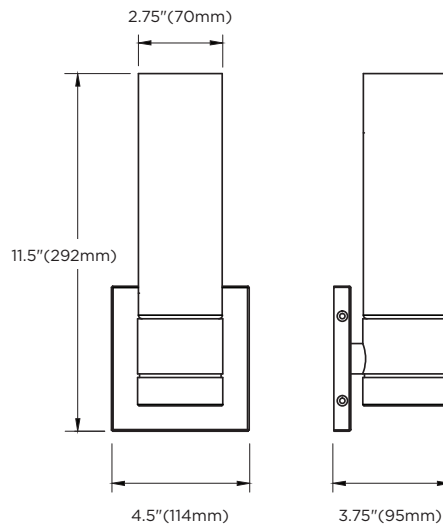
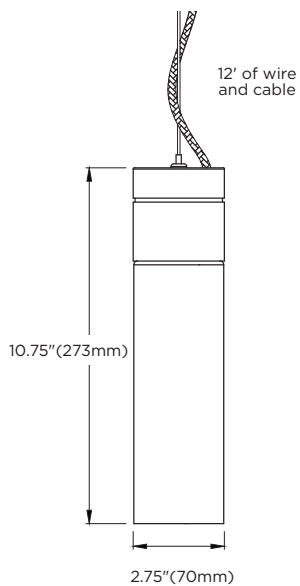
LINK



Single Tube Pendant
12' Wire Included

Single Tube Wall Sconce

Double Tube Wall Sconce
(vertical mount)



Item	Description	Watts	Lumens	Pack
62-2936	Double Tube Wall Sconce - Brushed Nickel	24	1640	8
62-2934	Single Tube Wall Sconce - Brushed Nickel	12	820	12
62-2932	Single Tube Pendant - Brushed Nickel	12	820	8
Accessories				
25-4091	36" 3 Light Mounting Plate - Brushed Nickel			5

*Consult Satco or visit www.satco.com for an up-to-date dimmer compatibility list. See warranty for details.

Product sheet NU1435

Specifications



Certifications



BUTTON ROUND FLUSH



Features:

- CCT Selectable 3000K/4000K/5000K
- Available in Brushed Nickel or Black with Satin White glass
- 3 Year warranty



ColorQuick™

Selectable Color Technology

Switch to/from the following CCT



BUTTON ROUND FLUSH



11" Black



11" Brushed Nickel



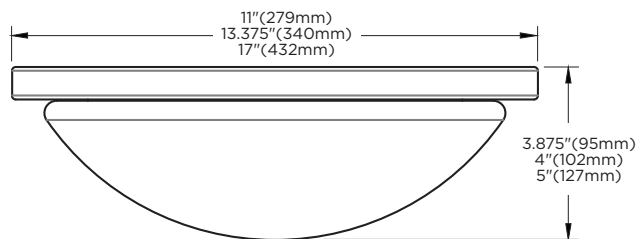
13" Black



13" Brushed Nickel



17" Black



Item	Description	CCT Selectable	Watts	Lumens	Pack
62-1842	11" - Brushed Nickel	3000K/4000K/5000K	18	1500L - 1600L	4
62-1843	13" - Brushed Nickel	3000K/4000K/5000K	18	1500L - 1600L	3
62-1844	17" - Brushed Nickel	3000K/4000K/5000K	25	2100L - 2200L	3
62-1942	11" - Black	3000K/4000K/5000K	18	1500L - 1600L	4
62-1943	13" - Black	3000K/4000K/5000K	18	1500L - 1600L	3
62-1944	17" - Black	3000K/4000K/5000K	25	2100L - 2200L	3

*Consult Satco or visit www.satco.com for an up-to-date dimmer compatibility list. See warranty for details.

Product sheet NU1371

Specifications



Certifications



PI ROUND FLUSH



Features:

- CCT Selectable 3000K/4000K/5000K
- Available in Brushed Nickel or Black with Etched glass
- 3 Year warranty



ColorQuick™

Selectable Color Technology

Switch to/from the following CCT



PI ROUND FLUSH



14" Black



11" Brushed Nickel



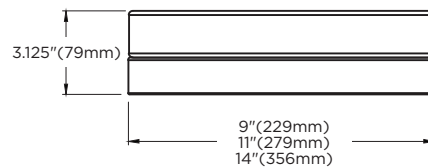
11" Black



9" Brushed Nickel



9" Black



Item	Description	CCT Selectable	Watts	Lumens	Pack
62-558	9" - Brushed Nickel	3000K/4000K/5000K	18	1500L - 1600L	4
62-559	11" - Brushed Nickel	3000K/4000K/5000K	25	2100L - 2200L	3
62-560	14" - Brushed Nickel	3000K/4000K/5000K	25	2100L - 2200L	3
62-568	9" - Black	3000K/4000K/5000K	18	1500L - 1600L	4
62-569	11" - Black	3000K/4000K/5000K	25	2100L - 2200L	3
62-570	14" - Black	3000K/4000K/5000K	25	2100L - 2200L	3

*Consult Satco or visit www.satco.com for an up-to-date dimmer compatibility list. See warranty for details.

Product sheet NU1544

Specifications



Certifications



TWIST AND LOCK FLUSH



Features:

120V/277V

Dimmable (120V only)

Available in Brushed Nickel or Mahogany
Bronze with Frosted Twist and Lock glass

5 Year warranty



TWIST AND LOCK FLUSH



12" Brushed Nickel



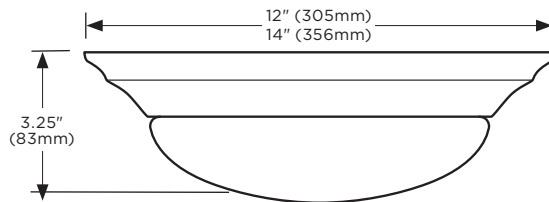
LED Module



12" Mahogany Bronze



14" Mahogany Bronze



Item	Description	Watts	Lumens	Pack
62-686	12" - Brushed Nickel	18	1500	4
62-687	12" - Mahogany Bronze	18	1500	4
62-688	14" - Brushed Nickel	25	2100	4
62-689	14" - Mahogany Bronze	25	2100	4

*Consult Satco or visit www.satco.com for an up-to-date dimmer compatibility list. See warranty for details.

Product sheet NUI308

Specifications



Certifications



11" AND 13" FLUSH



Features:

- Available in Brushed Nickel or Mahogany Bronze with Frosted glass
- 5 Year warranty



13" Brushed Nickel

11" AND 13" FLUSH



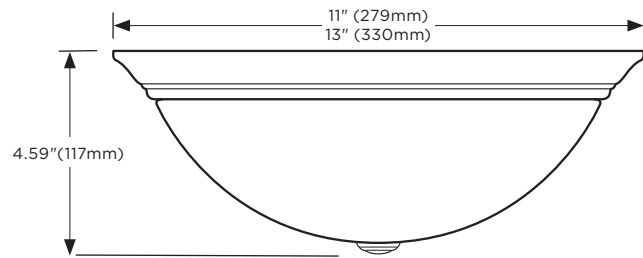
11" Mahogany Bronze



11" Brushed Nickel



13" Mahogany Bronze



Item	Description	Watts	Lumens	Pack
62-1340	11" Flush Mount - Brushed Nickel	16.5	1000	4
62-1341	13" Flush Mount - Brushed Nickel	23.5	1400	4
62-1342	11" Flush Mount - Mahogany Bronze	16.5	1000	4
62-1343	13" Flush Mount - Mahogany Bronze	23.5	1400	4

*Consult Satco or visit www.satco.com for an up-to-date dimmer compatibility list. See warranty for details.

Product sheet NUI555

Specifications



Certifications



LED INDOOR/OUTDOOR



Features:

- Rugged Diecast Aluminum
- Dimmable*
- Available in Black or White Finish
- Wet Location Listed
- T24/JA8 Compliant
- ENERGY STAR Certified
- 5 Year Warranty



LED INDOOR/OUTDOOR



LED Outdoor Oval Bulkhead



LED Outdoor
Small Oval Bulkhead



LED Outdoor
Rectangular Bulkhead Fixture



LED Outdoor
Cage Lantern



LED Flush Mount Spider Cage

Item	Description	Finish	Dimensions (inches)	Watts	Lumens	Pk
62-1388	LED Small Oval Bulk Head	White Finish/White Glass	8.5W x 5.0H x 4.25 Ext.	14	800	4
62-1389	LED Small Oval Bulk Head	Black Finish/White Glass	8.5W x 5.0H x 4.25 Ext.	14	800	4
62-1390	LED Oval Bulk Head	White Finish/White Glass	6.5W x 11H x 5.0 Ext.	18.5	1100	4
62-1391	LED Oval Bulk Head	Black Finish/White Glass	6.5W x 11H x 5.0 Ext.	18.5	1100	4
62-1393	LED Rectangular Bulk Head	White Finish/White Glass	7.0W x 10.5H x 4.5 Ext.	18.5	1100	4
62-1394	LED Rectangular Bulk Head	Black Finish/White Glass	7.0W x 10.5H x 4.5 Ext.	18.5	1100	4
62-1396	LED Cage Lantern	White Finish/White Linen Lens	7.75W x 9.875H x 4.25 Ext.	13.5	745	4
62-1397	LED Cage Lantern	Black Finish/White Linen Lens	7.75W x 9.875H x 4.25 Ext.	13.5	745	4
62-1399	LED Spider Cage	White Finish/Frosted Glass	10.5W x 10.5H x 5.0 Ext.	18.5	1100	4
62-1400	LED Spider Cage	White Finish/Frosted Glass	10.5W x 10.5H x 5.0 Ext.	18.5	1100	4

*Consult Satco or visit www.satco.com for an up-to-date dimmer compatibility list. See warranty for details.

Product sheet NU1730

Specifications

- DIMMABLE
- WET LOCATION
- 90 CRI
- 120 VOLT
- 3000 K
- 50,000 HOURS
- 5 Year Warranty

Certifications

-
-
-
-

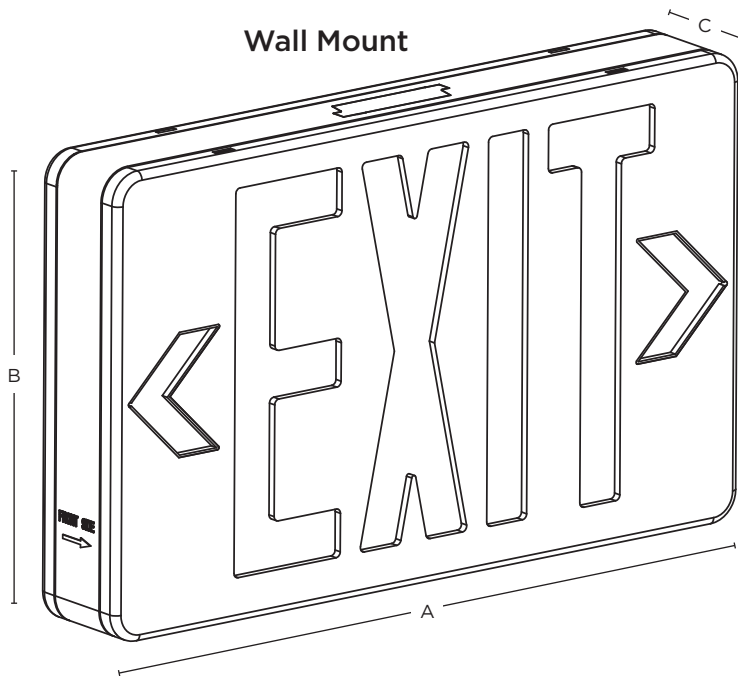
LED EXIT SIGN



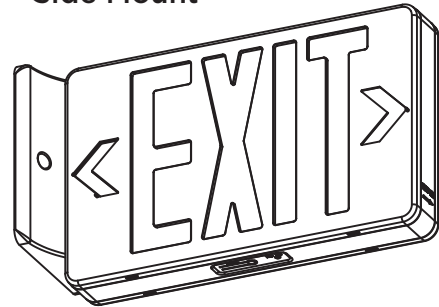
Features:

- Green or Red Lettering
- Single or Double Face
- Knockout Chevron Directional Arrows
- Ceiling, Wall or Side Mounting,
- Accessories Included
- 5VA Flame Retardant ABS Housing
- 90 Minute Battery Backup Run Time
- Test Switch and AC Supply Indicator

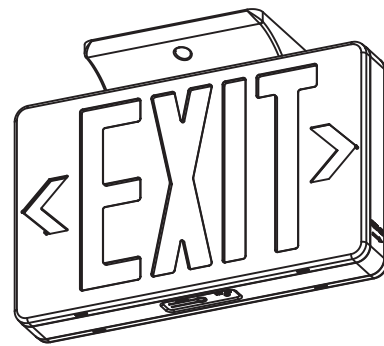
LED EXIT SIGN



Side Mount



Ceiling Mount



Item	Description	Letter Color	Housing Color	Watts
67-100	LED Exit Indoor Sign	Green	White	2.9
67-101	LED Exit Indoor Sign	Red	White	2.9

Dimensions

Item	A - Width	B - Height	C - Depth
67-100	11.81"	7.25"	1.81"
67-101	11.81"	7.25"	1.81"

Specifications



Certifications



Product sheet NU1800

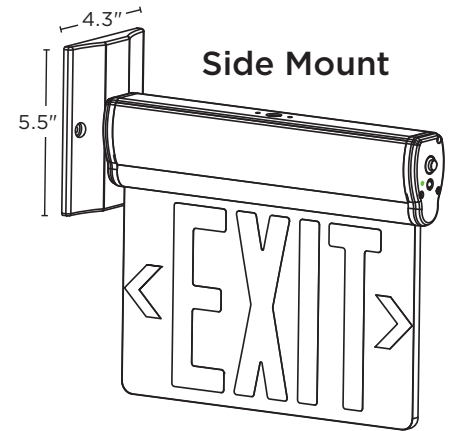
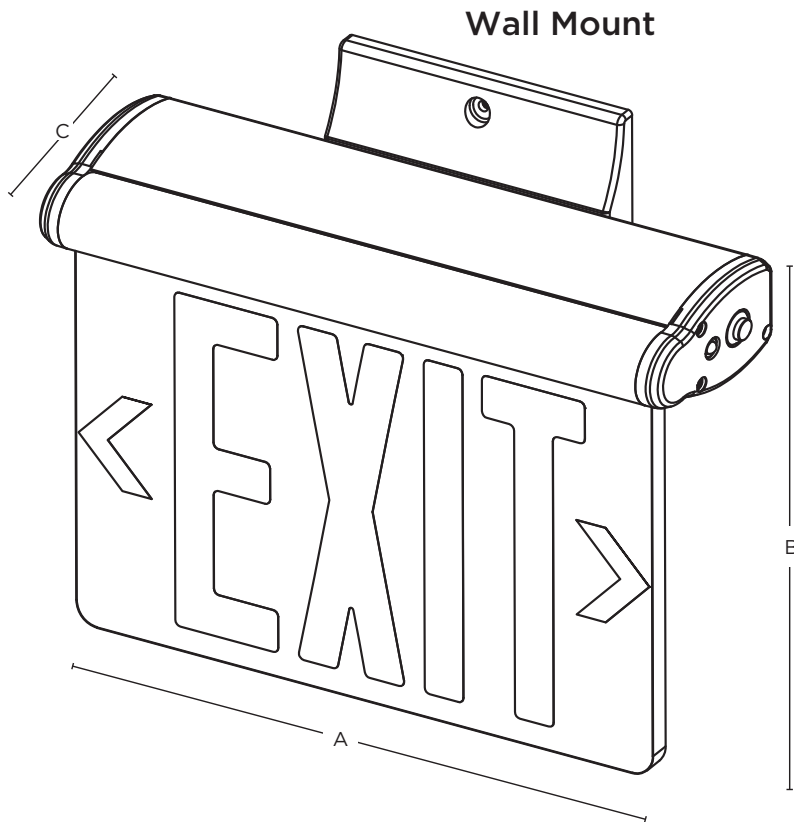
LED EDGE-LIT EXIT SIGN



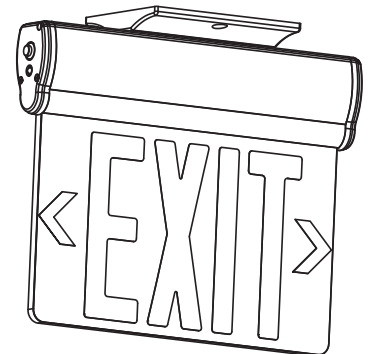
Features:

- Green or Red Lettering
- Mirrored Double Face or Clear Single Face
- Configurable Arrows
- Ceiling, Wall or Side Mounting, Accessories Included
- Sleek Brushed Aluminum Housing
- 90 Minute Battery Backup Run Time
- Test Switch and AC Supply Indicator

LED EDGE-LIT EXIT SIGN



Ceiling Mount



Item	Description	Faces	Letter Color	Panel Finish	Watts
67-110	LED Edge-Lit Exit Sign	Double	Green	Mirror	2.9
67-111	LED Edge-Lit Exit Sign	Double	Red	Mirror	3.1
67-112	LED Edge-Lit Exit Sign	Single	Green	Clear	2.9
67-113	LED Edge-Lit Exit Sign	Single	Red	Clear	3.1

Dimensions

Item	A - Width	B - Height	C - Depth
67-110	12.06"	9.69"	1.81"
67-111	12.06"	9.69"	1.81"
67-112	12.06"	9.69"	1.81"
67-113	12.06"	9.69"	1.81"

Product sheet NU1798

Specifications



Certifications



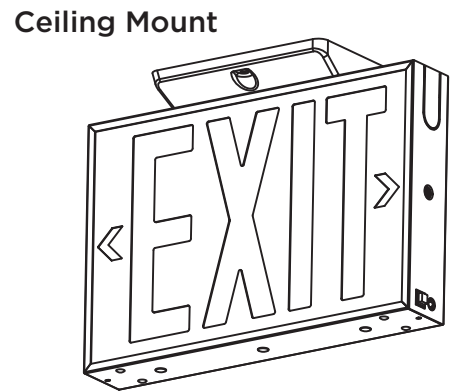
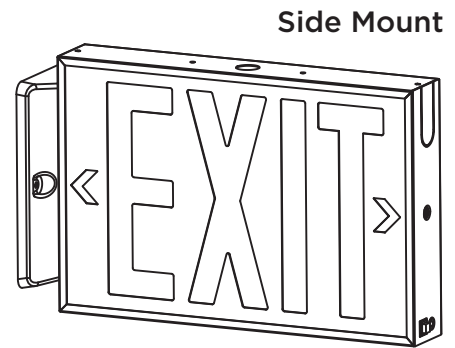
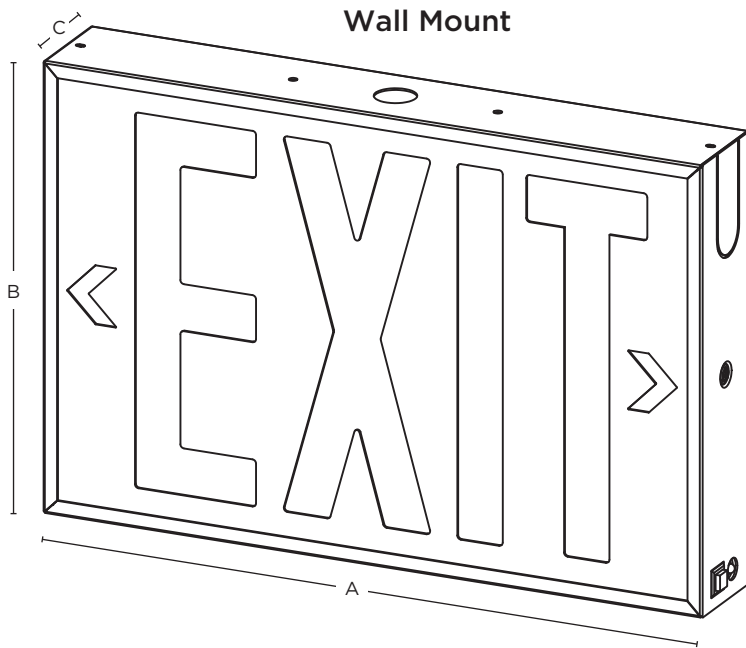
LED EXIT SIGN



Features:

- Red Lettering
- Single or Double Face
- Knockout Chevron Directional Arrows
- Ceiling, Wall or Side Mounting,
- Accessories Included
- 20-Gauge Steel Housing
- 90 Minute Battery Backup Run Time
- Test Switch and AC Supply Indicator

LED EXIT SIGN



Item	Description	Letter Color	Housing Color	Watts
67-102	LED Exit Sign NYC Approved	Red	White	2.0

Dimensions

Item	A - Width	B - Height	C - Depth
67-102	14.56"	9.63"	2.31"

Product sheet NU1799

Specifications



Certifications



LED RECESSED EDGE-LIT EXIT SIGN

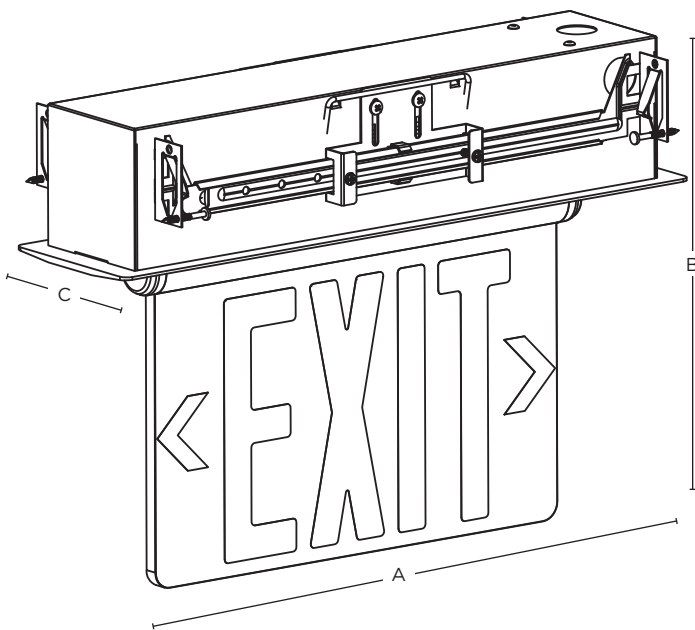


Features:

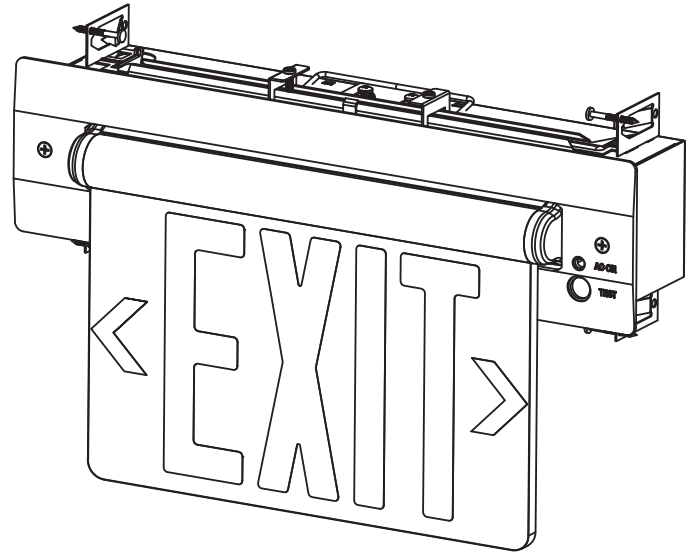
- Green or Red Lettering
- Mirrored Double Face or Clear Single Face
- Configurable Arrows
- Recessed Ceiling and Wall Mounting, Accessories Included
- Sleek Brushed Aluminum Housing
- 90 Minute Battery Backup Run Time
- Test Switch and AC Supply Indicator

LED RECESSED EDGE-LIT EXIT SIGN

Recessed Ceiling Mount



Recessed Wall Mount



Item	Description	Faces	Letter Color	Panel Finish	Watts
67-114	LED Edge-Lit Exit Sign	Single	Red	Clear	3.14
67-115	LED Edge-Lit Exit Sign	Double	Green	Mirrored	2.94
67-116	LED Edge-Lit Exit Sign	Single	Red	Clear	2.94
67-117	LED Edge-Lit Exit Sign	Double	Green	Mirrored	3.14

Dimensions

Item	A - Width	B - Height	C - Depth
67-114	15.75"	11.00"	4.00"
67-115	15.75"	11.00"	4.00"
67-116	15.75"	11.00"	4.00"
67-117	15.75"	11.00"	4.00"

Product sheet NU1797

Specifications



Certifications



LED EXIT AND EMERGENCY LIGHT COMBO SIGN

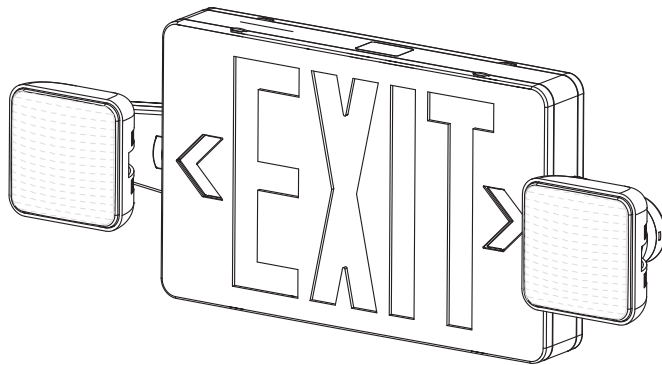


Features:

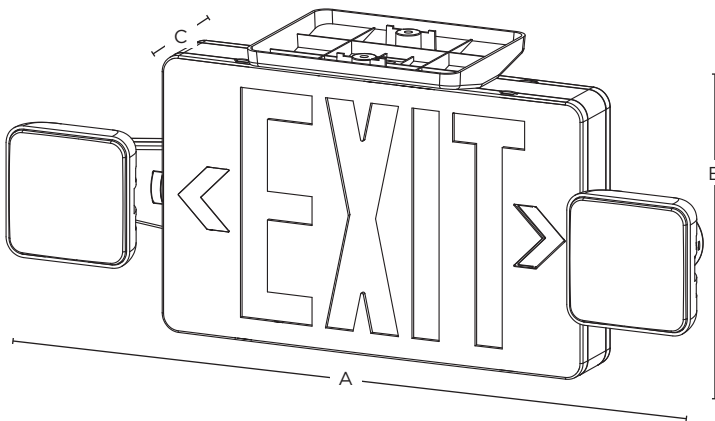
- Green or Red Lettering
- Single Face or Dual Face
- Knockout Chevron Directional Arrows
- Ceiling and Wall Mounting,
- Accessories Included
- 5VA Flame Retardant ABS Housing
- 90 Minute Battery Backup Run Time

LED EXIT AND EMERGENCY LIGHT COMBO SIGN

Wall Mount



Ceiling Mount



Accessories



Remote Emergency Light Single Head White



Remote Emergency Light Double Head White

Item	Description	Letter Color	Finish	Watts
67-120	LED Exit & Emergency Sign	Green	White	2.8
67-121	LED Exit & Emergency Sign	Red	White	2.8
67-122	LED Exit & Emergency Sign	Red	White	3.5
67-125	LED Exit & Emergency Sign	Green	White	3.5

Accessories

67-134	Remote Emergency Light SH	N/A	White
67-135	Remote Emergency Light DH	N/A	White

Dimensions

Item	A - Width	B - Height	C - Depth
67-120	19.00"	7.25"	4.00"
67-121	19.00"	7.25"	4.00"
67-122	19.00"	7.25"	4.00"
67-125	19.00"	7.25"	4.00"

Accessories

67-134	6.00"	4.25"	3.38"
67-135	6.00"	4.25"	3.38"

Product sheet NU1792

Specifications



Certifications

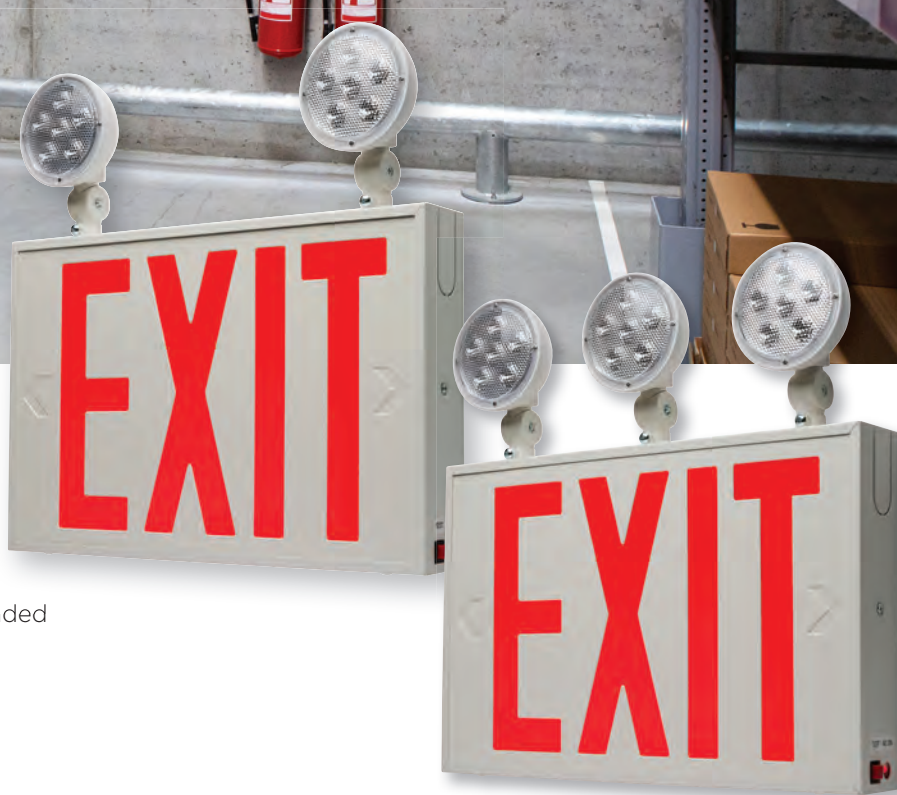


LED EXIT AND EMERGENCY LIGHT COMBO SIGN

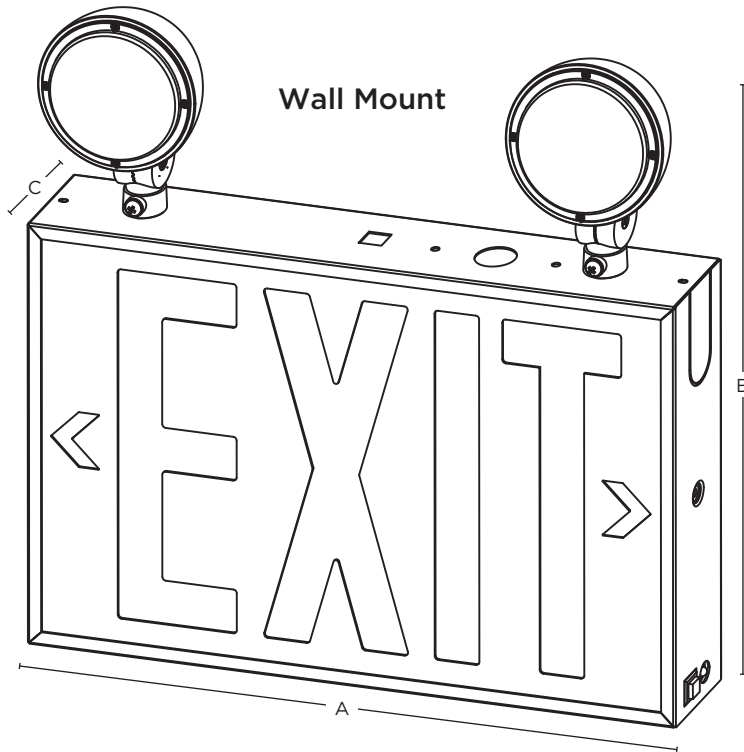


Features:

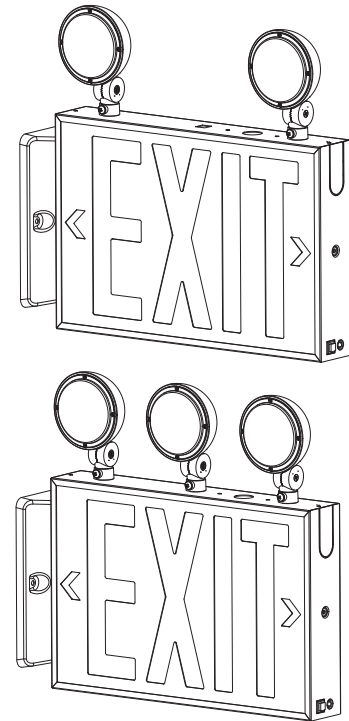
- Red Lettering
- Single Face or Double Face
- Knockout Chevron Directional Arrows
- Wall or Side Mounting, Accessories Included
- 20-Gauge Steel Housing
- 90 Minute Battery Backup Run Time



LED EXIT AND EMERGENCY LIGHT COMBO SIGN



Side Mount



Item	Description	Letter Color	Housing Color	Watts
67-123	LED Exit & Emergency Sign 2 Heads NYC	Red	White	3.0
67-124	LED Exit & Emergency Sign 3 Heads NYC	Red	White	3.0

Dimensions

Item	A - Width	B - Height	C - Depth
67-123	14.56"	14.88"	2.31"
67-124	14.56"	14.88"	2.31"

Product sheet NU1801

Specifications



Certifications



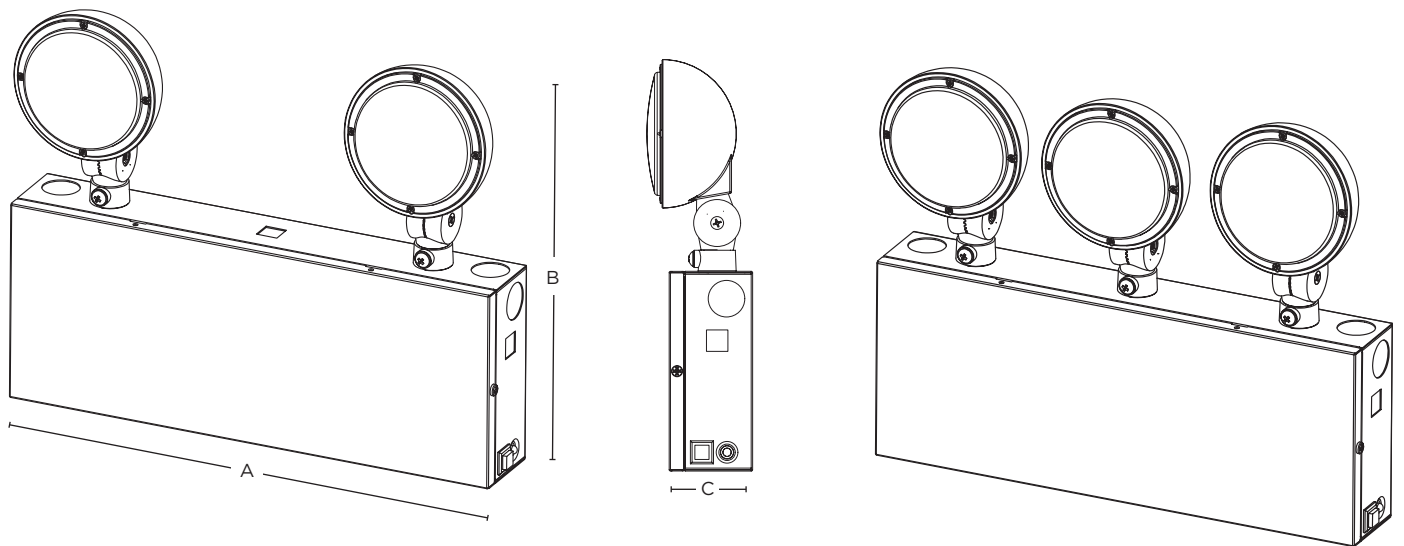
LED EMERGENCY LIGHT



Features:

- Two or Three Adjustable Light Heads
- Wall Mounting, Accessories Included
- NYC Approved Steel Housing
- 90 Minute Battery Backup Run Time
- Test Switch and AC Supply Indicator

LED EMERGENCY LIGHT



Item	Description	Housing Color	Dimensions (inches)	Watts
67-132	LED Emergency Light Two Heads, NYC	White	12W x 9.88H x 2D	1.5
67-133	LED Emergency Light Three Heads, NYC	White	12W x 9.88H x 2D	1.5

Dimensions

Item	A - Width	B - Height	C - Depth
67-132	12.00"	9.88"	1.5"
67-133	12.00"	9.88"	1.5"

Specifications



Certifications



Product sheet NUI795

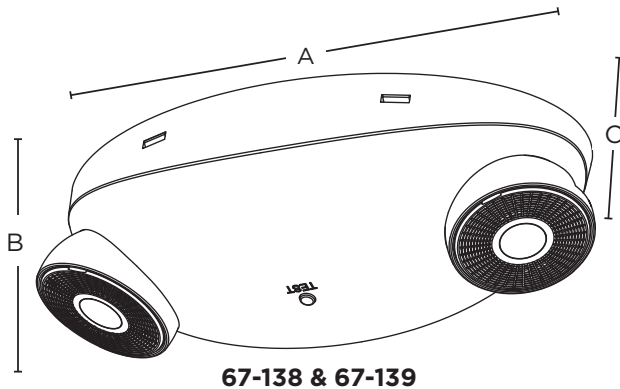
LED EMERGENCY LIGHT



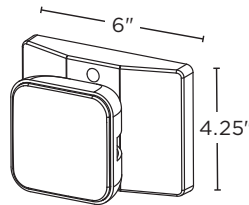
Features:

- Two Adjustable Light Heads
- Ceiling or Wall Mounting, Accessories Included
- 5VA Flame Retardant ABS Lamp Heads
- 90 Minute Battery Backup Run Time
- Test Switch and AC Supply Indicator
- Remote Capable

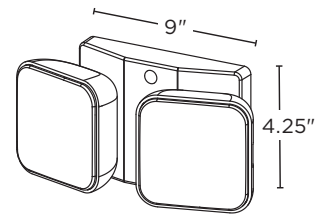
LED EMERGENCY LIGHT



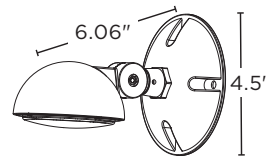
67-138 & 67-139



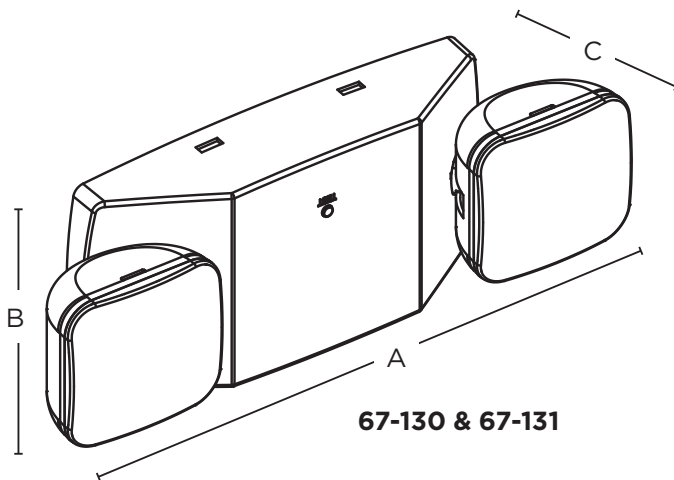
67-134



67-135



67-136



67-130 & 67-131

Remote Capable Light Heads



Remote Emergency Light Single Head White



Remote Emergency Light Double Head White



Remote Emergency Light Single Head White/Weatherproof

Item	Description	Remote Capable	Housing Color	Dimensions (inches)	Watts
67-130	LED Emergency Light, Square	No	White	12.5W x 4.5H x 2.88D	.8
67-131	LED Emergency Light, Square RC	Yes	White	12.5W x 4.5H x 2.88D	1
67-138	LED Emergency, Light Round	No	White	8.25W x 4.06H x 2.38D	.8
67-139	LED Emergency Light, Round RC	Yes	White	8.25W x 4.06H x 2.38D	1

Remote Capable Light Heads

67-134	Remote Emergency Light SH	White	6W x 4.25H
67-135	Remote Emergency Light DH	White	9W x 4.5H
67-136	Remote Emergency Light WP	White	6.06W x 4.5H

Dimensions

Item	A - Width	B - Height	C - Depth
67-130	12.5"	4.5"	2.88"
67-131	12.5"	4.5"	2.88"
67-138	8.25"	4.06"	2.38"
67-139	8.25"	4.06"	2.38"

Specifications



Certifications



EMERGENCY BATTERY BACKUP WALL PACK



Features:

- CCT Selectable - 3500K/4000K/5000K
- Integrated photocell (by-passable)
- Integrated EM Backup, Test/Indicator Button
- Compact Sleek Design
- 2.5kV Surge Protection
- 100° Beam Angle
- 90 Minute Run Time in Emergency Mode



ColorQuick[®]
Selectable Color Technology

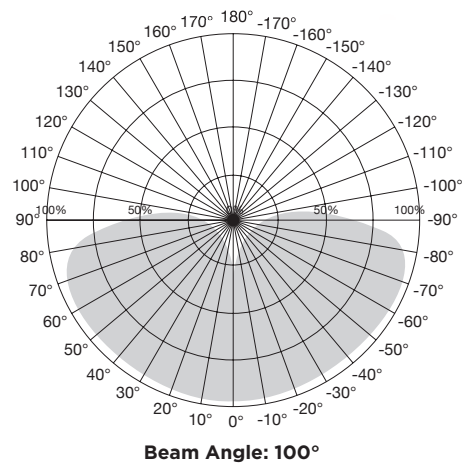
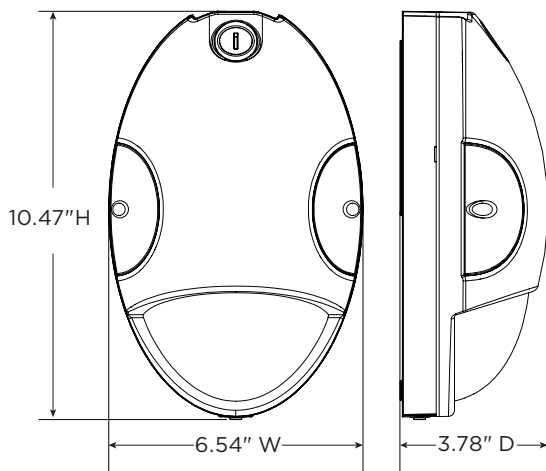
EMERGENCY BATTERY BACKUP WALL PACK



By-Passable Photocell



Test/Indicator Button



Item	Description	Watt	CCT	Lumens	UPC	Pack
65-880	BRONZE	15	3500K/4000K/5000K	1740-1814	045923650406	4
65-881	BLACK	15	3500K/4000K/5000K	1740-1814	045923650505	4

Product sheet NU1816

Specifications

- EMERGENCY
- CCT SELECTABLE
- WET LOCATION
- 0-10V DIMMING
- IK 08
- IP 65
- 50,000 HOURS
- 5 YEAR WARRANTY

Certifications

-
-
-
-

INDEX

Item	Page	Item	Page	Item	Page	Item	Page
25-1700	185	62-1143R1	67	62-1706	184	62-1770	188, 189
25-1701	185	62-1144R1	67	62-1707	184	62-1771	188, 189
25-1702	185	62-1145R1	67	62-1710-EM	193	62-1772	188, 189
25-1704	185	62-1146R1	67	62-1710	184	62-1773	188, 189
25-1705	185	62-1147	65	62-1711-EM	193	62-1774	188, 189
25-1706	185	62-1148	65	62-1711	184	62-1775	188, 189
25-1710	185	62-1149	65	62-1712-EM	193	62-1776	188, 189
25-1711	185	62-1197	61	62-1712	184	62-1777	188, 189
25-1712	185	62-1198	61	62-1713-EM	193	62-1778	188, 189
25-1713	185	62-1199	61	62-1713	184	62-1779	188, 189
25-1714	185	62-1200	61	62-1714-EM	193	62-1780	188, 189
25-1715	185	62-1201	61	62-1714	184	62-1781	188, 189
25-1716	185	62-1202	61	62-1715-EM	193	62-1782	188, 189
25-1717	185	62-1203	61	62-1715	184	62-1783	188, 189
25-1720	185	62-1204	61	62-1716-EM	193	62-1784	188, 189
25-1721	185	62-1205	61	62-1716	184	62-1785	188, 189
25-1722	185	62-1206	61	62-1717-EM	193	62-1786	188, 189
25-1723	185	62-1207	61	62-1717	184	62-1787	188, 189
25-1724	185	62-1208	61	62-1718	184	62-1788	188, 189
25-1725	185	62-1210	197	62-1719	184	62-1789	188, 189
25-1726	185	62-1211	197	62-1720-EM	193	62-1796	188, 189
25-1727	185	62-1212	197	62-1720	184	62-1799	188, 189
25-4091	215	62-1213	197	62-1721-EM	193	62-1800	195
60-671	61	62-1214	201	62-1721	184	62-1801	195
60-672	61	62-1215	201	62-1722-EM	193	62-1802	195
60-673	61	62-1216	201	62-1722	184	62-1803	195
60-674	61	62-1217	201	62-1723-EM	193	62-1804	195
60-675	61	62-1218	197	62-1723	184	62-1805	195
60-676	61	62-1219	197	62-1724-EM	193	62-1810	195
60-677	61	62-1225	199	62-1724	184	62-1811	195
60-678	61	62-1226	199	62-1725-EM	193	62-1812	195
60-679	61	62-1340	223	62-1725	184	62-1813	195
60-680	61	62-1341	223	62-1726-EM	193	62-1814	195
60-681	61	62-1342	223	62-1726	184	62-1815	195
60-682	61	62-1343	223	62-1727-EM	193	62-1820	195
62-558	219	62-1388	225	62-1727	184	62-1821	195
62-559	219	62-1389	225	62-1728	184	62-1842	217
62-560	219	62-1390	225	62-1729	184	62-1843	217
62-568	219	62-1391	225	62-1731	209	62-1844	217
62-569	219	62-1393	225	62-1732	209	62-1900	191, 192
62-570	219	62-1394	225	62-1733	184	62-1901	191, 192
62-686	221	62-1396	225	62-1734	184	62-1902	191, 192
62-687	221	62-1397	225	62-1735	203	62-1903	191, 192
62-688	221	62-1399	225	62-1736	203	62-1904	191, 192
62-689	221	62-1400	225	62-1737	203	62-1905	191, 192
62-816	213	62-1631	209	62-1738	203	62-1906	191, 192
62-817	213	62-1632	209	62-1739	205	62-1907	191, 192
62-818	213	62-1633	209	62-1740	205	62-1910	191, 192
62-819	213	62-1634	209	62-1741	203	62-1911	191, 192
62-826	211	62-1635	203	62-1743	184	62-1912	191, 192
62-827	211	62-1636	203	62-1744	184	62-1913	191, 192
62-828	211	62-1637	203	62-1745	207	62-1914	191, 192
62-829	211	62-1638	203	62-1746-EM	193	62-1915	191, 192
62-927	181	62-1639	205	62-1746	184	62-1916	191, 192
62-928	181	62-1640	205	62-1747-EM	193	62-1917	191, 192
62-1105	165	62-1641	203	62-1747	184	62-1920	191, 192
62-1106	165	62-1645	207	62-1748	184	62-1921	191, 192
62-1107	165	62-1646	207	62-1749	184	62-1922	191, 192
62-1108	165	62-1700	184	62-1756-EM	193	62-1923	191, 192
62-1137	65	62-1701	184	62-1756	184	62-1924	191, 192
62-1138	65	62-1702	184	62-1757-EM	193	62-1925	191, 192
62-1139	65	62-1703	184	62-1757	184	62-1926	191, 192
62-1141R1	67	62-1704	184	62-1758	184	62-1927	191, 192
62-1142R1	67	62-1705	184	62-1759	184	62-1942	217

INDEX

Item	Page	Item	Page	Item	Page	Item	Page
62-1943	217	65-405	63	65-616	51	65-694	109
62-1944	217	65-407	63	65-617	51	65-695	109
62-2932	215	65-409	63	65-618	51	65-696	109
62-2934	215	65-411	63	65-619R1	51	65-697	109
62-2936	215	65-497	81	65-620R1	51	65-698	87
63-500	173	65-498	81	65-623R1	23	65-699	87
63-501	173	65-499	81	65-624R1	23	65-700	87
63-502	173	65-500	81	65-625R1	23	65-701	87
63-503	173	65-501	81	65-626R1	23	65-702	87
63-504	173	65-502	81	65-627R1	23	65-703	87
63-510	173, 175	65-503	81	65-628R1	23	65-706	87
63-511	173, 175	65-504	81	65-629R1	23	65-707	87
63-512	173, 175	65-505	81	65-630R1	23	65-708	87
63-513	173, 175	65-506	81	65-631R1	23	65-710	59
63-514	173, 175	65-507	81	65-632R1	23	65-711	59
63-515	173, 175	65-508	81	65-633	21	65-712	59
63-516	173, 175	65-528	51	65-634	21	65-713	59
63-517	173, 175	65-529	51	65-635	21	65-714	59
63-518	173, 175	65-530	51	65-636	21	65-715	59
63-551	175	65-531	51	65-637	21	65-716	59
63-552	175	65-532	51	65-638	23	65-717	59
63-553	175	65-533	51	65-639	23	65-718	59
63-554	175	65-541	49	65-641R1	83	65-719	59
63-555	175	65-542	49	65-642R1	83	65-720	59
63-700	177	65-543	49	65-643R1	83	65-721	59
63-701	177	65-544	49	65-644R1	83	65-747	17
65-113	69	65-545	49	65-645R1	83	65-748	17
65-114	69	65-546	49	65-646R1	83	65-749	17
65-138	25	65-547	49	65-647R1	83	65-750	15
65-139	25	65-548	49	65-648R1	83	65-751	15
65-140	25	65-549	49	65-650	84	65-752	15
65-141	25	65-550	71	65-651	84	65-754	5
65-142	25	65-551	71	65-652	84	65-755	5
65-143	25	65-571R1	107	65-653	84	65-756	5
65-144	25	65-572R1	107	65-655	13	65-757	5
65-145	25	65-573R1	107	65-656	13	65-758	5
65-146	25	65-575R1	107	65-657	47	65-759	79
65-147	25	65-576R1	107	65-658	47	65-760	5
65-148	25	65-577R1	107	65-659	47	65-761	5
65-149	25	65-581R1	107	65-660	47	65-762	5
65-150	25	65-582R1	107	65-661	47	65-763	79
65-169	79	65-583R1	107	65-662	47	65-764	79
65-170	79	65-585R1	107	65-671	11	65-765	79
65-171	73	65-586R1	107	65-672	11	65-766	79
65-172	73	65-587R1	107	65-673	11	65-769	79
65-173	73	65-588	107	65-674	9	65-770R2	75
65-199	79	65-589	107	65-675	9	65-771R2	75
65-200	79	65-590	107	65-676	9	65-778	79
65-210	57	65-591	107	65-677	7	65-779	79
65-211	57	65-592	107	65-678	7	65-780	79
65-212	57	65-593	107	65-679	7	65-781R2	77
65-213	57	65-595R1	107	65-680	7	65-782R2	77
65-214	57	65-596R1	107	65-681	43	65-783R2	77
65-215	57	65-597R1	107	65-682	43	65-784R2	77
65-216	57	65-598	107	65-683	43	65-785R2	77
65-217	57	65-599	107	65-684	43	65-786R2	77
65-218	57	65-600	107	65-685	43	65-787R2	77
65-219	57	65-604	51	65-686	43	65-788R2	77
65-220	57	65-605	51	65-687	43, 45	65-789	79
65-221	57	65-606	51	65-688	43	65-790	79
65-244	45	65-609	51	65-690	109	65-791R2	77
65-245	45	65-610	51	65-691	109	65-792R2	77
65-401	63	65-613	51	65-692	109	65-793R2	77
65-403	63	65-615	51	65-693	109	65-794R2	77

INDEX

Item	Page	Item	Page	Item	Page	Item	Page
65-795R2	77	65-860-5	27	65-963	179	67-100	227
65-796R2	77	65-860	27	65-964	179	67-101	227
65-797R2	77	65-861-4	27	65-965	179	67-102	231
65-798R2	77	65-861-5	27	65-970	179	67-110	229
65-799	79	65-861	27	65-971	179	67-111	229
65-800	79	65-862-4	27	65-972	179	67-112	229
65-801R2	77	65-862-5	27	65-973	179	67-113	229
65-802R2	77	65-862	27	65-974	179	67-114	233
65-803R2	77	65-863-4	27	65-975	179	67-115	233
65-804R2	77	65-863-5	27	65-1070	103	67-116	233
65-805R2	77	65-863	27	65-1071	103	67-117	233
65-806R2	77	65-864-4	29	65-1072	103	67-120	235
65-807R2	77	65-864-5	29	65-1073	103	67-121	235
65-808R2	77	65-864	29	65-1074	103	67-122	235
65-809	79	65-865-4	29	65-1081	101	67-123	237
65-810	79	65-865-5	29	65-1082	101	67-124	237
65-811	79	65-865	29	65-1083	101	67-125	235
65-815	79	65-866-4	31	65-1084	101	67-130	241
65-818	5	65-866-5	31	65-1091	101	67-131	241
65-819	5	65-866	31	65-1092	101	67-132	239
65-820R1	97	65-867-4	31	65-1095	101	67-133	239
65-821R1	97	65-867-5	31	65-1096	101	67-134	235, 241
65-822R1	97	65-867	31	65-1097	101	67-135	235, 241
65-823R1	97	65-868-4	31	65-1098	101	67-136	241
65-824R1	97	65-868-5	31	65-1100	105	67-138	241
65-825R1	97	65-868	31	65-1101	105	67-139	241
65-826	97	65-869-4	31	65-1102	105	76-640	61
65-827	97	65-869-5	31	65-1103	105	76-641	61
65-828	99	65-869	31	65-1104	105	76-665	61
65-830R1	99	65-870	35	65-1107	105	76-666	61
65-831R1	99	65-871	35	65-1108	105	80-942	139, 141
65-832R1	99	65-872	35	65-1112	105	80-943	131, 133, 135, 137, 139, 141, 143
65-833R1	99	65-873	35	65-1113	105	80-944	131, 133, 135, 137, 143
65-840-4	27	65-874	35	65-1118	89, 91	80-945	131
65-840-5	27	65-875	35	65-1119	89, 91	80-946	131, 133, 135, 137, 139, 143, 145, 147, 149, 153
65-840	27	65-876	35	65-1122	89	80-947	131, 133, 135, 137, 143, 145, 147, 149, 153
65-841-4	27	65-877	35	65-1123	89	80-948	131, 149, 153
65-841-5	27	65-878	35	65-1125	89	80-949	131, 139, 141, 149
65-841	27	65-880	243	65-1126	89	80-950	135, 137, 139, 141, 143, 145, 147
65-842-4	27	65-881	243	65-1127	89, 91	80-951	135, 137, 143, 145, 147
65-842-5	27	65-890	41	65-1132	91	80-952	143
65-842	27	65-891	41	65-1133	91	80-959	149, 151, 153
65-843-4	27	65-892	41	65-1135	91	80-970	149, 153
65-843-5	27	65-893	41	65-1136	91	80-973	135, 153
65-843	27	65-900	55	65-1142	91	80-974	119
65-844-4	29	65-901	55	65-1143	91	80-975	119
65-844-5	29	65-902	55	65-1145	91	80-976	119
65-844	29	65-910	95	65-1146	91	80-977	119
65-845-4	29	65-911	95	65-1152	91	80-978	119
65-845-5	29	65-912	95	65-1153	91	80-979	119
65-845	29	65-913	95	65-1155	91	80-980	129
65-846-4	31	65-914	95	65-1156	91	80-981	129
65-846-5	31	65-915	95	65-1700	87	80-982	129
65-846	31	65-916	95	65-1701	87	80-983	129
65-847-4	31	65-917	95	65-1702	87	80-985	135, 137, 143
65-847-5	31	65-918	95	65-1703	87	82-985	133
65-847	31	65-919	95	65-062	19	86-202R	81, 87, 89, 91
65-848-4	31	65-956	179	65-063	19	86-203	25
65-848-5	31	65-957	179	65-534R1	51	86-205	7, 9, 11
65-848	31	65-958	179	65-535R1	51	86-209	84
65-849-4	31	65-959	179	65-536R1	51		
65-849-5	31	65-960	179	65-537R1	51		
65-849	31	65-961	179	65-538R1	51		
65-860-4	27	65-962	179	65-539R1	51		

INDEX

Item	Page	Item	Page	Item	Page	Item	Page
86-211	81, 87, 89, 91, 103	S11829	131	S39062	145	TH490	159
86-212	51	S11830	131	S39063	145	TH491	159
86-214	81, 87, 89, 91	S11831	131	S39312	121	TH492	159
86-216	131, 139, 141	S11832	115	S39313	121	TH493	159
86-217	21, 23, 79, 84	S11833	115	S39314	121	TH494	159
86-218	21, 23, 79, 84	S11834	115	S39315	121	TH495	159
86-219	21, 23, 79, 84	S11835	115	TH401	161	TH496	159
86-220	21, 23, 79, 84	S11836	115	TH402	161	TH497	159
86-221	35, 41	S11837	115	TH403	161	TH498	159
86-222	35	S11840	143	TH404	161	TH499	159
86-223	35, 41	S11841	143	TH405	161	TH500	167
86-224	35	S11842	143	TH407	161	TH501	167
86-225	35	S11843	143	TH411	159	TH502	167
86-226	35	S11844	119	TH412	159	TH503	167
86-227	35	S11845	119	TH413	159	TH504	167
86-228	35	S11846	125	TH414	159	TH505	167
S8000	135, 153	S11850	153	TH415	159	TH506	167
S8002	135, 153	S11851	153	TH417	159	TH507	167
S8003	149, 151	S11852	153	TH421	159	TH601	155
S9598	127	S11853	153	TH422	159	TH602	155
S9599	127	S11854	117	TH423	159	TH603	155
S9729	126	S11855	117	TH424	159	TH604	155
S11618R1	139	S11856	117	TH425	159	TH611	155
S11619R1	139	S11857	117	TH427	159	TH612	155
S11620R1	139	S11858	117	TH431	163	TH613	155
S11621R1	141	S11859	117	TH432	163	TH614	155
S11622R1	141	S11860	143	TH433	163	TH621	155
S11623R1	141	S11861	143	TH434	163	TH622	155
S11624R1	139	S11862	143	TH435	163	TH623	155
S11625R1	139	S11863	143	TH437	163	TH624	155
S11626R1	139	S11864	137	TH441	157	TH631	163
S11627R1	141	S11865	137	TH442	157	TH632	163
S11628R1	141	S11866	137	TH443	157	TH633	163
S11629R1	141	S11867	137	TH444	157	TH634	163
S11630	139	S11868	137	TH445	157	TH635	161
S11631	139	S11869	137	TH447	157	TH636	161
S11632	139	S11870	133	TH451	163	TH637	161
S11633	141	S11871	133	TH452	163	TH638	161
S11634	141	S11872	133	TH453	163	TH641	163
S11635	141	S11873	133	TH454	163	TH642	163
S11640	123	S11874	131	TH455	163	TH643	163
S11641	123	S11875	131	TH457	163	TH644	163
S11642	121	S11876	131	TH461	157	TH645	161
S11643	121	S11877	131	TH462	157	TH646	161
S11644	121	S11878	135	TH463	157	TH647	161
S11645	121	S11879	135	TH464	157	TH648	161
S11800R1	113	S18800	111	TH465	157	TK403	169
S11801R1	113	S18801	111	TH467	157	TK404	169
S11810	149, 151	S18802	111	TH471	161	TK407	169
S11811	149, 151	S18803	111	TH472	161	TK413	169
S11812	149, 151	S39011	147	TH473	161	TK414	169
S11813	149, 151	S39012	147	TH474	161	TK417	169
S11814	149, 151	S39013	147	TH475	161	TK423	169
S11815	149, 151	S39021	147	TH477	161	TK424	169
S11816	149, 151	S39026	147	TH480	157	TK427	169
S11817	149, 151	S39027	147	TH481	157		
S11820R1	113	S39028	147	TH482	157		
S11821R1	113	S39029	147	TH483	157		
S11822	113	S39055	145	TH484	157		
S11824	113	S39056	145	TH485	157		
S11825R1	113	S39057	145	TH486	157		
S11826	131	S39058	145	TH487	157		
S11827	131	S39059	145	TH488	159		
S11828	131	S39061	145	TH489	159		



To learn more about Satco | Nuvo,
visit satco.com or contact 800-437-2826.

DISTRIBUTION CENTERS

New York (Headquarters)

110 Heartland Blvd., Brentwood, NY 11717
Tel. 631-243-2022, Fax: 631-243-2027

Texas

2000 Valwood Parkway, Farmers Branch, TX 75234
Tel. 972-247-2437, Fax: 972-247-5408

Florida

1694 NW 215th Street, Miami Gardens, FL 33056
Tel. 305-624-2044, Fax: 305-623-0286

California

31288 San Benito Street, Hayward, CA 94544
Tel. 510-487-4822, Fax: 510-487-8955

Washington

4710 116th S.W., Mukilteo, WA 98275
Tel. 425-789-3300, Fax: 425-789-3310

Puerto Rico

Campeche Street. 23 Julio
N. Matos Industrial Park, Carolina, PR 00984
Tel. 787-757-3510, Fax: 787-757-3540

Products inventoried in Canada & Mexico:

Contact: internationalsales@satco.com
631-243-2022 Ext. 315