

**LED LAMPS
& DOWNLIGHT
RETROFITS**





SATCO LED lamps offer one of today's largest selections of LED products — providing solutions for the commercial, industrial and residential markets.

We bring quality, value and design to every product we create. With advancing technology, we improve performance, energy savings, safety, ease of installation and maintenance, and overall satisfaction.

We are your partners in success — from convenient packaging options and retail support to inventory supply.

SATCO is the lighting solution you can count on for the products you can rely on!



We do the LIGHT thing.
We do the RIGHT thing.™

SATCO is your single source solution for all of your lighting needs. From emerging LED technologies to decorative fixtures and lighting components, we carry products for nearly every industry and application. As a turnkey lighting operation, SATCO brings efficiency, value and an ease of doing business to our customers.

Independent and privately owned for over 50 years, SATCO continues to grow because of our traditional values: trust, quality, loyalty and hard work. Agile in practice, unwavering in customer focus...

...we deliver on product, promise & partnership.



50+ YEARS IN
BUSINESS

100% INDEPENDENT
PRIVATELY OWNED

15,000 +
PRODUCTS

2 MILLION SQ. FT
OF INVENTORY

6 WAREHOUSE
LOCATIONS

Satco has two lines of product to help you meet California's Building and Appliance codes:

Building Code (Title 24): The full line of Joint Appendix 8 (JA8) lamps are certified to the Title 24 2016 building code. These products will help you comply with the newest California residential building codes.

Appliance Code (Title 20): Lamps and Retrofit Kits are considered appliances in the California Code, and Title 20 is one of the most stringent in the country. Satco has a full line of products that are compliant with this code.

As an ongoing effort on behalf of Satco Products, Inc. to remain dedicated to the improvement of our products, we reserve the right to change specifications. The information contained in this specification guide is subject to change without notice. We cannot be responsible for typographical errors.

Table of Contents

Starfish™ (Smart Lighting)	6-11
LED Filament (A-Type)	12-16
LED Filament (Decorative).....	17-25
LED Filament (Specialty/Carded)	26-37
Indicator and sign bulbs.....	38-39
A-type and Deco Traditional heat sink	40-55
LED A-Type High Lumen.....	56-59
Specialty lamps.....	60-67
R20, BR30, BR40	68-71
PAR20, PAR30, PAR38.....	72-83
AR111 and MR	84-91
T3 and T4 replacements	92-93
Downlight Retrofits	94-101
Hi-PRO lamps (HID replacements).....	102-121
Pin Based CFL replacements.....	122-129
Linear T8 and T5 replacements (Types A,B,C).....	130-153
Circline T9.....	154
Emergency Drivers (for Type B lamps)	155
Linear T8 Sign Lamps.....	156
Circular LED Module Retrofit Kits.....	157
Index	159



LED FILAMENT & DECORATIVE LAMPS

The popularity of the exposed bulb in lighting design continues the evolution in filament lamp design. From new shapes in the filament and structure to amber toned, silver domed and frosted lamps.

Advanced technologies improve energy efficiency, enhance light quality, expand damp and wet location options and offer new lamps in a variety of bases.

Plus, new packaging alternatives are available for your convenience.



GENERAL SERVICE LAMPS

SATCO's vast offering of LED lamps continues to grow with technologies that help retrofit fixtures in nearly every setting.

Our lamps provide significant energy efficiency while preserving the look and feel traditional bulbs.

We are committed to our customers at every level of business, from retail display packaging, single bulb packs, to contractor's packs for convenience.

All with the quality and assurance you can be confident in.



BR & REFLECTOR LAMPS

SATCO's 2022 offering of LED BR & PAR lamps includes improved efficiency, higher CRI and greater values—all in a significantly broader range! From our expanded line of GEN2 PAR Silver PARs to our new generation of high lumen and range voltage industrial and commercial PAR lamps; to new choices in MR11 and MR16 lamps, the solutions just keep growing!



We do the LIGHT thing. We do the RIGHT thing.™



DOWNLIGHT RETROFITS

SATCO's LED vast line of recessed downlight retrofits offers options in various aesthetics, improved efficiency, and easy installation.

The new generations include additional sizes, finishes and features including gimbals and CCT selectable options.

Downlight retrofits remain one of SATCO's most popular categories of lighting for their value and convenience.



HI-PRO HID REPLACEMENTS

Advancements in our commercial and industrial line of High Lumen Professional Grade lamps continue. From quality of light including higher efficiency to design improvements featuring lighter body weight, advanced heat dissipation and increased internal surge protection—they just keep getting better.

Plus, many of SATCO's lamps offer add-on sensors and smart options. Large scale lighting projects just got easier!



CFL & LINEAR FLUORESCENT REPLACEMENT

SATCO's CFL and linear replacement options continue to focus on safety, light quality and the ease of installation when it comes to replacing traditional CFL and linear bulbs.

SATCO's broad line of CFL and linear replacement options for traditional fixture retrofits provide solutions to help bridge your customers' needs into tomorrow.



STARFISH SMART LED LIGHTING AND CONTROL



Welcome to STARFISH™

The simple, scalable, smart lighting solution brought to you by SATCO®, America's lighting resource for over 50 years.

STARFISH™ smart lighting connects life and home together helping enhance convenience, security, atmosphere and wellness.

Through Wi-Fi, STARFISH™ synchronizes your life and your home using mobile and voice activated devices. It's easy and convenient; no hub required.

Features:

- Color changeable
- Tunable white, 80 or 90 CRI, 2700K-5000K
- Dimmable with Starfish App
- Scalable
- Wi-fi enabled
- No hub required



connection

security

atmosphere





convenience

wellness

WI-FI LED RGB & TUNABLE WHITE BULBS



LED Color Changing and Tunable White bulbs replace standard medium base lamps with smart technology adding dynamic color changes and toning whites from warm-to-cool light.

-  RGB Color+
-  Tunable White, 80 or 90 CRI 2700-5000K*
-  Damp or wet location
-  Dimmable, with app



S11252+, S11253+, S11254+, S11275+



S11250*



S11274*



S11251*



S11255+, S11256+, S11257+, S11276+



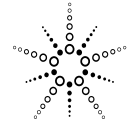
S11258+, S11277+



S11271+, S11278+








Item	Description	W	V	Bulb Type	Base	Lm	CRI	MOD (in.)	MOL (in.)	Life (hrs.)	UPC	Pack
Standard A19 Color Changeable & Tunable White												
S11252	9.5A19/LED/RGB/TW/SF	9.5	120	A19	E26	800	80	2.36	4.57	25K	045923112522	1/24
S11253	9.5A19/LED/RGB/TW/SF/2PK	9.5	120	A19	E26	800	80	2.36	4.57	25K	045923112539	2/24
S11254▲	10A19/LED/RGB/TW/T20/SF	10	120	A19	E26	800	90	2.36	4.57	15K	045923112546	1/24
S11275▲	10A19/LED/RGB/TW/T20/SF/2PK	10	120	A19	E26	800	90	2.36	4.57	15K	045923112751	2/24
LED Filament Tunable White												
S11250	5A19/LED/TW/CL/SF	5	120	A19	E26	450	80	2.36	4.33	15K	045923112508	1/24
S11274▲	7.5A19/LED/TW/CL/T20/SF	7.5	60	A19	E26	800	90	2.36	4.33	15K	045923112744	12/24
S11251	4.5G25/LED/TW/CL/SF	4.5	120	G25	E26	450	80	3.15	4.45	15K	045923112515	1/24
Directional Reflectors Color Changeable & Tunable White												
S11255	9.5BR30/LED/RGB/TW/SF	9.5	120	BR30	E26	800	80	3.70	5.12	25K	045923112553	1/12
S11256	9.5BR30/LED/RGB/TW/SF/2PK	9.5	120	BR30	E26	800	80	3.70	5.12	25K	045923112560	2/12
S11257▲	9.5BR30/LED/RGB/TW/T20/SF	9.5	120	BR30	E26	760	90	3.70	5.12	25K	045923112577	1/12
S11276▲	9.5BR30/LED/RGB/TW/T20/SF/2PK	9.5	120	BR30	E26	760	90	3.70	5.12	25K	045923112768	2/12
S11258	15PAR38/LED/RGB/TW/SF	15	120	PAR38	E26	1200	80	4.72	5.00	25K	045923112584	1/12
S11277▲	15PAR38/LED/RGB/TW/T20/SF	15	120	PAR38	E26	1200	90	4.72	5.00	25K	045923112775	1/12
S11271	5.5MR16/GU10/RGB/TW/SF	5.5	120	MR16	GU10	400	80	2.20	1.97	25K	045923112713	1/48
S11278▲	5.5MR16/GU10/RGB/TW/T20/SF	5.5	120	MR16	GU10	385	90	2.20	1.97	25K	045923112782	1/48



STARFISH™

WI-FI LED TUNABLE WHITE DOWNLIGHTS

LED Tunable White Downlights are a practical solution for converting existing recessed lighting into energy efficient smart lighting that is dimmable and adjusts from warm-to-cool settings with the STARFISH™ app.

-  RGB Color+
-  Tunable White, 80 and 90 CRI 2700-5000K*
-  Wet location
-  Dimmable, with app
-  Connector or Adapter



S11279+



S11280+



S11259*



S11260*

E26 Adapter Included



S11261*








S11262*



Item	Description	W	V	Type	Base	Lm	CRI	Diameter (in.)	Height (in.)	Life (hrs.)	UPC	Pack
S11259	8.7W/LED/RDL/4/TW/T20/JA8/SF	8.7	120	Retrofit	E26 Adapter	700	90	5.12	2.80	25K	045923112591	1/6
S11260	10W/LED/RDL/5-6/TW/T20/JA8/SF	10	120	Retrofit	E26 Adapter	800	90	7.36	2.89	25K	045923112607	1/6
S11279	10WLED/DW/4"/RGB/TW/RD/T24/SF	10	120	Retrofit	Remote Driver	650	90	5.31	1.50	25K	045923112799	1/6
S11280	12WLED/DW/6"/RGB/TW/RD/T24/SF	12	120	Retrofit	Remote Driver	800	90	7.20	1.50	25K	045923112805	1/6
S11261	10WLED/DW/4"/TW/RD/SF	10	120	EdgeLit	Remote Driver	650	80	5.31	1.50	25K	045923112614	1/6
S11262	12WLED/DW/6"/TW/RD/SF	12	120	EdgeLit	Remote Driver	850	80	7.20	1.50	25K	045923112621	1/6

WI-FI LED COLOR CHANGING & TUNABLE WHITE TAPE LIGHT

Color changing and tunable white indoor and outdoor tape lights are dimmable with thousands of color and warm-to-cool white settings, damp location certified and offer an ever-changing array of versatility.

-  RGB Color+
-  Tunable White, 80 CRI
3000-6500K
-  Wet location, outdoor
-  Damp location, Indoor
-  Dimmable, with app



S11263+, S1264+, S11265+



Plug & In-Line
Controller Included



Item	Description	W	V	Type	CRI	Length (Ft.)	UPC	Pack
S11263	20W/LED/STRIP/IP20/SF/6FT	20	120	Indoor Tape	80	6'	045923112638	1/4
S11264	8W/LED/STRIP/IP20/SF/3FT-EXT	8	120	Indoor Tape Ext.*	80	3'	045923112645	1/48
S11265	28W/LED/STRIP/IP65/SF/16FT	28	120	Outdoor Tape	80	16	045923112652	1/4

»Up to 8 extensions can be used with S11263 6' indoor tape



WI-FI 24' LED RGB & WARM WHITE 10-LIGHT OUTDOOR STRING LIGHT

Dimmable, long lasting and wet location certified, STARFISH™ plug-in string lights are portable and can be used indoors or out.

Features:

- | Durable black wire
- | Connect up to 3 sets




-  RGB Color+
-  Warm White, 80 CRI 2700K
-  Wet location
-  Dimmable, with app



Item	Description	W	V	Type	CRI	Length (Ft.)	Width (In.)	Height (In.)	UPC	Pack
S11272	10W/LED/STRING/RGBW/SF	10	120	String Lights	80	24	1.77	7.48	045923112720	1 Set Box/4
S11273	1S14/LED/RGBW/12V/SF/2PK	1	12	Replacement Bulb	80	—	1.77	3.46	045923112737	2 Pk. Card/48



STARFISH™ WI-FI SMART SWITCHES & OUTLETS

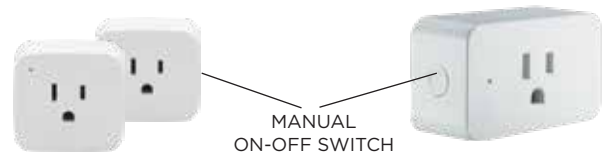
Enable smart on-off or dimming control throughout a circuit utilizing STARFISH™ Wall and Dimmer Switches and Outlets.

-  Dry location
-  Dimmer Only
-  Direct Wire, Neutral Wire required






Enable smart ON-OFF of small appliances with STARFISH™ plug-in outlets.

-  Dry location
-  Plug-in



The rectangular Wi-Fi DIMMER outlet allows for ON-OFF and dimming operation of lighting to a maximum of 300W of incandescent or 150W LED loads.

-  Dry location
-  Dimmable, with app
-  Plug-in



Item	Description	W	V	Type	Amps	Length (In.)	Width (In.)	Height (In.)	UPC	Pack
S11267	SF/ON-OFF/WALL/WHITE	720	120	ON-OFF Switch	—	2.951	2.17	5.12	045923112676	1/12
S11268	SF/DIM/WALL/WHITE	720	120	Dimmer	—	2.95	2.17	5.12	045923112683	1/12
S11266	15A/SMART-PLUG/SF	1875	125	ON-OFF Outlet	15	1.71	2.76	4.53	045923112669	1/12
S11269	10A/SMART-PLUG/SF/2PK (MINI SQ)	1250	125	Mini Square Plug-In Outlet	10	1.99	1.99	1.99	045923112690	2/12
S11270	15A/SMART-PLUG/SF/DIM (RECTANG)	300	125	ON-OFF DIMMER Outlet	—	2.87	1.69	1.97	045923112706	1/12

90 CRI LED A15, A19 FILAMENT LAMPS



Features:

- 90 CRI "A" lamps
- 40-100w replacements
- High lumens & efficiency
- Clear and soft white options
- 4 CCT options
- Approves for enclosed fixtures ^
- Dimmable
- Long life

Applications:

- Residential
- Hospitality
- Commercial
- Retail
- Display



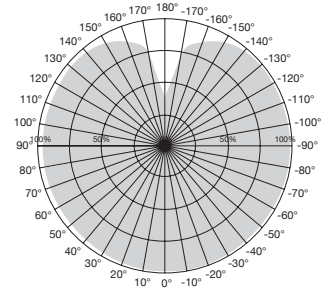
90 CRI LED A15 FILAMENT LAMPS 40W, 60W REPLACEMENTS



A15 SW



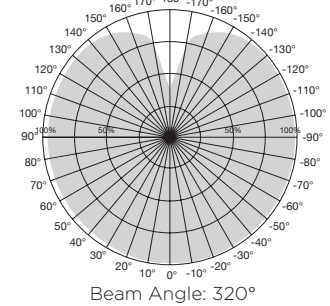
A15 CL



Item	Description	W	V	Bulb Shape	Base	Finish	CCT	Lm	CRI	MOL (in.)	MOD (in.)	Life (hrs.)	UPC	Pack
40W Replacement														
S12400	5A15/CL/LED/E26/927/120V	5	120	A15	E26	CL	2700K	450	90	3.39	1.89	15K	045923124006	24/6
S12401	5A15/CL/LED/E26/930/120V	5	120	A15	E26	CL	3000K	450	90	3.39	1.89	15K	045923124013	24/6
S12402	5A15/CL/LED/E26/940/120V	5	120	A15	E26	CL	4000K	450	90	3.39	1.89	15K	045923124020	24/6
S12403	5A15/CL/LED/E26/950/120V	5	120	A15	E26	CL	5000K	450	90	3.39	1.89	15K	045923124037	24/6
S12404	5A15/SW/LED/E26/927/120V	5	120	A15	E26	SW	2700K	450	90	3.39	1.89	15K	045923124044	24/6
S12405	5A15/SW/LED/E26/930/120V	5	120	A15	E26	SW	3000K	450	90	3.39	1.89	15K	045923124051	24/6
60W Replacement														
S12406	8.2A15/CL/LED/E26/930/120V	8.2	120	A15	E26	CL	3000K	800	90	3.39	1.89	15K	045923124068	24/6
S12407	8.2A15/SW/LED/E26/930/120V	8.2	120	A15	E26	SW	3000K	800	90	3.39	1.89	15K	045923124075	24/6

^ See warranty for details at www.satco.com

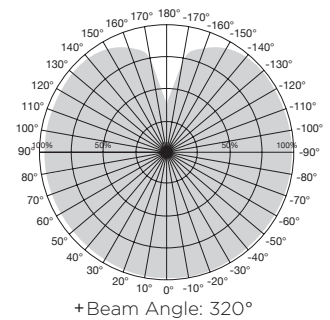
90 CRI LED A19 FILAMENT LAMPS 40W, 60W REPLACEMENTS



Item	Description	W	V	Bulb Shape	Base	Finish	CCT	Lm	CRI	MOL (in.)	MOD (in.)	Life (hrs.)	UPC	Pack
40W Replacement														
S12408	5A19/CL/LED/E26/927/120V	5	120	A19	E26	CL	2700K	450	90	4.02	2.36	15K	045923124082	24/6
S12409	5A19/CL/LED/E26/930/120V	5	120	A19	E26	CL	3000K	450	90	4.02	2.36	15K	045923124099	24/6
S12410	5A19/CL/LED/E26/940/120V	5	120	A19	E26	CL	4000K	450	90	4.02	2.36	15K	045923124105	24/6
S12411	5A19/CL/LED/E26/950/120V	5	120	A19	E26	CL	5000K	450	90	4.02	2.36	15K	045923124112	24/6
S12412	5A19/SW/LED/E26/927/120V	5	120	A19	E26	SW	2700K	450	90	4.02	2.36	15K	045923124129	24/6
S12413	5A19/SW/LED/E26/930/120V	5	120	A19	E26	SW	3000K	450	90	4.02	2.36	15K	045923124136	24/6

^ See warranty for details at www.satco.com

Product sheet SA2690



Item	Description	W	V	Bulb Shape	Base	Finish	CCT	Lm	CRI	MOL (in.)	MOD (in.)	Life (hrs.)	UPC	Pack
60W Replacement														
S39879	† 8A19/CL/LED/E26/927/120V	8	120	A19	E26	CL	2700K	800	90	4.13	2.38	15K	045923398797	24/6
S12414	8A19/CL/LED/E26/927/120V	8	120	A19	E26	CL	2700K	800	90	4.02	2.36	15K	045923124143	24/6
S12415	8A19/CL/LED/E26/930/120V	8	120	A19	E26	CL	3000K	800	90	4.02	2.36	15K	045923124150	24/6
S12416	8A19/CL/LED/E26/935/120V	8	120	A19	E26	CL	3500K	800	90	4.02	2.36	15K	045923124167	24/6
S12417	8A19/CL/LED/E26/940/120V	8	120	A19	E26	CL	4000K	800	90	4.02	2.36	15K	045923124174	24/6
S12418	8A19/CL/LED/E26/950/120V	8	120	A19	E26	CL	5000K	800	90	4.02	2.36	15K	045923124181	24/6
S12419	8.2A19/SW/LED/E26/927/120V	8.2	120	A19	E26	SW	2700K	800	90	4.02	2.36	15K	045923124198	24/6
S12420	8.2A19/SW/LED/E26/930/120V	8.2	120	A19	E26	SW	3000K	800	90	4.02	2.36	15K	045923124204	24/6
S12421+	6A19/SLV/LED/E26/927/120V	6	120	A19	E26	SLVR CRWN	2700K	650	90	4.02	2.36	15K	045923124211	24/6
S11355	8A19/CL/LED/E26/930/120V	8	120	A19	E26	CL	3000K	800	90	4.13	2.38	15K	045923113550	24/6
S11356	8A19/SW/LED/E26/930/120V	8	120	A19	E26	SW	2700K	800	90	4.13	2.38	15K	045923113567	24/6

^ See warranty for details at www.satco.com. +Silver crown are 180° beam angle

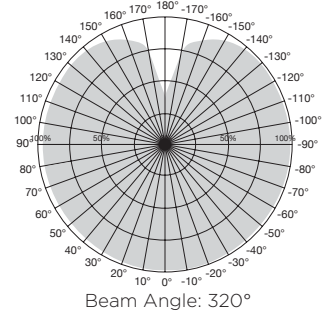
Product sheet SA2690

90 CRI LED A19 FILAMENT LAMPS 75W, 100W REPLACEMENTS



A19 SW

A19 CL



Beam Angle: 320°



Item	Description	W	V	Bulb Shape	Base	Finish	CCT	Lm	CRI	MOL (in.)	MOD (in.)	Life (hrs.)	UPC	Pack	
75W Replacement															
S12422	10.5A19/CL/LED/E26/927/120V	10.5	120	A19	E26	CL	2700K	1100	90	4.02	2.36	15K	045923124228	24/6	
S12423	10.5A19/CL/LED/E26/930/120V	10.5	120	A19	E26	CL	3000K	1100	90	4.02	2.36	15K	045923124235	24/6	
S12424	10.5A19/CL/LED/E26/940/120V	10.5	120	A19	E26	CL	4000K	1100	90	4.02	2.36	15K	045923124242	24/6	
S12425	10.5A19/CL/LED/E26/950/120V	10.5	120	A19	E26	CL	5000K	1100	90	4.02	2.36	15K	045923124259	24/6	
S12426	11A19/SW/LED/E26/927/120V	11	120	A19	E26	SW	2700K	1100	90	4.02	2.36	15K	045923124266	24/6	
S12427	11A19/SW/LED/E26/930/120V	11	120	A19	E26	SW	3000K	1100	90	4.02	2.36	15K	045923124273	24/6	
S12428	11A19/SW/LED/E26/940/120V	11	120	A19	E26	SW	4000K	1100	90	4.02	2.36	15K	045923124280	24/6	
S11357	11A19/CL/LED/E26/927/120V	11	120	A19	E26	CL	2700K	1100	90	4.02	2.36	15K	045923113574	24/6	
S11358	11A19/CL/LED/E26/930/120V	11	120	A19	E26	CL	3000K	1100	90	4.02	2.36	15K	045923113581	24/6	
S11359	11A19/SW/LED/E26/927/120V	11	120	A19	E26	SW	2700K	1100	90	4.02	2.36	15K	045923113598	24/6	

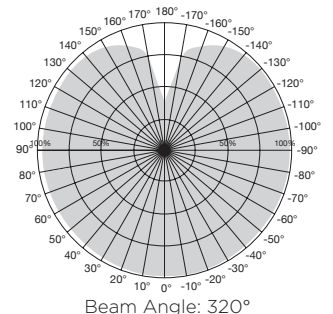
^ See warranty for details at www.satco.com

Product sheet SA2690



A19 SW

A19 CL



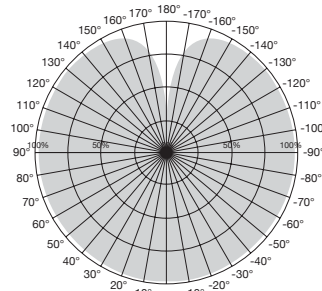
Beam Angle: 320°



Item	Description	W	V	Bulb Shape	Base	Finish	CCT	Lm	CRI	MOL (in.)	MOD (in.)	Life (hrs.)	UPC	Pack	
100W Replacement															
S12429	12.5A19/CL/LED/E26/927/120V	12.5	120	A19	E26	CL	2700K	1500	90	4.41	2.36	15K	045923124297	24/6	
S12430	12.5A19/CL/LED/E26/930/120V	12.5	120	A19	E26	CL	3000K	1500	90	4.41	2.36	15K	045923124303	24/6	
S12431	12.5A19/CL/LED/E26/940/120V	12.5	120	A19	E26	CL	4000K	1500	90	4.41	2.36	15K	045923124310	24/6	
S12432	12.5A19/CL/LED/E26/950/120V	12.5	120	A19	E26	CL	5000K	1500	90	4.41	2.36	15K	045923124327	24/6	
S12433	13.5A19/SW/LED/E26/927/120V	13.5	120	A19	E26	SW	2700K	1500	90	4.41	2.36	15K	045923124334	24/6	
S12434	13.5A19/SW/LED/E26/930/120V	13.5	120	A19	E26	SW	3000K	1500	90	4.41	2.36	15K	045923124341	24/6	
S12435	13.5A19/SW/LED/E26/940/120V	13.5	120	A19	E26	SW	4000K	1500	90	4.41	2.36	15K	045923124358	24/6	
S11360	14A21/CL/LED/E26/927/120V	14	120	A21	E26	CL	2700K	1600	90	5.00	2.76	15K	045923113604	24/6	
S11361	14A21/CL/LED/E26/930/120V	14	120	A21	E26	CL	3000K	1600	90	5.00	2.76	15K	045923113611	24/6	
S11362	14A21/SW/LED/E26/927/120V	14	120	A21	E26	SW	2700K	1600	90	5.00	2.76	15K	045923113628	24/6	

Product sheet SA2690

LED FILAMENT LAMPS MULTI-PACKS



Beam Angle: 360°



Item	Description	W	V	Bulb Shape	Base	Finish	CCT	Lm	CRI	MOL (in.)	MOD (in.)	Life (hrs.)	UPC	Pack
40 Watt Replacement														
S21712*‡	5A19/CL/LED/E26/27K/120V/4PK	5	120	A19	E26	CL	2700K	450	80	4.00	2.38	15K	045923217128	12-4pks
60 Watt Replacement														
S21713*‡	7.5A19/CL/LED/E26/27K/120V/4PK	7.5	120	A19	E26	CL	2700K	800	80	4.00	2.38	15K	045923217135	12-4pks
S21714*‡	7.5A19/SW/LED/E26/27K/120V/4PK	7.5	120	A19	E26	FR	2700K	800	80	4.00	2.38	15K	045923217142	12-4pks
S21734*‡	7.5A19/CL/LED/E26/3K/120V/4PK	7.5	120	A19	E26	CL	3000K	800	80	4.06	2.38	15K	045923217340	12-4pks
75 Watt Replacement														
S11503§	9A19/FR/LED/E26/827/120V/4PK	9	120	A19	E26	FR	2700K	1100	80	4.00	2.38	15K	045923115035	12-4pks
S11504§	9A19/FR/LED/E26/830/120V/4PK	9	120	A19	E26	FR	3000K	1100	80	4.00	2.38	15K	045923115042	12-4pks
100 Watt Replacement														
S11513§	12A19/CL/LED/E26/827/120V/4PK	12	120	A19	E26	CL	2700K	1500	80	4.41	2.38	15K	045923115134	12-4pks
S11514§	12A19/CL/LED/E26/830/120V/4PK	12	120	A19	E26	CL	3000K	1500	80	4.41	2.38	15K	045923115141	12-4pks
S11508§	13A19/FR/LED/E26/827/120V/4PK	13	120	A19	E26	FR	2700K	1500	80	4.41	2.38	15K	045923115080	12-4pks
S11509§	13A19/FR/LED/E26/830/120V/4PK	13	120	A19	E26	FR	3000K	1500	80	4.41	2.38	15K	045923115097	12-4pks

^ See warranty for details at www.satco.com

LED FILAMENT LAMPS GLOBES - G16½ 25W, 40W & 60W REPLACEMENTS

Features:

- LED with a traditional incandescent look and feel
- Omni-directional light source
- Dimmable
- Damp location
- Approved for totally enclosed fixtures[^]
- c-UL-us listed
- CEC T20/T24 Available
- ENERGY STAR certified*
- 3 Year warranty



G16½ FR
E26



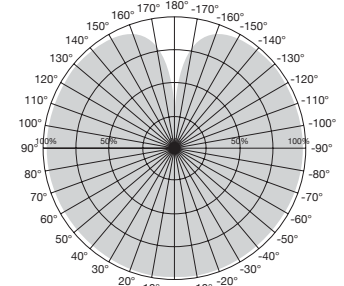
G16½ CL
E26



G16½ WH
E12



G16½ CL
E12



Beam Angle: 360°



Item	Description	W	V	Bulb Shape	Base	Finish	CCT	Lm	CRI	MOL (in.)	MOD (in.)	Life (hrs.)	UPC	Pack
25 Watt Replacement														
S9870	2.5G16.5/LED/CL/27K/120V/E12	2.5	120	G16 1/2	E12	CL	2700K	200	80	3.19	2.06	15K	045923098703	24/6
40 Watt Replacement														
S29871*	4G16.5/LED/CL/27K/120V/E12	4	120	G16 1/2	E12	CL	2700K	350	80	3.13	2.00	15K	045923298714	24/6
60 Watt Replacement														
S29988*	5.5G16.5/LED/CL/27K/120V/E12	5.5	120	G16 1/2	E12	CL	2700K	500	80	3.13	2.00	15K	045923299889	24/6
S12100*	5.5G16.5/LED/CL/3K/120V/E12	5.5	120	G16 1/2	E12	CL	3000K	500	80	3.13	2.00	15K	045923121005	24/6
S12101*	5.5G16.5/LED/SW/3K/120V/E12	5.5	120	G16 1/2	E12	FR	3000K	500	80	3.13	2.00	15K	045923121012	24/6
S12102*	5.5G16.5/LED/CL/27K/120V/E26	5.5	120	G16 1/2	E26	CL	2700K	500	80	3.13	2.00	15K	045923121029	24/6
S12103*	5.5G16.5/LED/CL/3K/120V/E26	5.5	120	G16 1/2	E26	CL	3000K	500	80	3.13	2.00	15K	045923121036	24/6
S12104*	5.5G16.5/LED/CL/4K/120V/E26	5.5	120	G16 1/2	E26	CL	4000K	500	80	3.13	2.00	15K	045923121043	24/6
S12105*	5.5G16.5/LED/SW/3K/120V/E26	5.5	120	G16 1/2	E26	FR	3000K	500	80	3.13	2.00	15K	045923121050	24/6
90 CRI—CEC/T20														
40 Watt Replacement														
S8553*	4G16.5/LED/CL/27K/120V/E12	4	120	G16 1/2	E12	CL	2700K	350	90	3.25	2.00	15K	045923085536	24/6
S11364*	4.5G16.5/LED/SW/927/120V/E12	4.5	120	G16 1/2	E12	SW	2700K	360	90	3.25	1.97	15K	045923113642	24/6
S11363*	4.5G16.5/LED/CL/930/120V/E12	4.5	120	G16 1/2	E12	CL	3000K	360	90	3.25	1.97	15K	045923113635	24/6

[^] See warranty for details at www.satco.com

Product sheet SA1980

LED FILAMENT LAMPS GLOBES - G25 40W & 60W REPLACEMENTS

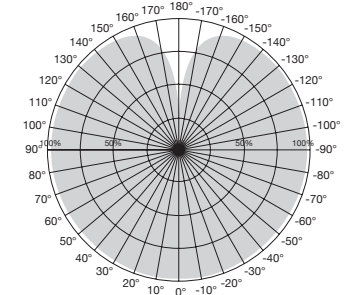


G25 Clear

Clear G25

White G25

G25



360° Illumination+



Item	Description	W	V	Bulb Shape	Base	Finish	CCT	Lm	CRI	MOL (in.)	MOD (in.)	Life (hrs.)	UPC	Pack
40 Watt Replacement														
S12107	4G25/SW/LED/E26/3K/120V	4	120	G25	E26	FR	3000K	350	80	4.50	3.13	15K	045923121074	24/6
S29563*	4.5G25/CL/LED/E26/27K/120V	4.5	120	G25	E26	CL	2700K	450	80	4.38	3.13	15K	045923295638	24/6
S9893*	4.5G25/CL/LED/E26/30K/120V	4.5	120	G25	E26	CL	3000K	450	80	4.38	3.13	15K	045923098932	24/6
S8849*	4.5G25/CL/LED/E26/40K/120V	4.5	120	G25	E26	CL	4000K	450	80	4.38	3.13	15K	045923088490	24/6
S12106	4.5G25/CL/LED/E26/5K/120V	4.5	120	G25	E26	CL	5000K	450	80	4.50	3.13	15K	045923121067	24/6
S9827*	4.5G25/SW/LED/E26/27K/120V	4.5	120	G25	E26	WH	2700K	420	80	4.38	3.13	15K	045923098277	24/6
S9828+	4.5G25/SLV/LED/E26/27K/120V	4.5	120	G25	E26	SLVR CRWN	2700K	430	80	4.38	3.13	15K	045923098284	24/6
60 Watt Replacement														
S9564	6.5G25/CL/LED/E26/27K/120V	6.5	120	G25	E26	CL	2700K	810	80	4.38	3.13	15K	045923095641	24/6
S12110	6.5G25/CL/LED/E26/3K/120V	6.5	120	G25	E26	CL	3000K	810	80	4.50	3.13	15K	045923121104	24/6
S12108	6.5G25/SW/LED/E26/27K/120V	6.5	120	G25	E26	WH	2700K	650	80	4.50	3.13	15K	045923121081	24/6
90 CRI—CEC/T20														
S29878*■	5.5G25/LED/927/CL/120V	5.5	120	G25	E26	CL	2700K	500	90	4.00	3.13	15K	045923298783	24/6
S11365*■	5.5G25/LED/930/CL/120V	5.5	120	G25	E26	CL	3000K	500	90	4.50	3.15	15K	045923113659	24/6
S11366*■	5.5G25/LED/930/SW/120V	5.5	120	G25	E26	WH	3000K	500	90	4.50	3.15	15K	045923113666	24/6
S12109	6.5G25/SW/LED/E26/3K/120V	6.5	120	G25	E26	WH	3000K	650	80	4.50	3.13	15K	045923121098	24/6
Multi-Pks														
40 Watt Replacement														
S21737*	4.5G25/LED/CL/27K/120V/2PK	4.5	120	G25	E26	CL	2700K	350	80	4.25	3.13	15K	045923217371	12-2pks
S21738*	4.5G25/LED/WH/27K/120V/2PK	4.5	120	G25	E26	WH	2700K	350	80	4.25	3.13	15K	045923217388	12-2pks
60 Watt Replacement														
S21739*	5.5G25/LED/CL/27K/120V/2PK	5.5	120	G25	E26	CL	2700K	500	80	4.75	3.13	15K	045923217395	12-2pks
S21740*	5.5G25/LED/WH/27K/120V/2PK	5.5	120	G25	E26	WH	2700K	500	80	4.75	3.13	15K	045923217401	12-2pks

*See warranty for details at www.satco.com. +Silver crown are 180° beam angle

Product sheet SA1980

LED FILAMENT LAMPS GLOBES - G40 40W & 60W REPLACEMENTS

Features:

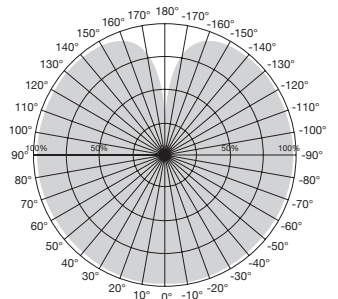
- LED with a traditional incandescent look and feel
- Omni-directional light source
- Dimmable
- Damp location
- Approved for totally enclosed fixtures ^
- c-UL-us listed
- CEC T20/T24 Available
- ENERGY STAR certified*
- 3 Year warranty



G40



G40



360° Illumination



Item	Description	W	V	Bulb Shape	Base	Finish	CCT	Lm	CRI	MOL (in.)	MOD (in.)	Life (hrs.)	UPC	Pack
40 Watt Replacement														
S9565	4.5G40/CL/LED/E26/27K/120V	4.5	120	G40	E26	CL	2700K	450	80	6.50	4.88	15K	045923095658	12/6
60 Watt Replacement														
S9566	6.5G40/CL/LED/E26/27K/120V	6.5	120	G40	E26	CL	2700K	810	80	6.50	4.88	15K	045923095665	12/6
S12111	6.5G40/CL/LED/E26/3K/120V	6.5	120	G40	E26	CL	3000K	810	80	6.50	4.91	15K	045923121111	12/6
S12112	6.5G40/SW/LED/E26/27K/120V	6.5	120	G40	E26	WH	2700K	650	80	6.50	4.91	15K	045923121128	12/6
S12113	6.5G40/SW/LED/E26/3K/120V	6.5	120	G40	E26	WH	3000K	650	80	6.50	4.91	15K	045923121135	12/6
90 CRI—CEC/T20														
S11367*■	8G40/LED/930/CL/120V	8	120	G40	E26	CL	3000K	800	90	6.90	4.92	15K	045923113673	12/6
S11368*■	8G40/LED/930/SW/120V	8	120	G40	E26	WH	3000K	800	90	6.90	4.92	15K	045923113680	12/6

^ See warranty for details at www.satco.com

Product sheet SA1980

LED FILAMENT LAMPS DECORATIVE - CANDELABRA BASE/ TORPEDO SHAPE



Features:

- High lumen decorative lamps
- Filament style LED with a traditional incandescent look and feel
- 3 Year warranty

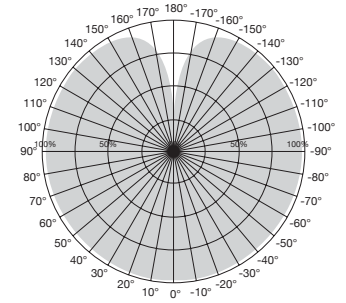




B11 FR



C11/B11 CL



360° Illumination



Item	Description	W	V	Bulb Shape	Base	Finish	CCT	Lm	CRI	MOL (in.)	MOD (in.)	Life (hrs.)	UPC	Pack
25 Watt Replacement														
S29920*	2.5W CTC/LED/27K/CL/120V	2.5	120	B11	E12	CL	2700K	200	80	3.88	1.38	15K	045923299209	24/6
40 Watt Replacement														
S9868*	3.5CTF/LED/FR/27K/120V	3.5	120	B11	E12	FR	2700K	350	80	4.31	1.38	15K	045923098680	24/6
S29922*	4W CTC/LED/27K/CL/120V	4	120	B11	E12	CL	2700K	350	80	3.88	1.38	15K	045923299223	24/6
S29890*	4W CTC/LED/30K/CL/120V	4	120	B11	E12	CL	3000K	350	80	3.88	1.38	15K	045923298905	24/6
S8839*	4W CTC/LED/40K/CL/120V	4	120	B11	E12	CL	4000K	350	80	3.88	1.38	15K	045923088391	24/6
S29866*	4W CTC/LED/50K/CL/120V	4	120	B11	E12	CL	5000K	350	80	3.88	1.38	15K	045923298660	24/6
40 Watt Replacement - E14 Base														
S12115	4.5W/TORP/EURO-E14/CL/830/120V	4.5	120	B11	E14	CL	3000K	350	80	3.88	1.38	15K	045923211159	24/6
S12116	4.5W/TORP/EURO-E14/CL/840/120V	4.5	120	B11	E14	CL	4000K	350	80	3.88	1.38	15K	045923211166	24/6
S12117	4.5W/TORP/EURO-E14/FR/830/120V	4.5	120	B11	E14	FR	3000K	350	80	3.88	1.38	15K	045923211173	24/6
S12118	4.5W/TORP/EURO-E14/FR/840/120V	4.5	120	B11	E14	FR	4000K	350	80	3.88	1.38	15K	045923211180	24/6
40 Watt Replacement - 90 CRI—CEC/T20														
S29877*	4.5WCTC/LED/927/120V/E12	4.5	120	B11	E12	CL	2700K	350	90	3.75	1.25	15K	045923298776	24/6
S11369*	4.5CTF/LED/927/120V/E12	4.5	120	B11	E12	FR	2700K	360	90	3.70	1.38	15K	045923113697	24/6
S11370*	4.5CTC/LED/930/120V/E12	4.5	120	B11	E12	CL	3000K	360	90	3.70	1.38	15K	045923113703	24/6
60 Watt Replacement														
S9960*	5.5W CTC/LED/27K/CL/120V	5.5	120	B11	E12	CL	2700K	500	80	3.88	1.38	15K	045923099601	24/6
S9961*	5.5W CTC/LED/30K/CL/120V	5.5	120	B11	E12	CL	3000K	500	80	3.88	1.38	15K	045923099618	24/6
S9964*	5.5W ETC/LED/27K/CL/120V	5.5	120	B11	E26	CL	2700K	500	80	3.50	1.38	15K	045923099649	24/6
60 Watt Replacement - 90 CRI—CEC/T20														
S11371*	5.5CTC/LED/927/120V/E12	5.5	120	B11	E12	CL	2700K	500	90	3.70	1.38	15K	045923113710	24/6
S11373*	5.5CTF/LED/927/120V/E12	5.5	120	B11	E12	FR	2700K	500	90	3.70	1.38	15K	045923113734	24/6
S11372*	5.5CTC/LED/930/120V/E12	5.5	120	C11	E12	CL	3000K	500	90	3.70	1.38	15K	045923113727	24/6
75 Watt Replacement - 90 CRI—CEC/T20														
S11383▲	8W/CTC/LED/927/120V/E12	8	120	C11	E12	CL	2700K	760	90	3.86	1.38	15K	045923113833	24/6
S11384▲	8W/CTF/LED/927/120V/E12	8	120	C11	E12	FR	2700K	760	90	3.86	1.38	15K	045923113840	24/6
S11385▲	8W/CTC/LED/930/120V/E12	8	120	C11	E12	CL	3000K	760	90	3.86	1.38	15K	045923113857	24/6
40 Watt Replacement - Multi-Pks														
S21708*	4.5W CTC/LED/27K/CL/120V/3PK	4.5	120	B11	E12	CL	2700K	350	80	3.88	1.38	15K	045923217081	12-3pks
S21729*	4.5W CTC/LED/3K/CL/120V/3PK	4.5	120	B11	E12	CL	3000K	350	80	3.88	1.38	15K	045923217296	12-3pks

See www.satco.com for dimmer compatibility. ▲ Also T20 compliant. ^ See warranty for details at www.satco.com

Product sheet SA2690 SA2803 SA2733

LED FILAMENT LAMPS DECORATIVE - MEDIUM BASE/TORPEDO



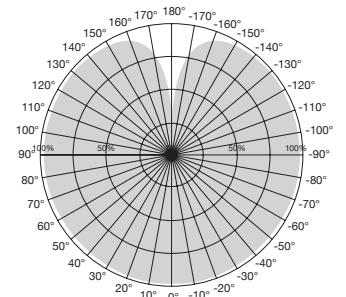
Features:

- LED with a traditional incandescent look and feel
- Omni-directional light source
- Dimmable
- Damp location
- Approved for totally enclosed fixtures ^
- c-UL-us listed
- CEC T20/T24 Available
- ENERGY STAR certified
- 3 Year warranty





C11/B11



360° Illumination



Item	Description	W	V	Bulb Shape	Base	Finish	CCT	Lm	CRI	MOL (in.)	MOD (in.)	Life (hrs.)	UPC	Pack
25 Watt Replacement														
S9567	2.5W ETC/LED/27K/120V	2.5	120	B11	E26	CL	2700K	250	80	3.50	1.38	15K	045923095672	24/6
40 Watt Replacement														
S9569	4.5W ETC/LED/27K/120V	4.5	120	B11	E26	CL	2700K	470	80	3.50	1.38	15K	045923095696	24/6
60 Watt Replacement														
S9964	5.5W ETC/LED/27K/CL/120V	5.5	120	B11	E26	CL	2700K	500	80	3.50	1.38	15K	045923099649	24/6
90 CRI—CEC/T20														
S8551	4W ETC/LED/27K/CL/120V	4	120	B11	E26	CL	2700K	350	90+	3.50	1.38	15K	045923085512	24/6
S11375	4.3ETF/LED/927/120V/E26	4.3	120	B11	E26	FR	2700K	350	90	3.50	1.38	15K	045923113758	24/6
S11374	4.3ETC/LED/930/120V/E26	4.3	120	B11	E26	CL	3000K	350	90	3.50	1.38	15K	045923113741	24/6
Multi-Pks														
S21709	4.5W ETC/LED/27K/CL/120V/3PK	4.5	120	B11	E26	CL	2700K	350	80	3.88	1.38	15K	045923217098	12-3pks

See www.satco.com for dimmer compatibility.
 ^ See warranty for details at www.satco.com

Product sheet SA1980

LED FILAMENT LAMPS DECORATIVE-FLAME TIP



Features:

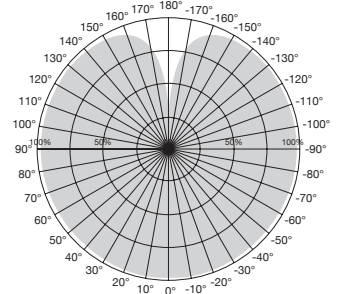
- LED with a traditional incandescent look and feel
- Omni-directional light source
- Dimmable
- Damp location
- Approved for totally enclosed fixtures ^
- c-UL-us listed
- CEC T20/T24 Available
- ENERGY STAR certified
- 3 Year warranty



LED FILAMENT LAMPS DECORATIVE - CANDELABRA BASE FLAME TIP



CA11 E12



360° Illumination



Item	Description	W	V	Bulb Shape	Base	Finish	CCT	Lm	CRI	MOL (in.)	MOD (in.)	Life (hrs.)	UPC	Pack
25 Watt Replacement														
S29921*	2.5W CFC/LED/27K/CL/120V	2.5	120	CA11	E12	CL	2700K	200	80	4.69	1.38	15K	045923299216	24/6
40 Watt Replacement														
S9869	3.5CFF/LED/FR/27K/120V	3.5	120	CA11	E12	FR	2700K	350	80	5.00	1.38	15K	045923098697	24/6
S29923*	4W CFC/LED/27K/CL/120V	4	120	CA11	E12	CL	2700K	350	80	4.69	1.38	15K	045923299230	24/6
S29891*	4W CFC/LED/30K/CL/120V	4	120	CA11	E12	CL	3000K	350	80	4.69	1.38	15K	045923298912	24/6
S8840*	4W CFC/LED/40K/CL/120V	4	120	CA11	E12	CL	4000K	350	80	4.69	1.38	15K	045923088407	24/6
S29867*	4W CFC/LED/50K/CL/120V	4	120	CA11	E12	CL	5000K	350	80	4.69	1.38	15K	045923298677	24/6
60 Watt Replacement														
S9962*	5.5W CFC/LED/27K/CL/120V	5.5	120	CA11	E12	CL	2700K	500	80	4.69	1.38	15K	045923099625	24/6
S9963*	5.5W CFC/LED/30K/CL/120V	5.5	120	CA11	E12	CL	3000K	500	80	4.69	1.38	15K	045923099632	24/6
40 Watt Replacement - 90 CRI—CEC/T20														
S8552*	4.5W CFC/LED/27K/CL/120V	4.5	120	CA11	E12	CL	2700K	350	90	4.69	1.38	15K	045923085529	24/6
S11376*	4.5CFC/LED/930/120V/E12	4.5	120	CA11	E12	CL	3000K	360	90	3.90	1.26	15K	045923113765	24/6
S11377*	4.5CFF/LED/930/120V/E12	4.5	120	CA11	E12	FR	3000K	360	90	3.90	1.26	15K	045923113772	24/6

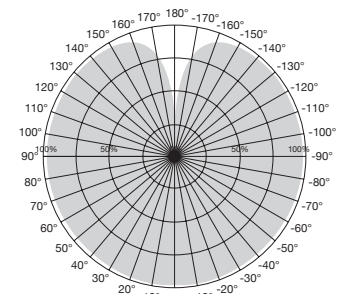
^ See warranty for details at www.satco.com

Product sheet SA1980

LED FILAMENT LAMPS DECORATIVE - MEDIUM BASE FLAME TIP



CA11 E26



360° Illumination



Item	Description	W	V	Bulb Shape	Base	Finish	CCT	Lm	CRI	MOL (in.)	MOD (in.)	Life (hrs.)	UPC	Pack
25 Watt Replacement														
S9571	2.5W EFC/LED/27K/120V	2.5	120	CA11	E26	CL	2700K	250	80	4.31	1.38	15K	045923095719	24/6
60 Watt Replacement														
S9965	5.5W EFC/LED/27K/CL/120V	5.5	120	CA11	E26	CL	2700K	500	80	4.31	1.38	15K	045923099656	24/6

^ See warranty for details at www.satco.com

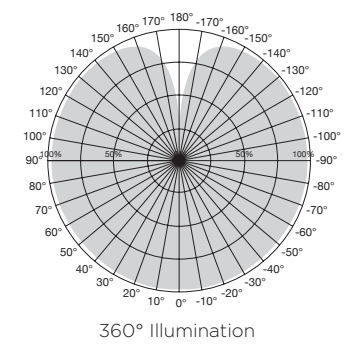
LED FILAMENT LAMPS



Features:

- LED with a traditional incandescent look and feel
- Omni-directional light source
- Dimmable
- Damp location
- Approved for totally enclosed fixtures ^
- c-UL-us listed
- CEC T20/T24 Available
- ENERGY STAR certified
- 3 Year warranty





Efficiency Standards T24 California Title 24 Residential and Non-Residential Compliant
360° ILLUM
DIMMABLE
ENCLOSED FIXTURE
WET LOCATION
DAMP LOCATION
UL LISTED
ENERGY STAR

Item	Description	W	V	Bulb Shape	Base	Finish	CCT	Lm	CRI	MOL (in.)	MOD (in.)	Life (hrs.)	UPC	Pack
S9807§	1WS14/LED/CL/27K/120V/ND	1	120	S14	E26	CL	2700K	100	80	3.31	1.75	15K	045923098079	24/12
S9575	4.5BT15/CL/LED/E26/27K/120V	4.5	120	BT15	E26	CL	2700K	450	80	4.13	1.88	15K	045923095757	24/6
S9576	6.5BT15/CL/LED/E26/27K/120V	6.5	120	BT15	E26	CL	2700K	810	80	4.13	1.88	15K	045923095764	24/6
S9581	6.5ST19/CL/LED/E26/27K/120V	6.5	120	ST19	E26	CL	2700K	810	80	5.50	2.38	15K	045923095818	24/6
S9895	6.5ST19/CL/LED/E26/30K/120V	6.5	120	ST19	E26	CL	3000K	810	80	5.50	2.38	15K	045923098956	24/6
S8851	6.5ST19/CL/LED/E26/40K/120V	6.5	120	ST19	E26	CL	4000K	810	80	5.50	2.38	15K	045923088513	24/6
BT15 90 CRI—CEC/T20														
S8559*■	5.5BT15/LED/E26/27K/120V	5.5	120	BT15	E26	CL	2700K	500	90	3.63	1.88	15K	045923085598	24/6
S11378■	8BT15/LED/927/CL/120V	8	120	BT15	E26	CL	2700K	800	90	4.30	1.81	15K	045923113789	24/6
S11379■	8BT15/LED/927/SW/120V	8	120	BT15	E26	SW	2700K	800	90	4.30	1.81	15K	045923113796	24/6
ST19 90 CRI—CEC/T20														
S8554*	5.5ST19/CL/LED/E26/27K/120V	5.5	120	ST19	E26	CL	2700K	500	90+	5.50	2.38	15K	045923085543	24/6
S11382■	8ST19/LED/930/CL/120V	8	120	ST19	E26	CL	3000K	800	90	4.90	2.28	15K	045923113826	24/6
Tubular LED Filament														
S9872	2.5T6/LED/CL/27K/E12/120V	2.5	120	T6	E12	CL	2700K	200	80	3.19	0.88	15K	045923098727	24/6
S8555*	2.5T6/LED/CL/27K/E12/120V	2.5	120	T6	E12	CL	2700K	180	90	3.19	0.75	15K	045923085550	24/6
S12114	3.5T7/LED/CL/E17/3K/120V	3.5	120	T7	E17	CL	3000K	350	80	2.68	1.00	15K	045923121142	100/10
S8556*	4T10/LED/E26/27K/120V	4	120	T10	E26	CL	2700K	350	90	5.00	1.25	15K	045923085567	24/6
S11381*■	4.3T10/LED/930/CL/120V	4.3	120	T10	E26	CL	3000K	350	90	5.30	1.25	15K	045923113819	24/6
S9580	4.5T10/LED/E26/27K/120V	4.5	120	T10	E26	CL	2700K	430	80	5.00	1.25	15K	045923095801	24/6
S9892	4.5T10/LED/E26/30K/120V	4.5	120	T10	E26	CL	3000K	430	80	5.00	1.25	15K	045923098925	24/6
S8841	4.5T10/LED/E26/40K/120V	4.5	120	T10	E26	CL	4000K	450	80	5.00	1.25	15K	045923088414	24/6
S9582	6.5T9/CL/LED/E26/27K/120V	6.5	120	T9	E26	CL	2700K	800	80	12.00	1.13	15K	045923095825	24/6
S11380■	8T9/LED/927/CL/120V	8	120	T9	E26	CL	2700K	800	90	5.00	1.14	15K	045923113802	24/6

†Non-Dimmable
 ^ See warranty for details at www.satco.com

LED FILAMENT LAMPS VINTAGE STYLE



Features:

- LED with a traditional incandescent look and feel
- Omni-directional light source
- Dimmable
- Damp location
- Approved for totally enclosed fixtures ^
- c-UL-us listed
- CEC T20/T24 Available
- 3 Year warranty





A19



G25



ST19



T6



C11/E12



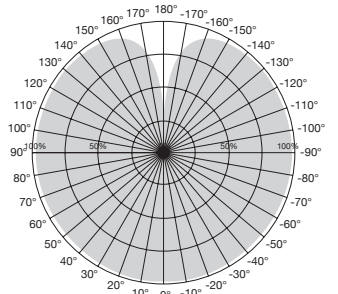
CA11/E12



ST19



T9



Beam Angle: 360°



Item	Description	W	V	Bulb Shape	Base	Finish	CCT	Lm	CRI	MOL (in.)	MOD (in.)	Life (hrs.)	UPC	Pack
ST19														
S9577	2.5ST19/AMB/LED/E26/20K/120V	2.5	120	ST19	E26	TR AMB	2000K	220	80	5.38	2.38	15K	045923095771	24/6
S9578	4.5ST19/AMB/LED/E26/20K/120V	4.5	120	ST19	E26	TR AMB	2000K	380	80	5.38	2.38	15K	045923095788	24/6
S9579	6.5ST19/AMB/LED/E26/20K/120V	6.5	120	ST19	E26	TR AMB	2000K	650	80	5.38	2.38	15K	045923095795	24/6
S9585	4.5ST19/AMB/LED/E26/20K/120V	4.5	120	ST19	E26	TR AMB	2000K	380	80	5.50	2.38	15K	045923095856	24/6
A19														
S9583	4.5A19/AMB/LED/E26/20K/120V	4.5	120	A19	E26	TR AMB	2000K	380	80	4.13	2.38	15K	045923095832	24/6
G25														
S9584	4.5G25/AMB/LED/E26/20K/120V	4.5	120	G25	E26	TR AMB	2000K	380	80	4.38	3.25	15K	045923095849	24/6
T9														
S9588	6.5T9/AMB/LED/E26/20K/120V	6.5	120	T9	E26	TR AMB	2000K	620	80	12.00	1.13	15K	045923095887	24/6
T6														
S9873	2.5T6/LED/AMB/20K/E12/120V	2.5	120	T6	E12	TR AMB	2000K	150	80	3.19	0.75	15K	045923098734	24/6
C11														
S9986	3.5CTA/LED/AMB/20K/120V	3.5	120	C11	E12	TR AMB	2000K	300	80	4.31	1.38	15K	045923099861	24/6
CA11														
S9987	3.5CFA/LED/AMB/20K/120V	3.5	120	CA11	E12	TR AMB	2000K	300	80	5.00	1.13	15K	045923099878	24/6

^ See warranty for details at www.satco.com

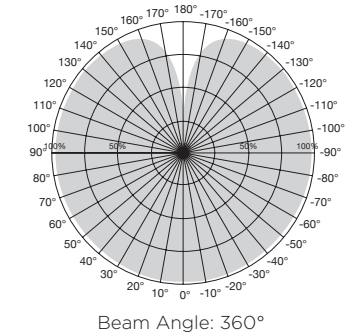
DECORATIVE SPIRAL LED FILAMENT LAMPS



Features:

- LED with a traditional incandescent look and feel
- Omni-directional light source
- Dimmable
- Damp location
- Approved for totally enclosed fixtures ^
- c-UL-us listed
- 3 Year warranty





Item	Description	W	V	Bulb Shape	Base	Finish	CCT	Lm	CRI	MOL (in.)	MOD (in.)	Life (hrs.)	UPC	Pack
ST19														
S9967	4.5ST19/SPIRAL/LED/AMB/120V	4.5	120	ST19	E26	TR AMB	2000K	240	80	5.25	2.38	15K	045923099670	24/6
A19														
S9966	4.5A19/SPIRAL/LED/AMB/120V	4.5	120	A19	E26	TR AMB	2000K	220	80	4.00	2.38	15K	045923099663	24/6
G30														
S9968	4.5G30/SPIRAL/LED/AMB/120V	4.5	120	G30	E26	TR AMB	2000K	240	80	5.44	3.75	15K	045923099687	24/6
G40														
S9969	4.5G40/SPIRAL/LED/AMB/120V	4.5	120	G40	E26	TR AMB	2000K	240	80	6.63	4.94	15K	045923099694	12/6
T9														
S9971	4.5T9/SPIRAL/LED/AMB/120V	4.5	120	T9	E26	TR AMB	2000K	240	80	7.19	1.13	15K	045923099717	24/6
B10														
S9970	2.3ETC/SPIRAL/LED/AMB/120V	2.3	120	B10	E26	TR AMB	2000K	90	80	3.50	1.38	15K	045923099700	24/6

^ See warranty for details at www.satco.com

Product sheet SA1980

LED SPIRAL FILAMENT VINTAGE-STYLE LAMPS IN HID ENVELOPES



Features:

- Uses only 4 watts
- Impressive size & presence
- Omni-directional light source
- Perfect for pendant fixtures & hanging sockets
- Approved for totally enclosed fixtures ^
- Dimmable
- T24, BT38, BT56 & PS52 shapes
- E26 base
- 3 Year warranty





S22432
BT56



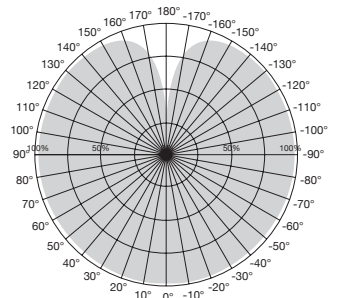
S22430
T24



S22433
PS52



S22431
BT38



Beam Angle: 360°



Item	Description	W	V	Bulb Shape	Base	Finish	CCT	Lm	CRI	MOL (in.)	MOD (in.)	Life (hrs.)	UPC	Pack
S22430	4T24/LED/CL/E26/VINTAGE/120V	4	120	T24	E26	CL	2150K	200	90	13.00	3.00	25K	045923224300	12/1
S22431	4BT38/LED/CL/E26/VINTAGE/120V	4	120	BT38	E26	CL	2150K	200	90	16.50	4.69	25K	045923224317	12/1
S22432	4BT56/LED/CL/E26/VINTAGE/120V	4	120	BT56	E26	CL	2150K	200	90	13.81	7.13	25K	045923224324	6/1
S22433	4PS52/LED/CL/E26/VINTAGE/120V	4	120	PS52	E26	CL	2150K	200	90	11.81	6.31	25K	045923224331	6/1

^ See warranty for details at www.satco.com

Product sheet SA2298

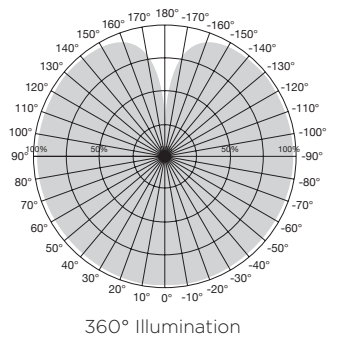
LED FILAMENT LAMPS - CARDED



Features:

- LED with a traditional incandescent look and feel
- Omni-directional light source
- Dimmable
- Damp location
- Approved for totally enclosed fixtures ^
- c-UL-us listed
- ENERGY STAR certified*
- 3 Year warranty





Item	Description	W	V	Bulb Shape	Base	Finish	CCT	Lm	CRI	MOL (in.)	MOD (in.)	Life (hrs.)	UPC	Pack
A15														
S21710	5.5A15/LED/27K/CL/E12/120V/2CD	5.5	120	A15	E12	CL	2700K	450	80	3.63	1.88	15K	045923217104	12/2 cd
S21733*	5A15/LED/WH/27K/E26/120V/2CD	5	120	A15	E26	WH	2700K	450	80	3.63	1.97	15K	045923217333	12/2 cd
S21711*	5A15/LED/27K/CL/E26/120V/2CD	5.5	120	A15	E26	CL	2700K	450	80	3.63	1.88	15K	045923217111	12/2 cd
A19														
S8616*	7A19/CL/LED/E26/27K/ES/120V	7	120	A19	E26	CL	2700K	800	80	4.13	2.38	15K	045923086168	12/1 cd
Decorative - Torpedo Shape - Candelabra Base														
S21700*	2.5W CTC/LED/27K/CL/120V/2CD	2.5	120	B11	E12	CL	2700K	180	80	3.88	1.38	15K	045923217005	12/2 cd
S28613*	4W CTC/LED/27K/CL/120V	4	120	C11	E12	CL	2700K	350	80	3.88	1.38	15K	045923286131	12/1 cd
S21702*	4.5W CTC/LED/27K/CL/120V/2CD	4.5	120	B11	E12	CL	2700K	350	80	3.88	1.38	15K	045923217029	12/2 cd
S21704*	4.5W CTF/LED/27K/FR/120V/2CD	4.5	120	B11	E12	FR	2700K	330	80	3.88	1.38	15K	045923217043	12/2 cd
S21728*	4.5W CTC/LED/5K/CL/120V/2CD	4.5	120	B11	E12	CL	5000K	350	80	3.88	1.38	15K	045923217289	12/2 cd
S21706	5.5W CTC/LED/27K/CL/120V/2CD	5.5	120	B11	E12	CL	2700K	500	80	3.88	1.38	15K	045923217067	12/2 cd
Decorative - Torpedo Shape - Medium Base														
S21701*	2.5W ETC/LED/27K/CL/120V/2CD	2.5	120	B11	E26	CL	2700K	180	80	3.88	1.38	15K	045923217012	12/2 cd
S21703*	4.5W ETC/LED/27K/CL/120V/2CD	4.5	120	B11	E26	CL	2700K	350	80	3.88	1.38	15K	045923217036	12/2 cd
S8609*	4.5W ETC/LED/27K/120V	4.5	120	C11	E26	CL	2700K	450	80	3.50	1.38	15K	045923086090	12/1 cd
S21705*	4.5W ETF/LED/27K/FR/120V/2CD	4.5	120	B11	E26	FR	2700K	330	80	3.88	1.38	15K	045923217050	12/2 cd
S21730*	4.5W ETC/LED/5K/CL/120V/2CD	4.5	120	B11	E26	CL	5000K	350	80	3.88	1.38	15K	045923217302	12/2 cd
S21707*	5.5W ETC/LED/27K/CL/120V/2CD	5.5	120	B11	E26	CL	2700K	500	80	3.88	1.38	15K	045923217074	12/2 cd
Decorative - Flame Tip - Candelabra Base														
S21720*	2.5W CFC/LED/27K/CL/120V/2CD	2.5	120	CA10	E12	CL	2700K	180	80	3.88	1.38	15K	045923217203	12/2 cd
S28614*	4W CFC/LED/27K/CL/120V	4	120	CA11	E12	CL	2700K	350	80	4.69	1.38	15K	045923286148	12/1 cd
S21721*	4.5W CFC/LED/27K/CL/120V/2CD	4.5	120	CA10	E12	CL	2700K	350	80	3.88	1.38	15K	045923217210	12/2 cd
S21732*	4.5W CFF/LED/27K/FR/120V/2CD	4.5	120	CA10	E12	FR	2700K	350	80	3.88	1.38	15K	045923217326	12/2 cd
S21722*	4.5W CFC/LED/5K/CL/120V/2CD	4.5	120	CA10	E12	CL	5000K	350	80	3.88	1.38	15K	045923217227	12/2 cd
S21723*	5.5W CFC/LED/27K/CL/120V/2CD	5.5	120	CA10	E12	CL	2700K	500	80	3.88	1.38	15K	045923217234	12/2 cd
Decorative - Flame Tip - Medium Base														
S21724*	2.5W EFC/LED/27K/CL/120V/2CD	2.5	120	CA10	E26	CL	2700K	180	80	3.88	1.38	15K	045923217241	12/2 cd
S21725*	4.5W EFC/LED/27K/CL/120V/2CD	4.5	120	CA10	E26	CL	2700K	350	80	3.88	1.38	15K	045923217258	12/2 cd
S21731*	4.5W EFF/LED/27K/FR/120V/2CD	4.5	120	CA10	E26	FR	2700K	350	80	3.88	1.38	15K	045923217319	12/2 cd
S21726*	4.5W EFC/LED/5K/CL/120V/2CD	4.5	120	CA10	E26	CL	5000K	350	80	3.88	1.38	15K	045923217265	12/2 cd
S8610*	4.5W EFC/LED/27K/120V	4.5	120	CA11	E26	CL	2700K	450	80	4.31	1.38	15K	045923086106	12/1 cd
S21727*	5.5W EFC/LED/27K/CL/120V/2CD	5.5	120	CA10	E26	CL	2700K	500	80	3.88	1.38	15K	045923217272	12/2 cd
G16														
S21735*	4.5G16.5/LED/C/27/E12/120V/2PK	4.5	120	G16 1/2	E12	CL	2700K	350	80	3.24	2.00	15K	045923217357	12/2 cd
S21736*	5.5G16.5/LED/C/27/E12/120V/2PK	5.5	120	G16 1/2	E12	CL	2700K	500	80	3.24	2.00	15K	045923217364	12/2 cd
ST19														
S8612	4.5ST19/AMB/LED/E26/20K/120V	4.5	120	ST19	E26	TR AMB	2000K	380	80	5.50	2.38	15K	045923086120	12/1 cd
S8611	6.5ST19/CL/LED/E26/27K/120V	6.5	120	ST19	E26	CL	2700K	810	80	5.50	2.38	15K	045923086113	12/1 cd

^ See warranty for details at www.satco.com

SATCO-ESCENT LED LAMPS



Features:

- 2 Watt LED direct replacement for 25 watt incandescent lamps
- 4 Watt LED direct replacement for 40 watt incandescent lamps
- Unique satin-spun white or amber finish
- Dimmable
- Carded versions for peg board merchandising
- LED filament technology
- Approved for totally enclosed fixtures ^
- Long life—15,000 hours
- 3 Year warranty





S23403,
S22703

S11300, S11302,
S11304, S11306

S23413,
S22713

Satin Finish

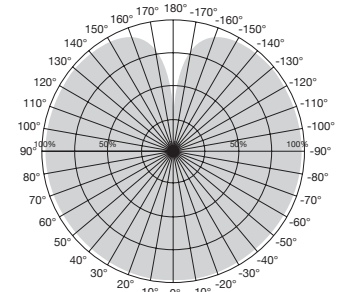


S23407,
S22707

S11301, S11303,
S11305, S11307

S23412,
S22712

Amber Finish



360° Illumination



Item	Description	W	V	Bulb Shape	Base	Finish	CCT	Lm	CRI	MOL (in.)	MOD (in.)	Life (hrs.)	UPC	Pack
Boxed														
S11300	2CA11/LED/SA/E12/27K/120V	2	120	CA11	E12	SPUN STN	2700K	150	80	4.00	1.38	15K	045923113000	24/6
S11301	2CA11/LED/A/E12/21K/120V	2	120	CA11	E12	SPUN AMB	2100K	100	80	4.00	1.38	15K	045923113017	24/6
S11302	4CA11/LED/SA/E12/27K/120V	4	120	CA11	E12	SPUN STN	2700K	300	80	4.00	1.38	15K	045923113024	24/6
S11303	4CA11/LED/A/E12/21K/120V	4	120	CA11	E12	SPUN AMB	2100K	200	80	4.00	1.38	15K	045923113031	24/6
S23403	2C11/LED/SA/E26/27K/120V	2	120	C11	E26	SPUN STN	2700K	120	80	3.81	1.38	15K	045923234033	24/6
S23407	2C11/LED/A/E26/21K/120V	2	120	C11	E26	SPUN AMB	2100K	100	80	3.81	1.38	15K	045923234071	24/6
S23413	4C15/LED/SA/E26/27K/120V	4	120	C15	E26	SPUN STN	2700K	300	80	4.38	1.88	15K	045923234132	24/6
S23412	4C15/LED/A/E26/21K/120V	4	120	C15	E26	SPUN AMB	2100K	240	80	4.38	1.88	15K	045923234125	24/6
Carded														
S11304	2CA11/LED/SA/E12/27K/120V/CD	2	120	CA11	E12	SPUN STN	2700K	150	80	4.00	1.38	15K	045923113048	24/12
S11305	2CA11/LED/A/E12/21K/120V/CD	2	120	CA11	E12	SPUN AMB	2100K	100	80	4.00	1.38	15K	045923113055	24/12
S11306	4CA11/LED/SA/E12/27K/120V/CD	4	120	CA11	E12	SPUN STN	2700K	300	80	4.00	1.38	15K	045923113062	24/12
S11307	4CA11/LED/A/E12/21K/120V/CD	4	120	CA11	E12	SPUN AMB	2100K	200	80	4.00	1.38	15K	045923113079	24/12
S22703	2C11/LED/SA/E26/27K/120V/CD	2	120	C11	E26	SPUN STN	2700K	120	80	3.81	1.38	15K	045923227035	24/12
S22707	2C11/LED/A/E26/21K/120V/CD	2	120	C11	E26	SPUN AMB	2100K	100	80	3.81	1.38	15K	045923227073	24/12
S22713	4C15/LED/SA/E26/27K/120V/CD	4	120	C15	E26	SPUN STN	2700K	300	80	4.38	1.88	15K	045923227134	24/12
S22712	4C15/LED/A/E26/21K/120V/CD	4	120	C15	E26	SPUN AMB	2100K	240	80	4.38	1.88	15K	045923227127	24/12

^ See warranty for details at www.satco.com

SPECIALTY LED LAMPS



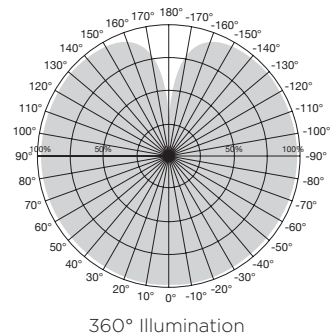
Features:

- Non-dimmable
- Direct replacements for incandescent & specialty lamps
- LED replacements use 80% less energy
- Wet location
- Long life—25,000 hours
- 3 Year warranty

Applications:

- Sign bulbs
- Indicator
- Nightlights
- Decorative lamps





Item	Description	W	V	Bulb Shape	Base	Finish	CCT	Lm	CRI	MOL (in.)	MOD (in.)	Life (hrs.)	UPC	Pack
S9150	1.4W A15/CL/LED/120V/CD	1.4	120	A15	E26	CL	2700K	36	80	3.31	1.88	25K	045923091506	48/12
S9151	1.4W A15/WH/LED/120V/CD	1.4	120	A15	E26	CTD WH	2700K	45	80	3.31	1.94	25K	045923091513	48/12
S9152	1W CTC/LED/120V/CD	1	120	BA9 1/2	E12	CL	2700K	25	80	3.63	1.25	25K	045923091520	48/12
S9153	1W CFC/LED/120V/CD	1	120	CA8	E12	CL	2700K	25	80	3.88	1.25	25K	045923091537	48/12
S9154	1.4W ETC/LED/120V/CD	1.4	120	B11	E26	CL	2700K	36	80	3.81	1.38	25K	045923091544	48/12
S9155	1W CTD/LED/CRYSTAL/120V/CD	1	120	BA9 1/2	E12	Crystal	2700K	45	80+	3.63	1.25	25K	045923091551	48/12
S9156	0.5W C7/CL/LED/120V/CD	0.5	120	C7	E12	CL	2700K	14	80	2.13	0.84	25K	045923091568	48/12
S9157	0.5W C7/WH/LED/120V/CD	0.5	120	C7	E12	CTD WH	2700K	14	80	2.13	0.84	25K	045923091575	48/12
S9158	1.4W G16.5/CL/LED/120V/CD E26	1.4	120	G16 1/2	E26	CL	2700K	36	80	2.75	2.06	25K	045923091582	48/12
S9159	1.4W G16.5/WH/LED/120V/CD E26	1.4	120	G16 1/2	E26	CTD WH	2700K	45	80	2.81	2.06	25K	045923091599	48/12
S9160	1.2W S11/CL/LED/120V/CD	1.2	120	S11	E26	CL	2700K	32	80	2.31	1.38	25K	045923091605	48/12
S9161	1.2W S11/WH/LED/120V/CD	1.2	120	S11	E26	CTD WH	2700K	40	75	2.31	1.38	25K	045923091612	48/12
S9162	1.2W S11/BL/LED/120V/CD	1.2	120	S11	E26	CER BLUE	-	-	-	2.31	1.38	25K	045923091629	48/12
S9163	1.2W S11/GR/LED/120V/CD	1.2	120	S11	E26	CER GRN	-	-	-	2.31	1.38	25K	045923091636	48/12
S9164	1.2W S11/OR/LED/120V/CD	1.2	120	S11	E26	CER ORNG	-	-	-	2.31	1.38	25K	045923091643	48/12
S9165	1.2W S11/RED/LED/120V/CD	1.2	120	S11	E26	CER RED	-	-	-	2.31	1.38	25K	045923091650	48/12
S9166	1.2W S11/Y/LED/120V/CD	1.2	120	S11	E26	CER YLW	-	-	-	2.31	1.38	25K	045923091667	48/12
S9167	1.0W S11/CL/LED/E17/120V/CD	1	120	S11	E17	CL	2700K	28	80	2.25	1.38	25K	045923091674	48/12
S9168	1.0W S11/WH/LED/E17/120V/CD	1	120	S11	E17	CTD WH	2700K	35	80	2.25	1.38	25K	045923091681	48/12
S9169	1.4W S14/Y/LED/120V/CD	1.4	120	S14	E26	CER YLW	-	-	-	3.31	1.75	25K	045923091698	48/12
S9170	1.4W S14/RED/LED/120V/CD	1.4	120	S14	E26	CER RED	-	-	-	3.31	1.75	25K	045923091704	48/12
S9171	1.4W S14/GR/LED/120V/CD	1.4	120	S14	E26	CER GRN	-	-	-	3.31	1.75	25K	045923091711	48/12
S9172	1.4W S14/BL/LED/120V/CD	1.4	120	S14	E26	CER BLUE	-	-	-	3.31	1.75	25K	045923091728	48/12
S9173	1.4W S14/OR/LED/120V/CD	1.4	120	S14	E26	CER ORNG	-	-	-	3.31	1.75	25K	045923091735	48/12
S9174	1.4W S14/CL/LED/120V/CD	1.4	120	S14	E26	CL	2700K	36	80	3.31	1.75	25K	045923091742	48/12
S9175	1.4W S14/WH/LED/120V/CD	1.4	120	S14	E26	CTD WH	2700K	45	80	3.31	1.75	25K	045923091759	48/12
S9176	0.8W T6/FR/LED/120V/CD	0.8	120	T6	E12	CTD WH	2700K	25	80	2.06	0.75	25K	045923091766	48/12
S9177	0.8W T6/CL/LED/120V/CD	0.8	120	T6	E12	CL	2700K	20	80	2.06	0.75	25K	045923091773	48/12

Product sheet S1529

40W REPLACEMENT LED A15 LAMPS

Features:

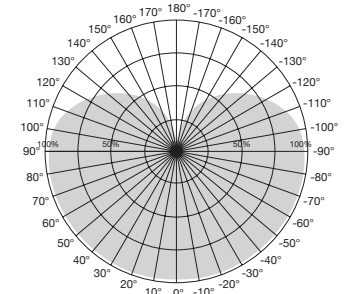
- Direct replacement for 40 Watt A15 incandescent lamps, uses only 5.5 Watts
- Indoor residential and commercial lighting
- Dimmable
- 2700K, 3000K, 4000K and 5000K options
- Damp location rated
- Approved for totally enclosed fixtures ^
- Long life—25,000 hours
- ENERGY STAR certified*
- 5 Year warranty



E17 Base



E26 Base



Beam Angle: 230°



Item	Description	W	V	Bulb Shape	Base	Finish	CCT	Lm	CRI	MOL (in.)	MOD (in.)	Life (hrs.)	UPC	Pack
S9030*	5.5A15/LED/2700K/120V	5.5	120	A15	E26	FR	2700K	450	80	3.47	1.88	25K	045923090301	24/6
S9031*	5.5A15/LED/3000K/120V	5.5	120	A15	E26	FR	3000K	450	80	3.47	1.88	25K	045923090318	24/6
S9032*	5.5A15/LED/4000K/120V	5.5	120	A15	E26	FR	4000K	450	80	3.47	1.88	25K	045923090325	24/6
S9033*	5.5A15/LED/5000K/120V	5.5	120	A15	E26	FR	5000K	450	80	3.47	1.88	25K	045923090332	24/6
S9064	5.5A15/LED/2700K/E17/120V	5.5	120	A15	E17	FR	2700K	450	80	3.5	1.88	25K	045923090646	24/6
S9065	5.5A15/LED/3000K/E17/120V	5.5	120	A15	E17	FR	3000K	450	80	3.5	1.88	25K	045923090653	24/6
S9067	5.5A15/LED/4000K/E17/120V	5.5	120	A15	E17	FR	4000K	450	80	3.5	1.88	25K	045923090677	24/6
S9068	5.5A15/LED/5000K/E17/120V	5.5	120	A15	E17	FR	5000K	450	80	3.5	1.88	25K	045923090684	24/6
90 CRI—CEC/T20														
S8572*	5A15/LED/2700K/120V	5	120	A15	E26	FR	2700K	450	90	3.5	1.88	25K	045923085727	24/6
S8573*	5A15/LED/3000K/120V	5	120	A15	E26	FR	3000K	450	90	3.5	1.88	25K	045923085734	24/6

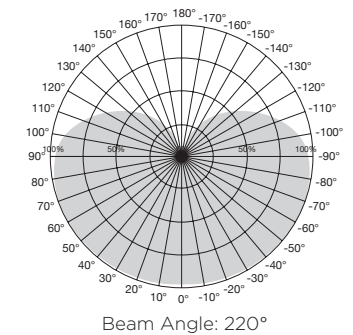
^ For minimum compartment size of enclosed fixture visit www.satco.com

Product sheet SA2267

40W REPLACEMENT LED A19 LAMPS

Features:

- Direct replacement for 40 Watt incandescent lamps or 9 Watt CFL, uses only 5.8 Watts
- Residential and commercial lighting
- 2700K, 3000K, 4000K & 5000K options
- Damp location
- 10,000 to 25,000 Hours
- Dimmable & non-dimmable
- Approved for enclosed fixtures[^]
- 3-5 Year warranty



Item	Description	W	V	Bulb Shape	Base	Finish	CCT	Lm	CRI	MOL (in.)	MOD (in.)	Life (hrs.)	UPC	Pack
Dimmable														
S29830*	6A19/OMNI/220/LED/27K	6	120	A19	E26	WH	2700K	480	80	4.31	2.38	25K	045923298301	24/6
S29831*	6A19/OMNI/220/LED/30K	6	120	A19	E26	WH	3000K	480	80	4.31	2.38	25K	045923298318	24/6
S29832*	6A19/OMNI/220/LED/35K	6	120	A19	E26	WH	3500K	480	80	4.31	2.38	25K	045923298325	24/6
S29833*	6A19/OMNI/220/LED/40K	6	120	A19	E26	WH	4000K	480	80	4.31	2.38	25K	045923298332	24/6
S29834*	9.8A19/LED/27K/120V/ECO/ND	6	120	A19	E26	WH	5000K	480	80	4.31	2.38	25K	045923298349	24/6
Non-Dimmable														
S11402	5.8A19/LED/27K/120V/ECO/ND	5.8	120	A19	E26	WH	2700K	450	80	4.31	2.38	10K	045923114021	24/6
S11403	5.8A19/LED/30K/120V/ECO/ND	5.8	120	A19	E26	WH	3000K	450	80	4.31	2.38	10K	045923114038	24/6
S11404	5.8A19/LED/40K/120V/ECO/ND	5.8	120	A19	E26	WH	4000K	450	80	4.31	2.38	10K	045923114045	24/6
S11405	5.8A19/LED/50K/120V/ECO/ND	5.8	120	A19	E26	WH	5000K	450	80	4.31	2.38	10K	045923114052	24/6
S9590*	6A19/LED/2700K/120V	6	120	A19	E26	WH	2700K	480	80	4.31	2.38	15K	045923095900	24/6
S9591*	6A19/LED/3000K/120V	6	120	A19	E26	WH	3000K	480	80	4.31	2.38	15K	045923095917	24/6
S9592*	6A19/LED/5000K/120V	6	120	A19	E26	WH	5000K	480	80	4.31	2.38	15K	045923095924	24/6
90 CRI - CEC/T20 - Dimmable														
S11320	5.5A19/LED/927/120V/D	5.5	120	A19	E26	WH	2700K	450	90	4.33	2.36	25K	045923113208	24/6
S11321	5.5A19/LED/930/120V/D	5.5	120	A19	E26	WH	3000K	450	90	4.33	2.36	25K	045923113215	24/6
90 CRI - CEC/T20 - Non-Dimmable														
S28557	5.5A19/LED/927/120V/ND/4PK	5.5	120	A19	E26	WH	2700K	450	90	4.33	2.36	15K	045923285578	12-4Pks
S28558	5.5A19/LED/930/120V/ND/4PK	5.5	120	A19	E26	WH	3000K	450	90	4.33	2.36	15K	045923285585	12-4Pks
S28593	5.5A19/LED/940/120V/ND/4PK	5.5	120	A19	E26	WH	4000K	450	90	4.33	2.36	15K	045923285936	12-4Pks
S28594	5.5A19/LED/950/120V/ND/4PK	5.5	120	A19	E26	WH	5000K	450	90	4.33	2.36	15K	045923285943	12-4Pks

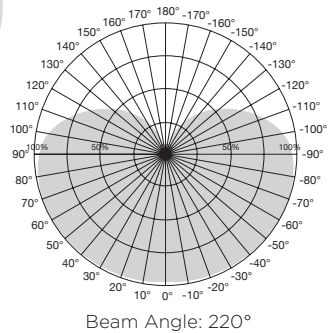
4-packs must be ordered in full cases only. [^] See warranty for details at www.satco.com

Product sheet SA2648

60W REPLACEMENT LED A19 LAMPS

Features:

- Indoor residential and commercial lighting
- Innovative design—smooth heat sink design to resemble traditional incandescent lamp
- 2700K, 3000K, 3500K, 4000K & 5000K options
- Damp location
- Dimmable and non-dimmable options
- Approved for totally enclosed fixtures[^]
- E26 & GU24 base options
- CEC/T20 Compliant options available
- Long life—up to 25,000 hours
- ENERGY STAR certified*
- 3 Year warranty—10,000-15,000 hours
- 5 Year warranty—25,000 hours



Item	Description	W	V	Bulb Shape	Base	Finish	CCT	Lm	CRI	MOL (in.)	MOD (in.)	Life (hrs.)	UPC	Pack
Dimmable														
S29835*	9.8A19/OMNI/220/LED/27K	9.8	120	A19	E26	FR WH	2700K	800	80	4.31	2.38	25K	045923298356	24/6
S29836*	9.8A19/OMNI/220/LED/30K	9.8	120	A19	E26	FR WH	3000K	800	80	4.31	2.38	25K	045923298363	24/6
S29837*	9.8A19/OMNI/220/LED/35K	9.8	120	A19	E26	FR WH	3500K	800	80	4.31	2.38	25K	045923298370	24/6
S29838*	9.8A19/OMNI/220/LED/40K	9.8	120	A19	E26	FR WH	4000K	800	80	4.31	2.38	25K	045923298387	24/6
S29839*	9.8A19/OMNI/220/LED/50K	9.8	120	A19	E26	FR WH	5000K	800	80	4.31	2.38	25K	045923298394	24/6
S29840*	9.8A19/OMNI/220/LED/27K/GU24	9.8	120	A19	GU24	FR WH	2700K	800	80	4.31	2.38	25K	045923298400	24/6
S29844*	9.8A19/OMNI/220/LED/30K/GU24	9.8	120	A19	GU24	FR WH	3000K	800	80	4.31	2.38	25K	045923298448	24/6
S29841*	9.8A19/OMNI/220/LED/35K/GU24	9.8	120	A19	GU24	FR WH	3500K	800	80	4.31	2.38	25K	045923298417	24/6
S29842*	9.8A19/OMNI/220/LED/40K/GU24	9.8	120	A19	GU24	FR WH	4000K	800	80	4.31	2.38	25K	045923298424	24/6
S29843	9.8A19/OMNI/220/LED/50K/GU24	9.8	120	A19	GU24	FR WH	5000K	800	80	4.31	2.38	25K	045923298431	24/6
90 CRI														
S9703*	10A19/OMNI/LED/27K/90CRI	10	120	A19	E26	FR WH	2700K	800	90+	4.31	2.38	25K	045923097034	24/6
S9704*	10A19/OMNI/LED/3K/90CRI	10	120	A19	E26	FR WH	3000K	800	90+	4.31	2.38	25K	045923097041	24/6
S8480	10A19/LED/4K/90CRI	10	120	A19	E26	FR WH	4000K	800	90	4.34	2.38	25K	045923084805	24/6
S8481	10A19/LED/5K/90CRI	10	120	A19	E26	FR WH	5000K	800	90	4.31	2.38	25K	045923084812	24/6
S9707*	10A19/OMNI/LED/27K/90CRI/GU24	10	120	A19	GU24	FR WH	2700K	800	90+	4.31	2.38	25K	045923097072	24/6
S9708*	10A19/OMNI/LED/3K/90CRI/GU24	10	120	A19	GU24	FR WH	3000K	800	90+	4.31	2.38	25K	045923097089	24/6
S8482	10A19/LED/4K/90CRI/GU24	10	120	A19	GU24	FR WH	4000K	800	90	4.31	2.38	25K	045923084829	24/6
Non-Dimmable														
S9593*	9.5A19/LED/2700K/ND/120V	9.5	120	A19	E26	FR WH	2700K	800	80	4.31	2.38	15K	045923095931	24/6
S9594*	9.5A19/LED/3000K/ND/120V	9.5	120	A19	E26	FR WH	3000K	800	80	4.31	2.38	15K	045923095948	24/6
S9595*	9.5A19/LED/5000K/ND/120V	9.5	120	A19	E26	FR WH	5000K	800	80	4.31	2.38	15K	045923095955	24/6
S11406	9.8A19/LED/27K/120V/ECO/ND	9.8	120	A19	E26	FR WH	2700K	800	80	4.34	2.38	10K	45923114069	24/6
S11407	9.8A19/LED/30K/120V/ECO/ND	9.8	120	A19	E26	FR WH	3000K	800	80	4.34	2.38	10K	045923114076	24/6
S11408	9.8A19/LED/40K/120V/ECO/ND	9.8	120	A19	E26	FR WH	4000K	800	80	4.34	2.38	10K	045923114083	24/6
S11409	9.8A19/LED/50K/120V/ECO/ND	9.8	120	A19	E26	FR WH	5000K	800	80	4.34	2.38	10K	045923114090	24/6
120-277V														
S8914*	8.5A19/LED/27K /120-277V	8.5	120-277	A19	E26	FR WH	2700K	800	80	4.31	2.38	25K	045923089145	24/6
S8915*	8.5A19/LED/30K /120-277V	8.5	120-277	A19	E26	FR WH	3000K	800	80	4.31	2.38	25K	045923089152	24/6
S8916	8.5A19/LED/40K /120-277V	8.5	120-277	A19	E26	FR WH	4000K	800	80	4.31	2.38	25K	045923089169	24/6
S8920	8.5A19/LED/50K /120-277V	8.5	120-277	A19	E26	FR WH	5000K	800	80	4.31	2.38	25K	045923089206	24/6

[^] See warranty for details at www.satco.com

LOW VOLTAGE 9.2W LED A19 LAMPS

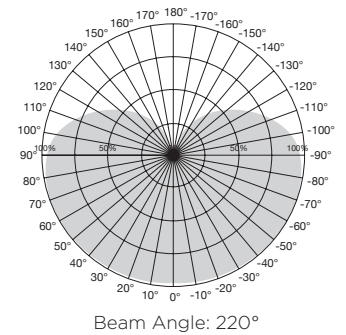


Features:

- 60 Watt incandescent replacement, uses only 9.2 Watts
- High efficiency—reduces drain on battery
- AC 12-24V
- DC 12-34V
- 800 Lumens
- Long life—25,000 hours
- 5 Year warranty

Applications:

- RVs and campers
- Marine applications



DAMP
LOCATION

800
LUMENS

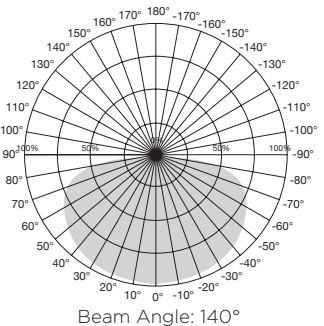
25,000
HOURS

Item	Description	W	V	Bulb Shape	Base	Finish	CCT	Lm	CRI	MOL (in.)	MOD (in.)	Life (hrs.)	UPC	Pack
S25011	9A19/LED/12-34VDC/827/ND	9	12V-34V	A19	E26	FR	2700K	800	80	4.31	2.38	25K	045923150111	24/6
S25012	9A19/LED/12-34VDC/850/ND	9	12V-34V	A19	E26	FR	5000K	800	80	4.31	2.38	25K	045923150128	24/6

^ See warranty for details at www.satco.com

Product sheet SA2806

COMMERCIAL GRADE LED A19 LAMPS



Features:

- Up to 1000 lumens
- Enhanced dimming
- Wet location
- Rough service
- Approved for totally enclosed fixtures ^



Item	Description	W	V	Bulb Shape	Base	Finish	CCT	Lm	CRI	MOL (in.)	MOD (in.)	Life (hrs.)	UPC	Pack
S11430	5A19/LED/827/AGRI/120V/D	5	120	A19	E26	FR	2700K	550	80	4.61	2.36	25K	045923114304	48/12
S11431	5A19/LED/850/AGRI/120V/D	5	120	A19	E26	FR	5000K	550	80	4.61	2.36	25K	045923114311	48/12
S11432	8.5A19/LED/827/AGRI/120V/D	8.5	120	A19	E26	FR	2700K	1000	80	4.61	2.36	25K	045923114328	48/12
S11433	8.5A19/LED/850/AGRI/120V/D	8.5	120	A19	E26	FR	5000K	1000	80	4.61	2.36	25K	045923114335	48/12

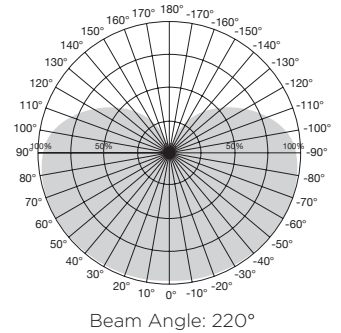
^ For minimum compartment size of enclosed fixture visit www.satco.com

Product sheet SA2575

60W REPLACEMENT LED A19 2 PACKS & 4-PACKS

Features:

- Direct replacement for 60 Watt replacement incandescent lamps and for 13 Wall screw-in CFLs, uses only 9.5-10 Watts
- Indoor residential and commercial lighting
- 2700K, 3000K, 4000K and 5000K options
- Damp location
- Approved for totally enclosed fixtures ^
- Long life—up to 15,000 hours
- ENERGY STAR certified*
- 3 Year warranty



Item	Description	W	V	Bulb Shape	Base	Finish	CCT	Lm	CRI	MOL (in.)	MOD (in.)	Life (hrs.)	UPC	Pack
Dimmable 4 Packs														
S11414†	9.5A19/LED/827/120V/D/4PK	9.5	120	A19	E26	FR	2700K	800	80	4.17	2.38	15K	045923114144	12-4pks
S11415†	9.5A19/LED/830/120V/D/4PK	9.5	120	A19	E26	FR	3000K	800	80	4.17	2.38	15K	045923114151	12-4pks
S11416†	9.5A19/LED/840/120V/D/4PK	9.5	120	A19	E26	FR	4000K	800	80	4.17	2.38	15K	045923114168	12-4pks
S11417†	9.5A19/LED/850/120V/D/4PK	9.5	120	A19	E26	FR	5000K	800	80	4.17	2.38	15K	045923114175	12-4pks
Non-Dimmable 4 Packs														
S39596*	9.5A19/LED/827/ND/120V/4PK	9.5	120	A19	E26	FR	2700K	800	80	4.33	2.36	15K	045923395963	12-4pks
S29589*	9.5A19/LED/830K/ND/120V/4PK	9.5	120	A19	E26	FR	3000K	800	80	4.31	2.38	15K	045923295898	12-4pks
S29558*	9.5A19/LED/840K/ND/120V/4PK	9.5	120	A19	E26	FR	4000K	800	80	4.31	2.38	15K	045923295584	12-4pks
S39597*	9.5A19/LED/850/ND/120V/4PK	9.5	120	A19	E26	FR	5000K	800	80	4.33	2.36	15K	045923395970	12-4pks
Non-Dimmable 2 Packs														
S11434	9.8A19/LED/827/ECO/ND/2PK	9.8	120	A19	E26	FR	2700K	800	80	4.34	2.38	10K	045923114342	24-2pks
S11435	9.8A19/LED/850/ECO/ND/2PK	9.8	120	A19	E26	FR	5000K	800	80	4.34	2.38	10K	045923114359	24-2pks
90 CRI—CEC/T20 4 Packs - Non-Dimmable														
S28560*	10A19/LED/927/120V/ND/4PK	10	120	A19	E26	FR	2700K	800	90+	4.31	2.38	15K	045923285608	12-4pks
S28561*	10A19/LED/930/120V/ND/4PK	10	120	A19	E26	FR	3000K	800	90+	4.31	2.38	15K	045923285615	12-4pks
S28562*	10A19/LED/940/120V/ND/4PK	10	120	A19	E26	FR	4000K	800	90+	4.31	2.38	15K	045923285622	12-4pks
S28563*	10A19/LED/950/120V/ND/4PK	10	120	A19	E26	FR	5000K	800	90+	4.31	2.38	15K	045923285639	12-4pks

Must be ordered in full cases only. ^ See warranty for details at www.satco.com

Product sheet SA2659

60W REPLACEMENT LED A19 LAMP DISPLAY PACK

Features:

Direct replacement for 60 Watt incandescent lamps, uses only 10 Watts

Indoor residential and commercial lighting

Warm white 2700K

Damp location

Approved for totally enclosed fixtures ^

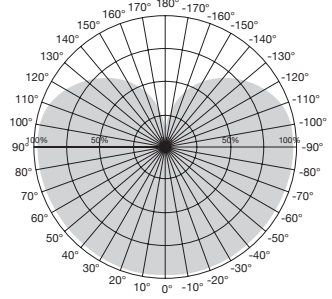
Long life—25,000 hours

ENERGY STAR certified

3 Year warranty



Sold 72 per display



Beam Angle: 240°



Item	Description	W	V	Bulb Shape	Base	Finish	CCT	Lm	CRI	MOL (in.)	MOD (in.)	Life (hrs.)	UPC	Pack
Dimmable														
S29629	10A19/LED/2700K/800L/120V	10	120	A19	E26	FR	2700K	800	80	4.38	2.38	25K	045923296291	72

Must be ordered in full cases only. ^ For minimum compartment size of enclosed fixture visit www.satco.com

Product sheet SA1994

2-LAMP DISPLAY PACK

Features:

Indoor residential and commercial lighting

Great for retail end caps and counter areas

60 Watt replacement uses only 9.8 Watts

Innovative design—smooth heat sink design to resemble traditional incandescent lamp 2700K

Damp location

Approved for totally enclosed fixtures ^

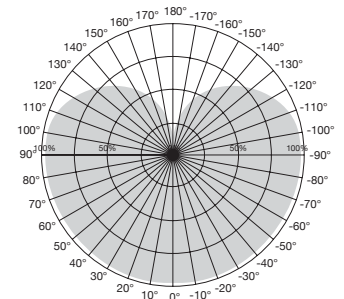
Long life—25,000 hours

ENERGY STAR certified

5 Year warranty



Sold 60 2-Pks per display



Beam Angle: 240°



Item	Description	W	V	Bulb Shape	Base	Finish	CCT	Lm	CRI	MOL (in.)	MOD (in.)	Life (hrs.)	UPC	Pack
Dimmable														
S29699	9.8A19/LED/2700K/800L/2PK	9.8	120	A19	E26	FR	2700K	800	80+	4.31	2.38	25K	045923296994	60-2pks

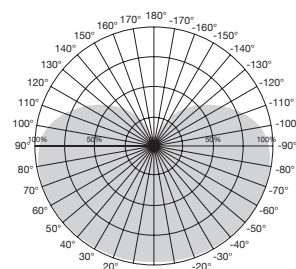
Must be ordered in full cases only. ^ See warranty for details at www.satco.com

Product sheet SA2043

60W REPLACEMENT LED A19 10 PACKS

Features:

- Direct replacements for 60W incandescent lamps uses only 9 Watts
- Value-packed for retail or contractor sales
- Direct replacement for 13 Watt screw-in CFLs
- Indoor residential and commercial lighting
- 3000K, and 5000K options
- Damp location
- Approved for totally enclosed fixtures ^
- Long life—10,000 hours
- Non-dimmable
- 3 Year warranty



Beam Angle: 220°



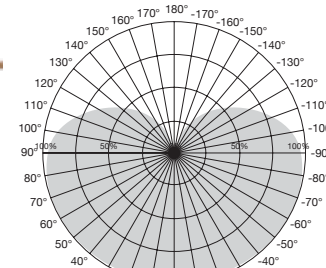
Item	Description	W	V	Bulb Shape	Base	Finish	CCT	Lm	CRI	MOL (in.)	MOD (in.)	Life (hrs.)	UPC	Pack
S11400	9A19/LED/E26/3K/120V/10PK	9	120	A19	E26	FR	3000K	800	80	4.38	2.38	10K	045923114007	4-10pks
S11401	9A19/LED/E26/5K/120V/10PK	9	120	A19	E26	FR	5000K	800	80	4.38	2.38	10K	045923114014	4-10pks
90 CRI—CEC/T20														
S11410	9.5A19/LED/930/120V/90CRI/10PK	9.5	120	A19	E26	FR	3000K	760	90	4.41	2.38	10K	045923114106	4-10pks
S11411	9.5A19/LED/950/120V/90CRI/10PK	9.5	120	A19	E26	FR	5000K	760	90	4.41	2.38	10K	045923114113	4-10pks

Master Cases 4/10 Pks ^ For minimum compartment size of enclosed fixture visit www.satco.com

100PC CONTRACTOR PACKS

Features:

- Direct replacement for 60 Watt incandescent lamps or 13 Watt CFL, uses only 9 Watts
- 100 per carton for easier installation and storage
- Residential and commercial lighting
- 2700K & 4000K options
- Damp location
- Approved for totally enclosed fixtures ^
- 10,000 Hours
- Non-dimmable
- 3 Year warranty



Beam Angle: 220°



Item	Description	W	V	Bulb Shape	Base	Finish	CCT	Lm	CRI	MOL (in.)	MOD (in.)	Life (hrs.)	UPC	Pack
S11412	9A19/LED/E26/827/120V/100PK	9	120	A19	E26	FR	2700K	800	80	4.41	2.38	10K	045923114120	100
S11413	9A19/LED/E26/840/120V/100PK	9	120	A19	E26	FR	4000K	800	80	4.41	2.38	10K	045923114137	100

^ For minimum compartment size of enclosed fixture visit www.satco.com

LED A19 DUSK TO DAWN LAMPS

ON AT DUSK, OFF AT DAWN

Features:

- Direct replacement for 60 Watt incandescent lamp uses only 6.5 or 8 Watts
- Non-dimmable
- Indoor/outdoor residential and commercial lighting
- Automatic operation -no timers to set
- Internal sensor works in any direction
- Damp location
- Long life - up to 15,000 hours

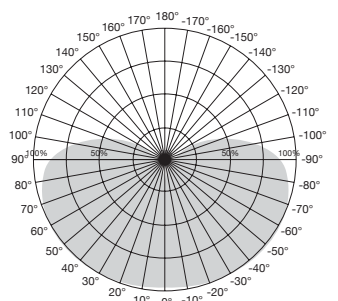




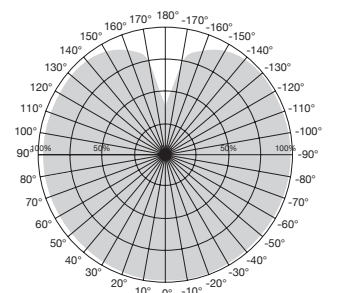
S11428



S11421, S11427



Beam Angle: 200° (White)



Beam Angle: 320°



Item	Description	W	V	Bulb Shape	Base	Finish	CCT	Lm	CRI	MOL (in.)	MOD (in.)	Life (hrs.)	UPC	Pack
S11428	6.5A19/DUSK/DAWN/CL/27K	6.5	120	A19	E26	CL	2700K	800	80	4.02	2.36	15K	045923114281	24/6
S11421	8A19/DUSK/DAWN/LED/27K	8	120	A19	E26	WH	2700K	800	80	4.19	2.38	15K	045923114212	24/6
S11427	8A19/DUSK/DAWN/LED/50K	8	120	A19	E26	WH	5000K	800	80	4.19	2.38	15K	045923114274	24/6

Not compatible with external photo sensors, motion sensors or timers
 ^ See warranty for details at www.satco.com

Product sheet SA2667

75W REPLACEMENT LED A19 LAMPS

Features:

Direct replacement for 75 Watt incandescent lamps, uses only 10-13 Watts

Indoor residential and commercial lighting

Damp Location

Approved for totally enclosed fixtures[^]
E26 & GU24 base options

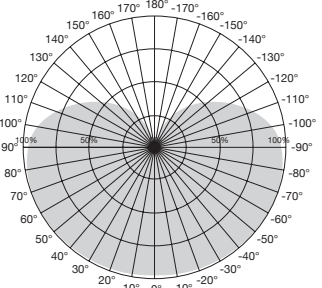
Dimmable and non-dimmable options

CEC/T20 Compliant options available

ENERGY STAR certified*

3 Year warranty—15,000 hours

5 Year warranty—25,000 hours



Beam Angle: 220°



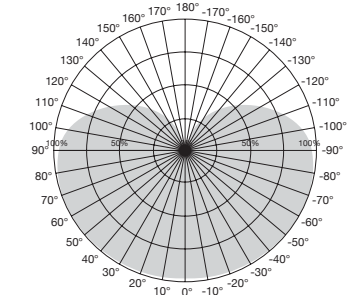
Item	Description	W	V	Bulb Shape	Base	Finish	CCT	Lm	CRI	MOL (in.)	MOD (in.)	Life (hrs.)	UPC	Pack
Dimmable														
S29810 ^{††}	11A19/LED/2700K/1100L/120V/D	11	120	A19	E26	FR	2700K	1100	80	4.31	2.38	25K	045923298103	24/6
S29811 [*]	11A19/LED/3000K/1100L/120V/D	11	120	A19	E26	FR	3000K	1100	80	4.31	2.38	25K	045923298110	24/6
S29812 [*]	11A19/LED/4000K/1100L/120V/D	11	120	A19	E26	FR	4000K	1100	80	4.31	2.38	25K	045923298127	24/6
S29813 [*]	11A19/LED/5000K/1100L/120V/D	11	120	A19	E26	FR	5000K	1100	80	4.31	2.38	25K	045923298134	24/6
S29814 [*]	11A19/LED/2700K/120V/D/GU24	11	120	A19	GU24	FR	2700K	1100	80	4.31	2.38	25K	045923298141	24/6
S29804 [*]	11A19/LED/4000K/120V/D/GU24	11	120	A19	GU24	FR	4000K	1100	80	4.31	2.38	25K	045923298042	24/6
90 CRI—CEC/T20														
S28650 [*] ■	11.5A19LED/927/120V	11.5	120	A19	E26	WH	2700K	1100	90	4.33	2.36	25K	045923286506	24/6
S28483	11.5A19LED/940/120V	11.5	120	A19	E26	WH	4000K	1100	90	4.33	2.36	25K	045923284830	24/6
S28484	11.5A19LED/950/120V	11.5	120	A19	E26	WH	5000K	1100	90	4.33	2.36	25K	045923284847	24/6
S21323■	11.5A19LED/927/120V/2PK	11.5	120	A19	E26	WH	2700K	1100	90	4.33	2.36	25K	045923200069	12-4pks
S21324■	11.5A19LED/927/GU24/120V	11.5	120	A19	GU24	WH	2700K	1100	90	4.33	2.36	25K	045923200076	24/6
S21325■	11.5A19LED/930/GU24/120V	11.5	120	A19	GU24	WH	3000K	1100	90	4.33	2.36	25K	045923200083	24/6
S28485■	11.5A19LED/940/GU24/120V	11.5	120	A19	GU24	WH	4000K	1100	90	4.33	2.36	25K	045923284854	24/6
Non-Dimmable														
S28765 [*]	11.5A19/LED/27K/ND/120V	11.5	120	A19	E26	FR	2700K	1100	80	4.31	2.38	15K	045923287657	24/6
S28766 [*]	11.5A19/LED/30K/ND/120V	11.5	120	A19	E26	FR	3000K	1100	80	4.31	2.38	15K	045923287664	24/6
S28767 [*]	11.5A19/LED/40K/ND/120V	11.5	120	A19	E26	FR	4000K	1100	80	4.31	2.38	15K	045923287671	24/6
S28768 [*]	11.5A19/LED/50K/ND/120V	11.5	120	A19	E26	FR	5000K	1100	80	4.31	2.38	15K	045923287688	24/6
Left hand threaded														
S11310	10A19/LED/830/LHT	10	120	A19	E26LHT	FR	3000K	1050	80	4.56	2.38	15K	045923113109	24/6
S11311	10A19/LED/840/LHT	10	120	A19	E26LHT	FR	4000K	1050	80	4.56	2.38	15K	045923113116	24/6

[^] For minimum compartment size of enclosed fixture visit www.satco.com

75W REPLACEMENT LED A19 4-PACKS

Features:

- Direct replacement for 75 Watt incandescent lamps, uses only 11.5-12.5 Watts
- Indoor residential and commercial lighting
- Direct replacement for 18 Watt screw-in CFLs
- 2700K, 3000K, 4000K and 5000K options
- Damp location
- Approved for totally enclosed fixtures ^
- Long life—10,000 hours
- ENERGY STAR certified*
- 3 Year warranty



Beam Angle: 220°



Item	Description	W	V	Bulb Shape	Base	Finish	CCT	Lm	CRI	MOL (in.)	MOD (in.)	Life (hrs.)	UPC	Pack
Non-Dimmable														
S28769*	11.5A19/LED/27K/ND/120V/4PK	11.5	120	A19	E26	FR	2700K	1100	80	4.31	2.38	10K	045923287695	12-4pks
S28770*	11.5A19/LED/50K/ND/120V/4PK	11.5	120	A19	E26	FR	5000K	1100	80	4.31	2.38	10K	045923287701	12-4pks
90 CRI—CEC/T20														
S8564	12.5A19/LED/27K/ND/120V/4PK	12.5	120	A19	E26	FR	2700K	1050	90	4.38	2.38	10K	045923085642	12-4pks
S8499	12.5A19/LED/30K/ND/120V/4PK	12.5	120	A19	E26	FR	3000K	1050	90	4.38	2.38	10K	045923084997	12-4pks
S8489	12.5A19/LED/40K/ND/120V/4PK	12.5	120	A19	E26	FR	4000K	1050	90	4.38	2.38	10K	045923084898	12-4pks
S8565	12.5A19/LED/50K/ND/120V/4PK	12.5	120	A19	E26	FR	5000K	1050	90	4.38	2.38	10K	045923085659	12-4pks

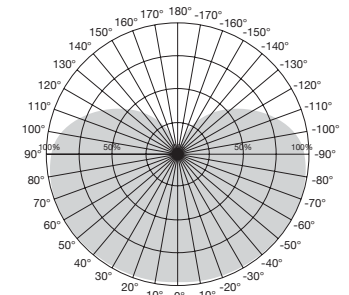
Must be ordered in full cases only. ^ For minimum compartment size of enclosed fixture visit www.satco.com

Product sheet SA2152

75W REPLACEMENT LED A19 10-PACKS

Features:

- Direct replacement for 75 Watt incandescent lamps
- Indoor residential and commercial lighting
- Direct replacement for 18 Watt screw-in CFLs
- 3000K and 5000K options
- Damp location
- Approved for totally enclosed fixtures ^
- Long life—10,000 hours
- 3 Year warranty



Beam Angle: 220°



Item	Description	W	V	Bulb Shape	Base	Finish	CCT	Lm	CRI	MOL (in.)	MOD (in.)	Life (hrs.)	UPC	Pack
S11437	12A19/LED/E26/830/120V/10PK	12	120	A19	E26	WH	3000K	1100	80	4.41	2.36	10K	045923114373	4-10pks
S11438	12A19/LED/E26/850/120V/10PK	12	120	A19	E26	WH	5000K	1100	80	4.41	2.36	10K	045923114380	4-10pks

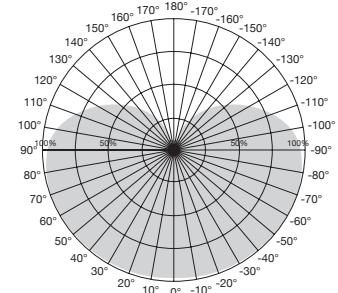
^ For minimum compartment size of enclosed fixture visit www.satco.com

Product sheet SA2624

100W REPLACEMENT LED A19

Features:

- Direct replacement for 100 Watt incandescent lamps, uses only 15-16.5 Watts
- Indoor residential and commercial lighting
- Damp location
- Dimmable and non-dimmable options
- Approved for totally enclosed fixtures ^
- CEC/T20 Compliant options available
- Long life—up to 25,000 hours
- ENERGY STAR certified*
- 3 Year warranty—15,000 hours
- 5 Year warranty—25,000 hours



Item	Description	W	V	Bulb Shape	Base	Finish	CCT	Lm	CRI	MOL (in.)	MOD (in.)	Life (hrs.)	UPC	Pack
Dimmable														
S29815*	15A19/LED/2700K/1600L/120V/D	15	120	A19	E26	FR	2700K	1600	80	4.63	2.38	25K	045923298158	24/6
S29816*	15A19/LED/3000K/1600L/120V/D	15	120	A19	E26	FR	3000K	1600	80	4.63	2.38	25K	045923298165	24/6
S29817*	15A19/LED/4000K/1600L/120V/D	15	120	A19	E26	FR	4000K	1600	80	4.63	2.38	25K	045923298172	24/6
S29818*	15A19/LED/5000K/1600L/120V/D	15	120	A19	E26	FR	5000K	1600	80	4.63	2.38	25K	045923298189	24/6
S29819*	15A19/LED/27K/1600/120V/GU24	15	120	A19	GU24	FR	2700K	1600	80	4.5	2.38	25K	045923298196	24/6
S29805*	15A19/LED/40K/1600/120V/GU24	15	120	A19	GU24	FR	4000K	1600	80	4.5	2.38	25K	045923298059	24/6
90 CRI—CEC/T20														
S28652*■	16.5A19LED/927/120V	16.5	120	A19	E26	WH	2700K	1600	90	4.65	2.36	25K	045923286520	24/6
S28653*■	16.5A19LED/930/120V	16.5	120	A19	E26	WH	3000K	1600	90	4.65	2.36	25K	045923286537	24/6
S28486■	16.5A19LED/940/120V	16.5	120	A19	E26	WH	4000K	1600	90	4.65	2.36	25K	045923284861	24/6
S28487	16.5A19LED/950/120V	16.5	120	A19	E26	WH	5000K	1600	90	4.65	2.36	25K	045923200106	24/6
S21326■	16.5A19LED/927/120V/2PK	16.5	120	A19	E26	WH	2700K	1600	90	4.65	2.36	25K	045923200090	12-2pks
S21327■	16.5A19LED/927/GU24/120V	16.5	120	A19	GU24	WH	2700K	1600	90	4.53	2.36	25K	045923213274	24/6
S21328■	16.5A19LED/930/GU24/120V	16.5	120	A19	GU24	WH	3000K	1600	90	4.53	2.36	25K	045923213281	24/6
S28488■	16.5A19LED/940/GU24/120V	16.5	120	A19	GU24	WH	4000K	1600	90	4.53	2.36	25K	045923284885	24/6
Non-Dimmable														
S28785*	15.5A19/LED/27K/ND/120V	15.5	120	A19	E26	FR	2700K	1600	80	4.63	2.38	15K	045923287855	24/6
S28786*	15.5A19/LED/30K/ND/120V	15.5	120	A19	E26	FR	3000K	1600	80	4.63	2.38	15K	045923287862	24/6
S28787*	15.5A19/LED/40K/ND/120V	15.5	120	A19	E26	FR	4000K	1600	80	4.63	2.38	15K	045923287879	24/6
S28788*	15.5A19/LED/50K/ND/120V	15.5	120	A19	E26	FR	5000K	1600	80	4.63	2.38	15K	045923287886	24/6

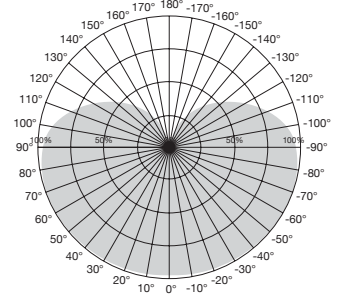
^ For minimum compartment size of enclosed fixture visit www.satco.com

Product sheet SA2255

100W REPLACEMENT LED A19 4-PACKS

Features:

- Direct replacements for 100 Watt incandescent lamps uses only 15.5 Watts
- Indoor residential and commercial lighting
- Direct replacement for 13, 18 & 23W screw-in CFLs
- 2700K to 5000K options
- Damp location
- Approved for totally enclosed fixtures ^
- Long life—up to 15,000 hours
- ENERGY STAR certified*
- 3 Year warranty



Beam Angle: 220°

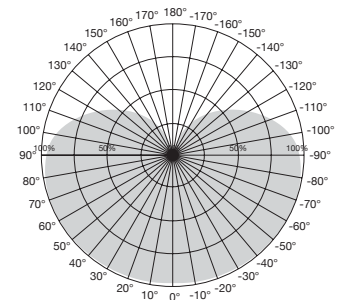


Item	Description	W	V	Bulb Shape	Base	Finish	CCT	Lm	CRI	MOL (in.)	MOD (in.)	Life (hrs.)	UPC	Pack
100W Replacement														
S11422	15.5A19/LED/827/120V/D/4PK	15.5	120	A19	E26	FR	2700K	1600	80	4.57	2.38	15K	045923114229	12-4pks
S11423	15.5A19/LED/830/120V/D/4PK	15.5	120	A19	E26	FR	3000K	1600	80	4.57	2.38	15K	045923114236	12-4pks
S11424	15.5A19/LED/840/120V/D/4PK	15.5	120	A19	E26	FR	4000K	1600	80	4.57	2.38	15K	045923114243	12-4pks
S11425	15.5A19/LED/850/120V/D/4PK	15.5	120	A19	E26	FR	5000K	1600	80	4.57	2.38	15K	045923114250	12-4pks
Non-Dimmable														
S28789*	15.5A19/LED/27K/ND/120V/4PK	15.5	120	A19	E26	FR	2700K	1600	80	4.63	2.38	15K	045923287893	12-4pks
S28790*	15.5A19/LED/50K/ND/120V/4PK	15.5	120	A19	E26	FR	5000K	1600	80	4.63	2.38	15K	045923287909	12-4pks
90 CRI—CEC/T20 - Non-Dimmable														
S8566	15.5A19/LED/27K/ND/120V/4PK	15.5	120	A19	E26	FR	2700K	1490	90	4.63	2.38	15K	045923085666	12-4pks
S8567	15.5A19/LED/30K/ND/120V/4PK	15.5	120	A19	E26	FR	3000K	1490	90	4.63	2.38	15K	045923085673	12-4pks
S8490	15.5A19/LED/40K/ND/120V/4PK	15.5	120	A19	E26	FR	4000K	1490	90	4.63	2.38	15K	045923084904	12-4pks
S8568	15.5A19/LED/50K/ND/120V/4PK	15.5	120	A19	E26	FR	5000K	1490	90	4.63	2.38	15K	045923085680	12-4pks

Must be ordered in full cases only. ^ See warranty for details at www.satco.com

Product sheets SA2330, SA2400, SA2180-3

100W REPLACEMENT LED A19 10-PACKS



Beam Angle: 220°



Item	Description	W	V	Bulb Shape	Base	Finish	CCT	Lm	CRI	MOL (in.)	MOD (in.)	Life (hrs.)	UPC	Pack
Non-Dimmable														
S11418	14A19/LED/E26/830/120V/10PK	14	120	A19	E26	WH	3000K	1600	80	4.57	2.36	10K	045923114182	4-10pks
S11419	14A19/LED/E26/850/120V/10PK	14	120	A19	E26	WH	5000K	1600	80	4.57	2.36	10K	045923114199	4-10pks

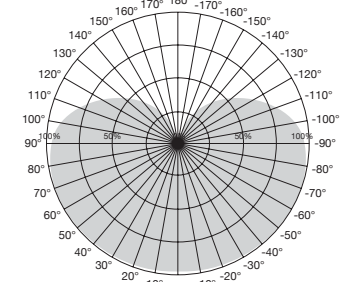
Sold per 10 pack. ^ See warranty for details at www.satco.com

Product sheet SA2624

125W REPLACEMENT 120-277V LED A21 LAMPS

Features:

- Direct replacement for 125 Watt incandescent & 25 Watt CFL lamps, uses only 20 Watts
- Indoor residential and commercial lighting
- Down lighting
- CEC/T20 compliant
- 2700K, 3000K, 4000K and 5000K options
- Damp location Approved for totally enclosed fixtures ^
- c-UL-us listed Long life—25,000 hours
- ENERGY STAR certified*
- 5 Year warranty



Beam Angle: 220°



Item	Description	W	V	Bulb Shape	Base	Finish	CCT	Lm	CRI	MOL (in.)	MOD (in.)	Life (hrs.)	UPC	Pack
Non-Dimmable														
S11329*	20A21/LED/927/120-277V/ND	20	120V-277	A21	E26	WH	2700K	2000	90	5.55	2.63	25K	045923113291	24/6
S11330*	20A21/LED/930/120-277V/ND	20	120V-277	A21	E26	WH	3000K	2000	90	5.55	2.63	25K	045923113307	24/6
S11331	20A21/LED/940/120-277V/ND	20	120V-277	A21	E26	WH	4000K	2000	90	5.55	2.63	25K	045923113314	24/6
S11332	20A21/LED/950/120-277V/ND	20	120V-277	A21	E26	WH	5000K	2000	90	5.55	2.63	25K	045923113321	24/6

^ For minimum compartment size of enclosed fixture visit www.satco.com

Product sheet SA2696

3-WAY LED A19 & A21 LAMPS

Features:

Direct replacement for 30/70/100W 3-Way incandescent lamps, uses only 3/9/12 Watts

Direct replacement for 50/100/150W 3-Way incandescent lamps uses only 5/15/21 Watts

Indoor residential and commercial lighting

220° Omni-directional

2700K, 3000K, 4000K and 5000K options

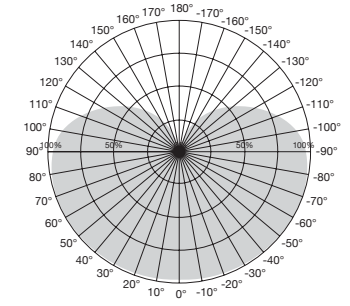
Damp location rated

Approved for totally enclosed fixtures[^]

ENERGY STAR certified*

Long life—25,000 hours

5 Year warranty



Item	Description	W	V	Bulb Shape	Base	Finish	CCT	Lm	CRI	MOL (in.)	MOD (in.)	Life (hrs.)	UPC	Pack
30/70/100W 3-Way														
S9316*	3/9/12A19/3WAY LED/2700K/120V	3/9/12	120	A19	E26	FR	2700K	280/950/1200	80	4.66	2.38	25K	045923093166	24/6
S9317*	3/9/12A19/3WAY LED/3000K/120V	3/9/12	120	A19	E26	FR	3000K	280/950/1200	80	4.63	2.38	25K	045923093173	24/6
S9318	3/9/12A19/3WAY LED/4000K/120V	3/9/12	120	A19	E26	FR	4000K	280/950/1200	80	4.63	2.38	25K	045923093180	24/6
S9319	3/9/12A19/3WAY LED/5000K/120V	3/9/12	120	A19	E26	FR	5000K	280/950/1200	80	4.63	2.38	25K	045923093197	24/6
90 CRI—CEC/T20														
S8570	3/9/12A19/3WAY LED/2700K/90CRI	3/9/12	120	A19	E26	FR	2700K	230/850/1050	90	4.66	2.38	25K	045923085703	24/6
S8571	3/9/12A19/3WAY LED/3000K/90CRI	3/9/12	120	A19	E26	FR	3000K	230/850/1050	90	4.63	2.38	25K	045923085710	24/6
50/100/150W 3-Way														
S8542*	5/15/21A21/3-WAY/LED/27K	5/15/21	120	A21	E26	FR	2700K	600/1600/2150	80	5.5	2.63	25K	045923085420	24/6
S8543*	5/15/21A21/3-WAY/LED/30K	5/15/21	120	A21	E26	FR	3000K	600/1600/2150	80	5.5	2.63	25K	045923085437	24/6
S8544	5/15/21A21/3-WAY/LED/40K	5/15/21	120	A21	E26	FR	4000K	600/1600/2150	80	5.5	2.63	25K	045923085444	24/6
S8545	5/15/21A21/3-WAY/LED/50K	5/15/21	120	A21	E26	FR	5000K	600/1600/2150	80	5.5	2.63	25K	045923085451	24/6

[^] For minimum compartment size of enclosed fixture visit www.satco.com

HI-PRO LED A21 LAMPS

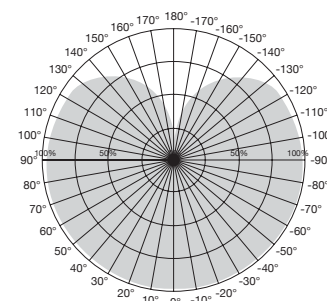


Features:

- High lumen, A21 lamps for industrial and commercial applications
- For use in bollard and post top lighting
- High ceiling recessed lighting
- Replaces high lumen incandescent and CFL lamps
- Dimmable & non-dimmable
- Damp location
- Saves over 80% on energy costs

- Advanced heat dissipation design
- Direct wire range voltage 120-277V options
- High efficiency—up to 150 LPW
- 2700K, 4000K and 5000K options
- Base up, base down or horizontal operation
- Long life—25,000 hours
- ENERGY STAR certified
- 5 Year limited warranty





Beam Angle: 280°



Item	Description	W	V	Bulb Shape	Base	Finish	CCT	Lm	CRI	MOL (in.)	MOD (in.)	Life (hrs.)	UPC	Pack
Dimmable														
S8791*†	20WA21/LED/927/120V/DIM	20	120	A21	E26	WH	2700K	2040	90	5.00	2.44	25K	045923087912	24/12
S8735*†	20WA21/LED/827/120V/DIM	20	120	A21	E26	FR	2700K	2350	80	5.00	2.63	25K	045923087356	24/12
S8778*†	20WA21/LED/840/120V/DIM	20	120	A21	E26	FR	4000K	2747	80	5.00	2.63	25K	045923087783	24/12
S8736^†	20WA21/LED/850/120V/DIM	20	120	A21	E26	FR	5000K	2860	80	5.00	2.63	25K	045923087363	24/12
Non-Dimmable														
S8792*	20WA21/LED/927/120-277V	20	120-277	A21	E26	WH	2700K	2100	90	5.00	2.44	25K	045923087929	24/12
S8737*	20WA21/LED/827/120-277V	20	120-277	A21	E26	FR	2700K	2450	80	5.00	2.63	25K	045923087370	24/12
S8779*	20WA21/LED/840/120-277V	20	120-277	A21	E26	FR	4000K	2828	80	5.00	2.63	25K	045923087790	24/12
S8738*	20WA21/LED/850/120-277V	20	120-277	A21	E26	FR	5000K	2910	80	5.00	2.63	25K	045923087387	24/12
Accessories														
92-410	MOGUL TO MED REDUCER 660W-600V												045923924101	200/10
80-929	LED HID SURGE PROTECTOR												045923809293	100/1

Product sheet SA2218

HI-PRO LED A23 & A25 LAMP



Features

Replaces high lumen incandescent and CFL lamps and A25 series up to 150W HID

25W - E26 and EX39 / up to 3600 lumens

35W - EX39 / up to 4800 lumens

Saves over 80% on energy costs

Advanced heat dissipation design

Direct wire range voltage 120-277V

High efficiency—up to 145 LPW
2700K, 4000K, 5000K and
6500K options

Base up, base down or horizontal
operation

Damp location

Long life—up to 50,000 hours

5 Year limited warranty

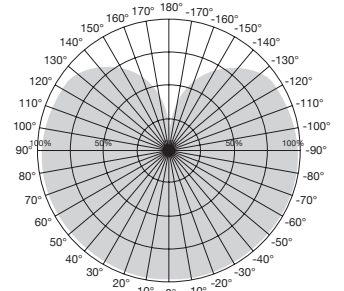




A23



A25



Beam Angle: 280° (Clear)



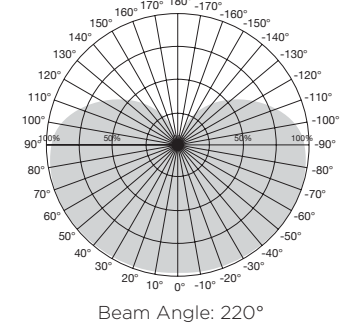
Item	Description	W	V	Bulb Shape	Base	Finish	CCT	Lm	CRI	MOL (in.)	MOD (in.)	Life (hrs.)	UPC	Pack
S13100*	25WA23/LED/27K/100-277V/E26	25	100-277	A23	E26	FR	2700K	3275	80	6.28	3.22	25K	045923131004	24/12
S13101*	25WA23/LED/40K/100-277V/E26	25	100-277	A23	E26	FR	4000K	3375	80	6.28	3.22	25K	045923131011	24/12
S13102*	25WA23/LED/50K/100-277V/E26	25	100-277	A23	E26	FR	5000K	3525	80	6.28	3.22	25K	045923131028	24/12
S13103*	25WA23/LED/65K/100-277V/E26	25	100-277	A23	E26	FR	6500K	3525	80	6.28	3.22	25K	045923131035	24/12
S13104♦	25WA23/LED/27K/100-277V/EX39	25	100-277	A23	EX39	FR	2700K	3275	80	6.66	3.22	50K	045923131042	24/12
S13105♦	25WA23/LED/40K/100-277V/EX39	25	100-277	A23	EX39	FR	4000K	3375	80	6.66	3.22	50K	045923131059	24/12
S13106♦	25WA23/LED/50K/100-277V/EX39	25	100-277	A23	EX39	FR	5000K	3525	80	6.66	3.22	50K	045923131066	24/12
S13107	25WA23/LED/65K/100-277V/EX39	25	100-277	A23	EX39	FR	6500K	3525	80	6.66	3.22	50K	045923131073	24/12
S13108♦	35WA25/LED/27K/100-277V/EX39	35	100-277	A25	EX39	FR	2700K	4480	80	7.25	3.75	50K	045923131080	12
S13109♦	35WA25/LED/40K/100-277V/EX39	35	100-277	A25	EX39	FR	4000K	4725	80	7.25	3.75	50K	045923131097	12
S13110♦	35WA25/LED/50K/100-277V/EX39	35	100-277	A25	EX39	FR	5000K	4830	80	7.25	3.75	50K	045923131103	12
S13111	35WA25/LED/65K/100-277V/EX39	35	100-277	A25	EX39	FR	6500K	4830	80	7.25	3.75	50K	045923131110	12

^ For minimum compartment size of enclosed fixture visit www.satco.com

40W & 60W CANDELABRA BASE REPLACEMENT LED A19 LAMPS

Features:

- Direct replacements for 9 Watt and 13 Watt candelabra base CFL
- Indoor residential and commercial lighting
- Display lighting
- Accent lighting
- Dimmable
- 2700K, 3000K, 4000K and 5000K options
- Damp location
- Approved for totally enclosed fixtures ^
- Long life—25,000 hours
- 5 Year warranty



Item	Description	W	V	Bulb Shape	Base	Finish	CCT	Lm	CRI	MOL (in.)	MOD (in.)	Life (hrs.)	UPC	Pack
40W Replacement														
S21800*	6A19/OMNI/220/LED/E12/27K	6	120	A19	E12	FR	2700K	480	80	4.31	2.38	25K	045923218002	24/6
S21801*	6A19/OMNI/220/LED/E12/30K	6	120	A19	E12	FR	3000K	480	80	4.31	2.38	25K	045923218019	24/6
S21802	6A19/OMNI/220/LED/E12/40K	6	120	A19	E12	FR	4000K	480	80	4.31	2.38	25K	045923218026	24/6
S21803	6A19/OMNI/220/LED/E12/50K	6	120	A19	E12	FR	5000K	480	80	4.31	2.38	25K	045923218033	24/6
60W Replacement														
S21804*	9.8A19/OMNI/220/LED/E12/27K	9.8	120	A19	E12	FR	2700K	800	80	4.31	2.38	25K	045923218040	24/6
S21805*	9.8A19/OMNI/220/LED/E12/30K	9.8	120	A19	E12	FR	3000K	800	80	4.31	2.38	25K	045923218057	24/6
S21806	9.8A19/OMNI/220/LED/E12/40K	9.8	120	A19	E12	FR	4000K	800	80	4.31	2.38	25K	045923218064	24/6
S21807	9.8A19/OMNI/220/LED/E12/50K	9.8	120	A19	E12	FR	5000K	800	80	4.31	2.38	25K	045923218071	24/6

^ For minimum compartment size of enclosed fixture visit www.satco.com

Product sheet SA2469

LED A19 COLORS

Features:

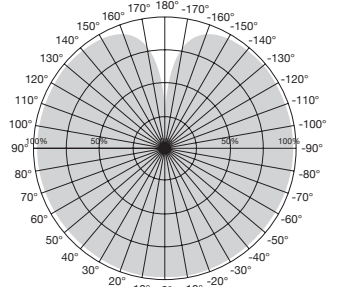
- Direct replacement for 60 Watt incandescent lamps, uses only 8 Watts
- Indoor residential and commercial lighting
- Party bulbs
- Display lighting
- Accent lighting
- Ceramic-lined glass envelopes
- 360° Beam angle
- Damp location
- Approved for totally enclosed fixtures[^]
- Long life-15,000 hours
- 3 Year warranty



S14990
Blacklight



Colors for a reason
 Blue—in support of law enforcement/Autism awareness
 Green—in support of veterans
 Yellow—bug lights
 Pink—Breast cancer awareness



Beam Angle: 360°



Item	Description	W	V	Bulb Shape	Base	Finish	MOL (in.)	MOD (in.)	Life (hrs.)	UPC	Pack
S14984	8A19/RED/LED/E26/120V	8	120	A19	E26	CER RED	4.13	2.38	15K	045923149849	24/6
S14985	8A19/BLUE/LED/E26/120V	8	120	A19	E26	CER BLUE	4.13	2.38	15K	045923149856	24/6
S14986	8A19/GREEN/LED/E26/120V	8	120	A19	E26	CER GRN	4.13	2.38	15K	045923149863	24/6
S14987	8A19/YELLOW/E26/120V	8	120	A19	E26	CER YLW	4.13	2.38	15K	045923149870	24/6
S14988	8A19/ORANGE/LED/E26/120V	8	120	A19	E26	CER ORNG	4.13	2.38	15K	045923149887	24/6
S14989	8A19/PINK/LED/E26/120V	8	120	A19	E26	CER PINK	4.13	2.38	15K	045923149894	24/6
S14990	8A19/BL/LED/E26/120V	8	120	A19	E26	BLACK	4.13	2.38	15K	045923149900	24/6

[^] For minimum compartment size of enclosed fixture visit www.satco.com

LED T10 HIGH LUMEN LAMPS

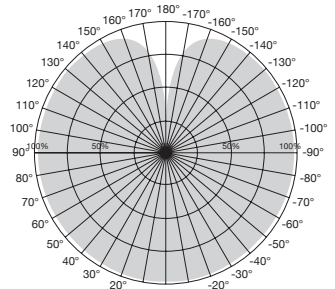


Features:

- High lumen output
- Generates less heat than halogen
- 3000 & 4000K
- c-UL-us Listed
- 3 Year warranty

Applications

- Replaces Halogen T10 double envelope
- Picture lights
- Sconces
- Showcase displays
- Ceiling fixtures



Beam Angle: 360°



Item	Description	W	V	Bulb Shape	Base	Finish	CCT	Lm	CRI	MOL (in.)	MOD (in.)	Life (hrs.)	UPC	Pack
S11218	8T10/LED/HL/30K/FR/ND/CD	8	120	T10	E26	FR	3000K	1020	80	4.02	1.26	15K	045923112188	24/12
S11219	8T10/LED/HL/40K/FR/ND/CD	8	120	T10	E26	FR	4000K	1080	80	4.02	1.26	15K	045923112195	24/12

Not for use in wet or damp locations.

Product sheet SA2734

DECORATIVE LED LAMPS

Features:

- 25W candle replacement uses only 2.8W
- 40W candle replacement uses only up to 4.5W
- Dimmable
- Damp location
- Long life—25,000 hours
- Approved for totally enclosed fixtures ^
- ENERGY STAR certified*
- 5 Year warranty

Applications:

- Accent lighting
- Pendant lighting



CTC



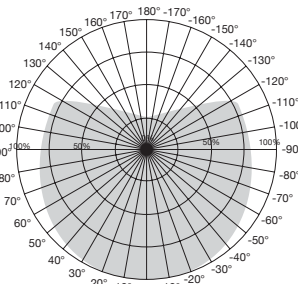
ETC



G25

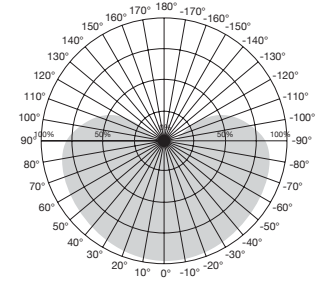


Candle Beam Profile



Beam Angle: 275°

Globe Beam Profile



Beam Angle: 175°



Item	Description	W	V	Bulb Shape	Base	Finish	CCT	Lm	CRI	MOL (in.)	MOD (in.)	Life (hrs.)	UPC	Pack
S8950	2.8CTC/LED/3000K/165L/120V	2.8	120	B11	E12	CL	3000K	160	80	3.75	1.38	25K	045923089503	12
S8951*	4.5CTC/LED/2700K/E12/120V	4.5	120	B11	E12	CL	2700K	300	80	3.75	1.38	25K	045923089510	12
S8952*	4.5CTC/LED/3000K/E12/120V	4.5	120	B11	E12	CL	3000K	300	80	3.75	1.38	25K	045923089527	12
S8953*	4.5ETC/LED/3000K/E26/120V	4.5	120	B11	E26	CL	3000K	300	80	3.75	1.38	25K	045923089534	12
90 CRI—CEC/T20														
S29618*	3.5CTC/LED/927/E12/120V	3.5	120	B11	E12	CL	2700K	300	90+	3.75	1.38	25K	045923296185	48/12
S28574*	3.5CTC/LED/930/E12/120V	3.5	120	B11	E12	CL	3000K	300	90+	3.75	1.38	25K	045923285745	48/12
S28617*	3.5ETC/LED/927/E26/120V	3.5	120	B11	E26	CL	2700K	300	90+	3.75	1.38	25K	045923286179	48/12
S28575	3.5ETC/LED/930/E26/120V	3.5	120	B11	E26	CL	3000K	300	90+	3.75	1.38	25K	045923285752	48/12
GLOBES - G25														
S9200*	6G25/LED/2700K/450L/120/D	6	120	G25	E26	FR	2700K	450	80	4.25	3.13	25K	045923092008	24/6
S9201*	6G25/LED/3000K/450L/120/D	6	120	G25	E26	FR	3000K	450	80	4.25	3.13	25K	045923092015	24/6
S9202	6G25/LED/4000K/450L/120/D	6	120	G25	E26	FR	4000K	450	80	4.25	3.13	25K	045923092022	24/6
S9203	6G25/LED/5000K/450L/120/D	6	120	G25	E26	FR	5000K	450	80	4.25	3.13	25K	045923092039	24/6
90 CRI—CEC/T20														
S29619*	4G25/LED/927/120V	4	120	G25	E26	WH	2700K	360	90+	4.25	3.13	25K	045923296192	24/6
S28576*	4G25/LED/930/120V	4	120	G25	E26	WH	3000K	360	90+	4.25	3.13	25K	045923285769	24/6
S28618*	4G25/LED/940/120V	4	120	G25	E26	WH	4000K	360	90+	4.25	3.13	25K	045923286186	24/6
S28595	4G25/LED/950/120V	4	120	G25	E26	WH	5000K	360	90	4.25	3.13	25K	045923285950	24/6

^ For minimum compartment size of enclosed fixture visit www.satco.com

Product sheet SA1370

LED J-TYPE T3 LAMPS



Features:

- Outperforms 50W and 100W Halogen equivalents
- Direct replacement/energy saving
- Dimmable
- Long life
- 3 Year warranty

Applications:

- Floor lamps
- Billboards
- Garden lighting
- Desk lamps
- Wall sconces
- Outdoor security lighting



Item	Description	W	V	Bulb Shape	Base	CCT	Lm	CRI	MOL (in.)	MOD (in.)	Life (hrs.)	UPC	Pack
S11220	6W/LED/T3/78MM/830/120V/D	6	120	T3	R7S	3000K	600	80	3.07	0.98	15K	045923112201	48
S11221	6W/LED/T3/78MM/840/120V/D	6	120	T3	R7S	4000K	600	80	3.07	0.98	15K	045923112218	48
S11222	10W/LED/T3/118MM/830/120V/D	10	120	T3	R7S	3000K	1200	80	4.65	0.98	15K	045923112225	48
S11223	10W/LED/T3/118MM/840/120V/D	10	120	T3	R7S	4000K	1200	80	4.65	0.98	15K	045923112232	48

^ For minimum compartment size of enclosed fixture visit www.satco.com

Product sheet SA2520

FULL SPECTRUM LED GROW LIGHTS

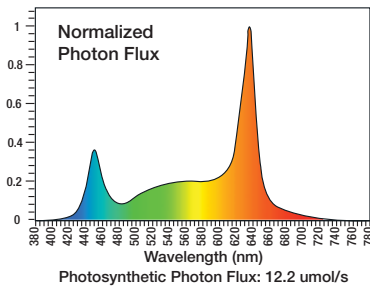


Features:

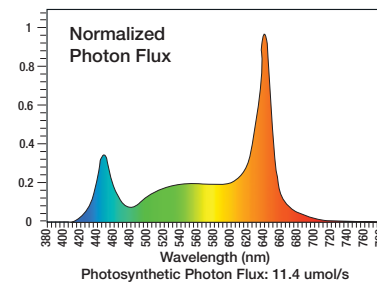
- Standard A19, BR30 AND PAR38 lamp shapes with E26 base
- Red spectrum fortified for increased budding and flowering
- Wet location rated
- Light intensity: 21 PAR/PPF
- 3 Year warranty



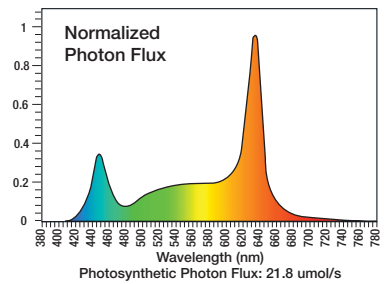
LED 9W A19 GROW LIGHT



LED 9W BR30 GROW LIGHT



LED 16W PAR38 GROW LIGHT



Item	Description	W	V	Bulb Shape	Base	CCT	CRI	MOL (in.)	MOD (in.)	Life (hrs.)	UPC	Pack
S11440	9A19/LED/GROW/120V	9	120	A19	E26	3000K	80	4.41	2.36	15K	045923114403	48
S11441	9BR30/LED/GROW/120V	9	120	BR30	E26	4000K	80	5.12	3.70	15K	045923114410	12
S11442	16PAR38/LED/GROW/120V	16	120	PAR38	E26	3000K	80	5.00	4.72	15K	045923114427	12

Product sheet SA2470

LED LINEAR T10 LAMPS

Features:

Energy efficient alternative to traditional 35W, 60W and 150W T10 linear incandescent lamps use only 5W, 7W and 13W

Direct replacements for LN35, LN60 and LN150 lamps

Full PC material (bulb opaque)

Simple installation—no ballasts or transformers required

S14S Base

Dimmable

2700K

Long life—30,000 hours

5 Year warranty



Item	Description	W	V	Bulb Shape	Base	Finish	CCT	Lm	CRI	MOL (in.)	MOD (in.)	Life (hrs.)	UPC	Pack
S8191	LED LN35 2700K 11.8" DIM	5	120	T10	S14S	FR	2700K	330	80	11.81	1.25	30K	045923081910	12
S8189	LED LN60 2700K 19.68" DIM	7	120	T10	S14S	FR	2700K	500	80	19.69	1.25	30K	045923081897	12
S8190	LED LN150 2700K 39.37 DIM	13	120	T10	S14S	FR	2700K	1000	80	39.37	1.25	30K	045923081903	12

Product sheet SA2427

LED SQUAT CFL LAMP REPLACEMENT WITH GU24 BASE

Features:

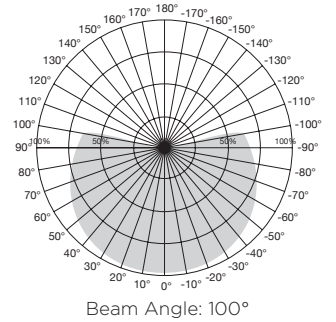
- Direct replacement for squat GU24-based CFL lamps
- 13 Watt CFL replacement uses only 9.5 Watts (60W incandescent)
- 18 Watt CFL replacement uses only 12 Watts (75W incandescent)
- GU24 base
- Uniform luminance pattern
- 2700K and 4000K options
- 90 CRI
- Approved for totally enclosed fixtures[^]
- Damp location
- Long life—25,000 hours
- 5 Year warranty

Applications:

- Indoor residential and commercial lighting
- Utility fixtures
- Closet lighting



Replacement for CFL in Satco squat fixtures:
 90-2615
 90-2616
 90-2631
 90-2632



Item	Description	W	V	Bulb Shape	Base	Finish	CCT	Lm	CRI	MOL (in.)	MOD (in.)	Life (hrs.)	UPC	Pack
S11540	9.5W/SQUAT/LED/27K/GU24	9.5	120	T3	GU24	FR	2700K	800	90	2.81	2.75	25K	045923115400	24/6
S11541	9.5W/SQUAT/LED/40K/GU24	9.5	120	T3	GU24	FR	4000K	800	90	2.81	2.75	25K	045923015410	24/6
S11542	12W/SQUAT/LED/27K/GU24	12	120	T3	GU24	FR	2700K	1100	90	2.81	2.75	25K	045923115424	24/6
S11543	12W/SQUAT/LED/40K/GU24	12	120	T3	GU24	FR	4000K	1100	90	2.81	2.75	25K	045923115431	24/6

Average rated life may vary depending on application, use, fixture type and environment
[^] See warranty for details at www.satco.com

Product sheet SA2614

R20, BR30 & BR40 LED REFLECTORS



R20 Features:

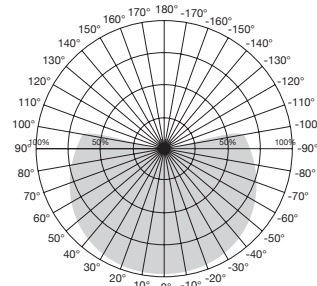
- 50R20 replacement uses only up to 6.5 Watts
- Indoor residential and commercial lighting
- Dimmable
- Damp location
- Long life—25,000 hours
- ENERGY STAR certified*
- 5 Year warranty
- CEC T20/T24

BR30 Features:

- 65BR30 replacement uses only up to 9.5 Watts
- Indoor residential and commercial lighting
- Display lighting
- New one piece, lighter weight design
- Dimmable
- Long life—25,000 hours
- ENERGY STAR certified
- 5 Year warranty
- CEC T20/T24



R20 LED REFLECTORS 80 & 90 CRI



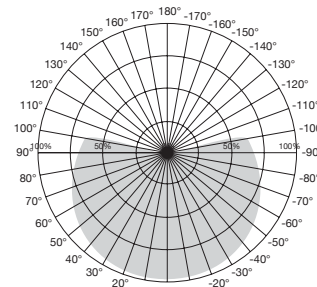
Beam Angle: 107°



Item	Description	W	V	Bulb Shape	Base	Housing Finish	CCT	Lm	CRI	Beam	MOL (in.)	MOD (in.)	Life (hrs.)	UPC	Pack
S9630*	6.5R20/LED/2700K/525L/120V	6.5	120	R20	E26	GRAY	2700K	525	80	107°	3.94	2.50	25K	045923096303	24/6
S9631*	6.5R20/LED/3000K/525L/120V	6.5	120	R20	E26	GRAY	3000K	525	80	107°	3.94	2.50	25K	045923096310	24/6
S9632*	6.5R20/LED/4000K/525L/120V	6.5	120	R20	E26	GRAY	4000K	525	80	107°	3.94	2.50	25K	045923096327	24/6
S9633*	6.5R20/LED/5000K/525L/120V	6.5	120	R20	E26	GRAY	5000K	525	80	107°	3.94	2.50	25K	045923096334	24/6
90 CRI—CEC/T20															
S29614*	6R20/LED/927/120V	6	120	R20	E26	GRAY	2700K	525	90+	107°	3.94	2.50	25K	045923296147	24/6
S28577*	6R20/LED/930/120V	6	120	R20	E26	GRAY	3000K	525	90+	107°	3.94	2.50	25K	045923285776	24/6
S28491*	6R20/LED/940/120V	6	120	R20	E26	GRAY	4000K	525	90+	107°	3.94	2.50	25K	045923284915	24/6
S28619*	6R20/LED/950/120V	6	120	R20	E26	GRAY	5000K	525	90+	107°	3.94	2.50	25K	045923286193	24/6

Product sheet SA2629

BR30 LED REFLECTORS 80 & 90 CRI



Beam Angle: 105°



Item	Description	W	V	Bulb Shape	Base	Housing Finish	CCT	Lm	CRI	Beam	MOL (in.)	MOD (in.)	Life (hrs.)	UPC	Pack
S9620*	9.5BR30/LED/2700K/750L/120V/D	9.5	120	BR30	E26	GRAY	2700K	750	80	105°	5.19	3.75	25K	045923096204	12/6
S9621*	9.5BR30/LED/3000K/750L/120V/D	9.5	120	BR30	E26	GRAY	3000K	750	80	105°	5.19	3.75	25K	045923096211	12/6
S9622*	9.5BR30/LED/4000K/750L/120V/D	9.5	120	BR30	E26	GRAY	4000K	750	80	105°	5.19	3.75	25K	045923096228	12/6
S9623*	9.5BR30/LED/5000K/750L/120V/D	9.5	120	BR30	E26	GRAY	5000K	750	80	105°	5.19	3.75	25K	045923096235	12/6
S9624	9.5BR30/LED/27K/GU24/750L/120V	9.5	120	BR30	GU24	GRAY	2700K	750	80	105°	4.94	3.75	25K	045923096242	12/6
S9627	9.5BR30/LED/30K/GU24/750L/120V	9.5	120	BR30	GU24	GRAY	3000K	750	80	105°	4.94	3.75	25K	045923096273	12/6
90 CRI—CEC/T20															
S29625*	7.5BR30/LED/927/120V	7.5	120	BR30	E26	GRAY	2700K	650	90+	105°	5.19	3.75	25K	045923296253	12/6
S28578*	7.5BR30/LED/930/120V	7.5	120	BR30	E26	GRAY	3000K	650	90+	105°	5.19	3.75	25K	045923285783	12/6
S28547*	7.5BR30/LED/935/120V	7.5	120	BR30	E26	GRAY	3500K	650	90+	105°	5.19	3.75	25K	045923285479	12/6
S28492*	7.5BR30/LED/940/120V	7.5	120	BR30	E26	GRAY	4000K	650	90+	105°	5.19	3.75	25K	045923284922	12/6
S28596*	7.5BR30/LED/950/120V	7.5	120	BR30	E26	GRAY	5000K	650	90+	105°	5.19	3.75	25K	045923285967	12/6
S11333*	7.5BR30/LED/927/120V/2PK	7.5	120	BR30	E26	GRAY	2700K	650	90	105°	5.16	3.74	25K	045923113338	12/6
S29626*	7.5BR30/LED/927/GU24/120V	7.5	120	BR30	GU24	GRAY	2700K	650	90+	105°	5.19	3.75	25K	045923296260	12/6
S28579*	7.5BR30/LED/930/GU24/120V	7.5	120	BR30	GU24	GRAY	3000K	650	90+	105°	5.19	3.75	25K	045923285790	12/6

Product sheet SA1784

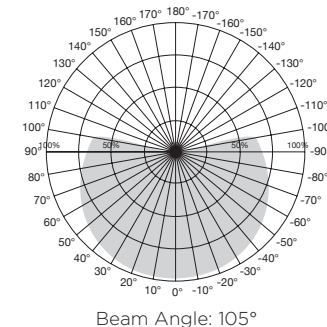
8W BR30 LED 2-PACK DISPLAY

Features:

- 65 Watt replacement uses only 8 Watts
- Indoor residential and commercial lighting
- Great for retail end caps or counter areas
- 2700K
- Dimmable
- Damp location
- High efficiency
- Long life—25,000 hours
- ENERGY STAR certified
- 5 Year warranty



Sold 24 2-pks per display



Item	Description	W	V	Bulb Shape	Base	Housing Finish	CCT	Lm	CRI	Beam	MOL (in.)	MOD (in.)	Life (hrs.)	UPC	Pack
S9698	8BR30/LED/2700K/650L/2PK	8	120	BR30	E26	GRAY	2700K	650	80	105°	5.19	3.75	25K	045923096983	24-2pks

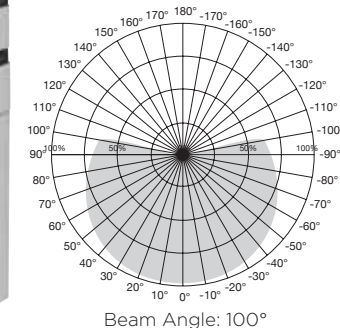
Must be ordered in full cases only.

Product sheet SA2042

BR30 LED REFLECTOR DISPLAY PACKS

Features:

- 65W BR30 replacement uses up to 10 Watts
- Indoor residential and commercial lighting
- 2700K
- Dimmable
- Damp location
- Long life—25,000 hours
- ENERGY STAR certified*
- 3 Year warranty



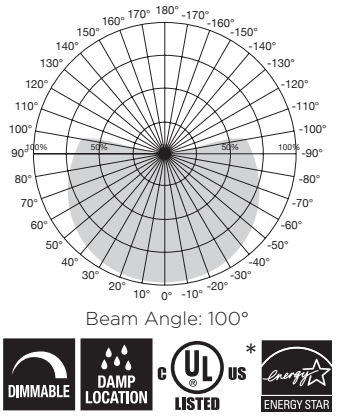
Item	Description	W	V	Bulb Shape	Base	Housing Finish	CCT	Lm	CRI	Beam	MOL (in.)	MOD (in.)	Life (hrs.)	UPC	Pack
Display Pack															
S29628*	10BR30/LED/2700K/700L/120V/D	10	120	BR30	E26	WH	2700K	700	80+	100°	5.13	3.75	25K	045923296284	48/6

Product sheet SA2281

BR30 LED REFLECTOR 6 PACKS



6 pack
Contractor Pack



Item	Description	W	V	Bulb Shape	Base	Housing Finish	CCT	Lm	CRI	Beam	MOL (in.)	MOD (in.)	Life (hrs.)	UPC	Pack
6 Packs															
S9021*	10BR30/LED/827/120V/6PK	10	120	BR30	E26	GRAY	2700K	700	80	100°	5.13	3.75	25K	045923090219	4-6pks
S9022*	10BR30/LED/830/120V/6PK	10	120	BR30	E26	GRAY	3000K	700	80	100°	5.13	3.75	25K	045923090226	4-6pks
S9029*	10BR30/LED/840/120V/6PK	10	120	BR30	E26	GRAY	4000K	700	80	100°	5.13	3.75	25K	045923090295	4-6pks
S9058*	10BR30/LED/850/120V/6PK	10	120	BR30	E26	GRAY	5000K	700	80	100°	5.12	3.70	25K	045923090585	4-6pks

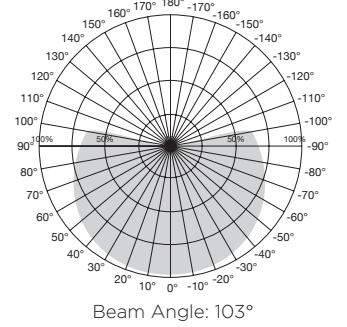
90 CRI—CEC/T20															
S11420*	8.7BR30/LED/927/120V/90CRI/6PK	8.7	120	BR30	E26	GRAY	2700K	700	90	100°	5.13	3.75	25K	045923114205	4-6pks

Must be ordered in full cases only. Product sheet SA2281

11.5W, 13W & 16.5W BR40 LED REFLECTORS 80 & 90 CRI

Features:

- 65W BR40 replacement uses only up to 13 Watts
- 85W BR40 replacement uses only 16.5 Watts
- Indoor residential and commercial lighting
- Dimmable
- Damp location
- Long life—25,000 hours
- ENERGY STAR certified*
- 5 Year warranty



Item	Description	W	V	Bulb Shape	Base	Housing Finish	CCT	Lm	CRI	Beam	MOL (in.)	MOD (in.)	Life (hrs.)	UPC	Pack
S9634	11.5BR40/LED/2700K/940L/120V	11.5	120	BR40	E26	GRAY	2700K	940	80	103°	6.44	5.00	25K	045923096341	12/6
S9635	11.5BR40/LED/3000K/940L/120V	11.5	120	BR40	E26	GRAY	3000K	940	80	103°	6.44	5.00	25K	045923096358	12/6
S9636	11.5BR40/LED/4000K/940L/120V	11.5	120	BR40	E26	GRAY	4000K	940	80	103°	6.44	5.00	25K	045923096365	12/6
S9637	11.5BR40/LED/5000K/940L/120V	11.5	120	BR40	E26	GRAY	5000K	940	80	103°	6.44	5.00	25K	045923096372	12/6
S9638	16.5BR40/LED/2700K/1200L/120V	16.5	120	BR40	E26	GRAY	2700K	1200	80	103°	6.44	5.00	25K	045923096389	12/6
S9639	16.5BR40/LED/3000K/1200L/120V	16.5	120	BR40	E26	GRAY	3000K	1200	80	103°	6.44	5.00	25K	045923096396	12/6
S9640	16.5BR40/LED/4000K/1200L/120V	16.5	120	BR40	E26	GRAY	4000K	1200	80	103°	6.44	5.00	25K	045923096402	12/6
S9641	16.5BR40/LED/5000K/1200L/120V	16.5	120	BR40	E26	GRAY	5000K	1200	80	103°	6.44	5.00	25K	045923096419	12/6

90 CRI—CEC/T20															
S29615	13BR40/LED/927/120V	13	120	BR40	E26	GRAY	2700K	1075	90+	103°	6.44	5.00	25K	045923296154	12/6
S28580	13BR40/LED/930/120V	13	120	BR40	E26	GRAY	3000K	1075	90+	103°	6.44	5.00	25K	045923285806	12/6
S28493	13BR40/LED/940/120V	13	120	BR40	E26	GRAY	4000K	1075	90+	103°	6.44	5.00	25K	045923284939	12/6
S28597	13BR40/LED/950/120V	13	120	BR40	E26	GRAY	5000K	1075	90+	103°	6.44	5.00	25K	045923285974	12/6

Product sheet SA1812

PAR 20, PAR 30 AMBER LAMPS "Turtle Friendly"



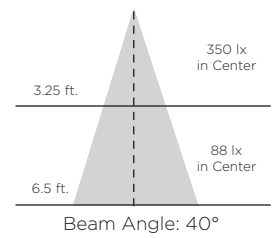
Features:

- Amber color -
Sea turtle friendly
- Operating temperature
- 13°F to 113°F (-25°C to
45°C)
- Halogen PAR LED
Replacement
- Long Life - 25,000 hours

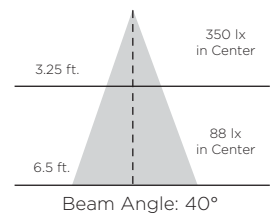




ILLUMINATION (PAR 20)



ILLUMINATION (PAR 30)



Item	Description	W	V	Bulb Shape	Base	Housing Finish	CCT	Lm	NM	Beam	MOL (in.)	MOD (in.)	Life (hrs.)	UPC	Pack
S39188	6.5PAR20/LED/40'/AMBER	6.5	120	PAR20	E26	WH	AMB	150	590	40°	3.23	2.48	25K	045923391880	24/6
S29189	8PAR30/LED/40'/AMBER	8	120	PAR30	E26	WH	AMB	280	590	40°	4.57	3.74	25K	045923291890	24/6

Product sheet SA1641

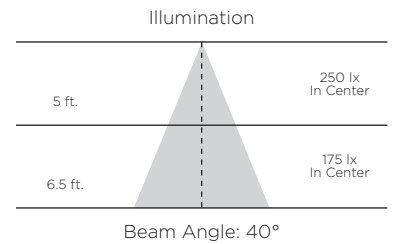
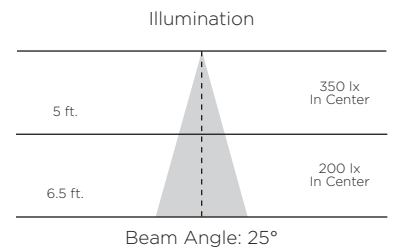
SILVER PAR SERIES



Features:

- Silver colored reflector
- Traditional lens
- Indoor/outdoor/wet location
- Dimmable
- 25°, 40° and 60° Beam spreads
- 2700K, 3000K, 3500K, 4000K and 5000K
- 90 CRI

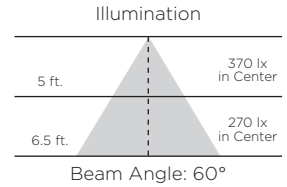
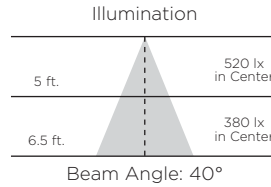
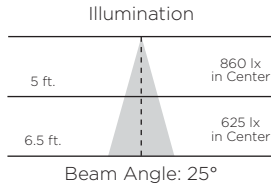
PAR 20



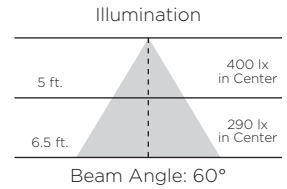
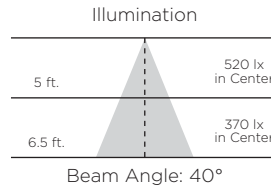
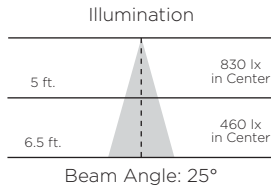
Item	Description	W	V	Bulb Shape	Base	Housing Finish	CCT	Lm	CRI	Beam	MOL (in.)	MOD (in.)	Life (hrs.)	UPC	Pack
PAR20 6.5W LED - 50W Replacement															
S29400	6.5PAR20/LED/25'/927/120V	6.5	120	PAR20	E26	SLVR	2700K	520	90	25°	2.99	2.44	25K	045923294006	24/6
S29401	6.5PAR20/LED/25'/930/120V	6.5	120	PAR20	E26	SLVR	3000K	520	90	25°	2.99	2.44	25K	045923294013	24/6
S29402	6.5PAR20/LED/25'/935/120V	6.5	120	PAR20	E26	SLVR	3500K	520	90	25°	2.99	2.44	25K	045923294020	24/6
S29403	6.5PAR20/LED/25'/940/120V	6.5	120	PAR20	E26	SLVR	4000K	520	90	25°	2.99	2.44	25K	045923294037	24/6
S29404	6.5PAR20/LED/25'/950/120V	6.5	120	PAR20	E26	SLVR	5000K	520	90	25°	2.99	2.44	25K	045923294044	24/6
S29405	6.5PAR20/LED/40'/927/120V	6.5	120	PAR20	E26	SLVR	2700K	520	90	40°	2.99	2.44	25K	045923294051	24/6
S29406	6.5PAR20/LED/40'/930/120V	6.5	120	PAR20	E26	SLVR	3000K	520	90	40°	2.99	2.44	25K	045923294068	24/6
S29407	6.5PAR20/LED/40'/935/120V	6.5	120	PAR20	E26	SLVR	3500K	520	90	40°	2.99	2.44	25K	045923294075	24/6
S29408	6.5PAR20/LED/40'/940/120V	6.5	120	PAR20	E26	SLVR	4000K	520	90	40°	2.99	2.44	25K	045923294082	24/6
S29409	6.5PAR20/LED/40'/950/120V	6.5	120	PAR20	E26	SLVR	5000K	520	90	40°	2.99	2.44	25K	045923294099	24/6

^ For minimum compartment size of enclosed fixture visit www.satco.com

PAR30/SN



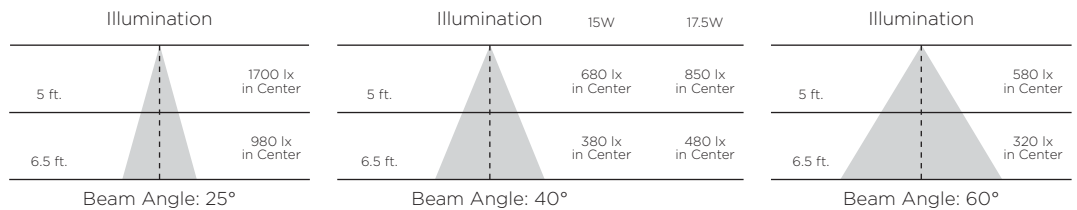
PAR30/LN



Item	Description	W	V	Bulb Shape	Base	Housing Finish	CCT	Lm	CRI	Beam	MOL (in.)	MOD (in.)	Life (hrs.)	UPC	Pack
PAR30 Short Neck 12.5W LED - 75W Replacement															
S29410	12.5PAR30/SN/LED/25°/927/120V	12.5	120	PAR30SN	E26	SLVR	2700K	1000	90	25°	3.70	3.74	25K	045923294105	12/6
S29411	12.5PAR30/SN/LED/25°/930/120V	12.5	120	PAR30SN	E26	SLVR	3000K	1000	90	25°	3.70	3.74	25K	045923294112	12/6
S29412	12.5PAR30/SN/LED/25°/935/120V	12.5	120	PAR30SN	E26	SLVR	3500K	1000	90	25°	3.70	3.74	25K	045923294129	12/6
S29413	12.5PAR30/SN/LED/25°/940/120V	12.5	120	PAR30SN	E26	SLVR	4000K	1000	90	25°	3.70	3.74	25K	045923294136	12/6
S29414	12.5PAR30/SN/LED/25°/950/120V	12.5	120	PAR30SN	E26	SLVR	5000K	1000	90	25°	3.70	3.74	25K	045923294143	12/6
S29415	12.5PAR30/SN/LED/40°/927/120V	12.5	120	PAR30SN	E26	SLVR	2700K	1000	90	40°	3.70	3.74	25K	045923294150	12/6
S29416	12.5PAR30/SN/LED/40°/930/120V	12.5	120	PAR30SN	E26	SLVR	3000K	1000	90	40°	3.70	3.74	25K	045923294167	12/6
S29417	12.5PAR30/SN/LED/40°/935/120V	12.5	120	PAR30SN	E26	SLVR	3500K	1000	90	40°	3.70	3.74	25K	045923294174	12/6
S29418	12.5PAR30/SN/LED/40°/940/120V	12.5	120	PAR30SN	E26	SLVR	4000K	1000	90	40°	3.70	3.74	25K	045923294181	12/6
S29419	12.5PAR30/SN/LED/40°/950/120V	12.5	120	PAR30SN	E26	SLVR	5000K	1000	90	40°	3.70	3.74	25K	045923294198	12/6
S29420	12.5PAR30/SN/LED/60°/927/120V	12.5	120	PAR30SN	E26	SLVR	2700K	1000	90	60°	3.70	3.74	25K	045923294204	12/6
S29421	12.5PAR30/SN/LED/60°/930/120V	12.5	120	PAR30SN	E26	SLVR	3000K	1000	90	60°	3.70	3.74	25K	045923294211	12/6
S29422	12.5PAR30/SN/LED/60°/935/120V	12.5	120	PAR30SN	E26	SLVR	3500K	1000	90	60°	3.70	3.74	25K	045923294228	12/6
S29423	12.5PAR30/SN/LED/60°/940/120V	12.5	120	PAR30SN	E26	SLVR	4000K	1000	90	60°	3.70	3.74	25K	045923294235	12/6
S29424	12.5PAR30/SN/LED/60°/950/120V	12.5	120	PAR30SN	E26	SLVR	5000K	1000	90	60°	3.70	3.74	25K	045923294242	12/6
PAR30 Long Neck 12.5W LED - 75W Replacement															
S29425	12.5PAR30/LN/LED/25°/927/120V	12.5	120	PAR30LN	E26	SLVR	2700K	1000	90	25°	4.57	3.74	25K	045923294259	12/6
S29426	12.5PAR30/LN/LED/25°/930/120V	12.5	120	PAR30LN	E26	SLVR	3000K	1000	90	25°	4.57	3.74	25K	045923294266	12/6
S29427	12.5PAR30/LN/LED/25°/935/120V	12.5	120	PAR30LN	E26	SLVR	3500K	1000	90	25°	4.57	3.74	25K	045923294273	12/6
S29428	12.5PAR30/LN/LED/25°/940/120V	12.5	120	PAR30LN	E26	SLVR	4000K	1000	90	25°	4.57	3.74	25K	045923294280	12/6
S29429	12.5PAR30/LN/LED/25°/950/120V	12.5	120	PAR30LN	E26	SLVR	5000K	1000	90	25°	4.57	3.74	25K	045923294297	12/6
S29430	12.5PAR30/LN/LED/40°/927/120V	12.5	120	PAR30LN	E26	SLVR	2700K	1000	90	40°	4.57	3.74	25K	045923294303	12/6
S29431	12.5PAR30/LN/LED/40°/930/120V	12.5	120	PAR30LN	E26	SLVR	3000K	1000	90	40°	4.57	3.74	25K	045923294310	12/6
S29432	12.5PAR30/LN/LED/40°/935/120V	12.5	120	PAR30LN	E26	SLVR	3500K	1000	90	40°	4.57	3.74	25K	045923294327	12/6
S29433	12.5PAR30/LN/LED/40°/940/120V	12.5	120	PAR30LN	E26	SLVR	4000K	1000	90	40°	4.57	3.74	25K	045923294334	12/6
S29434	12.5PAR30/LN/LED/40°/950/120V	12.5	120	PAR30LN	E26	SLVR	5000K	1000	90	40°	4.57	3.74	25K	045923294341	12/6
S29435	12.5PAR30/LN/LED/60°/927/120V	12.5	120	PAR30LN	E26	SLVR	2700K	1000	90	60°	4.57	3.74	25K	045923294358	12/6
S29436	12.5PAR30/LN/LED/60°/930/120V	12.5	120	PAR30LN	E26	SLVR	3000K	1000	90	60°	4.57	3.74	25K	045923294365	12/6
S29437	12.5PAR30/LN/LED/60°/935/120V	12.5	120	PAR30LN	E26	SLVR	3500K	1000	90	60°	4.57	3.74	25K	045923294372	12/6
S29438	12.5PAR30/LN/LED/60°/940/120V	12.5	120	PAR30LN	E26	SLVR	4000K	1000	90	60°	4.57	3.74	25K	045923294389	12/6
S29439	12.5PAR30/LN/LED/60°/950/120V	12.5	120	PAR30LN	E26	SLVR	5000K	1000	90	60°	4.57	3.74	25K	045923294396	12/6

^ For minimum compartment size of enclosed fixture visit www.satco.com

PAR38



Item	Description	W	V	Bulb Shape	Base	Housing Finish	CCT	Lm	CRI	Beam	MOL (in.)	MOD (in.)	Life (hrs.)	UPC	Pack
PAR 38 15W LED - 90W Replacement															
S29440	15PAR38/LED/25'/927/120V	15	120	PAR38	E26	SLVR	2700K	1200	90	25°	5.00	4.72	25K	045923294402	12/6
S29441	15PAR38/LED/25'/930/120V	15	120	PAR38	E26	SLVR	3000K	1200	90	25°	5.00	4.72	25K	045923294419	12/6
S29442	15PAR38/LED/25'/935/120V	15	120	PAR38	E26	SLVR	3500K	1200	90	25°	5.00	4.72	25K	045923294426	12/6
S29443	15PAR38/LED/25'/940/120V	15	120	PAR38	E26	SLVR	4000K	1200	90	25°	5.00	4.72	25K	045923294433	12/6
S29444	15PAR38/LED/25'/950/120V	15	120	PAR38	E26	SLVR	5000K	1200	90	25°	5.00	4.72	25K	045923294440	12/6
S29445	15PAR38/LED/40'/927/120V	15	120	PAR38	E26	SLVR	2700K	1200	90	40°	5.00	4.72	25K	045923294457	12/6
S29446	15PAR38/LED/40'/930/120V	15	120	PAR38	E26	SLVR	3000K	1200	90	40°	5.00	4.72	25K	045923294464	12/6
S29447	15PAR38/LED/40'/935/120V	15	120	PAR38	E26	SLVR	3500K	1200	90	40°	5.00	4.72	25K	045923294471	12/6
S29448	15PAR38/LED/40'/940/120V	15	120	PAR38	E26	SLVR	4000K	1200	90	40°	5.00	4.72	25K	045923294488	12/6
S29449	15PAR38/LED/40'/950/120V	15	120	PAR38	E26	SLVR	5000K	1200	90	40°	5.00	4.72	25K	045923294495	12/6
S29450	15PAR38/LED/60'/927/120V	15	120	PAR38	E26	SLVR	2700K	1200	90	60°	5.00	4.72	25K	045923294501	12/6
S29451	15PAR38/LED/60'/930/120V	15	120	PAR38	E26	SLVR	3000K	1200	90	60°	5.00	4.72	25K	045923294518	12/6
S29452	15PAR38/LED/60'/935/120V	15	120	PAR38	E26	SLVR	3500K	1200	90	60°	5.00	4.72	25K	045923294525	12/6
S29453	15PAR38/LED/60'/940/120V	15	120	PAR38	E26	SLVR	4000K	1200	90	60°	5.00	4.72	25K	045923294532	12/6
S29454	15PAR38/LED/60'/950/120V	15	120	PAR38	E26	SLVR	5000K	1200	90	60°	5.00	4.72	25K	045923294549	12/6
PAR38 15W LED 2 Pack - Non-Dimmable - 90W Replacement															
S29457	15PAR38/LED/60'/930/120V/ND/2P	15	120	PAR38	E26	SLVR	3000K	1200	90	60°	5.00	4.72	25K	045923294570	8-2pks
PAR38 17.5W LED - 120W Replacement															
S29455	17.5PAR38/LED/40'/930/120V	17.5	120	PAR38	E26	SLVR	3000K	1400	90	40°	5.00	4.72	25K	045923294556	12/6
S29456	17.5PAR38/LED/40'/940/120V	17.5	120	PAR38	E26	SLVR	4000K	1400	90	40°	5.00	4.72	25K	045923294563	12/6

^ For minimum compartment size of enclosed fixture visit www.satco.com

PAR 20, 30 & 38 LAMPS - ECONO SERIES

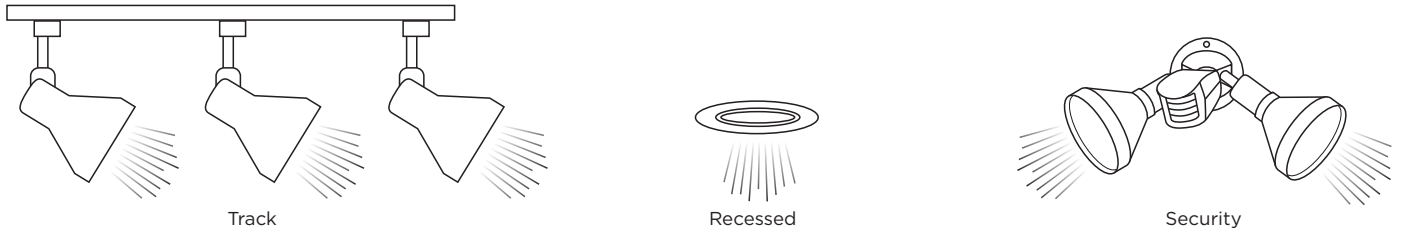


Features:

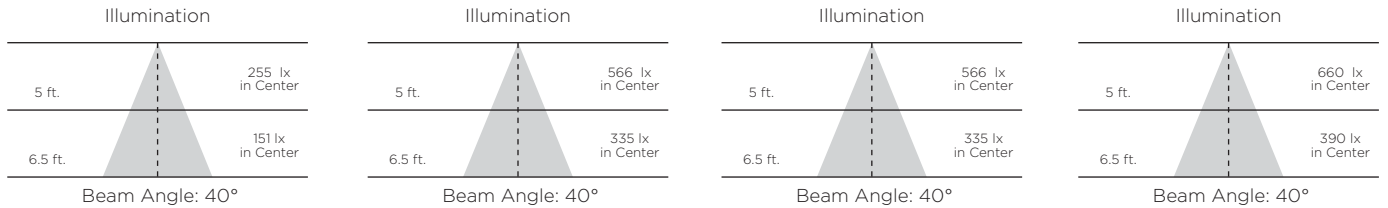
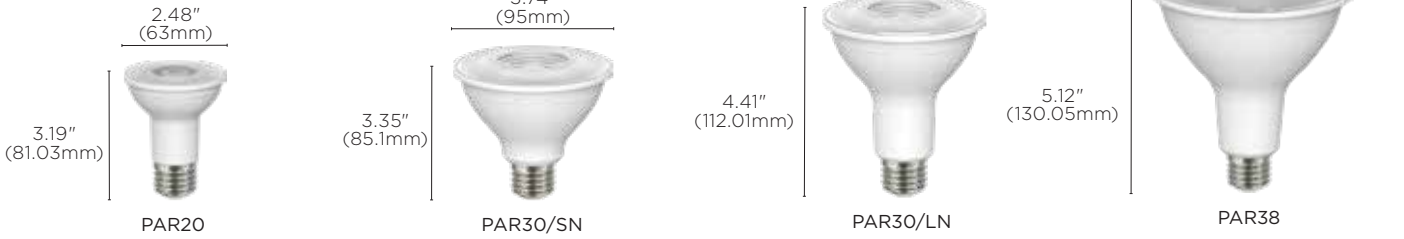
- 90 CRI - Superior light
- Indoor/outdoor
- Dimmable
- 40° Beam angle
- 3000K and 4000K



APPLICATIONS



DIMENSIONS



Item	Description	W	V	Bulb Shape	Base	Housing Finish	CCT	Lm	CRI	Beam	MOL (in.)	MOD (in.)	Life (hrs.)	UPC	Pack
PAR20 - 50W Replacement															
S22210	5.5PAR20/LED/930/FL/120V	5.5	120	PAR20	E26	WH	3000K	500	90	40°	3.19	2.48	15K	045923210433	24/6
S22211	5.5PAR20/LED/940/FL/120V	5.5	120	PAR20	E26	WH	4000K	500	90	40°	3.19	2.48	15K	045923210440	24/6
PAR30 - 75W Replacement															
S22212	8.5PAR30S/LED/930/FL/120V	8.5	120	PAR 30S	E26	WH	3000K	700	90	40°	3.35	3.74	15K	045923210457	12/6
S22213	8.5PAR30S/LED/940/FL/120V	8.5	120	PAR 30S	E26	WH	4000K	700	90	40°	3.35	3.74	15K	045923210464	12/6
S22214	8.5PAR30L/LED/930/FL/120V	8.5	120	PAR 30L	E26	WH	3000K	700	90	40°	4.41	3.74	15K	045923210471	12/6
S22215	8.5PAR30L/LED/940/FL/120V	8.5	120	PAR 30L	E26	WH	4000K	700	90	40°	4.41	3.74	15K	045923210488	12/6
S22218	8.5PAR30L/LED/930/FL/120V/2PK	8.5	120	PAR 30L	E26	WH	3000K	700	90	40°	4.41	3.74	15K	045923210518	8-2pks
PAR38 - 90W Replacement															
S22216	11.5PAR38/LED/930/FL/120V	11.5	120	PAR 38	E26	WH	3000K	1000	90	40°	5.12	4.76	15K	045923210495	12/6
S22217	11.5PAR38/LED/940/FL/120V	11.5	120	PAR 38	E26	WH	4000K	1000	90	40°	5.12	4.76	15K	045923210501	12/6
S22219	11.5PAR38/LED/930/FL/120V/2PK	11.5	120	PAR 38	E26	WH	3000K	1000	90	40°	5.12	4.76	15K	045923210525	8-2pks

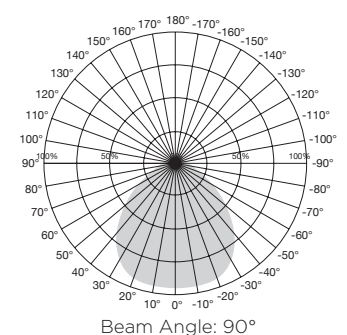
^ For minimum compartment size of enclosed fixture visit www.satco.com

LED PAR38 COLORS



Features:

- High efficiency—uses only 11.5 Watts
- Improved color
- Superior design
- Indoor/outdoor
- Dimmable



Item	Description	W	V	Bulb Shape	Base	Lens Finish	CRI	Beam	MOL (in.)	MOD (in.)	Life (hrs.)	UPC	Pack
S29480	11.5PAR38/LED/90'/RED	11.5	120	PAR38	E26	RED	80	90°	5.20	4.75	15K	045923294808	12/6
S29481	11.5PAR38/LED/90'/GREEN	11.5	120	PAR38	E26	GRN	80	90°	5.20	4.75	15K	045923294815	12/6
S29482	11.5PAR38/LED/90'/BLUE	11.5	120	PAR38	E26	BLUE	80	90°	5.20	4.75	15K	045923294822	12/6
S29483	11.5PAR38/LED/90'/AMBER	11.5	120	PAR38	E26	AMB	80	90°	5.20	4.75	15K	045923294839	12/6
S29484	11.5PAR38/LED/90'/YELLOW	11.5	120	PAR38	E26	YLW	80	90°	5.20	4.75	15K	045923294846	12/6

*Visit www.satco.com for compatible dimmers. ^ For minimum compartment size of enclosed fixture visit www.satco.com Product sheet SA2794

HIGH LUMEN LED PAR 30 & PAR 38 LAMPS



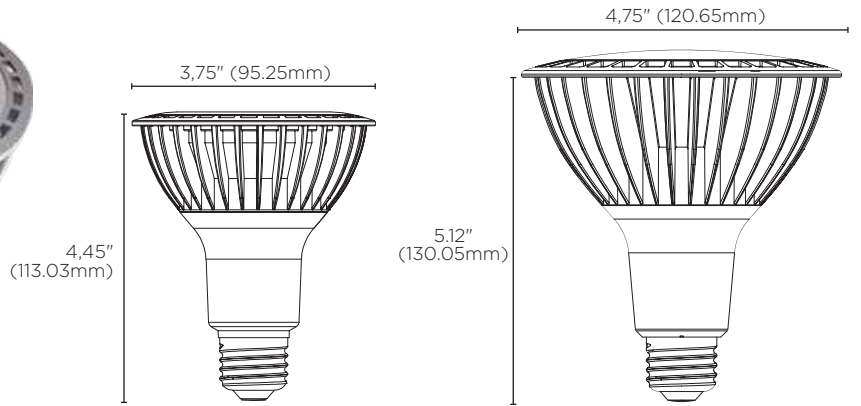
Features:

- Silver reflector
- Wet location - indoor/outdoor
- 120V Dimmable version
- 120V -277V Range voltage / Non-dimmable version
- Multiple CCT options

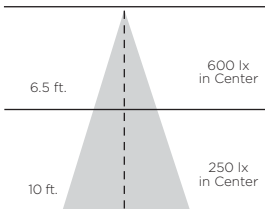
Applications:

- Indoor residential and commercial lighting
- Down lighting
- Accent lighting
- Pendant lighting



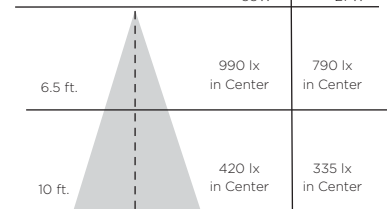


PAR30 Illumination



Beam Angle: 40°

PAR38 Illumination



Beam Angle: 40°



Item	Description	W	V	Bulb Shape	Base	Housing Finish	CCT	Lm	CRI	Beam	MOL (in.)	MOD (in.)	Life (hrs.)	UPC	Pack
120 VOLT Dimmable															
S22240 [†]	20.5PAR30LN/LED/927/HL/120V/FL	20.5	120	PAR30LN	E26	SLVR	2700K	1800	90	40°	4.45	3.75	25K	045923222405	12/6
S22241 [†]	20.5PAR30LN/LED/930/HL/120V/FL	20.5	120	PAR30LN	E26	SLVR	3000K	1800	90	40°	4.45	3.75	25K	045923222412	12/6
S22242 [†]	20.5PAR30LN/LED/940/HL/120V/FL	20.5	120	PAR30LN	E26	SLVR	4000K	1800	90	40°	4.45	3.75	25K	045923222429	12/6
S22243 [†]	20.5PAR30LN/LED/950/HL/120V/FL	20.5	120	PAR30LN	E26	SLVR	5000K	1800	90	40°	4.45	3.75	25K	045923222436	12/6
S22250 [†]	33PAR38/LED/927/HL/120V/FL/D	33	120	PAR38	E26	SLVR	2700K	3000	90	40°	5.12	4.75	25K	045923222504	12/6
S22251 [†]	33PAR38/LED/930/HL/120V/FL/D	33	120	PAR38	E26	SLVR	3000K	3000	90	40°	5.12	4.75	25K	045923222511	12/6
S22252 [†]	33PAR38/LED/940/HL/120V/FL/D	33	120	PAR38	E26	SLVR	4000K	3000	90	40°	5.12	4.75	25K	045923222528	12/6
S22253 [†]	33PAR38/LED/950/HL/120V/FL/D	33	120	PAR38	E26	SLVR	5000K	3000	90	40°	5.12	4.75	25K	045923222535	12/6
120-277 VOLT Non-Dimmable															
S29764 [▲]	21.5PAR30LN/LED/930/HL/120-277	21.5	120-277	PAR30LN	E26	SLVR	3000K	1800	90	40°	4.45	3.74	25K	045923297649	12/6
S29765 [▲]	21.5PAR30LN/LED/940/HL/120-277	21.5	120-277	PAR30LN	E26	SLVR	4000K	1800	90	40°	4.45	3.74	25K	045923297656	12/6
S29760 [▲]	27PAR38/LED/930/HL/120-277V	27	120-277	PAR38	E26	SLVR	3000K	2400	90	40°	5.12	4.75	25K	045923297601	12/6
S29761 [▲]	27PAR38/LED/940/HL/120-277V	27	120-277	PAR38	E26	SLVR	4000K	2400	90	40°	5.12	4.75	25K	045923297618	12/6

Consult the Satco website for a complete, up to date list on compatible dimmers.

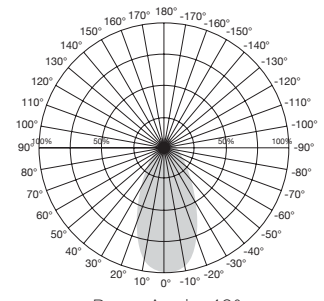
To prevent early lamp failure, lamp should only be installed in operating environments ranging from a minimum of -4°F (-20°C) to a maximum of 113°F (+45°C)

▲ For minimum compartment size of enclosed fixture visit www.satco.com

LED PAR16 LAMPS

Features:

- 45 Watt & 60Watt Halogen PAR16 lamp replacement uses only 4-6.5 Watts
- Dimmable
- Damp location
- Approved for totally enclosed fixtures ^
- Long life—25,000 hours
- 5 Year warranty



Beam Angle: 40°

Illumination at 3000K

	4.5W	6.5W
1m	525 lx in Center	730 lx in Center
2m	130 lx in Center	185 lx in Center

Beam Angle: 40°



Item	Description	W	V	Bulb Shape	Base	Housing Finish	CCT	Lm	CRI	Beam	MOL (in.)	MOD (in.)	Life (hrs.)	UPC	Pack
S9386	4.5PAR16/LED/40°/3000K/120V	4.5	120	PAR16	E26	WH	3000K	360	80	40°	2.88	2.00	25K	045923093869	48/12
S9387	4.5PAR16/LED/40°/5000K/120V	4.5	120	PAR16	E26	WH	5000K	360	80	40°	2.88	2.00	25K	045923093876	48/12
S9388*	6.5PAR16/LED/40°/3000K/120V	6.5	120	PAR16	E26	WH	3000K	500	80	40°	2.88	2.00	25K	045923093883	48/12
S9389	6.5PAR16/LED/40°/5000K/120V	6.5	120	PAR16	E26	WH	5000K	500	80	40°	2.88	2.00	25K	045923093890	48/12
90 CRI—CEC/T20															
S8585*	4PAR16/LED/40°/3K/120V/90CRI	4	120	PAR16	E26	WH	3000K	360	90+	40°	2.88	2.00	25K	045923085857	48/12

^ For minimum compartment size of enclosed fixture visit www.satco.com

Product sheet SA1744

1.6W & 3W, 12V LED MR11 LAMPS

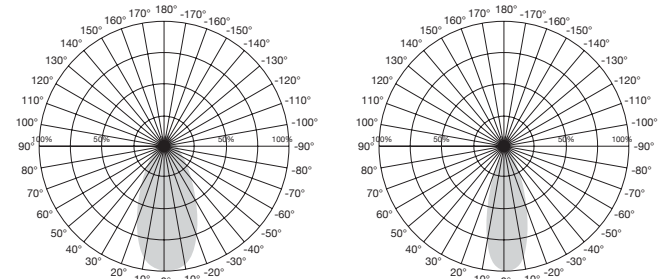
Features:

- 20 Watt MR11 replacement, uses up to 3 Watts
- Damp location
- Approved for totally enclosed fixtures ^
- Long life—25,000 hours
- 3 Year warranty



3MR11

1.6MR11



Beam Angle: 40°

Beam Angle: 25°

	2700K	3000K	4000K	5000K
1m	700 lx in Center	730 lx in Center	760 lx in Center	800 lx in Center
2m	175 lx in Center	183 lx in Center	190 lx in Center	200 lx in Center

Beam Angle: 25°



Item	Description	W	V	Bulb Shape	Base	Housing Finish	CCT	Lm	CRI	Beam	MOL (in.)	MOD (in.)	Life (hrs.)	UPC	Pack
S9550†	1.6MR11/LED/40°/3000K/12V	1.6	12	MR11	G4	CL	3000K	200	80	40°	1.56	1.31	25K	045923095504	200/20
S9551†	1.6MR11/LED/40°/5000K/12V	1.6	12	MR11	G4	CL	5000K	200	80	40°	1.56	1.31	25K	045923095511	200/20
S9280	3MR11/LED/25°/2700K/12V	3	12	MR11	GU4	WH	2700K	210	80	25°	1.50	1.38	25K	045923092800	48/12
S9281	3MR11/LED/25°/3000K/12V	3	12	MR11	GU4	WH	3000K	210	80	25°	1.50	1.38	25K	045923092817	48/12
S9282	3MR11/LED/25°/4000K/12V	3	12	MR11	GU4	WH	4000K	210	80	25°	1.50	1.38	25K	045923092824	48/12
S9283	3MR11/LED/25°/5000K/12V	3	12	MR11	GU4	WH	5000K	210	80	25°	1.50	1.38	25K	045923092831	48/12
S8603	3MR11/LED/25°/3000K/12V	3	12	MR11	GU4	WH	3000K	210	80	25°	1.47	1.38	25K	045923086038	12/1 cd

^ For minimum compartment size of enclosed fixture visit www.satco.com

Product sheet SA1679

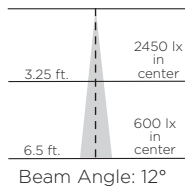
LED AR111 LAMPS



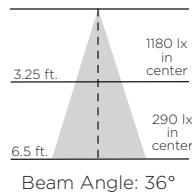
Features:

- Direct replacement for halogen lamps
- High efficiency—less heat
- 7W and 12W options
- Damp location
- Long life—30,000 hours

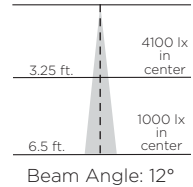
ILLUMINATION 7W



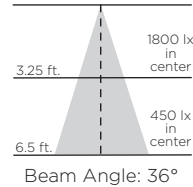
ILLUMINATION 7W



ILLUMINATION 12W



ILLUMINATION 12W



Item	Description	W	V	Bulb Shape	Base	Housing Finish	CCT	Lm	CRI	Beam	MOL (in.)	MOD (in.)	Life (hrs.)	UPC	Pack
S12244	7AR111/LED/830/SP12/12V	7	12	AR111	G53	WH	3000K	520	80	12°	2.60	4.37	30K	045923122446	24/6
S12245	7AR111/LED/830/FL36/12V	7	12	AR111	G53	WH	3000K	600	80	36°	2.60	4.37	30K	045923122453	24/6
S12246	12AR111/LED/830/SP12/12V	12	12	AR111	G53	WH	3000K	850	80	12°	2.60	4.37	30K	045923122460	24/6
S12247	12AR111/LED/830/FL36/12V	12	12	AR111	G53	WH	3000K	900	80	36°	2.60	4.37	30K	045923122477	24/6

Non-dimmable

Product sheet SA2610

LED MR16 LAMPS



Features:

- Dimmable
- Approved for totally enclosed fixtures ^
- Long life—25,000 hours
- ENERGY STAR certified*
- 5 Year warranty

Applications:

- Indoor residential and commercial lighting
- Down lighting
- Accent lighting
- Pendant lighting





3MR16



6.5W MR16



8W MR16



Item	Description	W	V	Bulb Shape	Base	Housing Finish	CCT	Lm	CRI	Beam	MOL (in.)	MOD (in.)	Life (hrs.)	UPC	Pack
S9552	3MR16/LED/40'/3000K/12V	3	12	MR16	GU5.3	CL	3000K	330	80	40°	2.00	2.00	25K	045923095528	200/20
S9553	3MR16/LED/40'/5000K/12V	3	12	MR16	GU5.3	CL	5000K	330	80	40°	2.00	2.00	25K	045923095535	200/20
80 CRI - 50W Replacement - CEC/T20															
S9490*	6.5MR16/LED/25'/27K/12V	6.5	12	MR16	GU5.3	GRAY	2700K	500	80	25°	1.75	2.00	25K	045923094903	48/12
S9491*	6.5MR16/LED/25'/30K/12V	6.5	12	MR16	GU5.3	GRAY	3000K	500	80	25°	1.78	2.00	25K	045923094910	48/12
S9492	6.5MR16/LED/25'/35K/12V	6.5	12	MR16	GU5.3	GRAY	3500K	500	80	25°	1.78	2.00	25K	045923094927	48/12
S9493	6.5MR16/LED/25'/40K/12V	6.5	12	MR16	GU5.3	GRAY	4000K	500	80	25°	1.78	2.00	25K	045923094934	48/12
S9494	6.5MR16/LED/25'/50K/12V	6.5	12	MR16	GU5.3	GRAY	5000K	500	80	25°	1.78	2.00	25K	045923094941	48/12
S9495*	6.5MR16/LED/40'/27K/12V	6.5	12	MR16	GU5.3	GRAY	2700K	500	80	40°	1.78	2.00	25K	045923094958	48/12
S9496*	6.5MR16/LED/40'/30K/12V	6.5	12	MR16	GU5.3	GRAY	3000K	500	80	40°	1.78	2.00	25K	045923094965	48/12
S9497*	6.5MR16/LED/40'/35K/12V	6.5	12	MR16	GU5.3	GRAY	3500K	500	80	40°	1.78	2.00	25K	045923094972	48/12
S9498*	6.5MR16/LED/40'/40K/12V	6.5	12	MR16	GU5.3	GRAY	4000K	500	80	40°	1.78	2.00	25K	045923094989	48/12
S9499*	6.5MR16/LED/40'/50K/12V	6.5	12	MR16	GU5.3	GRAY	5000K	500	80	40°	1.78	2.00	25K	045923094996	48/12
24V - 50W Replacement															
S11340	6MR16/LED/40'/827/24V AC/DC	6	24	MR16	GU5.3	GRAY	2700K	550	80	40°	1.78	1.97	25K	045923113406	48/12
S11341	6MR16/LED/40'/830/24V AC/DC	6	24	MR16	GU5.3	GRAY	3000K	550	80	40°	1.78	1.97	25K	045923113413	48/12
S11342	6MR16/LED/40'/840/24V AC/DC	6	24	MR16	GU5.3	GRAY	4000K	550	80	40°	1.78	1.97	25K	045923113420	48/12
S11343	6MR16/LED/40'/850/24V AC/DC	6	24	MR16	GU5.3	GRAY	5000K	550	80	40°	1.78	1.97	25K	045923113437	48/12
90 CRI															
S11334■	6.5MR16/LED/25'/927/12V	6.5	12	MR16	GU5.3	GRAY	2700K	450	90	25°	1.77	1.97	25K	045923113345	48/12
S11335■	6.5MR16/LED/25'/930/12V	6.5	12	MR16	GU5.3	GRAY	3000K	450	90	25°	1.77	1.97	25K	045923113352	48/12
S11336■	6.5MR16/LED/40'/927/12V	6.5	12	MR16	GU5.3	GRAY	2700K	450	90	40°	1.77	1.97	25K	045923113369	48/12
S9616*■	6.5MR16/LED/40'/930/12V	6.5	12	MR16	GU5.3	GRAY	3000K	450	90	40°	1.78	2.00	25K	045923096167	48/12
Single Optic - 75W Replacement - CEC/T20															
S8635■	8MR16/LED/15'/27K/90CRI/12V	8	12	MR16	GU5.3	GRAY	2700K	490	90	15°	1.88	2.00	25K	045923086359	48/12
S8636■	8MR16/LED/15'/30K/90CRI/12V	8	12	MR16	GU5.3	GRAY	3000K	490	90	15°	1.88	2.00	25K	045923086366	48/12
S8637■	8MR16/LED/15'/35K/90CRI/12V	8	12	MR16	GU5.3	GRAY	3500K	490	90	15°	1.88	2.00	25K	045923086373	48/12
S8638■	8MR16/LED/15'/40K/90CRI/12V	8	12	MR16	GU5.3	GRAY	4000K	490	90	15°	1.88	2.00	25K	045923086380	48/12
S8639	8MR16/LED/15'/50K/90CRI/12V	8	12	MR16	GU5.3	GRAY	5000K	490	90	15°	1.88	2.00	25K	045923086397	48/12
S8640*■	8MR16/LED/40'/27K/90CRI/12V	8	12	MR16	GU5.3	GRAY	2700K	490	90	40°	1.88	2.00	25K	045923086403	48/12
S8641*■	8MR16/LED/40'/30K/90CRI/12V	8	12	MR16	GU5.3	GRAY	3000K	490	90	40°	1.88	2.00	25K	045923086410	48/12
S8642■	8MR16/LED/40'/35K/90CRI/12V	8	12	MR16	GU5.3	GRAY	3500K	490	90	40°	1.88	2.00	25K	045923086427	48/12
S8643■	8MR16/LED/40'/40K/90CRI/12V	8	12	MR16	GU5.3	GRAY	4000K	490	90	40°	1.88	2.00	25K	045923086434	48/12
S8644	8MR16/LED/40'/50K/90CRI/12V	8	12	MR16	GU5.3	GRAY	5000K	490	90	40°	1.88	2.00	25K	045923086441	48/12

All 12V MR16 lamps are compatible with electronic and magnetic transformers. Visit www.satco.com for compatibility information and warranty details. ^ For minimum compartment size of enclosed fixture visit www.satco.com

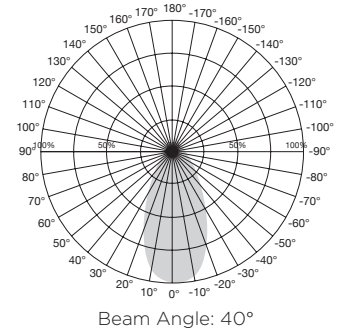
■ Also T24 compliant..

Product sheet SA1902

MR16 GU10 BASE LED LAMPS

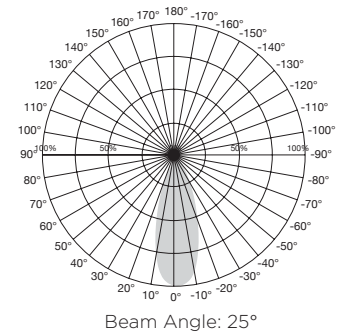
Features:

- Direct replacement for Halogen lamps
- 4.5W = 35 Watts
- 6.5W = 50 Watts - 25° (new) and 40°
- Dimmable
- Damp location
- Approved for enclosed fixtures ^
- Long life - 25,000 hours
- High efficiency / environmentally friendly
- Innovative design
- No UV or IR radiation
- 5 year warranty / 10 hrs. per day



Illumination		4.5W	6.5W
3.25 ft.		565 lx in Center	760 lx in Center
6.5 ft.		141 lx in Center	190 lx in Center

Beam Angle : 40°



Illumination		6.5W
3.25 ft.		475 lx in Center
6.5 ft.		118 lx in Center

Beam Angle : 25°



Item	Description	W	V	Bulb Shape	Base	Housing Finish	CCT	Lm	CRI	Beam	MOL (in.)	MOD (in.)	Life (hrs.)	UPC	Pack
S9380*	4.5MR16/LED/40°/30K/120V/GU10	4.5	120	MR16	GU10	WH	3000K	360	80	40°	2.19	2.00	25K	045923093807	48/12
S9381	4.5MR16/LED/40°/50K/120V/GU10	4.5	120	MR16	GU10	WH	5000K	360	80	40°	2.19	2.00	25K	045923093814	48/12
S8676	6.5MR16/LED/25°/27K/120V/GU10	6.5	120	MR16	GU10	WH	2700K	500	80	25°	2.28	1.97	25K	045923086762	48/12
S8677	6.5MR16/LED/25°/30K/120V/GU10	6.5	120	MR16	GU10	WH	3000K	500	80	25°	2.28	1.97	25K	045923086779	48/12
S8678	6.5MR16/LED/25°/40K/120V/GU10	6.5	120	MR16	GU10	WH	4000K	500	80	25°	2.28	1.97	25K	045923086786	48/12
S8679	6.5MR16/LED/25°/50K/120V/GU10	6.5	120	MR16	GU10	WH	5000K	500	80	25°	2.28	1.97	25K	045923086793	48/12
S9382	6.5MR16/LED/40°/27K/120V/GU10	6.5	120	MR16	GU10	WH	2700K	500	80	40°	2.19	2.00	25K	045923093821	48/12
S9383*	6.5MR16/LED/40°/30K/120V/GU10	6.5	120	MR16	GU10	WH	3000K	500	80	40°	2.19	2.00	25K	045923093838	48/12
S9384	6.5MR16/LED/40°/40K/120V/GU10	6.5	120	MR16	GU10	WH	4000K	500	80	40°	2.19	2.00	25K	045923093845	48/12
S9385*	6.5MR16/LED/40°/50K/120V/GU10	6.5	120	MR16	GU10	WH	5000K	500	80	40°	2.19	2.00	25K	045923093852	48/12
90 CRI—CEC/T20															
S8588*	6.5MR16/LED/40°/27K/90CRI/GU10	6.5	120	MR16	GU10	WH	2700K	450	90	40°	2.19	2.00	25K	045923085888	48/12
S8589*	6.5MR16/LED/40°/30K/90CRI/GU10	6.5	120	MR16	GU10	WH	3000K	450	90+	40°	2.19	2.00	25K	045923085895	48/12

^ For minimum compartment size of enclosed fixture visit www.satco.com

CARDED LED MR LAMPS

Features:

- Direct replacement for Halogen lamps
- 50W MR16
- 20W MR11
- Dimmable
- Damp location
- Approved for totally enclosed fixtures[^]
- Long life - 25,000 hours
- 3 Year warranty



Item	Description	W	V	Bulb Shape	Base	Housing Finish	CCT	Lm	CRI	Beam	MOL (in.)	MOD (in.)	Life (hrs.)	UPC	Pack
S8603	3MR11/LED/25°/3000K/12V	3	12	MR11	GU4	WH	3000K	210	80	25°	1.47	1.38	25K	045923086038	12/1 cd
S8604 ^{††}	6.5MR16/LED/40°/30K/120V/GU10	6.5	120	MR16	GU10	WH	3000K	500	80	40°	2.16	2.00	25K	045923086045	12/1 cd
S8605 ^{††}	6.5MR16/LED/40°/30K/12V	6.5	12	MR16	GU5.3	GRAY	3000K	500	80	40°	1.78	2.00	25K	045923086052	12/1 cd
S21741	2MR11/LED/3K/36D/12V/2PK/ND	2	12	MR11	GU4	WH	3000K	100	80	36°	1.69	1.37	15K	045923217418	24/2 cd
S21742	7MR16/LED/3K/40D/12V/2PK	7	12	MR16	GU5.3	WH	3000K	500	80	40°	2.07	1.97	25K	045923217425	24/2 cd
S21743 ^{††}	6.5MR16/LED/3K/40D/GU10/2PK	6.5	120	MR16	GU10	WH	3000K	500	80	40°	2.20	1.97	25K	045923217432	24/2 cd

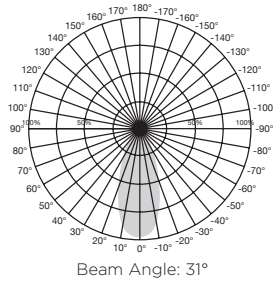
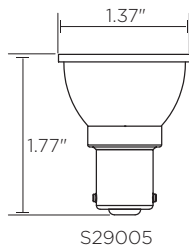
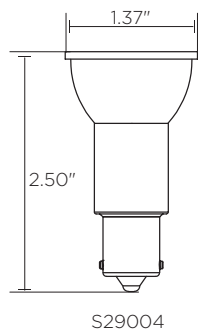
[^] For minimum compartment size of enclosed fixture visit www.satco.com

LED ELEVATOR LAMPS



Features:

- Direct replacement for 20W Halogen lamps
- Elevators, lobbies
- Familiar look & performance
- Improved thermal management
- GBF/1383 LED Direct replacement
- Long life—15,000 hours



Item	Description	W	V	Bulb Shape	Base	Housing Finish	CCT	Lm	CRI	Beam	MOL (in.)	MOD (in.)	Life (hrs.)	UPC	Pack
S29004	3WLED/1383/ELEVATOR/12V AC/DC	3	12	R12	BA15A	GRAY	3000K	220	80	31°	2.50	1.38	15K	045923290046	48/12
S29005	3WLED/GBF/ELEVATOR/12V AC/DC	3	12	ALR12	BA15D	GRAY	3000K	220	80	31°	1.77	1.38	15K	045923290053	48/12

Indoor use only. Not for use in totally enclosed fixtures.

Product sheet SA2370

LED MR16 E26 BASE LAMPS

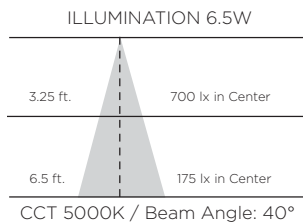
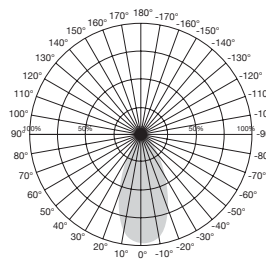


Features:

- Direct replacement for 50 Watt Halogen lamps — uses only 6.5 Watts
- Innovative design
- Dimmable
- Damp location
- Approved for enclosed fixtures ^
- Long life - 25,000 hours
- No UV or IR radiation
- 5 year warranty

Applications:

- Indoor residential and commercial lighting
- Downlighting
- Accent lighting
- Pendant lighting



Item	Description	W	V	Bulb Shape	Base	Housing Finish	CCT	Lm	CRI	Beam	MOL (in.)	MOD (in.)	Life (hrs.)	UPC	Pack
S9980	6.5MR16/E26/LED/40°/27K/120V	6.5	120	MR16	E26	WH	2700K	500	80	40°	2.19	2.00	25K	045923099809	48/12
S9981	6.5MR16/E26/LED/40°/30K/120V	6.5	120	MR16	E26	WH	3000K	500	80	40°	2.19	2.00	25K	045923099816	48/12
S9982	6.5MR16/E26/LED/40°/40K/120V	6.5	120	MR16	E26	WH	4000K	500	80	40°	2.19	2.00	25K	045923099823	48/12
S9983	6.5MR16/E26/LED/40°/50K/120V	6.5	120	MR16	E26	WH	5000K	500	80	40°	2.19	2.00	25K	045923099830	48/12

^ For minimum compartment size of enclosed fixture visit www.satco.com

SILICON LED REPLACEMENTS FOR HALOGEN G4, G6.35, G8 & G9 LAMPS

Features:

- Solid state LED lighting
- High efficacy
- Omni-directional light
- Dimmable
- Long life—25,000 hours
- Approved for enclosed fixtures ^



G4



G6.35



G8



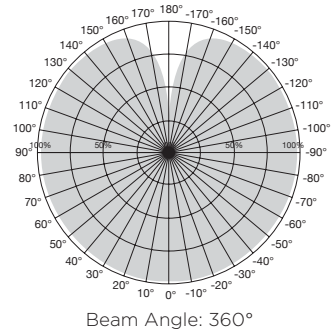
G9



G9



G9



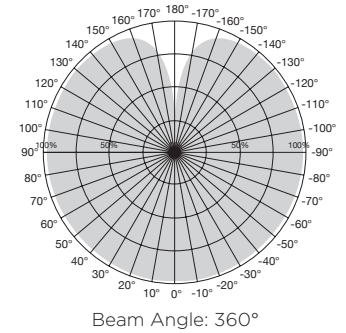
Item	Description	W	V	Bulb Shape	Base	Finish	CCT	Lm	CRI	MOL (in.)	MOD (in.)	Life (hrs.)	UPC	Pack
G4 Bi-Pin														
S9542	LED 1.6W JC/G4 12V 3000K 200L	1.6	12	T3	G4	CL	3000K	200	80	1.44	0.38	25K	045923095429	200/20
S8600	LED 1.6W JC/G4 12V 3000K/CARD	1.6	12	T3	G4	CL	3000K	200	80	1.44	0.38	25K	045923086007	48/12
S9543	LED 1.6W JC/G4 12V 5000K 200L	1.6	12	T3	G4	CL	5000K	200	80	1.44	0.38	25K	045923095436	200/20
G6.35														
S9544	LED 3W JC/G6.35 12V 3000K 300L	3	12	T4	G6.35	CL	3000K	300	80	1.63	0.50	25K	045923095443	200/20
S8601	LED 3W JC/G6.35 12V 3K 300L/CD	3	12	T4	G6.35	CL	3000K	300	80	1.63	0.50	25K	045923086014	48/12
S9545	LED 3W JC/G6.35 12V 5000K 300L	3	12	T4	G6.35	CL	5000K	300	80	1.63	0.50	25K	045923095450	200/20
G8														
S28680	LED/4W/JC/G8/CL/3K/1	4	120-130	T4	G8	CL	3000K	480	80	2.00	0.50	25K	045923286803	200/20
S28681	LED/4W/JC/G8/CL/5K/120-130V	4	120-130	T4	G8	CL	5000K	480	80	2.00	0.50	25K	045923286810	200/20
G9														
S9546	LED 1.6W JCD/G9 120V 3000K	1.6	120	T4	G9	CL	3000K	200	80	1.88	0.50	25K	045923095467	200/20
S9547	LED 1.6W JCD/G9 120V 5000K	1.6	120	T4	G9	CL	5000K	200	80	1.88	0.50	25K	045923095474	200/20
S29547	LED4W JCD/G9 120-130V 2700K	4	120-130	T4	G9	CL	2700K	400	80	2.38	0.50	25K	045923295478	200/20
S29548	LED4W JCD/G9 120-130V 3000K	4	120-130	T4	G9	CL	3000K	480	80	2.38	0.50	25K	045923295485	200/20
S28602	LED JCD 4W G9 120-130V 3K DIM/CARD	4	120-130	T4	G9	CL	3000K	480	80	2.38	0.50	25K	045923286025	48/12
S28682	LED/4W/JCD/G9/FR/3K/120-130V	4	120-130	T4	G9	FR	3000K	460	80	2.38	0.00	25K	045923286827	200/20
S29549	LED4W JCD/G9 120-130V 5000K	4	120-130	T4	G9	CL	5000K	480	80	2.38	0.50	25K	045923295492	200/20
S28683	LED/4W/JCD/G9/FR/5K/120-130V	4	120-130	T4	G9	FR	5000K	460	80	2.38	0.00	25K	045923286834	200/20
S29697	LED4W JCD/G9/120-130V/3K/90CRI	4	120-130	T4	G9	CL	3000K	360	90	2.38	0.50	25K	045923296970	200/20

^ For minimum compartment size of enclosed fixture visit www.satco.com

SILICON LED REPLACEMENTS FOR HALOGEN E11, E12, BA15D & BA15S LAMPS

Features:

- Solid state LED lighting
- High efficacy
- Omni-directional light
- Dimmable
- Long life—25,000 hours



Item	Description	W	V	Bulb Shape	Base	Finish	CCT	Lm	CRI	MOL (in.)	MOD (in.)	Life (hrs.)	UPC	Pack
E11 Mini Can														
S28684	LED/4W/E11/MC/CL/3K/120-130V	4	120-130	T4	E11	CL	3000K	480	80	2.38	0.75	25K	045923286841	200/20
S28685	LED/4W/E11/MC/CL/5K/120-130V	4	120-130	T4	E11	CL	5000K	480	80	2.38	0.75	25K	045923286858	200/20
S28686	LED/4W/E11/MC/FR/3K/120-130V	4	120-130	T4	E11	FR	3000K	460	80	2.38	0.75	25K	045923286865	200/20
S28687	LED/4W/E11/MC/CL/5K/120-130V	4	120-130	T4	E11	FR	5000K	460	80	2.38	0.75	25K	045923286872	200/20
E12														
S11210	LED/4W/E12/CL/3K/120-130V	4	120-130	T4	E12	CL	3000K	480	80	2.31	0.75	25K	045923112102	200/20
S11211	LED/4W/E12/CL/5K/120-130V	4	120-130	T4	E12	CL	5000K	480	80	2.31	0.75	25K	045923112119	200/20
S11212	LED/4W/E12/FR/3K/120-130V	4	120-130	T4	E12	FR	3000K	460	80	2.31	0.75	25K	045923112126	200/20
S11213	LED/4W/E12/FR/5K/120-130V	4	120-130	T4	E12	FR	5000K	460	80	2.31	0.75	25K	045923112133	200/20
BA15D														
S11214	LED/4W/BA15D/CL/3K/120-130V	4	120-130	T4	BA15D	CL	3000K	480	80	2.50	0.75	25K	045923112140	200/20
S11215	LED/4W/BA15D/CL/5K/120-130V	4	120-130	T4	BA15D	CL	5000K	480	80	2.50	0.75	25K	045923112157	200/20
S11216	LED/4W/BA15D/FR/3K/120-130V	4	120-130	T4	BA15D	FR	3000K	460	80	2.50	0.75	25K	045923112164	200/20
S11217	LED/4W/BA15D/FR/5K/120-130V	4	120-130	T4	BA15D	FR	5000K	460	80	2.50	0.75	25K	045923112171	200/20
BA15S														
S8688	LED/3W/BA15S/CL/3K/12V	3	12	T4	BA15S	FR	3000K	330	80	1.63	0.75	25K	045923086885	200/20
S8689	LED/3W/BA15S/CL/5K/12V	3	12	T4	BA15S	FR	5000K	330	80	1.63	0.75	25K	045923086892	200/20

^ For minimum compartment size of enclosed fixture visit www.satco.com

Product sheet SA2562

LED COLORQUICK® DOWNLIGHT RETROFITS

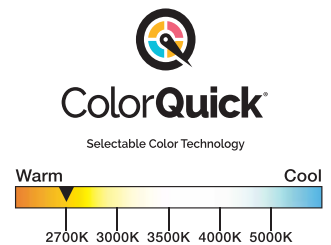


Features:

- 5 Selectable CCT settings
- SKU reducer - 35 products, only 7 SKU's
- 3 Styles: Round, Square & Gimbal
- 2 Sizes: for 4" and 5/6" standard recessed housing
- Wet location (baffles)
- Damp location (gimbals)
- ENERGY STAR® certified
- T20/T24 Compliant
- Long life—50,000 Hours
- 5 Year warranty



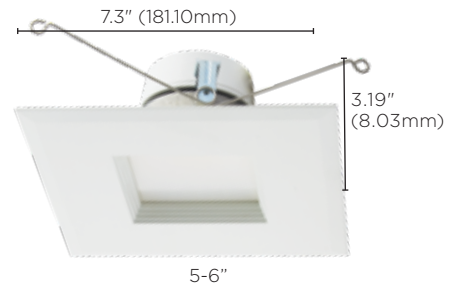
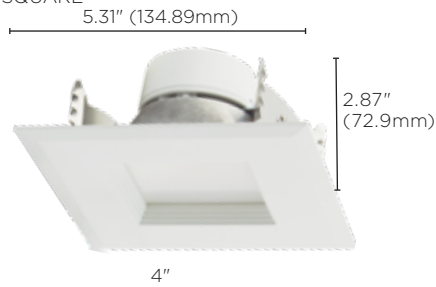
Color changeable -
5 color temperature
settings



ROUND



SQUARE



E26 Adapter included (S9001)
 GU10 Adapter sold separately (S9000)
 GU24 Adapter sold separately (S8999)



GIMBAL



Item	Description	W	V	CRI	CCT	Lm	Beam	Trim Finish	Trim Size (in.)	Life (hrs.)	UPC	Pack
Round												
S11800	7WLED/RDL/4/ADJ-CCT/120V	7	120	90	2700K/3000K/3500K/4000K/5000K	600	90°	WH	5.31	50K	045923118005	16/4
S11801	9WLED/RDL/5-6/ADJ-CCT/120V	9	120	90	2700K/3000K/3500K/4000K/5000K	800	90°	WH	7.40	50K	045923118012	8
S11825	13.5WLED/RDL/5-6/CCT-SEL/120V	13.5	120	90	2700K/3000K/3500K/4000K/5000K	1200	100°	WH	7.40	50K	045923118258	8
Square												
S11820	6.5WLED/RDL/SQ/4/CCT-SEL/120V	6.5	120	90	2700K/3000K/3500K/4000K/5000K	600	90°	WH	5.31	50K	045923118203	24
S11821	11.5WLED/RDL/SQ/5-6/CCT-SEL	11.5	120	90	2700K/3000K/3500K/4000K/5000K	1000	90°	WH	7.13	50K	045923118210	12
Gimbal												
S11822	7.5WLED/DIR/4/60°/CCT-SEL/120V	7.5	120	90	2700K/3000K/3500K/4000K/5000K	600	60°	WH	6.02	50K	045923118227	8
S11824	10.5WLED/DIR/5-6/90°/CCT-SEL	10.5	120	90	2700K/3000K/3500K/4000K/5000K	800	90°	WH	7.40	50K	045923118241	8

LED COLORQUICK® DOWNLIGHT RETROFITS IN BRONZE, BLACK & BRUSHED NICKEL

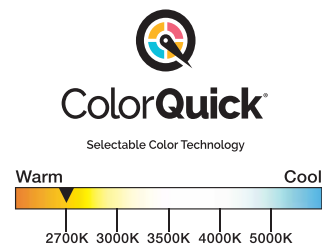


Features:

- 5 Selectable CCT settings
- 3 New trim finishes—Black, Bronze and Brushed Nickel
- 2 Sizes - 4" and 5/6" standard recessed housing
- Wet location
- Dimmable
- ENERGY STAR® certified
- Long life - 50,000 hours



Color changeable -
5 color temperature
settings





4" BLACK



5-6" BLACK



E26 Adapter included
 GU10 Adapter sold separately
 GU24 Adapter sold separately

(S9001)
 (S9000)
 (S8999)



4" BRUSHED NICKEL



5-6" BRUSHED NICKEL



4" BRONZE



5-6" BRONZE



Item	Description	W	V	CRI	CCT	Lm	Beam	Trim Finish	Trim Size (in.)	Life (hrs.)	UPC	Pack
S11832	7WLED/RDL/4/CCT-SEL/120V/BL	7	120	90	2700K/3000K/3500K/4000K/5000K	600	90°	BLK	5.31	50K	045923118326	16
S11833	7WLED/RDL/4/CCT-SEL/120V/BN	7	120	90	2700K/3000K/3500K/4000K/5000K	600	90°	BR NKL	5.31	50K	045923118333	16
S11834	7WLED/RDL/4/CCT-SEL/120V/BZ	7	120	90	2700K/3000K/3500K/4000K/5000K	600	90°	BRZ	5.31	50K	045923118340	16
S11835	9WLED/RDL/5-6/CCT-SEL/120V/BL	9	120	90	2700K/3000K/3500K/4000K/5000K	800	90°	BLK	7.41	50K	045923118357	8
S11836	9WLED/RDL/5-6/CCT-SEL/120V/BN	9	120	90	2700K/3000K/3500K/4000K/5000K	800	90°	BR NKL	7.41	50K	045923118364	8
S11837	9WLED/RDL/5-6/CCT-SEL/120V/BZ	9	120	90	2700K/3000K/3500K/4000K/5000K	800	90°	BRZ	7.41	50K	045923118371	8

Product sheet SA2380

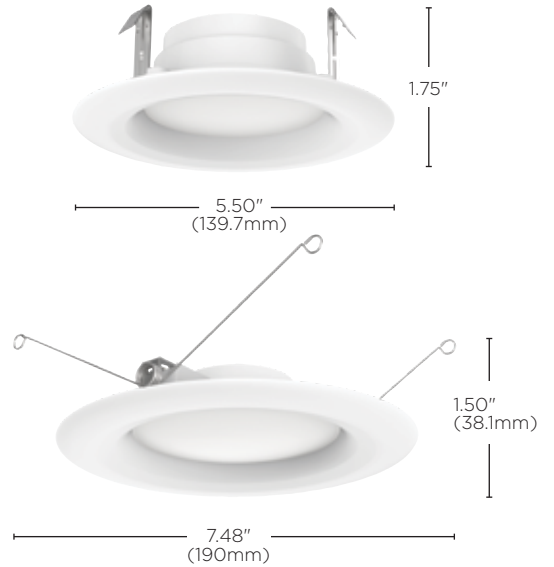
LED DOWNLIGHT RETROFIT VALUE 6-PACK



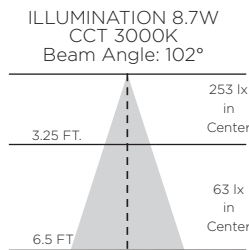
Features:

- 6 Piece Pack for Value & Convenience
- Easy to Install
- 5/6" 65W Replacement
- 4" 45W Replacement
- ENERGY STAR Certified
- Damp Location
- CA COMPLIANT: T20, T24
- 3 Year Warranty

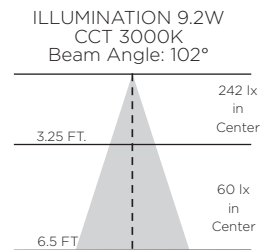




E26 Adapter included.
These retrofits are for use with recessed housings with an E26 socket only.



Suitable Can Dimension
TYPE: 4 Inch
Min. Height 5.6"
Diameter 3.93" Min.



Suitable Can Dimension
TYPE: 5/6 Inch
Min. Height 7.5"
Diameter 5.2" Min.



Item	Description	W	V	CRI	CCT	Lm	Beam	Trim Finish	Trim Size (in.)	Life (hrs.)	UPC	Pack
S11640	8.7WLED/RDL/4/930/120V/6PK	8.7	120	90	3000K	600	102	White	5.50	35K	045923116407	4-6pks
S11641	9.2WLED/RDL/5-6/930/120V/6PK	9.2	120	90	3000K	650	102	White	7.48	35K	045923116414	3-6pks

Product sheet SA2732

5"/6" LED RECESSED DOWNLIGHT RETROFITS

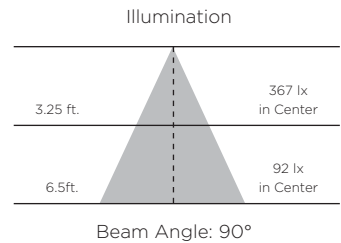
Features:

- Direct replacement for reflector lamps
- High efficiency/environmentally friendly
- Dimmable†
- Wet location
- c-UL-us Classified
- Long life—35,000 hours
- ENERGY STAR® certified
- 3 Year warranty



E26 Adapter included

This retrofit is for use with recessed housings with an E26 socket only.



Item	Description	W	V	CRI	CCT	Lm	Beam	Trim Finish	Trim Size (in.)	Life (hrs.)	UPC	Pack
S29312	9.8WLED/RDL/5-6/27K/120V	9.8	120	90	2700K	650	90°	WH	7.38	35K	045923293122	12
S29313	9.8WLED/RDL/5-6/30K/120V	9.8	120	90	3000K	650	90°	WH	7.38	35K	045923293139	12
S29314	9.8WLED/RDL/5-6/40K/120V	9.8	120	90	4000K	650	90°	WH	7.38	35K	045923293146	12
S29315	9.8WLED/RDL/5-6/50K/120V	9.8	120	90	5000K	650	90°	WH	7.38	35K	045923293153	12

†Consult Satco or visit www.satco.com for an up to date dimmer compatibility list.

12V LED RECESSED DOWNLIGHT RETROFITS

Features:

- Dimmable*
- Wet location listed
- Works with magnetic and electronic 12V transformers
- Long life—35,000 hours
- 3 Year warranty



Item	Description	W	V	CRI	CCT	Lm	Beam	Trim Finish	Trim Size (in.)	Life (hrs.)	UPC	Pack
S9729	7.5WLED/RDL/4"BFL/12V 90CRI 3K	7.5	12	90	3000K	460	90°	WH	4.94	35K	045923097294	12

Product sheet SA1174

QUICK TRIM™ 4", 5"/6" LED RECESSED DOWNLIGHT RETROFIT 2-PACKS

Features:

- Direct replacement for reflector lamps
- Dimmable*
- Damp location listed
- Long life—25,000 hours
- ENERGY STAR® certified
- 3 Year warranty



Extends to reach the socket.
Retracts to meet the surface.



Step 1

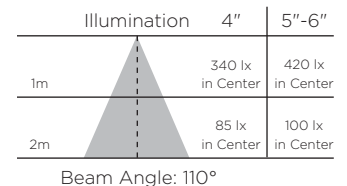


Screw lamp into existing socket.

Step 2



Push into the fixture until the trim is flush against surface.



Item	Description	W	V	CRI	CCT	Lm	Beam	Trim Finish	Trim Size (in.)	Life (hrs.)	UPC	Pack
S9598	8.5W/LED/4"TRIM/2700K/120V/2PK	8.5	120	80+	2700K	510	110°	White	5.75	25K	045923095986	12-2pks
S9599	12W/LED/5-6"TRIM/2700K/120V/2P	12	120	80+	2700K	800	110°	White	8.25	25K	045923095993	12-2pks

*Consult Satco or visit www.satco.com for an up to date dimmer compatibility list.

Product sheet SA1965

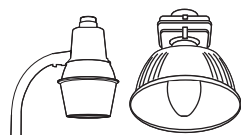
HI-PRO LED FILAMENT LAMPS



Features:

- Replacement for up to 175W HID
- Energy saving LED, traditional HID look
- Universal burning position
- Ballast bypass 120V-277V
- 3000K, 5000K options
- 360° Beam angle
- E26/EX39 Base versions
- Wet location
- 3 Year warranty

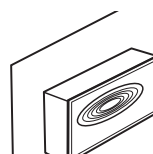
Common Applications:



High Bay, Low Bay
& Security



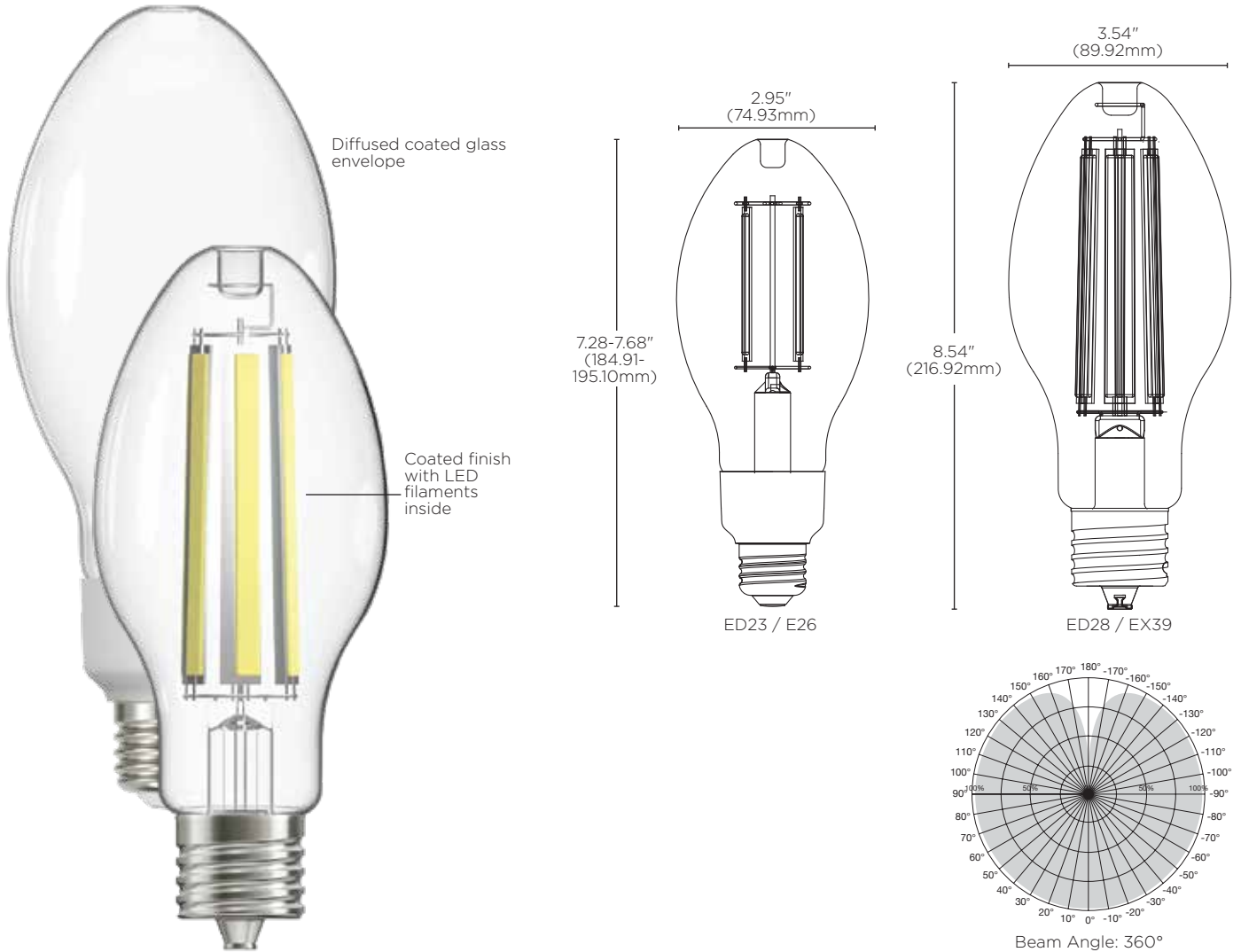
Post Top
Lighting



Wall
Pack



What's inside: High power LED filament strips



Item	Description	HID Equivalent	W	V	Bulb Shape	Base	CCT	Lm	CRI	MOL (in.)	MOD (in.)	Life (hrs.)	UPC	Pack
S13130	16W/LED/HID/ED23/850/E26	70	16	120-277	ED23	E26	5000K	2000	80	7.28	2.95	25K	045923131301	12/1
S13131	22W/LED/HID/ED23/850/E26	100	22	120-277	ED23	E26	5000K	3000	80	7.28	2.95	25K	045923131318	12/1
S13132	30W/LED/HID/ED23/830/E26	125	30	120-277	ED23	E26	3000K	4000	80	7.68	2.95	25K	045923131325	12/1
S13133	30W/LED/HID/ED23/850/E26	125	30	120-277	ED23	E26	5000K	4000	80	7.68	2.95	25K	045923131332	12/1
EX39														
S13134	36W/LED/HID/ED28/850/EX39	150	36	120-277	ED28	EX39	5000K	5000	80	8.54	3.54	25K	045923131349	12/1
S13135	42W/LED/HID/ED28/830/EX39	175	42	120-277	ED28	EX39	3000K	6000	80	8.54	3.54	25K	045923131356	12/1
S13136	42W/LED/HID/ED28/850/EX39	175	42	120-277	ED28	EX39	5000K	6000	80	8.54	3.54	25K	045923131363	12/1

Product sheet SA2738

CCT SELECTABLE HI-PRO LAMPS



Features:

- Built in sensor port for additional control options
- Dedicated wattage to ensure proper size lamp for the fixture
- CCT selectable
- Advanced thermal management
- 4 KV built-in surge protection
- Enclosed rated
- Damp Location
- DLC certified
- Long-life - 50,000 Hours



Switch to/from the following CCT



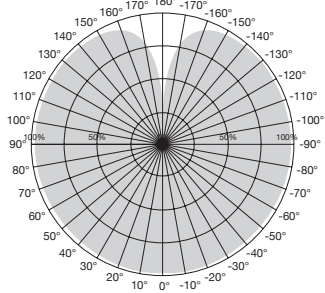
Color temperature selection switch

3000K 4000K 5000K
Color Temperature

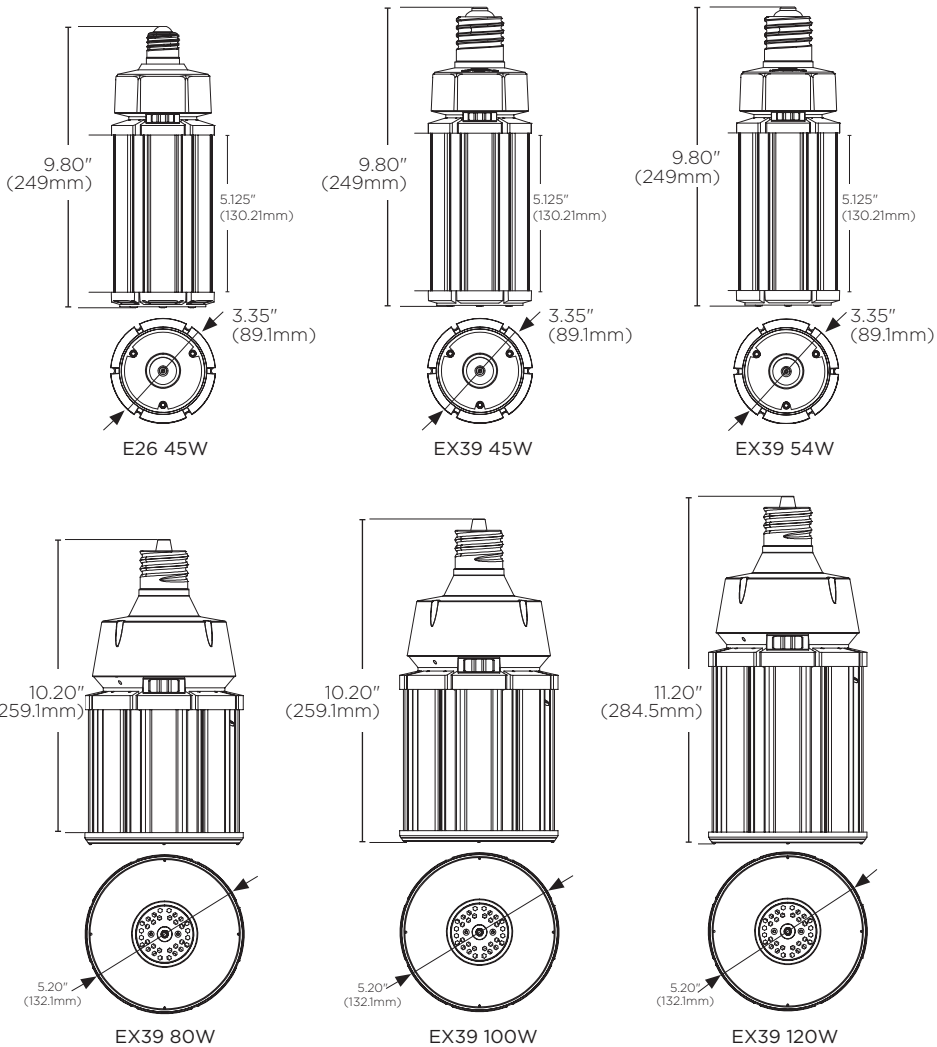
Switch to/from the following CCT
3000K 4000K 5000K



Sensor Port For Accessories



Beam Angle: 360°



Item	Description	HID Equiv.	W	V	Bulb Shape	Base	CCT	Lm	CRI	MOL (in.)	MOD (in.)	Life (hrs.)	UPC	Pk
S13140	45W/LED/HID/CCT/E26/100-277V	200	45	100-277	Corncob	E26	3000K/4000K/5000K	5850-6300	80	9.80	3.35	50K	045923131400	12/1
S13141	45W/LED/HID/CCT/EX39/100-277V	200	45	100-277	Corncob	EX39	3000K/4000K/5000K	5850-6300	80	9.80	3.35	50K	045923131417	12/1
S13142	54W/LED/HID/CCT/EX39/100-277V	250	54	100-277	Corncob	EX39	3000K/4000K/5000K	7270-7560	80	9.80	3.35	50K	045923131424	12/1
S13143	80W/LED/HID/CCT/EX39/100-277V	250	80	100-277	Corncob	EX39	3000K/4000K/5000K	10400-11200	80	10.20	5.20	50K	045923131431	4/1
S13144	100W/LED/HID/CCT/EX39/100-277V	400	100	100-277	Corncob	EX39	3000K/4000K/5000K	13000-14000	80	10.20	5.20	50K	045923131448	4/1
S13145	120W/LED/HID/CCT/EX39/100-277V	500	120	100-277	Corncob	EX39	3000K/4000K/5000K	15600-16800	80	11.20	5.20	50K	045923131455	4/1

Accessories

80-929	Hard Wire Surge Protector - 10kV												045923809293	
80-954	Hi-Pro Wi-Fi Module - (Satco STARFISH in the App store)												045923809549	
80-956	Hi-Pro Photocell - On/Off with adjustable settings for daylight and timers												045923809563	
80-957	Hi-Pro Microwave motion sensor - On/Off with standby dimming option												045923809570	

^ For minimum compartment size of enclosed fixture visit www.satco.com

Product sheet SA2742

HI-PRO LED LAMPS

- Advanced passive heat dissipation
- High efficiency
- Built-in surge protection on all items
 - 18W – 22W 2.5KV
 - 36W – 54W 4KV
 - 80W – 120W 6KV

Standard Features:

- Replaces HID, CFL, and Incandescent
- Direct wire range voltage 100-277V
- Approved for totally enclosed fixtures ^
- IP64-Damp location
- 3 CCT options
- High bay/low bay/post top
- 80W-120W - Base up or down only
- DLC listed♦
- Long life – 50,000 hours
- 5 Year limited warranty

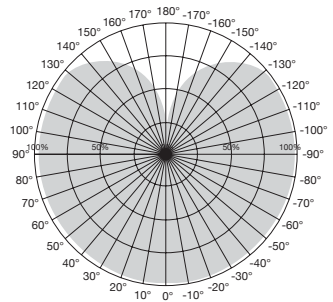


18W

36W

54W

120W



Beam Angle: 300°



Item	Description	HID Equiv.	W	V	Bulb Shape	Base	CCT	Lm	CRI	MOL (in.)	MOD (in.)	Life (hrs.)	UPC	Pack
S39670	18W/LED/HID/2700K/100-277V E26	70	18	100-277	Corncob	E26	2700K	2340	80	5.69	2.38	50K	045923306709	24/12
S39390	18W/LED/HID/5000K/100-277V E26	70	18	100-277	Corncob	E26	5000K	2610	80	5.69	2.38	50K	045923303906	24/12
S39671	22W/LED/HID/2700K/100-277V E26	100	22	100-277	Corncob	E26	2700K	2860	80	5.94	2.38	50K	045923306716	24/12
S39391	22W/LED/HID/5000K/100-277V E26	100	22	100-277	Corncob	E26	5000K	3080	80	5.69	2.38	50K	045923303913	24/12
S39672	36W/LED/HID/2700K/100-277V E26	150	36	100-277	Corncob	E26	2700K	4680	80	7.34	3.34	50K	045923306723	12/1
S39392	36W/LED/HID/5000K/100-277V E26	150	36	100-277	Corncob	E26	5000K	5148	80	7.34	3.34	50K	045923303920	12/1
S39738	45W/LED/HID/4000K/100-277V E26	175	45	100-277	Corncob	E26	4000K	6300	80	8.50	3.34	50K	045923397387	12/1
S39739	45W/LED/HID/5000K/100-277V E26	175	45	100-277	Corncob	E26	5000K	6435	80	8.50	3.34	50K	045923397394	12/1
S39673♦	45W/LED/HID/4K/100-277V EX39	175	45	100-277	Corncob	EX39	4000K	6300	80	8.81	3.34	50K	045923306730	12/1
S39393♦	45W/LED/HID/5K/100-277V/EX39	175	45	100-277	Corncob	EX39	5000K	6435	80	8.81	3.34	50K	045923303937	12/1
S39674♦	54W/LED/HID/4K/100-277V/EX39	250	54	100-277	Corncob	EX39	4000K	7560	80	9.03	3.34	50K	045923306747	12/1
S39394♦	54W/LED/HID/5K/100-277V/EX39	250	54	100-277	Corncob	EX39	5000K	7722	80	9.03	3.34	50K	045923303944	12/1
S39675♦	80W/LED/HID/4K/100-277V/EX39	320	80	100-277	Corncob	EX39	4000K	11200	80	8.78	4.72	50K	045923306754	4/1
S39395♦	80W/LED/HID/5K/100-277V/EX39	320	80	100-277	Corncob	EX39	5000K	11440	80	8.78	4.72	50K	045923303951	4/1
S39676♦	100W/LED/HID/4K/100-277V/EX39	400	100	100-277	Corncob	EX39	4000K	14000	80	9.88	4.72	50K	045923306761	4/1
S39396♦	100W/LED/HID/5K/100-277V/EX39	400	100	100-277	Corncob	EX39	5000K	14300	80	9.88	4.72	50K	045923303968	4/1
S39677♦	120W/LED/HID/4K/100-277V/EX39	600	120	100-277	Corncob	EX39	4000K	16800	80	10.34	4.72	50K	045923306778	4/1
S39397♦	120W/LED/HID/5K/100-277V/EX39	600	120	100-277	Corncob	EX39	5000K	17160	80	10.34	4.72	50K	045923303975	4/1

Accessories

92-410	Mog to Med Socket Reducer for S39390, S39391, S39392, S39670, S39671 and S39672	045923924064
80-929	Hard Wire Surge Protector	045923809293

^ See warranty for details at www.satco.com. Lamp life may vary depending on application and use.

HI-PRO 277-347V HIGH LUMEN LED LAMPS

Features:

Replaces HID, CFL, and Incandescent

Direct wire range voltage 277-347V

Built-in surge protection 80-120W

Approved for totally enclosed fixtures[^]

IP65 rated

5000K

Beam angle 300°

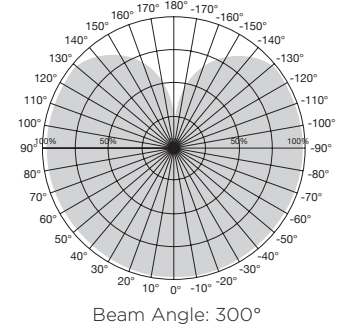
CRI 80+

High bay/low bay/post top

80W-120W - Base up or down only

DLC listed♦

5 Year limited warranty



Item	Description	HID Equiv.	W	V	Bulb Shape	Base	CCT	Lm	CRI	MOL (in.)	MOD (in.)	Life (hrs.)	UPC	Pack
S28710	18W/LED/HID/5000K/277-347V E26	70	18	277-347	Corn-cob	E26	5000K	2400	80+	6.77	2.76	50K	045923287107	24/12
S28711	22W/LED/HID/5000K/277-347V/E26	100	22	277-347	Corn-cob	E26	5000K	2950	80+	7.56	2.76	50K	045923287114	24/12
S28712	36W/LED/HID/5000K/277-347V/E26	150	36	277-347	Corn-cob	E26	5000K	4800	80+	9.17	3.66	50K	045923287121	12/1
S28713♦	45W/LED/HID/5K/277-347V/EX39	175	45	277-347	Corn-cob	EX39	5000K	6000	80+	10.35	3.66	50K	045923287138	12/1
S28714♦	54W/LED/HID/5K/277-347V/EX39	250	54	277-347	Corn-cob	EX39	5000K	7200	80+	10.35	3.66	50K	045923287145	12/1
S28715♦	80W/LED/HID/5K/277-347V/EX39	320	80	277-347	Corn-cob	EX39	5000K	10640	80+	9.25	5.87	50K	045923287152	4/1
S28716♦	100W/LED/HID/5K/277-347V/EX39	400	100	277-347	Corn-cob	EX39	5000K	13300	80+	9.61	5.88	50K	045923287169	4/1
S28717♦	120W/LED/HID/5K/277-347V/EX39	600	120	277-347	Corn-cob	EX39	5000K	16000	80+	10.39	5.78	50K	045923287176	4/1

Accessories

92-410	Mog to Med Socket Reducer												045923924064	
80-935	Hard Wire Surge Protector												045923809354	

[^] See warranty for details at www.satco.com. Lamp life may vary depending on application and use.

Stocked in Canada only.

Product sheet SA2308

HI-PRO LED 12-24V LOW VOLTAGE LAMPS

Features:

Replaces HID, CFL, and Incandescent

Approved for totally enclosed fixtures ^

IP645 rated

5000K

Long life—50,000 hours

5 Year limited warranty



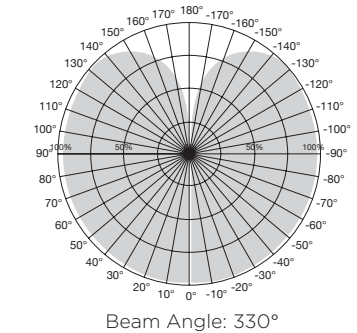
10W



14W



18W



Item	Description	HID Equiv.	W	V	Bulb Shape	Base	CCT	Lm	CRI	MOL (in.)	MOD (in.)	Life (hrs.)	UPC	Pack
S9753	10W/LED/HID/5000K/12V-24V E26	30	10	12-24	Corncob	E26	5000K	1200	80+	5.81	2.44	50K	045923097539	48/1
S9754	14W/LED/HID/5000K/12V-24V E26	50	14	12-24	Corncob	E26	5000K	1680	80+	6.19	2.88	50K	045923097546	48/1
S9755	18W/LED/HID/5000K/12V-24V E26	70	18	12-24	Corncob	E26	5000K	2160	80+	7.00	2.88	50K	045923097553	48/12

^ See warranty for details at www.satco.com. Lamp life may vary depending on application and use.

Product sheet SA2609

HI-PRO LED POST TOP LAMPS

Features:

For use in any post top fixture to provide light out and down only

Direct wire (ballast by-pass) 100-277V / E26

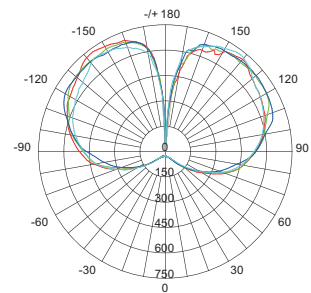
Approved for enclosed fixtures ^

Long life—50,000 hours

5 Year limited warranty



Controls light pollution



UNIT:cd
 — C0/180,350.2°
 — C30/210,350.3°
 — C60/240,350.9°
 — C90/270,351.2°



Item	Description	HID Equiv.	W	V	Bulb Shape	Base	CCT	Lm	CRI	MOL (in.)	MOD (in.)	Life (hrs.)	UPC	Pack
S9779	40W/LED/HID/PT/3000K/100-277V	175	40	100-277	Corncob	E26	3000K	5000	80+	5.50	5.13	50K	045923097799	12/1

Accessories

92-410	Mog to Med Socket Reducer												045923924064	
80-929	Hard Wire Surge Protector												045923809293	

^ See warranty for details at www.satco.com

Product sheet SA2107

HI-PRO LED MULTI-BEAM LAMPS

Features:

- Replaces HID, CFL, and incandescent
- Direct wire range voltage 100-277V
- Approved for totally enclosed fixtures[^]
- High bay, low bay, hanging sockets, and post top
- 2700K or 5000K
- Multi-directional
- Light panels lock into place creating 3 separate beam angle options
- Long life—50,000 hours
- 5 Year limited warranty



260° Beam



120° Beam



150° Beam



Item	Description	HID Equiv.	W	V	Bulb Shape	Base	CCT	Lm	CRI	MOL (in.)	MOD (in.)	Life (hrs.)	UPC	Pack
S39768	30W/LED/HID/MB-G3/27K/100-277V	150	30	100-277	Corncob	E26	2700K	3840	80	6.69	3.35	50K	045923397684	24/6
S39750	30W/LED/HID/MB-G3/50K/100-277V	150	30	100-277	Corncob	E26	5000K	4200	80	6.69	3.35	50K	045923397509	24/6
S39798◆	40W/LED/HID/MB-G3/27K/100-277V	175	40	100-277	Corncob	EX39	2700K	5120	80	7.24	3.35	50K	045923397981	12/6
S39751◆	40W/LED/HID/MB-G3/50K/100-277V	175	40	100-277	Corncob	EX39	5000K	5600	80	7.24	3.35	50K	045923397516	12/6
S39799◆	60W/LED/HID/MB-G3/27K/100-277V	250	60	100-277	Corncob	EX39	2700K	7680	80	7.76	4.13	50K	045923397998	12/6
S39752◆	60W/LED/HID/MB-G3/50K/100-277V	250	60	100-277	Corncob	EX39	5000K	8400	80	7.76	4.13	50K	045923397523	12/6
S39769◆	75W/LED/HID/MB-G3/50K/100-277V	400	75	100-277	Corncob	EX39	5000K	10500	80	8.46	4.13	50K	045923397691	12/6
S39679◆	90W/LED/HID/MB-G3/50K/100-277V	600	90	100-277	Corncob	EX39	5000K	12600	80	9.84	4.84	50K	045923396793	6/1

Accessories

86-215	Hi-Pro Motion Sensor/PIR (Passive Infrared)												045923862151	
80-929	Hard Wire Surge Protector - 10kV												045923809293	
92-410	Mog to Med Socket Reducer for S39750 and S39768												045923924101	

[^] See warranty for details at www.satco.com

60W LED MULTI-BEAM UTILITY LIGHT WITH & WITHOUT MOTION SENSOR

Features:

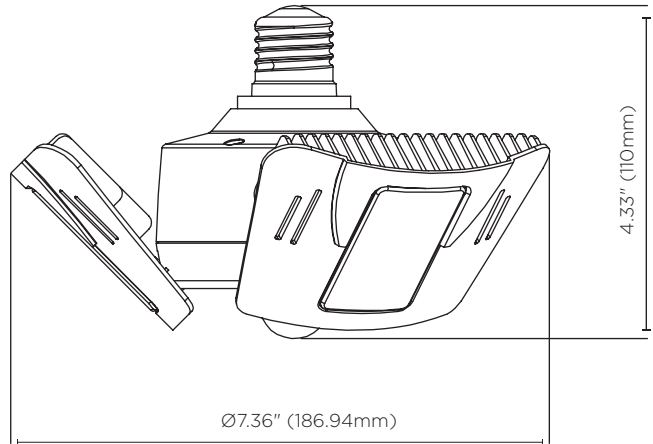
- Replaces high-wattage HID CFL & Incandescent lamps, but uses only 60 Watts
- LED panels adjust to 135° and a full 180°
- Rugged construction
- Built-in motion sensor option
- E26 medium base
- Direct wire range voltage 100-277V
- Damp location
- c-UL-us Listed
- 3 Year warranty

Applications:

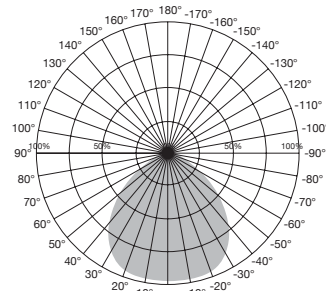
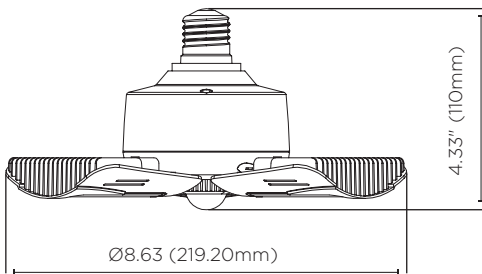
- Garage
- Barn
- Workshop
- Shed
- Utility room
- Large open spaces



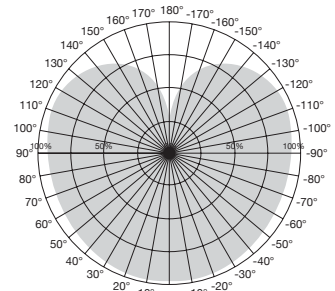
270° Beam



120° Beam



Beam Angle: 120°



Beam Angle: 270°



Item	Description	HID Equiv.	W	V	Bulb Shape	Base	CCT	Lm	CRI	MOL (in.)	MOD (in.)	Life (hrs.)	UPC	Pack
S13118	60W/LED/UTL/MB/4000K	175	60	100-277	Corncob	E26	4000K	5880	80	4.21	4.75	50K	045923131189	12/1
S13119	60W/LED/UTL/MB/4000K/MOTION	175	60	100-277	Corncob	E26	4000K	5880	80	4.33	4.75	50K	045923131196	12/1

Product sheet SA2320

HIGH VOLTAGE HI-PRO LED LAMPS 277V-480V

Features:

High Lumen Omni-directional LED for Industrial/Commercial applications

Direct wire range voltage 277-480V

Approved for totally enclosed fixtures ^

4KV Surge protection



Item	Description	HID Equiv.	W	V	Bulb Shape	Base	CCT	Lm	CRI	MOL (in.)	MOD (in.)	Life (hrs.)	UPC	Pack
S13123	54W/LED/HID/5K/277-480V/EX39	250	54	277-480	Corncob	EX39	5000K	8100	80	9.50	3.35	50000	045923131233	12/1
S13124	100W/LED/HID/5K/277-480V/EX39	400	100	277-480	Corncob	EX39	5000K	15000	80	10.20	5.20	50000	045923131240	4/1

^ See warranty for details at www.satco.com

HI-PRO 360

Features:

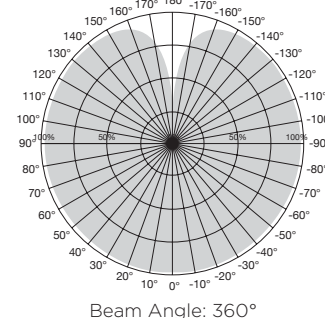
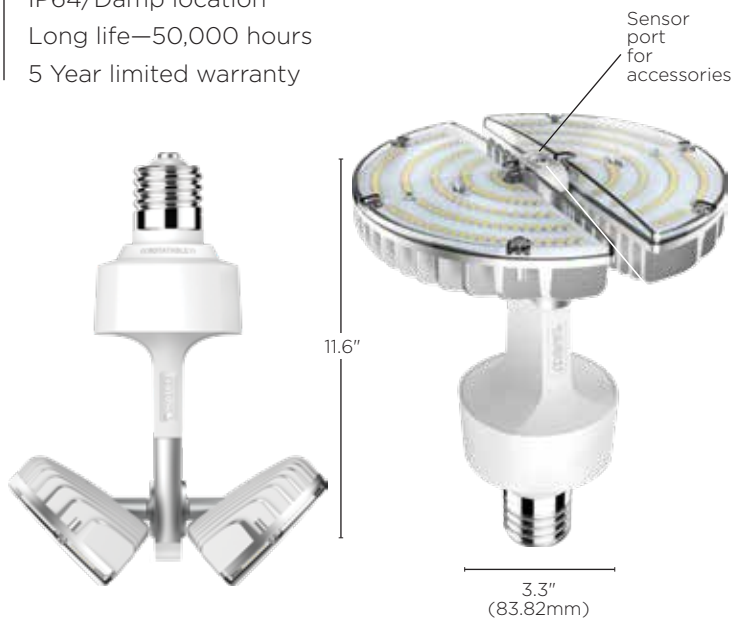
- Multi-angle rotating LED lamp with folding panel design
- Replaces HID, CFL, and incandescent
- Direct wire range voltage 100-277V
- Approved for totally enclosed fixtures ^
- 2700K 4000K or 5000K options
- Built-in 4K surge protection
- EX39 base
- IP64/Damp location
- Long life—50,000 hours
- 5 Year limited warranty

Application:

- Indoor/outdoor direct replacement
- Street lamps/shoe box
- High bays/low bays
- Parking garages
- Commercial and industrial security
- Gymnasiums and other high ceiling applications
- Outdoor canopies



Up, down, tilt, angle one side or both—almost unlimited lighting options



Item	Description	HID Equiv.	W	V	Bulb Shape	Base	CCT	Lm	CRI	MOL (in.)	MOD (in.)	Life (hrs.)	UPC	Pack
S13120◆	70W/LED/HID/HP360/827/100-277V	250	70	100-277	Corn cob	EX39	2700K	10500	80+	11.59	7.00	50K	045923131202	8/1
S13121◆	70W/LED/HID/HP360/840/100-277V	250	70	100-277	Corn cob	EX39	4000K	10500	80+	11.59	7.00	50K	045923131219	8/1
S13122◆	70W/LED/HID/HP360/850/100-277V	250	70	100-277	Corn cob	EX39	5000K	10500	80+	11.59	7.00	50K	045923131226	8/1
S13127◆	100W/LED/HID/HP360/850/100-277V	350	100	100-277	Corn cob	EX39	5000K	15000	80	12.35	4.60	50K	045923131271	4/1

Accessories

80-929	Hard Wire Surge Protector - 10kV												045923809293	
80-954	Hi-Pro Wi-Fi Module - (Satco STARFISH in the App store)												045923809549	
80-956	Hi-Pro Photocell - On/Off with adjustable settings for daylight and timers												045923809563	
80-957	Hi-Pro Microwave motion sensor - On/Off with standby dimming option												045923809570	

† Dimmable via WiFi accessory only. ^ See warranty for details at www.satco.com

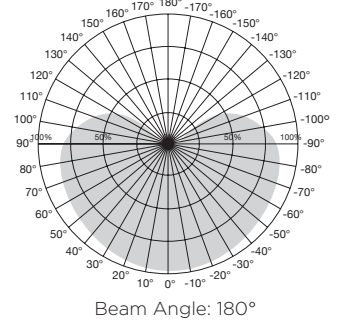
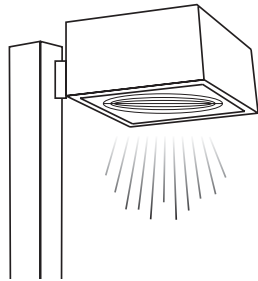
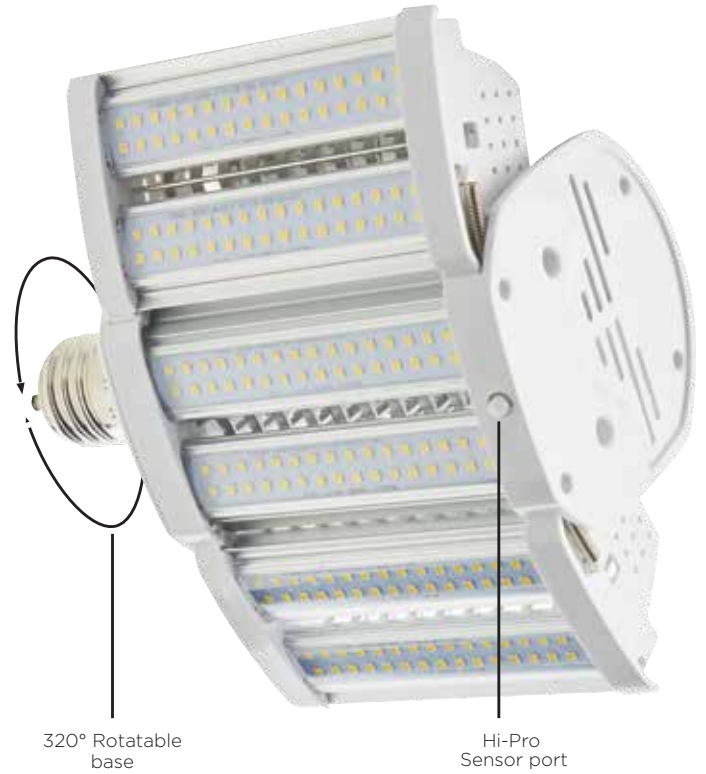
HI-PRO SHOEBOX LAMP WITH SENSOR PORT

Features:

- Greater efficiency
- 4kV surge protection
- Advanced heat dissipation
- Rotatable base
- New sensor port & accessories

Applications:

- Shoebox/Parking lot
- Canopy
- Landscape Flood



Item	Description	HID Equiv.	W	V	Bulb Shape	Base	CCT	Lm	CRI	MOL (in.)	MOD (in.)	Life (hrs.)	UPC	Pack
S28931	80W/LED/HID/SB/3K/EX39	250	80	100-277	Corncob	EX39	3000K	10400	83	8.77	4.38	50K	045923289316	4/1
S28932	80W/LED/HID/SB/5K/EX39	250	80	100-277	Corncob	EX39	5000K	10400	83	8.77	4.38	50K	045923289323	4/1
S28937	110W/LED/HID/SB/3K/EX39	400	110	100-277	Corncob	EX39	3000K	14300	83	11.13	4.38	50K	045923289378	4/1
S28938	110W/LED/HID/SB/5K/EX39	400	110	100-277	Corncob	EX39	5000K	14300	83	11.13	4.38	50K	045923289385	4/1

Accessories

80-929	Hard Wire Surge Protector - 10kV												045923809293	
80-954	Hi-Pro Wi-Fi Module - (Satco STARFISH in the App store)												045923809549	
80-956	Hi-Pro Photocell - On/Off with adjustable settings for daylight and timers												045923809563	
80-957	Hi-Pro Microwave motion sensor - On/Off with standby dimming option												045923809570	

^ See warranty for details at www.satco.com

Product sheet SA2687

HI-PRO LED WALL PACK LAMPS

Features:

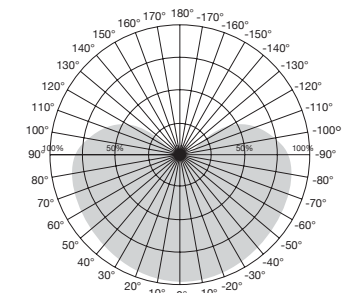
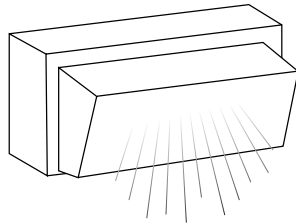
- 20/30/40/60 Watt options replaces up to 250 Watt HID
- Approved for totally enclosed fixtures ^
- Direct wire range voltage 100-277V
- IP64, higher efficiency, improved heat dissipation
- 4kV Surge protection
- Reduced size
- 180° beam/adjustable base (E26/E39)
- Horizontal operation
- DLC listed♦
- Damp location
- Long life—50,000 hours
- 5 Year limited warranty

Applications:

- Wall pack, canopy, shoe box, or cobra head fixtures



320° Swivel when installed



Beam Angle: 180°



Item	Description	HID Equiv.	W	V	Bulb Shape	Base	CCT	Lm	CRI	MOL (in.)	MOD (in.)	Life (hrs.)	UPC	Pack
S8928	20W/LED/HID/WP/5K/E26/100-277V	100	20	100-277	Corn-cob	E26	5000K	3000	80	5.31	3.13	50K	045923089282	24/1
S8980	30W/LED/HID/WP/5K/E26/100-277V	125	30	100-277	Corn-cob	E26	5000K	4500	80	7.20	3.60	50000	045923089800	12/6
S8929	40W/LED/HID/WP/5K/E26/100-277V	175	40	100-277	Corn-cob	E26	5000K	6000	80	7.81	3.13	50000	045923089299	12/6
S8930♦	40W/LED/HID/WP/5K/E39/100-277V	175	40	100-277	Corn-cob	E39	5000K	6000	80	8.50	3.13	50000	045923089305	12/6
S8987♦	60W/LED/HID/WP/5K/E39/100-277V	250	60	100-277	Corn-cob	E39	5000K	9000	80	10.63	3.13	50000	045923089879	12/6

Accessories

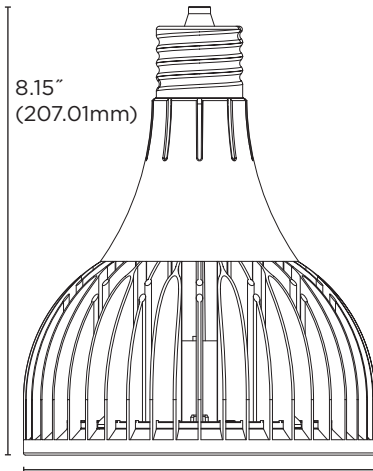
92-410	Mog to Med Socket Reducer												045923924064	
80-929	Hard Wire Surge Protector												045923809293	

^ See warranty for details at www.satco.com

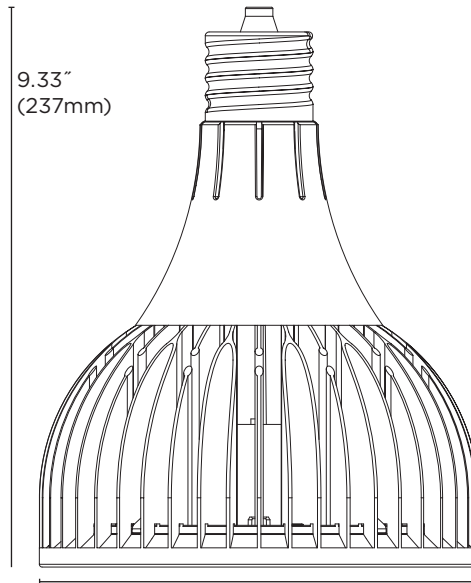
HI-PRO LED HIGH BAY/ LOW BAY LAMPS

Features:

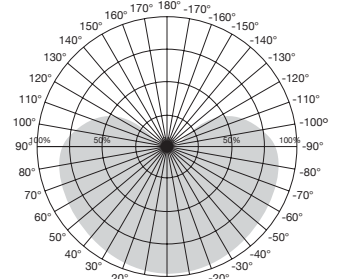
- Replaces HID lamps
- Up to 25,000 Lumens
- Advanced passive heat dissipation
- Wide, 180° beam angle
- Long neck design fits more fixtures
- Dimmable*
- Damp location
- 6kV built in surge protection
- DLC 5.1



S13150, S13151, S13152, S13153



S13154, S13155



Beam Angle: 180°



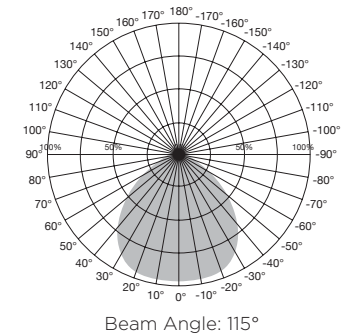
Item	Description	W	V	Base	Finish	CCT	Lm	CRI	Beam	MOL (in.)	Life (hrs.)	UPC	Pack
S13150	72W/LED/HID-HB/840/120-277V/DIM	72	120-277	EX39	WHITE	4000K	11,000	80	180°	8.15	50K	045923131509	4
S13151	72W/LED/HID-HB/850/120-277V/DIM	72	120-277	EX39	WHITE	5000K	11,000	80	180°	8.15	50K	045923131516	4
S13152	100W/LED/HID-HB/840/120-277V/DIM	100	120-277	EX39	WHITE	4000K	15,500	80	180°	8.15	50K	045923131523	4
S13153	100W/LED/HID-HB/850/120-277V/DIM	100	120-277	EX39	WHITE	5000K	15,500	80	180°	8.15	50K	045923131530	4
S13154	152W/LED/HID-HB/840/120-277V/DIM	152	120-277	EX39	WHITE	4000K	25,000	80	180°	9.33	50K	045923131547	4
S13155	152W/LED/HID-HB/850/120-277V/DIM	152	120-277	EX39	WHITE	5000K	25,000	80	180°	9.33	50K	045923131554	4

† See satco.com for dimmer compatibility

HI-PRO LED HIGH BAY/ LOW BAY LAMPS

Features:

- Replaces HID, CFL, and Incandescent
- 115° beam angle
- Long neck option fits more fixtures
- Direct wire range voltage 120-277V
- 6 kV Surge protection
- Light weight
- Advanced passive heat dissipation
- Long life—50,000 hours
- 5 Year limited warranty



Item	Description	HID Equiv.	W	V	Bulb Shape	Base	CCT	Lm	CRI	MOL (in.)	MOD (in.)	Life (hrs.)	UPC	Pack
S13112	80W/LED/HID-HB/4K/120-277V	250	80	120-277	Flood	EX39	4000K	10000	80	10.12	7.48	50K	045923131127	4/1
S13113	80W/LED/HID-HB/5K/120-277V	250	80	120-277	Flood	EX39	5000K	10000	80	10.12	7.48	50K	045923131134	4/1
S13114	130W/LED/HID-HB/4K/120-277V	400	130	120-277	Flood	EX39	4000K	16300	80	12.40	9.65	50K	045923131141	4/1
S13115	130W/LED/HID-HB/5K/120-277V	400	130	120-277	Flood	EX39	5000K	16300	80	12.40	9.65	50K	045923131158	4/1

Accessories

80-929 Hard Wire Surge Protector

045923809293

Product sheet SA2530

HI-PRO SENSORS ADJUSTABLE CONTROLS FOR LED HID REPLACEMENT LAMPS

80-954 Hi-Pro WiFi Module

Features:

- Access functions through Satco/Starfish App
- Dimming and time control
- Support single or group lamp control
- Available voice control: Amazon Echo, Google Home, etc.
- WiFi: 2.4GHz
- OS: Android 4.2 or newer, IOS 8.0 or newer

Specifications:

- Operating voltage: 15V DC + 2V
- Current: 20mA
- IP rating: IP20
- WiFi: 2.4GHz
- OS: Android 4.2 or newer, IOS 8.0 or newer
- Operating Temperature: -20°C (+4°F) to +60°C (+140°F)
- Warranty: 5 years



80-956 Hi-Pro Photocell

Features:

- Natural light detection
- Reaction lux options: 20 lx, 50 lx, 100 lx, 300 lx
- Adjustable hold time
- Standard 3.5mm Aux port connection

Specifications:

- Operating voltage: 15V DC + 2V
- Output voltage: 0-10V
- Current: 20mA
- IP rating: IP20
- Operating Temperature: -20°C (4°F) to +60°C (+140°F)
- Warranty: 5 years



80-955 Hi-Pro Motion Sensor / Infra-Red

Features:

- Motion detection area: 6m (19.7')
- Standby bi-level dimming: Off, 20% dim, 40% dim or 60% dim
- Hold time: up to 10 minutes
- Standard 3.5mm Aux port connection
- Not for use in enclosed fixtures

Specifications:

- Operating voltage: 15V DC + 2V
- Output voltage: 0-10V
- Current: 20mA
- IP rating: IP20
- Operating Temperature: -20°C (+4°F) to +35°C (+95°F)
- Warranty: 5 years



80-957 Hi-Pro Motion Sensor / Microwave

Features:

- Motion detection area: 10m (33')
- Standby bi-level dimming: Off, 20% dim, 40% dim or 60% dim
- Hold time: up to 10 minutes
- Suitable for use in enclosed fixtures (non-metallic)

Specifications:

- Operating voltage: 15V DC + 2V
- Output voltage: 0-10V
- Current: 20mA
- IP rating: IP20
- Operating Temperature: -20°C (+4°F) to +60°C (+140°F)
- Warranty: 5 years



Item	Description	UPC
80-954	Hi-Pro Wi-Fi Module - (Satco STARFISH in the App store)	045923809549
80-955	Hi-Pro Motion Sensor - Infra-Red - Standby bi-level dimming	045923809552
80-956	Hi-Pro Photocell - On/Off with adjustable settings for daylight and timers	045923809563
80-957	Hi-Pro Microwave motion sensor - On/Off with standby dimming option	045923809570

For Use with: Hi-Pro 360 (page 100), Shoebox Series (page 107) CCT Series (page 101)

Product sheet SA2634

HI-PRO LED TEMPORARY WORK LIGHTS



Features:

- Durable, lightweight with high impact cage
- Energy-efficient, high lumen LED lighting
- Omni-directional 300° beam angle
- Grounded 3-prong plug
- T-handle for mounting

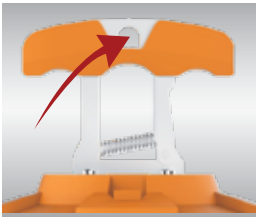
#16/3 Ga. SJTW-3 Orange Outdoor Extension Cords

Satco carries a full line of #16/3 Ga. outdoor extension cords, rugged enough for any job site. See catalog SA1700 or go to www.satco.com for details.

Item	Length
93-5034	8 ft.
93-5035	15 ft.
93-5005	25 ft.

Item	Length
93-5006	50 ft.
93-5007	100 ft.





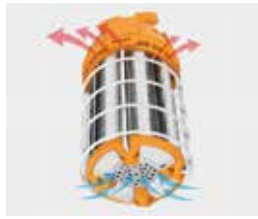
Center hole and T-Bar handle with trigger allows for secure installations from a carabiner hook and even light distribution



Warning light to show 277V input, preventing misuse of the connecting outlet



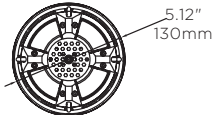
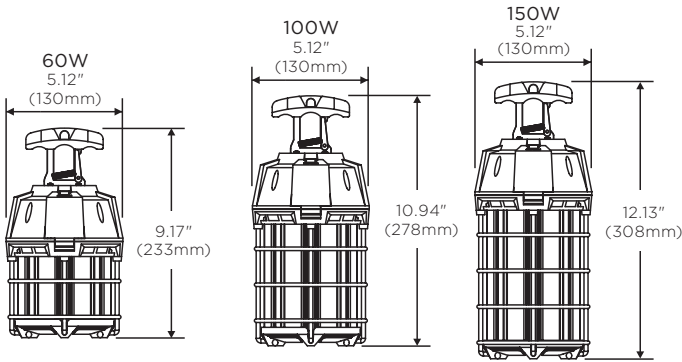
Improved durability of the protective cage



Enhanced passive heat sink design

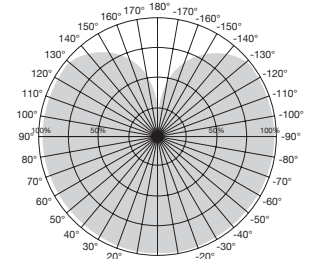


Linkable for longer runs from one power supply 6 foot cord included..



600W max linked units:

- 60W x 10 pcs. max
- 100W x 6 pcs. max
- 150W x 4 pcs. max



Beam Angle: 300°



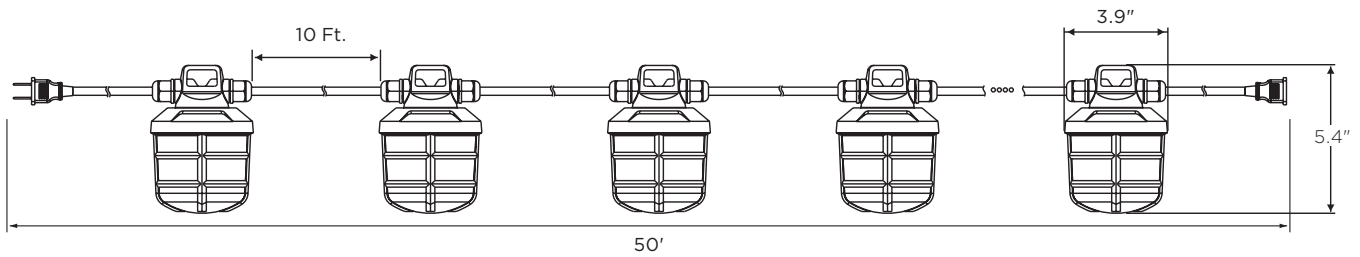
Item	Description	HID Equiv.	W	V	Bulb Shape	Base	CCT	Lm	CRI	MOL (in.)	MOD (in.)	Life (hrs.)	UPC	Pack
S38939	60W/LED/HID/TEMP/5K/120V	200	60	120	Corncob	Plug	5000K	6000	80	9.20	5.12	50K	045923389399	4
S38946	100W/LED/HID/TEMP/5K/120V	400	100	120	Corncob	Plug	5000K	10000	80	10.90	5.12	50K	045923389467	4
S38975	150W/LED/HID/TEMP/5K/120V	600	150	120	Corncob	Plug	5000K	15000	80	12.10	5.12	50K	045923389757	4

HI-PRO TEMPORARY CONSTRUCTION STRING LIGHT SET - 50FT.

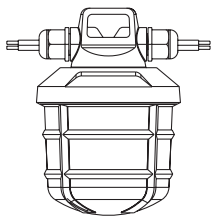


Features:

- For use in any commercial work area
- 5 Lights per string
- 50 Watt/6000 Lumens per string
- 10 ft. between lights
- Linkable up to 6 sets
- Replaces HID, CFL and Incandescent
- 300° Omni-directional light
- Portable/plug-in, 120V
- IP65—Water and dust proof
- 18 AWG cable



5 x 10W Lamps

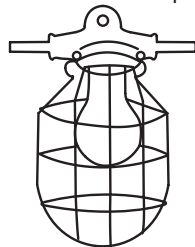


Total 50W

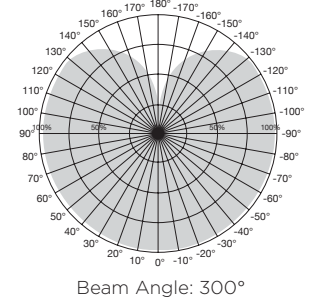
Replace



5 x 75W Lamps



Total 375W



Item	Description	HID Equiv.	W	V	Bulb Shape	Base	CCT	Lm	CRI	MOL (in.)	MOD (in.)	Life (hrs.)	UPC	Pack
S28976	50-FT/LED/5PC/TEMP/STRING/120V	200	50	120	Corncob	Plug	5000K	6000	80	5.300	3.70	50K	045923289767	2/1

Product sheet SA2716

LED/CFL BALLAST BYPASS TYPE B REPLACEMENT LAMPS 2-PIN G23, GX23 BASE

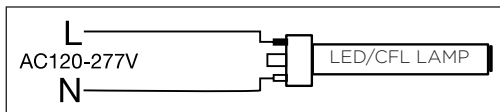


Features

- 4.5W G23 replaces 5W, 7W & 9W CFL
- 6W GX23 replaces 13W CFL
- 2-Sided illumination
- Instant on to full brightness / no flickering
- Vertical or horizontal applications
- Up to 50% energy saving
- c-UL-us Classified
- Long life—50,000 hours
- 5 Year warranty



2 - Sided illumination



Wiring diagram



G23 Base

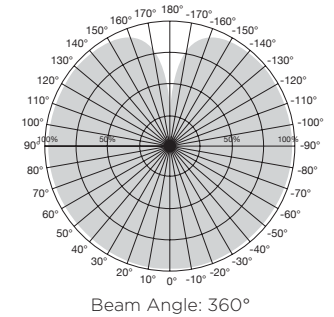


GX23 Base



4.5 Watts

6 Watts



Beam Angle: 360°

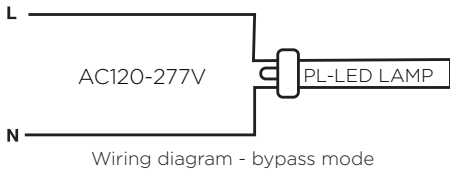
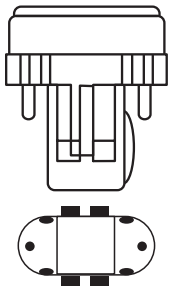


Item	Description	W	V	Bulb Shape	Base	Finish	CCT	Lm	CRI	Beam	MOL (in.)	Life (hrs.)	UPC	Pack
5, 7, 9 Watt Replacement														
S18400	4.5W/LED/CFL/827/G23/BP	4.5	120-277	PL	G23	FR	2700K	450	80	360°	6.54	50K	045923184000	50/10
S18401	4.5W/LED/CFL/830/G23/BP	4.5	120-277	PL	G23	FR	3000K	450	80	360°	6.54	50K	045923184017	50/10
S18402	4.5W/LED/CFL/835/G23/BP	4.5	120-277	PL	G23	FR	3500K	450	80	360°	6.54	50K	045923184024	50/10
S18403	4.5W/LED/CFL/840/G23/BP	4.5	120-277	PL	G23	FR	4000K	450	80	360°	6.54	50K	045923184031	50/10
S18404	4.5W/LED/CFL/850/G23/BP	4.5	120-277	PL	G23	FR	5000K	450	80	360°	6.54	50K	045923184048	50/10
13 Watt Replacement														
S28725	6W/LED/CFL/827/GX23/BP/G2	6	120-277	PL	GX23	FR	2700K	600	80	360°	7.09	50K	045923287251	50/10
S28726	6W/LED/CFL/830/GX23/BP/G2	6	120-277	PL	GX23	FR	3000K	600	80	360°	7.09	50K	045923287268	50/10
S28727	6W/LED/CFL/835/GX23/BP/G2	6	120-277	PL	GX23	FR	3500K	600	80	360°	7.09	50K	045923287275	50/10
S28728	6W/LED/CFL/840/GX23/BP/G2	6	120-277	PL	GX23	FR	4000K	600	80	360°	7.09	50K	045923287282	50/10
S28729	6W/LED/CFL/850/GX23/BP/G2	6	120-277	PL	GX23	FR	5000K	600	80	360°	7.09	50K	045923287299	50/10

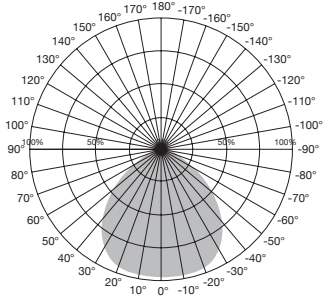
LED/CFL DUAL MODE LAMPS (BALLAST BYPASS TYPE B/ BALLAST COMPATIBLE TYPE A)

Features:

- Direct replacements for CFL GX23 base lamps in existing fixtures with or without ballasts.*
- Over 50% energy savings vs. standard
- Ballast compatible and ballast bypass in one lamp
- Instant-on full brightness / no flickering
- 120-277V in bypass mode
- Damp location
- Long life—50,000 hours
- c-UL-us Listed - Type A
- c-UL-us Classified - Type B
- 5 Year warranty



2 - Sided illumination



Item	Description	W	V	Bulb Shape	Base	Finish	CCT	Lm	CRI	Beam	MOL (in.)	Life (hrs.)	UPC	Pack
S11550	5.5W/LED/CFL/827/2P/DUAL	5.5	120-277	PL	GX23	FR	2700K	500	80	120°	5.98	50K	045923115509	50/10
S11551	5.5W/LED/CFL/830/2P/DUAL	5.5	120-277	PL	GX23	FR	3000K	500	80	120°	5.98	50K	045923115516	50/10
S11552	5.5W/LED/CFL/835/2P/DUAL	5.5	120-277	PL	GX23	FR	3500K	500	80	120°	5.98	50K	045923115523	50/10
S11553	5.5W/LED/CFL/840/2P/DUAL	5.5	120-277	PL	GX23	FR	4000K	550	80	120°	5.98	50K	045923115530	50/10
S11554	5.5W/LED/CFL/850/2P/DUAL	5.5	120-277	PL	GX23	FR	5000K	550	80	120°	5.98	50K	045923115547	50/10

* Visit www.satco.com for an approved ballast list.

LED/CFL TYPE A DIRECT REPLACEMENT LAMPS

4-PIN (ELECTRONIC BALLASTS)

2-PIN (MAGNETIC BALLASTS)

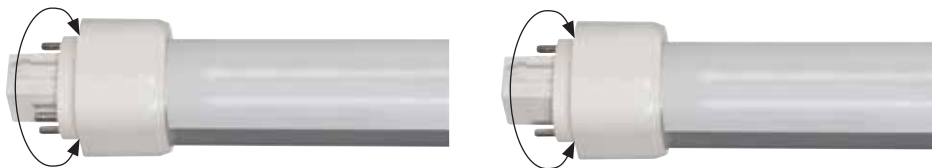
Features:

- 4-pin 26, 32, 42 Watt direct replacement
- 2-pin 26 Watt direct replacement
- 4-pin lamps fit G24q-3 & GX24q-3 and GX24q-4 sockets
- 2-pin lamps fit G24d-3 sockets
- No re-wiring needed
- Instant on to full brightness / no flickering
- Vertical and horizontal options
- Up to 70% energy saving
- DLC listed♦ (4-pin only)
- c-UL-us listed
- Long life—50,000 hours
- 5 Year warranty



G24Q

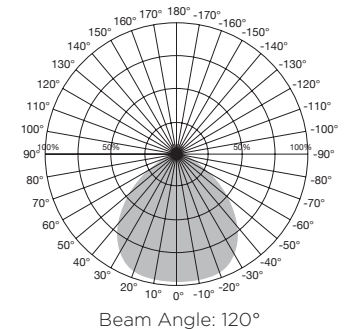
G24D



G24Q

Rotates 270° when installed

G24D



Item	Description	W	Base	Finish	CCT	Lm	CRI	Beam	MOL (in)	Life (hrs.)	UPC	Pack
4-Pin Horizontal												
S29850♦	9WPLH/LED/830/DR/4P	9	G24q	FR	3000K	1050	82	120°	6.63	50K	045923298509	50/10
S29851♦	9WPLH/LED/835/DR/4P	9	G24q	FR	3500K	1050	82	120°	6.63	50K	045923298516	50/10
S29852♦	9WPLH/LED/840/DR/4P	9	G24q	FR	4000K	1100	82	120°	6.63	50K	045923298523	50/10
S29853♦	9WPLH/LED/850/DR/4P	9	G24q	FR	5000K	1100	82	120°	6.63	50K	045923298530	50/10
2-Pin Horizontal												
S9854	9WPLH/LED/830/DR/2P	9	G24d	FR	3000K	850	82	120°	6.63	50K	045923098543	50/10
S9855	9WPLH/LED/835/DR/2P	9	G24d	FR	3500K	850	82	120°	6.63	50K	045923098550	50/10
S9856	9WPLH/LED/840/DR/2P	9	G24d	FR	4000K	900	82	120°	6.63	50K	045923098567	50/10
S9857	9WPLH/LED/850/DR/2P	9	G24d	FR	5000K	900	82	120°	6.63	50K	045923098574	50/10
4-Pin Vertical												
S29858♦	9WPLV/LED/830/DR/4P	9	G24q	FR	3000K	1050	82	120°	4.69	50K	045923298585	50/10
S29859♦	9WPLV/LED/835/DR/4P	9	G24q	FR	3500K	1050	82	120°	4.69	50K	045923298592	50/10
S29860♦	9WPLV/LED/840/DR/4P	9	G24q	FR	4000K	1100	82	120°	4.69	50K	045923298608	50/10
S29861♦	9WPLV/LED/850/DR/4P	9	G24q	FR	5000K	1100	82	120°	4.69	50K	045923298615	50/10
2-Pin Vertical												
S9862	9WPLV/LED/830/DR/2P	9	G24d	FR	3000K	850	82	120°	4.69	50K	045923098628	50/10
S9863	9WPLV/LED/835/DR/2P	9	G24d	FR	3500K	850	82	120°	4.69	50K	045923098635	50/10
S9864	9WPLV/LED/840/DR/2P	9	G24d	FR	4000K	900	82	120°	4.69	50K	045923098642	50/10
S9865	9WPLV/LED/850/DR/2P	9	G24d	FR	5000K	900	82	120°	4.69	50K	045923098659	50/10

Product sheet SA1979

PL/LED BALLAST BYPASS TYPE B REPLACEMENT LAMPS

Features:

UL Classified

2-pin replacement for up to 26 Watt pin based CFL, uses only 9 Watts

2-pin LED lamps works in both 2-pin (magnetic) and 4-pin (electronic) sockets

- G24d (2-pin)—18 and 26W rep.

- G24q (4-pin)—13, 18, and 26 rep.

Direct wire 120-277V

Instant on to full brightness / no flickering

Rotates up to 270° for various fixture applications

Vertical and horizontal options

Up to 70% energy saving

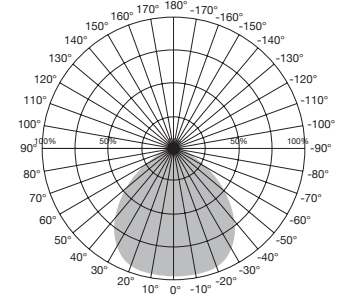
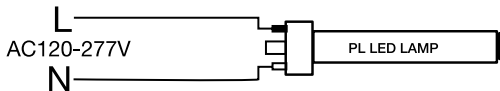
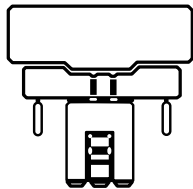
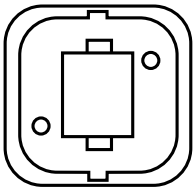
Damp location

Long life—50,000 hours

5 Year warranty



Rotates 270°
when installed



Beam Angle: 120°



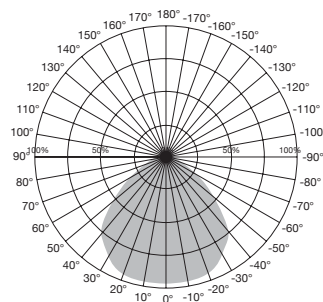
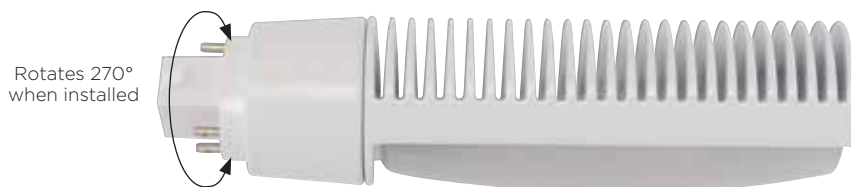
Item	Description	W	V	Bulb Shape	Base	Finish	CCT	Lm	CRI	Beam	MOL (in.)	Life (hrs.)	UPC	Pack
Horizontal														
S8530	9WPLH/LED/827/BP/2P	9	120-277	PL	G24d	FR	2700K	900	82	120°	6.63	50K	045923085307	50/10
S8531	9WPLH/LED/830/BP/2P	9	120-277	PL	G24d	FR	3000K	950	82	120°	6.63	50K	045923085314	50/10
S8532	9WPLH/LED/835/BP/2P	9	120-277	PL	G24d	FR	3500K	950	82	120°	6.63	50K	045923085321	50/10
S8533	9WPLH/LED/840/BP/2P	9	120-277	PL	G24d	FR	4000K	1000	82	120°	6.63	50K	045923085338	50/10
S8534	9WPLH/LED/850/BP/2P	9	120-277	PL	G24d	FR	5000K	1000	82	120°	6.63	50K	045923085345	50/10
Vertical														
S8535	9WPLV/LED/827/BP/2P	9	120-277	PL	G24d	FR	2700K	900	82	120°	4.69	50K	045923085352	50/10
S8536	9WPLV/LED/830/BP/2P	9	120-277	PL	G24d	FR	3000K	950	82	120°	4.69	50K	045923085369	50/10
S8537	9WPLV/LED/835/BP/2P	9	120-277	PL	G24d	FR	3500K	950	82	120°	4.69	50K	045923085376	50/10
S8538	9WPLV/LED/840/BP/2P	9	120-277	PL	G24d	FR	4000K	1000	82	120°	4.69	50K	045923085383	50/10
S8539	9WPLV/LED/850/BP/2P	9	120-277	PL	G24d	FR	5000K	1000	82	120°	4.69	50K	045923085390	50/10

Product sheet SA2328

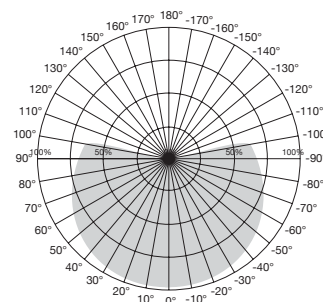
LED/CFL TYPE A DIRECT REPLACEMENT LAMPS 4-PIN (ELECTRONIC BALLASTS*)

Features:

- UL listed 4-pin 42 Watt direct replacement*
- 4-pin lamps fit GX24q-4 sockets
- No re-wiring needed
- Instant on to full brightness / no flickering
- Vertical and horizontal options
- DLC Listed
- c-UL-us listed
- Up to 60% energy saving
- Long life—50,000 hours
- 5 Year warranty



Vertical Beam Angle: 110°



Horizontal Beam Angle: 100°



Item	Description	W	Base	Finish	CCT	Lm	CRI	Beam	MOL (in)	Life (hrs.)	UPC	Pack
Horizontal												
S21400	PLT/16W/H/LED/830/4P/DR	16	G24q	FR	3000K	1750	82	100°	6.44	50K	045923224003	20/10
S21401	PLT/16W/H/LED/835/4P/DR	16	G24q	FR	3500K	1750	82	100°	6.44	50K	045923224010	20/10
S21402	PLT/16W/H/LED/840/4P/DR	16	G24q	FR	4000K	1850	82	100°	6.44	50K	045923224027	20/10
S21403	PLT/16W/H/LED/850/4P/DR	16	G24q	FR	5000K	1850	82	100°	6.44	50K	045923224034	20/10
Vertical												
S21404	PLT/16W/V/LED/830/4P/DR	16	G24q	FR	3000K	1750	82	110°	5.19	50K	045923224041	20/10
S21405	PLT/16W/V/LED/835/4P/DR	16	G24q	FR	3500K	1750	82	110°	5.19	50K	045923224058	20/10
S21406	PLT/16W/V/LED/840/4P/DR	16	G24q	FR	4000K	1850	82	110°	5.19	50K	045923224065	20/10
S21407	PLT/16W/V/LED/850/4P/DR	16	G24q	FR	5000K	1850	82	110°	5.19	50K	045923224072	20/10

*Visit www.satco.com for ballast compatibility list.

LED/CFL BALLAST BYPASS TYPE B REPLACEMENT LAMPS GU24 BASE, E26 BASE

Features:

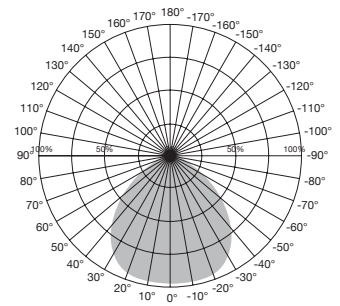
- GU24 Base and E26 Base are 13-18 Watt CFL and 60 Watt Incandescent direct replacements
- Instant on to full brightness / no flickering
- Rotates up to 270° for various fixture applications
- Vertical and horizontal options
- Up to 70% energy saving
- c-UL-us listed—GU24 base, E26 base
- Long life—50,000 hours
- 5 Year warranty



E26

GU24

Rotates 270° when installed



Beam Angle: 120°



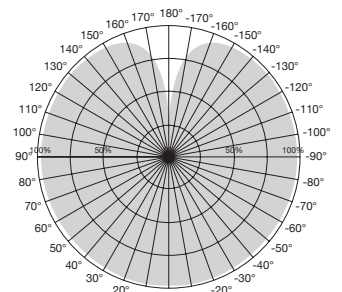
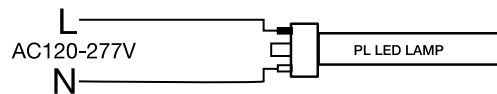
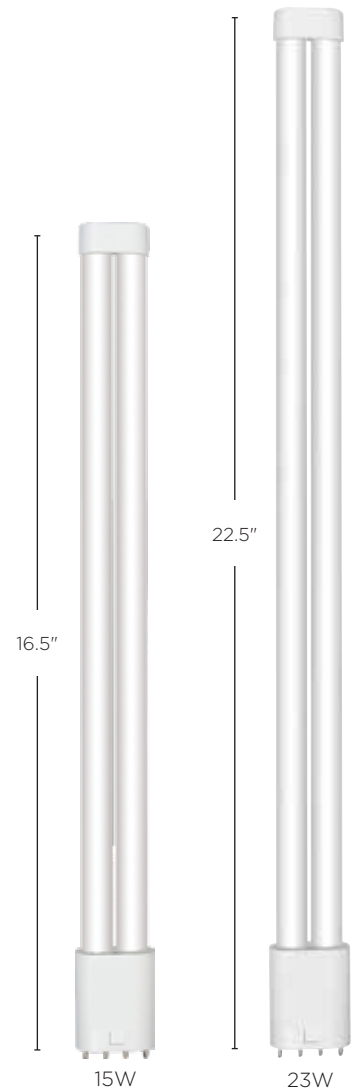
Item	Description	W	V	Bulb Shape	Base	Finish	CCT	Lm	CRI	MOL (in.)	MOD (in.)	Life (hrs.)	UPC	Pack
GU24 Base														
S8745	8W/H/LED/CFL/827/GU24/120-277V	8	120-277	PL	GU24	FR	2700K	920	83	6.41	1.38	50K	045923087455	50/10
S8746	8W/H/LED/CFL/830/GU24/120-277V	8	120-277	PL	GU24	FR	3000K	920	83	6.41	1.38	50K	045923087462	50/10
S8747	8W/H/LED/CFL/835/GU24/120-277V	8	120-277	PL	GU24	FR	3500K	960	83	6.41	1.38	50K	045923087479	50/10
S8748	8W/H/LED/CFL/840/GU24/120-277V	8	120-277	PL	GU24	FR	4000K	960	83	6.41	1.38	50K	045923087486	50/10
S8749	8W/H/LED/CFL/850/GU24/120-277V	8	120-277	PL	GU24	FR	5000K	960	83	6.41	1.38	50K	045923087493	50/10
E26 Base														
S8755	8W/H/LED/CFL/827/E26/120-277V	8	120-277	PL	E26	FR	2700K	920	83	6.88	1.38	50K	045923087554	50/10
S8756	8W/H/LED/CFL/830/E26/120-277V	8	120-277	PL	E26	FR	3000K	920	83	6.88	1.38	50K	045923087561	50/10
S8757	8W/H/LED/CFL/835/E26/120-277V	8	120-277	PL	E26	FR	3500K	960	83	6.88	1.38	50K	045923087578	50/10
S8758	8W/H/LED/CFL/840/E26/120-277V	8	120-277	PL	E26	FR	4000K	960	83	6.88	1.38	50K	045923087585	50/10
S8759	8W/H/LED/CFL/850/E26/120-277V	8	120-277	PL	E26	FR	5000K	960	83	6.88	1.38	50K	045923087592	50/10

Product sheet SA2119

2G11 PLL 36W & 40W TYPE B BALLAST BYPASS REPLACEMENT FOR 4-PIN PL-L

Features:

- Direct wire 120-277V
- All glass tube
- Over 40% energy savings
- Instant on to full brightness/no flickering
- c-UL-us classified
- Long life—50,000 hours
- 5 Year warranty



Item	Description	W	V	Bulb Shape	Base	Finish	CCT	Lm	CRI	Beam	MOL (in.)	Life (hrs.)	UPC	Pack
S9952	15PLL/LED/835/BP	15	120-277	T5	2G11	FR	3500K	1900	80	360°	16.50	50K	045923099526	10
S9953	15PLL/LED/840/BP	15	120-277	T5	2G11	FR	4000K	2000	80	360°	16.50	50K	045923099533	10
S9950◆	23PLL/LED/835/BP	23	120-277	T5	2G11	FR	3500K	2800	82	360°	22.50	50K	045923099502	10
S9951◆	23PLL/LED/840/BP	23	120-277	T5	2G11	FR	4000K	2800	82	360°	22.50	50K	045923099519	10

Product sheet SA2194

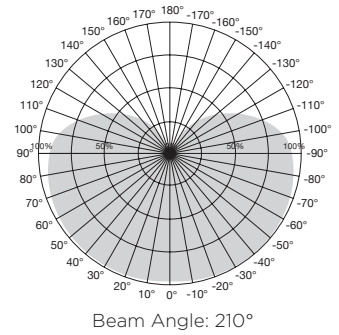
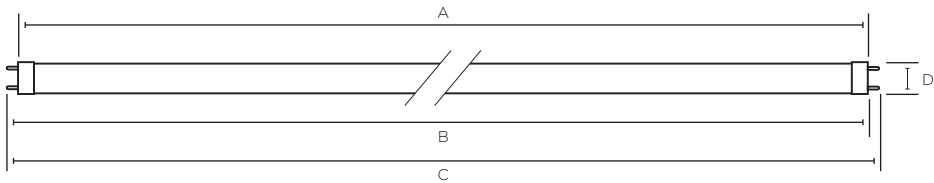
T8 LED 2', 3', & 4' TYPE A LAMPS - BALLAST COMPATIBLE



Features:

- High efficiency - up to 163 LPW
- Plug and play replacement*
- All glass tubes: no aging, yellowing or bending
- Integrated thermal fuse at pins
- DLC 5.1
- Operating Temperature Range: -20°C(-4°F) to a maximum of +45°C(+113°F)
- Long life—50,000 hours
- Compatible with most instant start, rapid start T8 electronic ballasts and some emergency and dimming ballasts*
- Approved for use with tube guards when operated on Low or Normal ballast factor systems

*May not be compatible with all IS, RS, DM and EM ballasts. Visit www.satco.com for an approved list.



Size	WATTAGE	A		B		C		D	
		Min (inch)	Max (inch)	Min (inch)	Max (inch)	Min (inch)	Max (inch)	Min (inch)	Max (inch)
2 Foot	8W	—	23.21	23.40	23.50	23.67	23.78	0.98	1.02
3 Foot	10W	—	35.22	35.40	35.50	35.67	35.78	0.98	1.02
4 Foot	9.5W/11W/14W	—	47.22	47.40	47.50	47.67	47.78	0.98	1.02



Item	Description	W	Base	Finish	CCT	Lm	CRI	Beam	MOL (in)	Nominal (in)	Life (hrs.)	UPC	Pack
2' LED 8W T8													
S49946	8T8/LED/24-830/DR	8	G13	GLOSS WH	3000K	1250	82	210°	23.78	24.00	50K	045923499463	25
S49947	8T8/LED/24-835/DR	8	G13	GLOSS WH	3500K	1250	82	210°	23.78	24.00	50K	045923499470	25
S49948	8T8/LED/24-840/DR	8	G13	GLOSS WH	4000K	1250	82	210°	23.78	24.00	50K	045923499487	25
S49949	8T8/LED/24-850/DR	8	G13	GLOSS WH	5000K	1250	82	210°	23.78	24.00	50K	045923499494	25
3' LED 10W T8													
S49990	10T8/LED/36-830/DR	10	G13	GLOSS WH	3000K	1450	82	210°	35.78	36.00	50K	045923499906	25
S49991	10T8/LED/36-835/DR	10	G13	GLOSS WH	3500K	1450	82	210°	35.78	36.00	50K	045923499913	25
S49992	10T8/LED/36-840/DR	10	G13	GLOSS WH	4000K	1450	82	210°	35.78	36.00	50K	045923499920	25
S49993	10T8/LED/36-850/DR	10	G13	GLOSS WH	5000K	1450	82	210°	35.78	36.00	50K	045923499937	25
4' LED 9.5W T8													
S11740	9.5/T8/LED/48-830/DR	9.5	G13	GLOSS WH	3000K	1740	82	210°	47.78	48.00	50K	045923117404	25
S11741	9.5/T8/LED/48-835/DR	9.5	G13	GLOSS WH	3500K	1740	82	210°	47.78	48.00	50K	045923117411	25
S11742	9.5/T8/LED/48-840/DR	9.5	G13	GLOSS WH	4000K	1740	82	210°	47.78	48.00	50K	045923117428	25
S11743	9.5/T8/LED/48-850/DR	9.5	G13	GLOSS WH	5000K	1740	82	210°	47.78	48.00	50K	045923117435	25
4' LED 11W T8													
S49934	11/T8/LED/48-830/DR	11	G13	GLOSS WH	3000K	1800	82	210°	47.78	48.00	50K	045923499340	25
S49935	11/T8/LED/48-835/DR	11	G13	GLOSS WH	3500K	1800	82	210°	47.78	48.00	50K	045923499357	25
S49936	11/T8/LED/48-840/DR	11	G13	GLOSS WH	4000K	1800	82	210°	47.78	48.00	50K	045923499364	25
S49937	11/T8/LED/48-850/DR	11	G13	GLOSS WH	5000K	1800	82	210°	47.78	48.00	50K	045923499371	25
4' LED 14W T8													
S49975	14/T8/LED/48-830/DR	14	G13	GLOSS WH	3000K	2200	82	210°	47.78	48.00	50K	045923499753	25
S49976	14/T8/LED/48-835/DR	14	G13	GLOSS WH	3500K	2200	82	210°	47.78	48.00	50K	045923499760	25
S49977	14/T8/LED/48-840/DR	14	G13	GLOSS WH	4000K	2200	82	210°	47.78	48.00	50K	045923499777	25
S49978	14/T8/LED/48-850/DR	14	G13	GLOSS WH	5000K	2200	82	210°	47.78	48.00	50K	045923499784	25

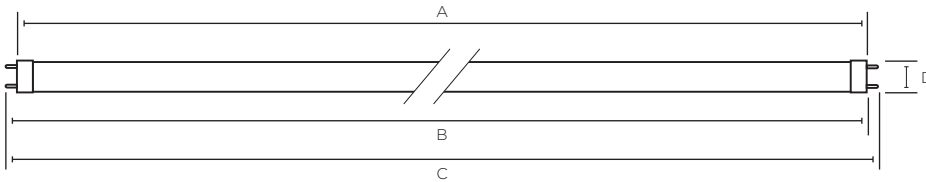
Product sheet SA2756

T8 LED 2', 3', & 4' TYPE B LAMPS - BALLAST BYPASS



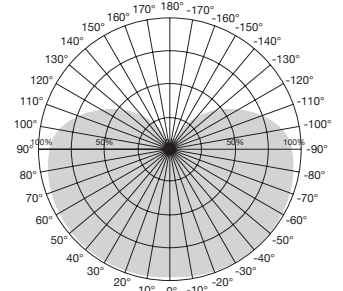
Features:

- Single or double ending wiring*
- Installation protection**
- All-glass tube
- Direct wire 120-277 line voltage
- Damp location
- DLC Listed
- Long life—50,000 Hours



Dimensions

Size	WATTAGE	A Length (in.)	B Length (in.)	C Length (in.)	D Length (in.)
2 Foot	9W	23.21	23.50	23.78	1.02
3 Foot	12W	35.22	35.50	35.78	1.02
4 Foot	10.5W/14W/17W	47.22	47.50	47.78	1.02



Beam Angle: 210°



Item	Description	W	V	Bulb Shape	Base	Finish	CCT	Lm	CRI	Beam	MOL (in.)	Nominal (in.)	Life (hrs.)	UPC	Pack
2' LED T8															
S39900	9T8/LED/24-830/BP/SE-DE	9	120-277	T8	G13	GLOSS WH	3000K	1100	82	210°	24.00	23.78	50K	045923399008	25
S39901	9T8/LED/24-835/BP/SE-DE	9	120-277	T8	G13	GLOSS WH	3500K	1100	82	210°	24.00	23.78	50K	045923399015	25
S39902	9T8/LED/24-840/BP/SE-DE	9	120-277	T8	G13	GLOSS WH	4000K	1150	82	210°	24.00	23.78	50K	045923399022	25
S39903	9T8/LED/24-850/BP/SE-DE	9	120-277	T8	G13	GLOSS WH	5000K	1150	82	210°	24.00	23.78	50K	045923399039	25
3' LED T8															
S39926	12T8/LED/36-830/BP/SE-DE	12	120-277	T8	G13	GLOSS WH	3000K	1400	82	210°	35.78	36.00	50K	045923399268	25
S39927	12T8/LED/36-835/BP/SE-DE	12	120-277	T8	G13	GLOSS WH	3500K	1400	82	210°	35.78	36.00	50K	045923399275	25
S39928	12T8/LED/36-840/BP/SE-DE	12	120-277	T8	G13	GLOSS WH	4000K	1450	82	210°	35.78	36.00	50K	045923399282	25
S39929	12T8/LED/36-850/BP/SE-DE	12	120-277	T8	G13	GLOSS WH	5000K	1450	82	210°	35.78	36.00	50K	045923399299	25
4' LED T8															
S11960	10.5T8/LED/48-830/BP/SE-DE	10.5	120-277	T8	G13	GLOSS WH	3000K	1700	82	210°	47.78	48.00	50K	045923119606	25
S11961	10.5T8/LED/48-835/BP/SE-DE	10.5	120-277	T8	G13	GLOSS WH	3500K	1700	82	210°	47.78	48.00	50K	045923119613	25
S11962	10.5T8/LED/48-840/BP/SE-DE	10.5	120-277	T8	G13	GLOSS WH	4000K	1700	82	210°	47.78	48.00	50K	045923119620	25
S11963	10.5T8/LED/48-850/BP/SE-DE	10.5	120-277	T8	G13	GLOSS WH	5000K	1700	82	210°	47.78	48.00	50K	045923119637	25
S39913	14T8/LED/48-830/BP/SE-DE	14	120-277	T8	G13	GLOSS WH	3000K	1700	82	210°	47.78	48.00	50K	045923399138	25
S39914	14T8/LED/48-835/BP/SE-DE	14	120-277	T8	G13	GLOSS WH	3500K	1700	82	210°	47.78	48.00	50K	045923399145	25
S39915	14T8/LED/48-840/BP/SE-DE	14	120-277	T8	G13	GLOSS WH	4000K	1800	82	210°	47.78	48.00	50K	045923399152	25
S39916	14T8/LED/48-850/BP/SE-DE	14	120-277	T8	G13	GLOSS WH	5000K	1800	82	210°	47.78	48.00	50K	045923399169	25
S21924	14T8/LED/48-865/BP/SE-DE	14	120-277	T8	G13	GLOSS WH	6500K	1800	82	210°	47.78	48.00	50K	045923219245	25
S39904	17T8/LED/48-830/BP/SE-DE	17	120-277	T8	G13	GLOSS WH	3000K	2100	82	210°	47.78	48.00	50K	045923399046	25
S39905	17T8/LED/48-835/BP/SE-DE	17	120-277	T8	G13	GLOSS WH	3500K	2100	82	210°	47.78	48.00	50K	045923399053	25
S39906	17T8/LED/48-840/BP/SE-DE	17	120-277	T8	G13	GLOSS WH	4000K	2200	82	210°	47.78	48.00	50K	045923399060	25
S39907	17T8/LED/48-850/BP/SE-DE	17	120-277	T8	G13	GLOSS WH	5000K	2200	82	210°	47.78	48.00	50K	045923399077	25

*Single ended wiring requires non-shunted sockets.

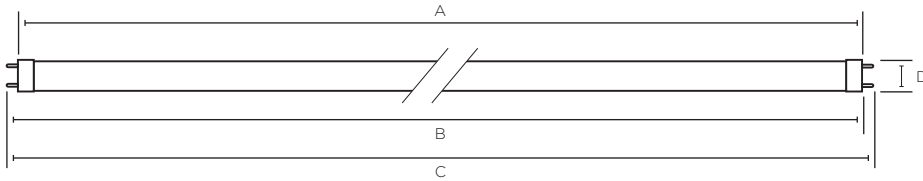
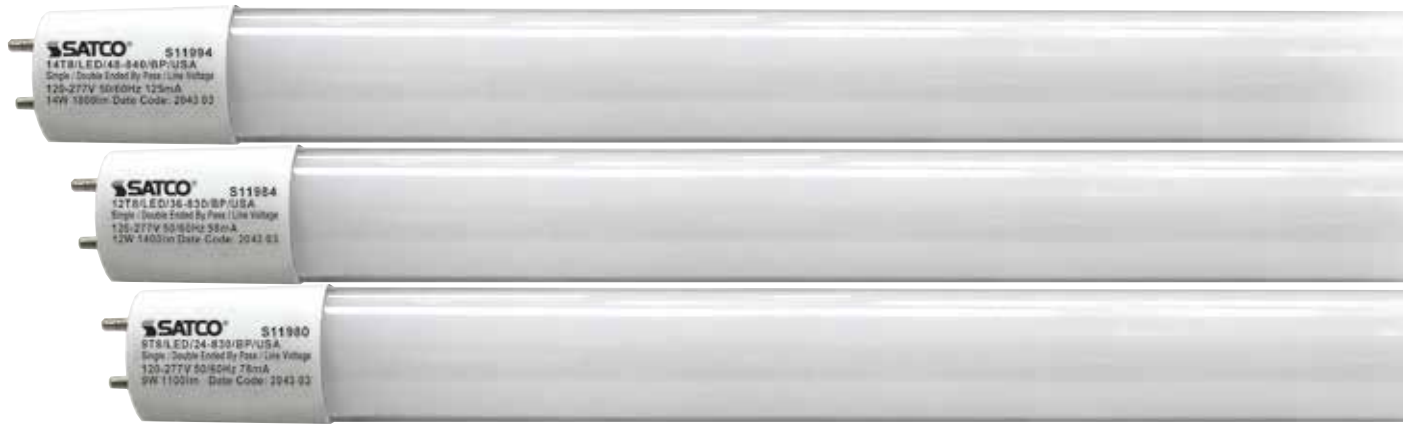
**Protection against improper installation. Lamps will not light if the ballast has not been bypassed.

2', 3', & 4' LED T8 BAA COMPLIANT BALLAST BYPASS LAMPS



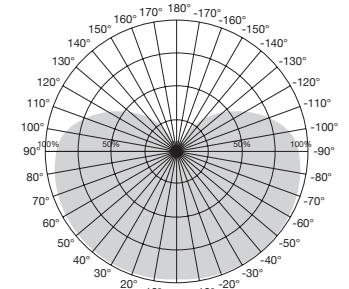
Features:

- Buy American Act (BAA)
- Single or double ended wiring*
- Installation protection**
- All-glass tubes
- Direct wire 120-277V line voltage
- Suitable for damp locations
- DLC 5.1
- Operating temp. -20°C/-4°F to 45°C/113°F
- Compatible with Satco S8000 and S8002 LED EM Driver
- Long life—50,000 hours



Dimensions

Size	WATTAGE	A Length (in.)	B Length (in.)	C Length (in.)	D Length (in.)
2 Foot	9W	23.21	23.50	23.78	1.02
3 Foot	12W	35.22	35.50	35.78	1.02
4 Foot	10.5W/14W/17W	47.22	47.50	47.78	1.02



Beam Angle: 210°



Item	Description	W	V	Bulb Shape	Base	Finish	CCT	Lm	CRI	Beam	MOL (in.)	Nominal (in.)	Life (hrs.)	UPC	Pack
2' LED T8															
S11980	9T8/LED/24-830/BP/USA	9	120-277	T8	G13	FR	3000K	1100	82	210°	23.78	24.00	50K	045923119804	25
S11981	9T8/LED/24-835/BP/USA	9	120-277	T8	G13	FR	3500K	1100	82	210°	23.78	24.00	50K	045923119811	25
S11982	9T8/LED/24-840/BP/USA	9	120-277	T8	G13	FR	4000K	1150	82	210°	23.78	24.00	50K	045923119828	25
S11983	9T8/LED/24-850/BP/USA	9	120-277	T8	G13	FR	5000K	1150	82	210°	23.78	24.00	50K	045923119835	25
3' LED T8															
S11984	12T8/LED/36-830/BP/USA	12	120-277	T8	G13	FR	3000K	1400	82	210°	35.78	36.00	50K	045923119842	25
S11985	12T8/LED/36-835/BP/USA	12	120-277	T8	G13	FR	3500K	1400	82	210°	35.78	36.00	50K	045923119859	25
S11986	12T8/LED/36-840/BP/USA	12	120-277	T8	G13	FR	4000K	1450	82	210°	35.78	36.00	50K	045923119866	25
S11987	12T8/LED/36-850/BP/USA	12	120-277	T8	G13	FR	5000K	1450	82	210°	35.78	36.00	50K	045923119873	25
4' LED T8															
S11988	10.5T8/LED/48-830/BP/USA	10.5	120-277	T8	G13	FR	3000K	1700	82	210°	47.78	48.00	50K	045923119880	25
S11989	10.5T8/LED/48-835/BP/USA	10.5	120-277	T8	G13	FR	3500K	1700	82	210°	47.78	48.00	50K	045923119897	25
S11990	10.5T8/LED/48-840/BP/USA	10.5	120-277	T8	G13	FR	4000K	1700	82	210°	47.78	48.00	50K	045923119903	25
S11991	10.5T8/LED/48-850/BP/USA	10.5	120-277	T8	G13	FR	5000K	1700	82	210°	47.78	48.00	50K	045923119910	25
S11992	14T8/LED/48-830/BP/USA	14	120-277	T8	G13	FR	3000K	1700	82	210°	47.78	48.00	50K	045923119927	25
S11993	14T8/LED/48-835/BP/USA	14	120-277	T8	G13	FR	3500K	1700	82	210°	47.78	48.00	50K	045923119934	25
S11994	14T8/LED/48-840/BP/USA	14	120-277	T8	G13	FR	4000K	1800	82	210°	47.78	48.00	50K	045923119941	25
S11995	14T8/LED/48-850/BP/USA	14	120-277	T8	G13	FR	5000K	1800	82	210°	47.78	48.00	50K	045923119958	25
S11996	17T8/LED/48-830/BP/USA	17	120-277	T8	G13	FR	3000K	2100	82	210°	47.78	48.00	50K	045923119965	25
S11997	17T8/LED/48-835/BP/USA	17	120-277	T8	G13	FR	3500K	2100	82	210°	47.78	48.00	50K	045923119972	25
S11998	17T8/LED/48-840/BP/USA	17	120-277	T8	G13	FR	4000K	2200	82	210°	47.78	48.00	50K	045923119989	25
S11999	17T8/LED/48-850/BP/USA	17	120-277	T8	G13	FR	5000K	2200	82	210°	47.78	48.00	50K	045923119996	25

*Single ended wiring requires non-shunted sockets.

**Protection against improper installation. Lamps will not light if the ballast has not been bypassed.

Product sheet SA2796

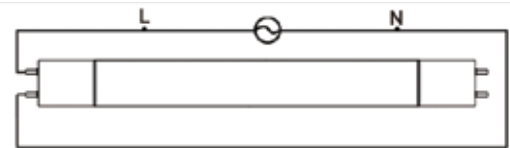
DIMMABLE 13.5W LINEAR LED T8 BALLAST BYPASS TYPE B LAMPS

Features:

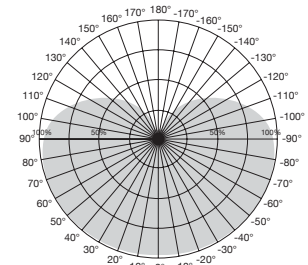
- No ballast or external driver required
- Direct wire 120V line voltage
- All glass tube
- Dimmable†
- Damp location
- Long life: 50,000 hours
- c-UL-us Classified
- DLC Listed
- NSF Certified
- 5 Year warranty



Single Ended Wiring*



(Non-shunted sockets)



Beam Angle: 220°



Item	Description	W	V	Bulb Shape	Base	Finish	CCT	Lm	CRI	Beam	MOL (in.)	Nominal (in.)	Life (hrs.)	UPC	Pack
S11920	13.5T8/LED/48-830/DIM-BP	13.5	120	T8	G13	FR	3000K	1700	82	220°	47.78	48.00	50K	045923119200	25
S11921	13.5T8/LED/48-835/DIM-BP	13.5	120	T8	G13	FR	3500K	1700	82	220°	47.78	48.00	50K	045923119217	25
S11922	13.5T8/LED/48-840/DIM-BP	13.5	120	T8	G13	FR	4000K	1800	82	220°	47.78	48.00	50K	045923119224	25
S11923	13.5T8/LED/48-850/DIM-BP	13.5	120	T8	G13	FR	5000K	1800	82	220°	47.78	48.00	50K	045923119231	25

†Visit satco.com for compatible dimmers.

PREMIUM LED T8 BALLAST BYPASS TYPE B, TRUE FLICKER-FREE LAMPS

Features:

No ballast or external driver required

Flicker free – Less than 2%

Installation protection – will not light if ballast is not bypassed

Lower wattage option

High lumen – up to 2600

Direct wire 120-277V line voltage*

All glass tube

PET Coated – shatterproof

Long life: 50,000 hours

c-UL-us Classified

ETL Sanitation listed (conforms to NSF)

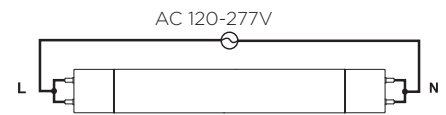
DLC Listed

5 Year warranty

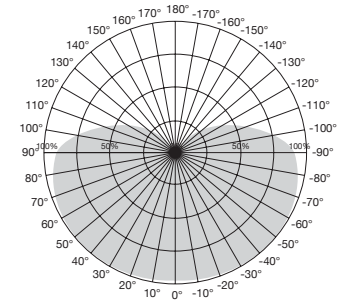
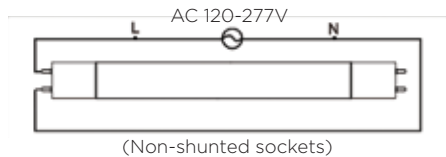


2 Installation Options

1. Double Ended Wiring



2. Single Ended Wiring



Beam Angle: 190°



Item	Description	W	V	Bulb Shape	Base	Finish	CCT	Lm	CRI	Beam	MOL (in.)	Nominal (in.)	Life (hrs.)	UPC	Pack
S11910	11.5T8/LED/48-830/BP 120-277V	11.5	120-277	T8	G13	FR	3000K	1650	80	180°	47.78	48.00	50K	045923119101	25
S11911	11.5T8/LED/48-835/BP 120-277V	11.5	120-277	T8	G13	FR	3500K	1650	80	180°	47.78	48.00	50K	045923119118	25
S11912	11.5T8/LED/48-840/BP 120-277V	11.5	120-277	T8	G13	FR	4000K	1750	80	180°	47.78	48.00	50K	045923119125	25
S11913	11.5T8/LED/48-850/BP 120-277V	11.5	120-277	T8	G13	FR	5000K	1800	80	180°	47.78	48.00	50K	045923119132	25
S11914	18.5T8/LED/48-830/BP 120-277V	18.5	120-277	T8	G13	FR	3000K	2400	80	180°	47.78	48.00	50K	045923119149	25
S11915	18.5T8/LED/48-835/BP 120-277V	18.5	120-277	T8	G13	FR	3500K	2400	80	180°	47.78	48.00	50K	045923119156	25
S11916	18.5T8/LED/48-840/BP 120-277V	18.5	120-277	T8	G13	FR	4000K	2500	80	180°	47.78	48.00	50K	045923119163	25
S11917	18.5T8/LED/48-850/BP 120-277V	18.5	120-277	T8	G13	FR	5000K	2600	80	180°	47.78	48.00	50K	045923119170	25

Product sheet SA2527

5' & 6' BALLAST BYPASS REPLACEMENTS FOR MED. BI-PIN LINEAR T8 LAMPS



Features:

- No ballast required
- Increased efficiency
- Single ended wiring/ non-shunted sockets
- 60" and 70" Lengths
- All glass tube
- Damp Location
- ETL Sanitation listed (conforms to NSF)
- Long Life—50,000 Hours

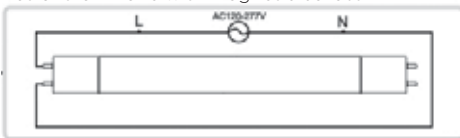
Applications:

- Designed for cold temperature applications



Wiring Diagram

Retrofit luminaire with magnetic ballast



Wiring harnesses available including non-shunted sockets, sold separately

Item	Description
80-2626	1 LT BALLAST BYPASS WIRING HARNESS
80-2627	2 LT BALLAST BYPASS WIRING HARNESS
80-2628	3 LT BALLAST BYPASS WIRING HARNESS
80-2629	4 LT BALLAST BYPASS WIRING HARNESS



Item	Description	W	V	Bulb Shape	Base	Finish	CCT	Lm	CRI	Beam	MOL (in.)	Nominal (in.)	Life (hrs.)	UPC	Pack
S11953	22T8/LED/60-840/BP	22	120-277	T8	G13	FR	4000K	2800	83	160°	60.00	60.00	50K	045923119538	10
S11954	22T8/LED/60-850/BP	22	120-277	T8	G13	FR	5000K	2800	83	160°	60.00	60.00	50K	045923119545	10
S11955	30T8/LED/70-840/BP	30	120-277	T8	G13	FR	4000K	4000	83	160°	70.00	70.00	50K	045923119552	10
S11956	30T8/LED/70-850/BP	30	120-277	T8	G13	FR	5000K	4000	83	160°	70.00	70.00	50K	045923119569	10

Product sheet SA2390

SLIMLINE 4', 6', 8' T8 BALLAST BYPASS TYPE B

Features:

Double ended wiring

Shatterproof coated

Over 40% energy savings vs standard 8' T8 systems

Slimline single pin base - replaces T8 & T12

No ballast or external driver required

Direct wire 120-277V line voltage

All glass tube

Damp location

NSF certified

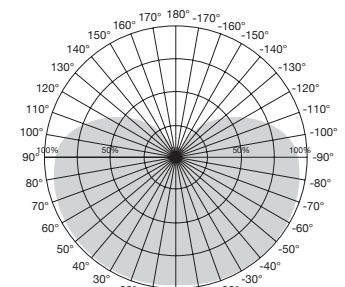
c-UL-us Classified

Long life—50,000 hours

5 Year warranty



Wiring Diagram



Beam Angle: 210°



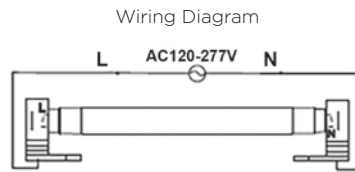
Item	Description	W	V	Bulb Shape	Base	Finish	CCT	Lm	CRI	Beam	MOL (in.)	Nominal (in.)	Life (hrs.)	UPC	Pack
S11926	14T8/LED/48-840/BP/FA8	14	120-277	T8	FA8	WH	4000K	1900	82	210°	46.00	48.00	50K	045923119262	25
S11927	24T8/LED/72-840/BP/FA8	24	120-277	T8	FA8	WH	4000K	3200	82	210°	70.00	72.00	50K	045923119279	10
S11957◆	24T8/LED/96-835/BP/FA8	24	120-277	T8	FA8	WH	3500K	3200	82	210°	94.00	96.00	50K	045923119576	10
S11958◆	24T8/LED/96-840/BP/FA8	24	120-277	T8	FA8	WH	4000K	3500	82	210°	94.00	96.00	50K	045923119583	10
S11959◆	24T8/LED/96-850/BP/FA8	24	120-277	T8	FA8	WH	5000K	3500	82	210°	94.00	96.00	50K	045923119590	10
S29917◆	40T8/LED/96-835/BP/FA8	40	120-277	T8	FA8	WH	3500K	5300	82	210°	94.00	96.00	50K	045923299179	10
S29918◆	40T8/LED/96-840/BP/FA8	40	120-277	T8	FA8	WH	4000K	5500	82	210°	94.00	96.00	50K	045923299186	10
S29919◆	40T8/LED/96-850/BP/FA8	40	120-277	T8	FA8	WH	5000K	5500	82	210°	94.00	96.00	50K	045923299193	10
S21925	40T8/LED/96-865/BP/FA8	40	120-277	T8	FA8	WH	6500K	5500	82	210°	94.00	96.00	50K	045923219252	10

Product sheet SA2683

R17D LINEAR LED BALLAST BYPASS 4', 6' & 8' TYPE B T8

Features:

- Double ended wiring
- Shatterproof coated
- Over 40% energy savings vs standard 8' T8 systems
- R17d base designed to replace T8 HO and T12 HO
- Fluorescent lamps
- No ballast or external driver required
- Direct wire 120-277V line voltage
- All glass tube
- Damp location
- NSF certified
- c-UL-us Classified
- Long life—50,000 hours
- 5 Year warranty



Item	Description	W	V	Bulb Shape	Base	Finish	CCT	Lm	CRI	Beam	MOL (in.)	Nominal (in.)	Life (hrs.)	UPC	Pack
S11964	18T8/LED/48-840/BP/R17D/HO	18	120-277	T8	R17d	WH	4000K	2500	82	160°	46.00	48.00	50K	045923119644	10
S11965	18T8/LED/48-865/BP/R17D/HO	18	120-277	T8	R17d	WH	6500K	2500	82	160°	46.00	48.00	50K	045923119651	10
S11966	30T8/LED/72-840/BP/R17D/HO	30	120-277	T8	R17d	WH	4000K	4200	82	160°	70.00	72.00	50K	045923119668	10
S11967	30T8/LED/72-865/BP/R17D/HO	30	120-277	T8	R17d	WH	6500K	4200	82	160°	70.00	72.00	50K	045923119675	10
S29924	40T8/LED/96-840/BP/R17D	40	120-277	T8	R17d	WH	4000K	5500	82	210°	94.00	96.00	50K	045923299247	10
S29925	40T8/LED/96-850/BP/R17D	40	120-277	T8	R17d	WH	5000K	5500	82	210°	94.00	96.00	50K	045923299254	10
S29942	40T8/LED/96-865/BP/R17D	40	120-277	T8	R17d	WH	6500K	5500	82	210°	94.00	96.00	50K	045923299421	10

Product sheet SA2611

25W, 4' LINEAR LED TYPE A T5 LAMPS

Features:

- Direct replacement for linear fluorescent F54T5HO lamps in existing fixtures with electronic ballasts. No rewiring required
- Over 50% energy savings vs. standard 4' T5 systems
- All glass tube
- Compatible with rapid start ballast*
- Integrated thermal fuse at pins
- Damp location
- NSF certified
- c-UL-us listed
- DLC listed*
- Long life—50,000 hours
- 5 Year warranty



Item	Description	W	V	Bulb Shape	Base	Finish	CCT	Lm	CRI	Beam	MOL (in.)	Nominal (in.)	Life (hrs.)	UPC	Pack
S29912◆	25T5/LED/46-835/DR	25	-	T5	G5	GLOSS	3500K	3300	82	185°	46.00	48.00	50K	045923299124	10
S29910◆	25T5/LED/46-840/DR	25	-	T5	G5	GLOSS	4000K	3500	82	185°	46.00	48.00	50K	045923299100	10
S29911◆	25T5/LED/46-850/DR	25	-	T5	G5	GLOSS	5000K	3500	82	185°	46.00	48.00	50K	045923299117	10

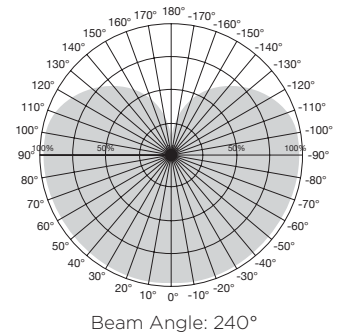
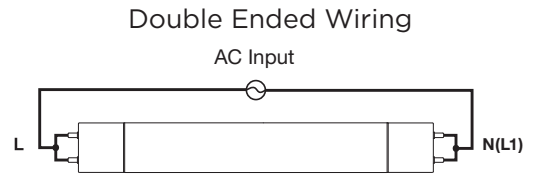
*May not be compatible with all rapid start ballasts. Visit www.satco.com for an approved list.

Product sheet SA2306

LED T5 MINI BI-PIN (G5) BALLAST BYPASS TYPE B

Features:

- Ballast bypass replacement for mini bi-pin linear fluorescent T5 preheat lamps in existing fixtures.
- No ballast or external driver required
- Available in 6", 9", 12", & 21"
- Direct wire 120-277V line voltage
- PET Shatterproof coated
- Damp location
- c-UL-us classified
- Long life—50,000 hours
- 5 Year warranty



Item	Description	W	V	Bulb Shape	Base	Finish	CCT	Lm	CRI	Beam	MOL (in.)	Nominal (in.)	Life (hrs.)	UPC	Pack
S11900	2W/LED/T5/840/BP	2	120-277	T5	G5	FR	4000K	150	82	240°	5.91	6.00	50K	045923119002	200/10
S11901	2W/LED/T5/865/BP	2	120-277	T5	G5	FR	6500K	150	82	240°	5.91	6.00	50K	045923119019	200/10
S11902	3W/LED/T5/840/BP	3	120-277	T5	G5	FR	4000K	270	82	240°	8.91	9.00	50K	045923119026	200/10
S11903	3W/LED/T5/865/BP	3	120-277	T5	G5	FR	6500K	270	82	240°	8.91	9.00	50K	045923119033	200/10
S11904	4W/LED/T5/830/BP	4	120-277	T5	G5	FR	3000K	400	82	240°	11.91	12.00	50K	045923119040	100/10
S11905	4W/LED/T5/840/BP	4	120-277	T5	G5	FR	4000K	400	82	240°	11.91	12.00	50K	045923119057	100/10
S11906	4W/LED/T5/865/BP	4	120-277	T5	G5	FR	6500K	400	82	240°	11.91	12.00	50K	045923119064	100/10
S11907	7W/LED/T5/830/BP	7	120-277	T5	G5	FR	3000K	700	82	240°	20.91	21.00	50K	045923119071	100/10
S11908	7W/LED/T5/840/BP	7	120-277	T5	G5	FR	4000K	700	82	240°	20.91	21.00	50K	045923119088	100/10
S11909	7W/LED/T5/865/BP	7	120-277	T5	G5	FR	6500K	700	82	240°	20.91	21.00	50K	045923119095	100/10

Product sheet SA2463

7W LINEAR LED T8 BALLAST BYPASS LAMPS



Features:

F15T8 Replacement
7W, 18" LED

Works with existing sockets –
shunted or non-shunted

No ballast or external driver
required

Built-in shock resistant circuit

Direct wire 120-277V

All glass tube with PET
Shatterproof Coating

ETL Conforms to NSF
Standards

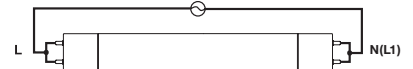
Long life—50,000 hours

5 Year warranty

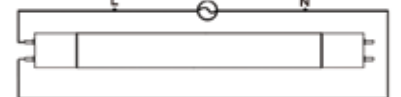


Single or double ended wiring

Double Ended Wiring
(120-277V)



Single Ended Wiring
(120-277V)



Item	Description	W	V	Bulb Shape	Base	Finish	CCT	Lm	CRI	Beam	MOL (in.)	Nominal (in.)	Life (hrs.)	UPC	Pack
S11950	7T8/LED/18-830/BP	7	120-277	T8	G13	FR	3000K	700	83	160°	17.8	18.00	50K	045923119507	25
S11951	7T8/LED/18-840/BP	7	120-277	T8	G13	FR	4000K	750	83	160°	17.8	18.00	50K	045923119514	25
S11952	7T8/LED/18-865/BP	7	120-277	T8	G13	FR	6500K	770	83	160°	17.8	18.00	50K	045923119521	25

Product sheet SA2739

LED T8 DUAL MODE (BALLAST BYPASS/ BALLAST COMPATIBLE) TYPE A & B 6" U-BEND LAMPS



Features:

- Direct replacements for fluorescent u-bend lamps in existing fixtures with or without ballasts
- Up to 60% energy savings vs. Standard T8 systems
- Ballast compatible* and ballast bypass in one lamp
- Bypass mode works in single or double ended wiring**
- Protection from arcing***
- Shatterproof plastic
- 5 Year warranty



WIRING OPTIONS-BALLAST BYPASS^{††} TYPE B - 120-277V

Wiring-Ballast Compatible Type A

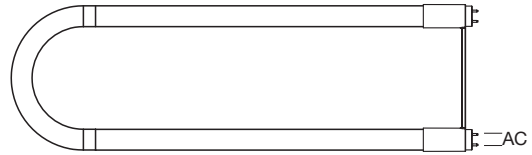
Compatible with emergency and dimming ballasts*

For instant start ballasts on the approved list, ensure that LED fluorescent sockets are wired in a shunt configuration according to manufacturer's wiring diagram.

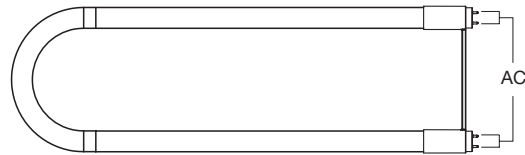
For rapid start ballasts on the approved list, non-shunted LED/fluorescent sockets are needed and must be wired according to manufacturer's wiring diagram.

Wiring-Ballast Bypass Type B - 120-277V

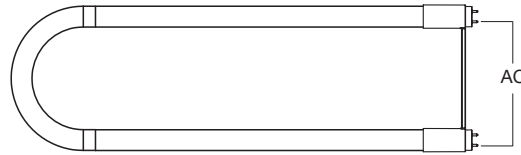
Single Ended –
Non-Shunted Sockets



Double Ended –
Non-Shunted Sockets



Double Ended –
Shunted Sockets



Item	Description	W	Bulb Shape	Base	Finish	CCT	Lm	CRI	Beam	MOL (in.)	Nominal (in.)	Life (hrs.)	UPC	Pack
S11970	13T8U6/LED/22.5-830/DUAL	13	T8	G13	FR	3000K	1900	83	160°	22.50	22.50	50K	045923119705	12
S11971	13T8U6/LED/22.5-835/DUAL	13	T8	G13	FR	3500K	1950	83	160°	22.50	22.50	50K	045923119712	12
S11972	13T8U6/LED/22.5-840/DUAL	13	T8	G13	FR	4000K	2000	83	160°	22.50	22.50	50K	045923119729	12
S11973	13T8U6/LED/22.5-850/DUAL	13	T8	G13	FR	5000K	2000	83	160°	22.50	22.50	50K	045923119736	12

*May not be compatible with all instant start, rapid start, dimmable and emergency ballasts. Visit www.satco.com for an approved list.



Item	Description	W	V	Bulb Shape	Base	Finish	CCT	Lm	CRI	Beam	MOL (in.)	Nominal (in.)	Life (hrs.)	UPC	Pack
S11970	13T8U6/LED/22.5-830/DUAL	13	120-277	T8	G13	FR	3000K	1900	83	160°	22.50	22.50	50K	045923119705	12
S11971	13T8U6/LED/22.5-835/DUAL	13	120-277	T8	G13	FR	3500K	1950	83	160°	22.50	22.50	50K	045923119712	12
S11972	13T8U6/LED/22.5-840/DUAL	13	120-277	T8	G13	FR	4000K	2000	83	160°	22.50	22.50	50K	045923119729	12
S11973	13T8U6/LED/22.5-850/DUAL	13	120-277	T8	G13	FR	5000K	2000	83	160°	22.50	22.50	50K	045923119736	12

** Bypass mode works wired as a single ended lamp on non-shunted sockets or as a double ended lamp on either shunted or non-shunted sockets.

System Performance - Type A mode based on ballast factor

System Performance Chart				Bare Lamp (Rated)			Bare Lamp Wattage			System Wattage			Initial Lumens			Lifetime		
Item	Description	CCT	Length (ft)	Nominal Wattage	Nominal Lumens	LBF (0.78)	NBF (0.88)	HBF (1.18)	LBF (0.78)	NBF (0.88)	HBF (1.18)	LBF (0.78)	NBF (0.88)	HBF (1.18)	LBF (0.78) Khrs.	NBF (0.88) Khrs.	HBF (1.18) [†] Khrs.	
S11970	13T8U6/LED/22.5-830/DUAL	3000K	2	13	1900	11.0	13.0	18	14.0	16.0	21.0	1600	1800	2350	>50	>50	<50	
S11971	13T8U6/LED/22.5-835/DUAL	3500K	2	13	1950	11.0	13.0	18	14.0	16.0	21.0	1600	1800	2350	>50	>50	<50	
S11972	13T8U6/LED/22.5-840/DUAL	4000K	2	13	2000	11.0	13.0	18	14.0	16.0	21.0	1700	1900	2500	>50	>50	<50	
S11973	13T8U6/LED/22.5-850/DUAL	5000K	2	13	2000	11.0	13.0	18	14.0	16.0	21.0	1750	2000	2600	>50	>50	<50	

*** Power must be turned off prior to installing lamps. Sockets must be in good working order, not broken, cracked or electrically compromised.

† If arcing occurs at the lamp pin, thermal fuse may activate to avoid overheating of lamp.

‡ LED tube life will change with ballast factor, configurations producing ballast factors above 1.18 are not allowed.

§ Visit www.satco.com for warranty conditions.

Product sheet SA2510

LED T8 DUAL MODE (BALLAST BYPASS TYPE B/ BALLAST COMPATIBLE TYPE A) 1-5/8" U-BEND LAMPS

Features:

- Direct replacements for fluorescent T8 u-bend lamps in existing fixtures with or without ballasts.
- Over 50% energy savings vs. standard T8 systems
- Ballast compatible and ballast bypass in one lamp
- Bypass mode works in single or double ended wiring†
- Protection from arcing
- 120-277V in bypass mode
- Damp location
- NSF certified
- DLC 5.1 listed
- C-UL-us listed—ballast compatible
- c-UL-us Classified—ballast bypass
- Long life—50,000 hours
- 5 Year warranty



Ballast Compatible



Item	Description	W	Bulb Shape	Base	Finish	CCT	Lm	CRI	Beam	MOL (in.)	Nominal (in.)	Life (hrs.)	UPC	Pack
S18450	13T8/U1-G13/LED/830/DUAL	13	T8	G13	FR	3000K	1800	80	160°	22.59	22.50	50K	045923184505	24
S18451	13T8/U1-G13/LED/835/DUAL	13	T8	G13	FR	3500K	1800	80	160°	22.59	22.50	50K	045923184512	24
S18452	13T8/U1-G13/LED/840/DUAL	13	T8	G13	FR	4000K	1900	80	160°	22.59	22.50	50K	045923184529	24
S18453	13T8/U1-G13/LED/850/DUAL	13	T8	G13	FR	5000K	2000	80	160°	22.59	22.50	50K	045923184536	24

† May not be compatible with all instant start, rapid start, dimmable, and emergency ballasts. Visit www.satco.com for an approved list.

Product sheet SA2462

Ballast Bypass



Item	Description	W	V	Bulb Shape	Base	Finish	CCT	Lm	CRI	Beam	MOL (in.)	Nominal (in.)	Life (hrs.)	UPC	Pack
S18450	13T8/U1-G13/LED/830/DUAL	13	120-277	T8	G13	FR	3000K	1800	80	160°	22.59	22.50	50K	045923184505	24
S18451	13T8/U1-G13/LED/835/DUAL	13	120-277	T8	G13	FR	3500K	1800	80	160°	22.59	22.50	50K	045923184512	24
S18452	13T8/U1-G13/LED/840/DUAL	13	120-277	T8	G13	FR	4000K	1900	80	160°	22.59	22.50	50K	045923184529	24
S18453	13T8/U1-G13/LED/850/DUAL	13	120-277	T8	G13	FR	5000K	2000	80	160°	22.59	22.50	50K	045923184536	24

Product sheet SA2462

PREMIUM LED T8 DUAL MODE (BALLAST BYPASS TYPE B/ BALLAST COMPATIBLE TYPE A) LINEAR LAMPS

Features:

- Direct replacements for fluorescent T8 lamps in existing fixtures with or without ballasts.
- Over 40% energy savings vs. standard T8 systems
- Ballast compatible (12W) and ballast bypass (13W) in one lamp
- Bypass mode works in single or double ended wiring**
- Protection from arcing***
- All glass tube
- Compatible with emergency and dimming ballast†
- 120-277V in bypass mode
- Damp location
- PET coated
- NSF certified
- DLC 5.1 listed
- C-UL-us listed—ballast compatible
- c-UL-us Classified—ballast bypass
- Long life—50,000 hours
- 5 Year warranty



Ballast Compatible†

Item	Description	W	Bulb Shape	Base	Finish	CCT	Lm	CRI	Beam	MOL (in.)	Nominal (in.)	Life (hrs.)	UPC	Pack
S8890	12T8/LED/48-830/DUAL/BP-DR	12	T8	G13	FR	3000K	1800	83	240°	47.78	48.00	50K	045923088902	25
S8891	12T8/LED/48-835/DUAL/BP-DR	12	T8	G13	FR	3500K	1800	83	240°	47.78	48.00	50K	045923088919	25
S8892	12T8/LED/48-840/DUAL/BP-DR	12	T8	G13	FR	4000K	1900	83	240°	47.78	48.00	50K	045923088926	25
S8893	12T8/LED/48-850/DUAL/BP-DR	12	T8	G13	FR	5000K	1900	83	240°	47.78	48.00	50K	045923088933	25

†May not be compatible with all instant start, rapid start, dimmable, and emergency ballasts. Visit www.satco.com for an approved list.

Product sheet SA2316



Ballast Bypass††

Item	Description	W	V	Bulb Shape	Base	Finish	CCT	Lm	CRI	Beam	MOL (in.)	Nominal (in.)	Life (hrs.)	UPC	Pack
S8890	13T8/LED/48-830/DUAL/BP-DR	13	120-277	T8	G13	FR	3000K	1800	83	240°	47.78	48.00	50K	045923088902	25
S8891	13T8/LED/48-835/DUAL/BP-DR	13	120-277	T8	G13	FR	3500K	1800	83	240°	47.78	48.00	50K	045923088919	25
S8892	13T8/LED/48-840/DUAL/BP-DR	13	120-277	T8	G13	FR	4000K	1900	83	240°	47.78	48.00	50K	045923088926	25
S8893	13T8/LED/48-850/DUAL/BP-DR	13	120-277	T8	G13	FR	5000K	1900	83	240°	47.78	48.00	50K	045923088933	25

††Bypass mode works wired as a single ended lamp on non-shunted sockets or as a double ended lamp on either shunted or non-shunted sockets.

Product sheet SA2316

LED DUAL MODE TYPE A + B T8 LINEAR LAMPS

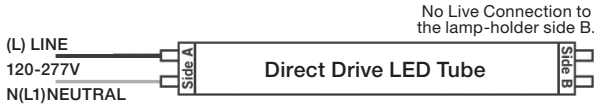
Features:

- Ballast compatible and ballast bypass in one lamp
- Single or double-ended wiring in bypass mode
- Protection from arcing
- All glass tube
- Damp location
- Compatible with Satco S8000 & S8002 EM drivers in bypass mode



SINGLE-ENDED WIRING Using non-shunted lampholders only

Single Lamp



DOUBLE-ENDED WIRING Using shunted lampholders only

Shunted Lampholders - Single Lamp / 120-277V



TYPE A Ballast Compatible - Type A



Item	Description	W	Bulb Type	Base	Finish	CCT	Lm	CRI	Beam	MOL (in.)	Life (hrs.)	UPC	Pack
S11974	12T8/48-830/DM/A-B	12	T8	G13	FR	3000K	1700	80	210°	48	50K	045923119743	25
S11975	12T8/48-835/DM/A-B	12	T8	G13	FR	3500K	1700	80	210°	48	50K	045923119750	25
S11976	12T8/48-840/DM/A-B	12	T8	G13	FR	4000K	1800	80	210°	48	50K	045923119767	25
S11977	12T8/48-850/DM/A-B	12	T8	G13	FR	5000K	1800	80	210°	48	50K	045923119774	25

TYPE B Ballast Bypass - Type B

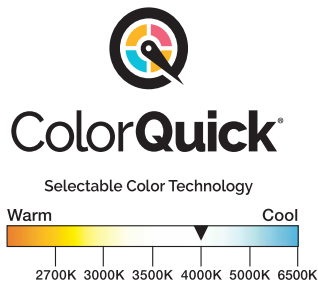


Item	Description	W	V	Bulb Type	Base	Finish	CCT	Lm	CRI	Beam	MOL (in.)	Life (hrs.)	UPC	Pack
S11974	12T8/48-830/DM/A-B	12	120-277	T8	G13	FR	3000K	1700	80	210°	48	50K	045923119743	25
S11975	12T8/48-835/DM/A-B	12	120-277	T8	G13	FR	3500K	1700	80	210°	48	50K	045923119750	25
S11976	12T8/48-840/DM/A-B	12	120-277	T8	G13	FR	4000K	1800	80	210°	48	50K	045923119767	25
S11977	12T8/48-850/DM/A-B	12	120-277	T8	G13	FR	5000K	1800	80	210°	48	50K	045923119774	25

CCT SELECTABLE T8 TYPE A & TYPE B LAMPS

Features:

- CCT selectable 4000K, 5000K, 6500K
- 32W T8 Replacements
- Single sleeve or retail-ready 2-pack
- All glass tube
- Damp location
- 50,000 Hours
- 5 Year warranty



Retail
2-packs
available

Easy color
temperature
selection



Item	Description	W	V	Base	Finish	CCT	Lm	CRI	Beam	MOL (in.)	Life (hrs.)	UPC	Pack
Direct Replacement - Ballast Compatible													
S11918*	10T8/LED/48/CCT-SEL/DR	10	---	G13	WH	4000K/5000K/6500K	1800	83	220°	48	50K	45923119187	10-2 pks
S11928*	10T8/LED/48/CCT-SEL/DR	10	---	G13	WH	4000K/5000K/6500K	1800	83	220°	48	50K	045923119286	25 pk
Direct Wire - Ballast Bypass													
S11919**	12.5T8/LED/48/CCT-SEL/BP	12.5	120-277	G13	WH	4000K/5000K/6500K	1800	83	220°	48	50K	45923119194	10-2 pks
S11929**	12.5T8/LED/48/CCT-SEL/BP	12.5	120-277	G13	WH	4000K/5000K/6500K	1800	83	220°	48	50K	045923119293	25 pk

LINEAR LED T8 & T5HO TYPE C SYSTEM

Features:

Dedicated LED linear lamps and driver system with integral 0-10V dimming. For retrofit and installation in new fixtures

Driver footprint matches ballast footprint

High efficiency

Compatible with instant start wiring

Low flicker design

120-277V, 0-10V Dimming

3000, 3500, 4000, 5000K

82 CRI

All glass lamps, damp rated

DLC listed

Built-in surge protection

50,000 hour life

5 Year warranty

Applications:

Replacement of existing Linear Fluorescent lamps and ballast commonly found in commercial and industrial sites, and new installations

Satco Type C systems include:

Dedicated LED lamp and driver system

DLC rated for use in utility programs

Linear LED
T8 Type C

Linear LED
T5 Type C



S8012
1-2 Lamp driver



S8013
3-4 Lamp driver



S8014
1-2 Lamp driver



S8015
3-4 Lamp driver

Note: Fluorescent lamps are not compatible with Type C drivers

LINEAR LED T8 & T5 TYPE C SYSTEM

Linear LED T8 Type C lamps



Item	Description	W	Bulb Shape	Base	Finish	CCT	Lm	CRI	Beam	MOL (in.)	Nominal (in.)	Life (hrs.)	UPC	Pack
2FT														
S11930	8T8/LED/24-830/XD	8	T8	G13	FR	3000K	1200	82	220°	24.00	24.00	50K	045923119309	25
S11931	8T8/LED/24-835/XD	8	T8	G13	FR	3500K	1200	82	220°	24.00	24.00	50K	045923119316	25
S11932	8T8/LED/24-840/XD	8	T8	G13	FR	4000K	1200	82	220°	24.00	24.00	50K	045923119323	25
S11933	8T8/LED/24-850/XD	8	T8	G13	FR	5000K	1200	82	220°	24.00	24.00	50K	045923119330	25
3FT														
S11934	11T8/LED/36-830/XD	11	T8	G13	FR	3000K	1600	82	220°	36.00	36.00	50K	045923119347	25
S11935	11T8/LED/36-835/XD	11	T8	G13	FR	3500K	1600	82	220°	36.00	36.00	50K	045923119354	25
S11936	11T8/LED/36-840/XD	11	T8	G13	FR	4000K	1600	82	220°	36.00	36.00	50K	045923119361	25
S11937	11T8/LED/36-850/XD	11	T8	G13	FR	5000K	1600	82	220°	36.00	36.00	50K	045923119378	25
4FT														
S11938	12T8/LED/48-830/XD	12	T8	G13	FR	3000K	1800	82	220°	48.00	48.00	50K	045923119385	25
S11939	12T8/LED/48-835/XD	12	T8	G13	FR	3500K	1800	82	220°	48.00	48.00	50K	045923119392	25
S11940	12T8/LED/48-840/XD	12	T8	G13	FR	4000K	1800	82	220°	48.00	48.00	50K	045923119408	25
S11941	12T8/LED/48-850/XD	12	T8	G13	FR	5000K	1800	82	220°	48.00	48.00	50K	045923119415	25

LED T8 Type C drivers

Item	Description	Lamps driven	V in	V out	Current in 120V	Current in 277V	Current out 120V, 277V	Freq. input HZ	Power factor 120V	Power factor 277V	Operating temp.	Storage temp.	UPC
S8012	LED driver/ 2', 3', 4'/Type C/T8	1, 2	120-277	24-48	300	130	290	50/60	0.95	0.93	-20° to 55°C	-40° to 85°C	045923090127
S8013	LED driver/ 2', 3', 4'/Type C/T8	3, 4	120-277	24-48	590	230	290	50/60	0.95	0.93	-20° to 55°C	-40° to 85°C	045923090134

Linear LED T5 Type C lamps



Item	Description	W	Bulb Shape	Base	Finish	CCT	Lm	CRI	Beam	MOL (in.)	Nominal (in.)	Life (hrs.)	UPC	Pack
4FT T5														
S11942	23T5/LED/48-835/XD	23	T5	G5	FR	3500K	3400	82	220°	48.00	48.00	50K	045923119422	25
S11943	23T5/LED/48-840/XD	23	T5	G5	FR	4000K	3400	82	220°	48.00	48.00	50K	045923119439	25
S11944	23T5/LED/48-850/XD	23	T5	G5	FR	5000K	3400	82	220°	48.00	48.00	50K	045923119446	25

LED T5 Type C drivers

Item	Description	Lamps driven	V in	V out	Current in 120V	Current in 277V	Current out 120V, 277V	Freq. input HZ	Power factor 120V	Power factor 277V	Operating temp.	Storage temp.	UPC
S8014	LED driver/4'/ Type C/T5	1, 2	120-277	30-48	540	240	530	50/60	0.95	0.93	-20° to 55°C	-40° to 85°C	045923080142
S8015	LED driver/4'/ Type C/T5	3, 4	120-277	30-45	1020	450	530	50/60	0.98	0.96	-20° to 55°C	-40° to 85°C	045923080159

Product sheet SA2613

8" AND 12" T9 LED BALLAST BYPASS TYPE B CIRCLINE LAMPS

Features:

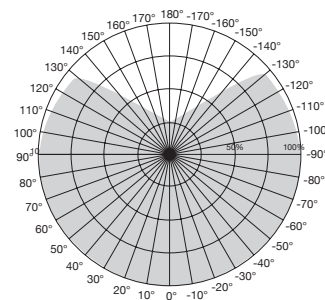
- No ballast or external driver required
- Over 40% energy savings vs. standard T9 systems
- Replaces 22W and 32W fluorescent Circlines 120-277V (direct wire)
- Damp location
- NSF certified
- c-ETL-us listed
- Long life—50,000 hours
- 5 Year warranty



8"-11 Watt



12"-16 Watt



Beam Angle: 135°



Item	Description	W	V	Bulb Shape	Base	Finish	CCT	Lm	CRI	Beam	MOL (in.)	Nominal (in.)	Life (hrs.)	UPC	Pack
S16500	FC8T9/LED/CIR/830/BP	11	120-277	T9	G10q	FR	3000K	1100	80	135°	8.00	-	50K	045923165009	12
S16501	FC8T9/LED/CIR/840/BP	11	120-277	T9	G10q	FR	4000K	1210	80	135°	8.00	-	50K	045923165016	12
S16502	FC8T9/LED/CIR/865/BP	11	120-277	T9	G10q	FR	6500K	1210	80	135°	8.00	-	50K	045923165023	12
S16503	FC12T9/LED/CIR/830/BP	16	120-277	T9	G10q	FR	3000K	1600	80	135°	12.00	-	50K	045923165030	12
S16504	FC12T9/LED/CIR/840/BP	16	120-277	T9	G10q	FR	4000K	1760	80	135°	12.00	-	50K	045923165047	12
S16505	FC12T9/LED/CIR/865/BP	16	120-277	T9	G10q	FR	6500K	1760	80	135°	12.00	-	50K	045923165054	12

LED EMERGENCY BACK-UP FOR LED T8 AND T5 BALLAST BYPASS LAMPS

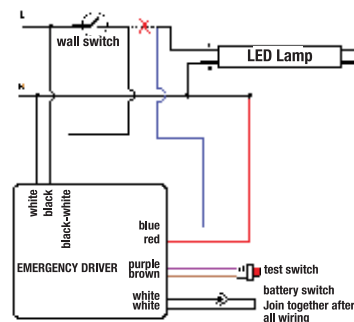
Features:

- 5 Watt or 10 Watt output power options
 - Driver type: Constant wattage LED emergency
 - Approximate lumens output 500lms-1000lms
 - LED test switch and indicator light included
 - Operating frequency: 50/60 Hz
 - Max. current: 100mA@120v / 215mA@120v
 - 1.8 Watt standby power
 - 90 minute battery run time
 - Output and over-power protection
 - Recharge 24 hours max
 - Lithium Ion battery
 - 120-277V input
 - Damp location
 - 32°F-122°F (0°C-50°C) Operating temperature
 - 5 Year warranty
- Compatibility:
- Satco 4' T8 (S9720-S9723)
 - Satco U-Bend (S9930-S9933)
 - Satco 4' T5 LED bypass lamps (S29717-S29719)
 - Satco 2G11 PL-L (S9950-9951)
 - Satco 2' T8 (S29900-S29905)
 - Satco 4' T8 (S11924, S29913-S29916)
 - Satco 3' T8 (S29926-S29929)
 - Satco 4' T8 (S29904-S29907)

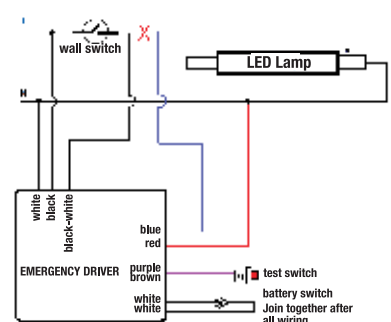


Wiring Instructions

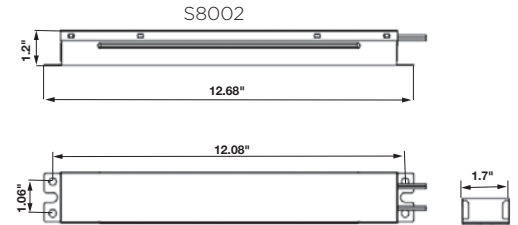
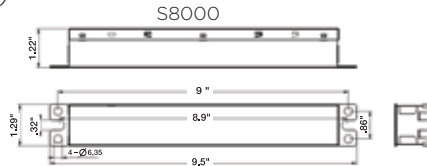
Single Ended Wiring



Double Ended Wiring



Dimensions



Item	Description	Watts	Voltage	M.O.L. (Inches)	Max. Current	Dimensions	Power Factor	UPC	Case
S8000	5W Emergency LED driver	5	120-277	9.5"	100mA@120V	1.3"W x 1.22"H x 9.5"L	70.35	045923080005	25
S8002	10W Emergency LED driver	10	120-277	12.68"	215mA@120V	1.7"W x 1.20"H x 12.68"L	70.35	045923080029	12

Meets UL924, CEC Title 20, FCC15 Part 15 Class A, Compliance.

Product sheet SA2363

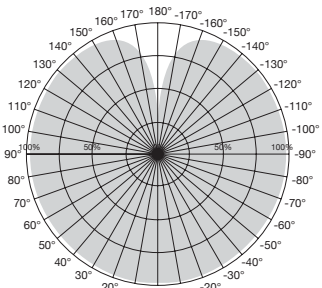
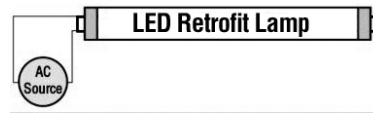
LED T8 TYPE B SIGN LAMPS EXTENDED LINE WITH NEW LENGTH OPTIONS

Features:

- Over 40% savings vs. standard T8 systems
- 14 Length options from 18" to 10'
- Base rotates 90° for easy installation
- Full illumination for 2-way signs
- Wide, 360° beam spread
- CRI >83
- No ballast and no external driver required
- Direct wire 120-277V line voltage
- Damp location
- NSF Certified
- c-UL-us Classified
- Long life—50,000 hours
- 5 Year warranty



Wiring Diagram - AC 120-277V
Single Ended Wiring Required



Beam Angle: 360°



Item	Description	W	V	Bulb Shape	Base	Finish	CCT	Lm	CRI	Beam	MOL (in.)	Nominal (in.)	Life (hrs.)	UPC	Pack
S16412	7T8/LED/HO-SIGN/18-840/BP	7	120-277	T8	R17d	FR	4000K	950	83	360°	15.88	18.00	50K	045923164125	10
S16413	7T8/LED/HO-SIGN/18-865/BP	7	120-277	T8	R17d	FR	6500K	950	83	360°	15.88	18.00	50K	045923164132	10
S16400	9T8/LED/HO-SIGN/24-840/BP	9	120-277	T8	R17d	FR	4000K	1200	83	360°	21.88	24.00	50K	045923164002	10
S16401	9T8/LED/HO-SIGN/24-865/BP	9	120-277	T8	R17d	FR	6500K	1200	83	360°	21.88	24.00	50K	045923164019	10
S16414	11T8/LED/HO-SIGN/30-840/BP	11	120-277	T8	R17d	FR	4000K	1500	83	360°	27.88	30.00	50K	045923164149	10
S16415	11T8/LED/HO-SIGN/30-865/BP	11	120-277	T8	R17d	FR	6500K	1500	83	360°	27.88	30.00	50K	045923164156	10
S16402	12T8/LED/HO-SIGN/36-840/BP	12	120-277	T8	R17d	FR	4000K	1500	83	360°	33.88	36.00	50K	045923164026	10
S16403	12T8/LED/HO-SIGN/36-865/BP	12	120-277	T8	R17d	FR	6500K	1500	83	360°	33.88	36.00	50K	045923164033	10
S16416	15T8/LED/HO-SIGN/42-840/BP	15	120-277	T8	R17d	FR	4000K	2100	83	360°	40.00	42.00	50K	045923164163	10
S16417	15T8/LED/HO-SIGN/42-865/BP	15	120-277	T8	R17d	FR	6500K	2100	83	360°	40.00	42.00	50K	045923164170	10
S16404	18T8/LED/HO-SIGN/48-840/BP	18	120-277	T8	R17d	FR	4000K	2300	83	360°	46.00	48.00	50K	045923164040	10
S16405	18T8/LED/HO-SIGN/48-865/BP	18	120-277	T8	R17d	FR	6500K	2300	83	360°	46.00	48.00	50K	045923164057	10
S16406	24T8/LED/HO-SIGN/60-840/BP	24	120-277	T8	R17d	FR	4000K	3100	83	360°	57.88	60.00	50K	045923164064	10
S16407	24T8/LED/HO-SIGN/60-865/BP	24	120-277	T8	R17d	FR	6500K	3100	83	360°	57.88	60.00	50K	045923164071	10
S16418	26T8/LED/HO-SIGN/64-840/BP	26	120-277	T8	R17d	FR	4000K	3650	83	360°	61.88	64.00	50K	045923164187	10
S16419	26T8/LED/HO-SIGN/64-865/BP	26	120-277	T8	R17d	FR	6500K	3650	83	360°	61.88	64.00	50K	045923164194	10
S16408	30T8/LED/HO-SIGN/72-840/BP	30	120-277	T8	R17d	FR	4000K	4100	83	360°	69.88	72.00	50K	045923164088	10
S16409	30T8/LED/HO-SIGN/72-865/BP	30	120-277	T8	R17d	FR	6500K	4100	83	360°	69.88	72.00	50K	045923164095	10
S16420	32T8/LED/HO-SIGN/84-840/BP	32	120-277	T8	R17d	FR	4000K	4500	83	360°	81.88	84.00	50K	045923164200	10
S16421	32T8/LED/HO-SIGN/84-865/BP	32	120-277	T8	R17d	FR	6500K	4500	83	360°	81.88	84.00	50K	045923164217	10
S16410	36T8/LED/HO-SIGN/96-840/BP	36	120-277	T8	R17d	FR	4000K	5000	83	360°	93.88	96.00	50K	045923164101	10
S16411	36T8/LED/HO-SIGN/96-865/BP	36	120-277	T8	R17d	FR	6500K	5000	83	360°	93.88	96.00	50K	045923164118	10
S16422	42T8/LED/HO-SIGN/108-840/BP	42	120-277	T8	R17d	FR	4000K	5800	83	360°	105.00	108.00	50K	045923164224	10
S16423	42T8/LED/HO-SIGN/108-865/BP	42	120-277	T8	R17d	FR	6500K	5800	83	360°	105.00	108.00	50K	045923164231	10
S16424	45T8/LED/HO-SIGN/117-840/BP	45	120-277	T8	R17d	FR	4000K	6300	83	360°	114.00	117.00	50K	045923164248	10
S16425	45T8/LED/HO-SIGN/117-865/BP	45	120-277	T8	R17d	FR	6500K	6300	83	360°	114.00	117.00	50K	045923164255	10
S16426	48T8/LED/HO-SIGN/120-840/BP	48	120-277	T8	R17d	FR	4000K	6700	83	360°	117.00	120.00	50K	045923164262	10
S16427	48T8/LED/HO-SIGN/120-865/BP	48	120-277	T8	R17d	FR	6500K	6700	83	360°	117.00	120.00	50K	045923164279	10

4' and up - shipped in full cases only

Product sheet SA2494

CIRCULAR LED MODULE/FIXTURE RETROFIT KITS

Features:

- Upgrades most flush mount fixtures to efficient LED light
- Replaces 3 60W incandescent lamps, uses only 20 Watts
- Dimmable
- Dimensions: 8" W x 0.65" H
- Life—30,000 hours
- 3 Year warranty
- LED Circular light engine
- All necessary hardware for installation into a variety of flush mount fixtures
- Instructions and wiring diagrams
- A. (1) circular light engine
- B. (6) small wire nuts
- C. (6) medium wire nuts
- D. (1) lock-down retaining ring & washer
- E. (3) 1" #4 screws
- F. (4 x 2 each) assorted snap-in grommets (install grommets where supply wires enter fixture for power).
- G. Wiring Diagram



Easily converts most standard flush mount fixtures to LED



Item	Description	W	V	CCT	CRI	Lm	Life/Hrs..	UPC	Pack
S9782	20W/LED/LIGHT ENGINE/27K/RK	20	120-277	2700K	90	1450	30K	045923097829	20/1
S9783	20W/LED/LIGHT ENGINE/30K/RK	20	120-277	3000K	90	1550	30K	045923097836	20/1
S9784	20W/LED/LIGHT ENGINE/40K/RK	20	120-277	4000K	90	1650	30K	045923097843	20/1

Item	Page	Item	Page	Item	Page	Item	Page	Item	Page
S9952	129	S11277	7	S11402	41	S11821	95	S11958	140
S9953	129	S11278	7	S11403	41	S11822	95	S11959	140
S9960	21	S11279	8	S11404	41	S11824	95	S11960	133
S9961	21	S11280	8	S11405	41	S11825	95	S11961	133
S9962	25	S11300	37	S11406	42	S11832	97	S11962	133
S9963	25	S11301	37	S11407	42	S11833	97	S11963	133
S9964	21, 23	S11302	37	S11408	42	S11834	97	S11964	141
S9965	25	S11303	37	S11409	42	S11835	97	S11965	141
S9966	31	S11304	37	S11410	47	S11836	97	S11966	141
S9967	31	S11305	37	S11411	47	S11837	97	S11967	141
S9968	31	S11306	37	S11412	47	S11900	143	S11970	147
S9969	31	S11307	37	S11413	47	S11901	143	S11971	147
S9970	31	S11310	50	S11414	45	S11902	143	S11972	147
S9971	31	S11311	50	S11415	45	S11903	143	S11973	147
S9980	91	S11320	41	S11416	45	S11904	143	S11974	150
S9981	91	S11321	41	S11417	45	S11905	143	S11975	150
S9982	91	S11329	54	S11418	53	S11906	143	S11976	150
S9983	91	S11330	54	S11419	53	S11907	143	S11977	150
S9986	29	S11331	54	S11420	71	S11908	143	S11980	135
S9987	29	S11332	54	S11421	49	S11909	143	S11981	135
S11210	93	S11333	69	S11422	53	S11910	137	S11982	135
S11211	93	S11334	87	S11423	53	S11911	137	S11983	135
S11212	93	S11335	87	S11424	53	S11912	137	S11984	135
S11213	93	S11336	87	S11425	53	S11913	137	S11985	135
S11214	93	S11340	87	S11427	49	S11914	137	S11986	135
S11215	93	S11341	87	S11428	49	S11915	137	S11987	135
S11216	93	S11342	87	S11430	44	S11916	137	S11988	135
S11217	93	S11343	87	S11431	44	S11917	137	S11989	135
S11218	62	S11355	14	S11432	44	S11918	151	S11990	135
S11219	62	S11356	14	S11433	44	S11919	151	S11991	135
S11220	64	S11357	15	S11434	45	S11920	136	S11992	135
S11221	64	S11358	15	S11435	45	S11921	136	S11993	135
S11222	64	S11359	15	S11437	51	S11922	136	S11994	135
S11223	64	S11360	15	S11438	51	S11923	136	S11995	135
S11250	7	S11361	15	S11440	65	S11926	140	S11996	135
S11251	7	S11362	15	S11441	65	S11927	140	S11997	135
S11252	7	S11363	17	S11442	65	S11928	151	S11998	135
S11253	7	S11364	17	S11503	16	S11929	151	S11999	135
S11254	7	S11365	18	S11504	16	S11930	153	S12100	17
S11255	7	S11366	18	S11508	16	S11931	153	S12101	17
S11256	7	S11367	19	S11509	16	S11932	153	S12102	17
S11257	7	S11368	19	S11513	16	S11933	153	S12103	17
S11258	7	S11369	21	S11514	16	S11934	153	S12104	17
S11259	8	S11370	21	S11540	67	S11935	153	S12105	17
S11260	8	S11371	21	S11541	67	S11936	153	S12106	18
S11261	8	S11372	21	S11542	67	S11937	153	S12107	18
S11262	8	S11373	21	S11543	67	S11938	153	S12108	18
S11263	9	S11374	23	S11550	124	S11939	153	S12109	18
S11264	9	S11375	23	S11551	124	S11940	153	S12110	18
S11265	9	S11376	25	S11552	124	S11941	153	S12111	19
S11266	11	S11377	25	S11553	124	S11942	153	S12112	19
S11267	11	S11378	27	S11554	124	S11943	153	S12113	19
S11268	11	S11379	27	S11640	99	S11944	153	S12114	27
S11269	11	S11380	27	S11641	99	S11950	144	S12115	21
S11270	11	S11381	27	S11740	131	S11951	144	S12116	21
S11271	7	S11382	27	S11741	131	S11952	144	S12117	21
S11272	10	S11383	21	S11742	131	S11953	139	S12118	21
S11273	10	S11384	21	S11743	131	S11954	139	S12244	85
S11274	7	S11385	21	S11800	95	S11955	139	S12245	85
S11275	7	S11400	47	S11801	95	S11956	139	S12246	85
S11276	7	S11401	47	S11820	95	S11957	140	S12247	85

Item	Page	Item	Page	Item	Page	Item	Page	Item	Page
S12400	13	S13131	103	S18402	123	S21801	60	S28578	69
S12401	13	S13132	103	S18403	123	S21802	60	S28579	69
S12402	13	S13133	103	S18404	123	S21803	60	S28580	71
S12403	13	S13134	103	S18450	148	S21804	60	S28593	41
S12404	13	S13135	103	S18451	148	S21805	60	S28594	41
S12405	13	S13136	103	S18452	148	S21806	60	S28595	63
S12406	13	S13140	105	S18453	148	S21807	60	S28596	69
S12407	13	S13141	105	S21323	50	S21924	133	S28597	71
S12408	14	S13142	105	S21324	50	S21925	140	S28602	92
S12409	14	S13143	105	S21325	50	S22210	79	S28613	35
S12410	14	S13144	105	S21326	52	S22211	79	S28614	35
S12411	14	S13145	105	S21327	52	S22212	79	S28617	63
S12412	14	S13150	115	S21328	52	S22213	79	S28618	63
S12413	14	S13151	115	S21400	127	S22214	79	S28619	69
S12414	14	S13152	115	S21401	127	S22215	79	S28650	50
S12415	14	S13153	115	S21402	127	S22216	79	S28652	52
S12416	14	S13154	115	S21403	127	S22217	79	S28653	52
S12417	14	S13155	115	S21404	127	S22218	79	S28680	92
S12418	14	S14984	61	S21405	127	S22219	79	S28681	92
S12419	14	S14985	61	S21406	127	S22240	83	S28682	92
S12420	14	S14986	61	S21407	127	S22241	83	S28683	92
S12421	14	S14987	61	S21700	35	S22242	83	S28684	93
S12422	15	S14988	61	S21701	35	S22243	83	S28685	93
S12423	15	S14989	61	S21702	35	S22250	83	S28686	93
S12424	15	S14990	61	S21703	35	S22251	83	S28687	93
S12425	15	S16400	156	S21704	35	S22252	83	S28690	142
S12426	15	S16401	156	S21705	35	S22253	83	S28691	142
S12427	15	S16402	156	S21706	35	S22430	33	S28692	142
S12428	15	S16403	156	S21707	35	S22431	33	S28693	142
S12429	15	S16404	156	S21708	21	S22432	33	S28694	142
S12430	15	S16405	156	S21709	23	S22433	33	S28695	142
S12431	15	S16406	156	S21710	35	S22703	37	S28696	142
S12432	15	S16407	156	S21711	35	S22707	37	S28697	142
S12433	15	S16408	156	S21712	16	S22712	37	S28698	142
S12434	15	S16409	156	S21713	16	S22713	37	S28710	107
S12435	15	S16410	156	S21714	16	S23403	37	S28711	107
S13100	59	S16411	156	S21720	35	S23407	37	S28712	107
S13101	59	S16412	156	S21721	35	S23412	37	S28713	107
S13102	59	S16413	156	S21722	35	S23413	37	S28714	107
S13103	59	S16414	156	S21723	35	S25011	43	S28715	107
S13104	59	S16415	156	S21724	35	S25012	43	S28716	107
S13105	59	S16416	156	S21725	35	S28483	50	S28717	107
S13106	59	S16417	156	S21726	35	S28484	50	S28725	123
S13107	59	S16418	156	S21727	35	S28485	50	S28726	123
S13108	59	S16419	156	S21728	35	S28486	52	S28727	123
S13109	59	S16420	156	S21729	21	S28487	52	S28728	123
S13110	59	S16421	156	S21730	35	S28488	52	S28729	123
S13111	59	S16422	156	S21731	35	S28491	69	S28765	50
S13112	116	S16423	156	S21732	35	S28492	69	S28766	50
S13113	116	S16424	156	S21733	35	S28493	71	S28767	50
S13114	116	S16425	156	S21734	16	S28547	69	S28768	50
S13115	116	S16426	156	S21735	35	S28557	41	S28769	51
S13118	110	S16427	156	S21736	35	S28558	41	S28770	51
S13119	110	S16500	154	S21737	18	S28560	45	S28785	52
S13120	112	S16501	154	S21738	18	S28561	45	S28786	52
S13121	112	S16502	154	S21739	18	S28562	45	S28787	52
S13122	112	S16503	154	S21740	18	S28563	45	S28788	52
S13123	111	S16504	154	S21741	89	S28574	63	S28789	53
S13124	111	S16505	154	S21742	89	S28575	63	S28790	53
S13127	112	S18400	123	S21743	89	S28576	63	S28931	113
S13130	103	S18401	123	S21800	60	S28577	69	S28932	113

Item	Page	Item	Page	Item	Page	Item	Page
S28937.....	113	S29451.....	77	S29852.....	125	S39798.....	109
S28938.....	113	S29452.....	77	S29853.....	125	S39799.....	109
S28976.....	121	S29453.....	77	S29858.....	125	S39879.....	14
S29004.....	90	S29454.....	77	S29859.....	125	S39900.....	133
S29005.....	90	S29455.....	77	S29860.....	125	S39901.....	133
S29189.....	73	S29456.....	77	S29861.....	125	S39902.....	133
S29312.....	100	S29457.....	77	S29866.....	21	S39903.....	133
S29313.....	100	S29480.....	81	S29867.....	25	S39904.....	133
S29314.....	100	S29481.....	81	S29871.....	17	S39905.....	133
S29315.....	100	S29482.....	81	S29877.....	21	S39906.....	133
S29400.....	75	S29483.....	81	S29878.....	18	S39907.....	133
S29401.....	75	S29484.....	81	S29890.....	21	S39913.....	133
S29402.....	75	S29547.....	92	S29891.....	25	S39914.....	133
S29403.....	75	S29548.....	92	S29910.....	141	S39915.....	133
S29404.....	75	S29549.....	92	S29911.....	141	S39916.....	133
S29405.....	75	S29558.....	45	S29912.....	141	S39926.....	133
S29406.....	75	S29563.....	18	S29917.....	140	S39927.....	133
S29407.....	75	S29589.....	45	S29918.....	140	S39928.....	133
S29408.....	75	S29614.....	69	S29919.....	140	S39929.....	133
S29409.....	75	S29615.....	71	S29920.....	21	S49934.....	131
S29410.....	76	S29618.....	63	S29921.....	25	S49935.....	131
S29411.....	76	S29619.....	63	S29922.....	21	S49936.....	131
S29412.....	76	S29625.....	69	S29923.....	25	S49937.....	131
S29413.....	76	S29626.....	69	S29924.....	141	S49946.....	131
S29414.....	76	S29628.....	70	S29925.....	141	S49947.....	131
S29415.....	76	S29629.....	46	S29942.....	141	S49948.....	131
S29416.....	76	S29697.....	92	S29988.....	17	S49949.....	131
S29417.....	76	S29699.....	46	S38939.....	119	S49975.....	131
S29418.....	76	S29760.....	83	S38946.....	119	S49976.....	131
S29419.....	76	S29761.....	83	S38975.....	119	S49977.....	131
S29420.....	76	S29764.....	83	S39188.....	73	S49978.....	131
S29421.....	76	S29765.....	83	S39390.....	106	S49990.....	131
S29422.....	76	S29804.....	50	S39391.....	106	S49991.....	131
S29423.....	76	S29805.....	52	S39392.....	106	S49992.....	131
S29424.....	76	S29810.....	50	S39393.....	106	S49993.....	131
S29425.....	76	S29811.....	50	S39394.....	106		
S29426.....	76	S29812.....	50	S39395.....	106		
S29427.....	76	S29813.....	50	S39396.....	106		
S29428.....	76	S29814.....	50	S39397.....	106		
S29429.....	76	S29815.....	52	S39596.....	45		
S29430.....	76	S29816.....	52	S39597.....	45		
S29431.....	76	S29817.....	52	S39670.....	106		
S29432.....	76	S29818.....	52	S39671.....	106		
S29433.....	76	S29819.....	52	S39672.....	106		
S29434.....	76	S29830.....	41	S39673.....	106		
S29435.....	76	S29831.....	41	S39674.....	106		
S29436.....	76	S29832.....	41	S39675.....	106		
S29437.....	76	S29833.....	41	S39676.....	106		
S29438.....	76	S29834.....	41	S39677.....	106		
S29439.....	76	S29835.....	42	S39679.....	109		
S29440.....	77	S29836.....	42	S39717.....	142		
S29441.....	77	S29837.....	42	S39718.....	142		
S29442.....	77	S29838.....	42	S39719.....	142		
S29443.....	77	S29839.....	42	S39720.....	142		
S29444.....	77	S29840.....	42	S39738.....	106		
S29445.....	77	S29841.....	42	S39739.....	106		
S29446.....	77	S29842.....	42	S39750.....	109		
S29447.....	77	S29843.....	42	S39751.....	109		
S29448.....	77	S29844.....	42	S39752.....	109		
S29449.....	77	S29850.....	125	S39768.....	109		
S29450.....	77	S29851.....	125	S39769.....	109		



To learn more about Satco | Nuvo,
visit satco.com or contact 800-437-2826.

DISTRIBUTION CENTERS

New York (Headquarters)

110 Heartland Blvd., Brentwood, NY 11717
Tel. 631-243-2022, Fax: 631-243-2027

Texas

2000 Valwood Parkway, Farmers Branch, TX 75234
Tel. 972-247-2437, Fax: 972-247-5408

Florida

900 N.W. 159th Drive, Miami, FL 33109
Tel. 305-624-2044, Fax: 305-623-0286

California

31288 San Benito Street, Hayward, CA 94544
Tel. 510-487-4822, Fax: 510-487-8955

Washington

4710 116th S.W., Mukilteo, WA 98275
Tel. 425-789-3300, Fax: 425-789-3310

Puerto Rico

Campeche Street. 23 Julio
N. Matos Industrial Park, Carolina, PR 00984
Tel. 787-757-3510, Fax: 787-757-3540

Products inventoried in Canada & Mexico:

Contact: internationalsales@satco.com
631-243-2022 Ext. 315