

**LED
FUNCTIONAL
FIXTURES**





NUVO's Functional line of luminaries offers the latest technologies and manufacturing design in LED lighting for the commercial, industrial and residential market.

We bring quality, value and design to every product we create. With each progressive generation our technology and engineering advance, improving product performance, versatility of application, ease of installation, safety, maintenance and overall satisfaction.

NUVO provides lighting solutions you can count on, and products you can rely on.

We do the LIGHT thing.
We do the RIGHT thing.™

SATCO® is a single source solution for all of your lighting needs, from emerging LED technologies to decorative fixtures and lighting components, we carry products for nearly every industry and application.

As a turnkey lighting operation, SATCO brings efficiency, value and an ease of doing business to our customers.



50+ YEARS IN
BUSINESS

100% INDEPENDENT
PRIVATELY OWNED

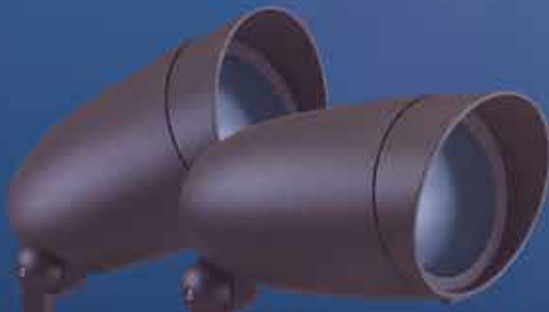
15,000 +
PRODUCTS

2 MILLION SQ. FT
OF INVENTORY

6 WAREHOUSE
LOCATIONS

Independent and privately owned for over 50 years, SATCO® is grown on traditional values: trust, quality, loyalty and hard work. Agile in practice, unwavering in customer focus.

**we deliver on
product, promise & partnership.**





LAY IN/HIGH BAY

Advancements in the manufacturing design of SATCO's lay in and high bay fixtures expand their opportunity in the market. Among our new introductions: Adjustable Panel Linear High Bay and our Emergency Battery Back Up Troffers, UFO High Bay and our CCT selectable back lit panels.

Features like flicker-free technology and a bevy of accessories extend product versatility through installation, light diffusion, beam angle adjustment and more.



SURFACE MOUNT

While Satco boasts many surface mount fixtures, Blink® is by far our stand out. Sleek and minimalistic, this dexterous fixture plays well in any environment.

Damp or wet location certified, available in numerous shapes and size combinations in "new classic" finishes like gunmetal, polished nickel, white and matte black, BLINK® goes just about anywhere. In 2020 NUVO introduced Blink Luxe to the family, our most decorative introduction yet.

Most Blink fixtures meet T24 requirements, Many are ENERGY STAR® certified.



UTILITY

NUVO's LED "utility" fixtures are designed to light spaces effectively, efficiently and conveniently with clean lines and unobtrusive styling. From laundry rooms, garages, stairwell and closets in the home and commercial applications including retail, office buildings, workshops and more.

Satco's 2020 utility offering includes connectible lighting, photo sensors, motion sensor, dimmable, color selectable, and emergency ready options.



With every new introduction and every generation, new technologies advance LED lighting.



MULTI PURPOSE

Simple, cost-effective, decorative fixtures that are low maintenance, energy efficient and aesthetically neutral answer the needs of a variety of spaces, making them popular lighting products.

These fixtures move from residential to commercial, bedroom to basement, closet to kitchen. NUVO's offering include damp locations, sensor options, all at a premium value.



FLOOD LIGHTS AND WALL

Architectural lighting enhances the exterior of any building and landscaping. NUVO 2020 includes an expansion of flood lights and outdoor wall mounted fixtures.

From durable, quality flood lights in multiple sizes and mounting options to commercial wall fixtures that bring sophistication to any facade,

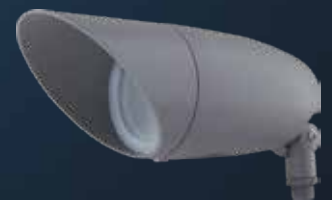
NUVO's proven designs and products have continued to win on value, quality and design.



LANDSCAPE FLOODS

Landscape flood lights that are high powered, easy to install, easy to adjust and easy to maintain – the outdoor flood light features your customers are looking for!

No transformer is required with these energy savers available in 6W, 9W and 12W versions. Low to no maintenance, and long LED life.





CANOPY/AREA/ WALL

Exterior lighting for security, safety and illumination; rugged enough to withstand the elements and available at a motivating, energy-saving value.

NUVO's DLC® and DLC® Premium commercial outdoor fixtures are packed with premium features, many with built-in microwave sensors or sensor add-ons. With DLC® premium rebates and LED energy savings, the ROI is built right in.



STEP LIGHTS

NUVO's LED step lights are offered in horizontal and vertical configurations.

No transformer is required. Both models are available in gray, white and bronze, 3000K and are dimmable

Step lights are one of NUVO's newer additions to our expanding outdoor design category.



RECESSED

NUVO's unrivaled offering of recessed downlighting is both vast and diverse. We continue to offer new retrofit options to help bridge technology and we include new features like selectable CCT and remote drivers. Architectural options such as our new linear recessed and NUVO's popular FREEDOM® line of architectural downlights offer high end options at a great value; and commercial color selectable downlights with both lumen and CCT selection offer the ability to replace as many as 120 skus with 8, an unbelievable value.



We do the LIGHT thing.
We do the RIGHT thing.™



TRACK

Track lighting, track heads and now mono points continue to prove one of the most versatile fixtures in lighting. From retail to residential, track continues to maintain its place in modern mainstream design while also providing useful, adaptable accent lighting.

New double track heads, mono points and shape variations provide subtle modern twists; and, of course, generation after generation, light efficacies continue to advance.



CounterQuick™

No matter how you hang it, install it, connect it, link it, wire it, or light it – CounterQUICK™ is designed to help get the job done; with installation solutions that save on labor, quality, and durability that make for a long maintenance free life.

With an advanced CCT selection and high/low switch, CounterQUICK™ is a stocking and installation advantage as well as an added value to property owners. Adjust the light output and select a desired color temperature right at the fixture.

Optional extension cables link fixtures across large areas – around corners and cabinets – eliminating the need for additional wiring to the power source.


COUNTERQUICK™
LED Linkable Under Cabinet Fixture



We do the LIGHT thing. We do the RIGHT thing.™

TABLE OF CONTENTS

Architectural Outdoor Wall144-147
BLINK	194-207
BLINK Emergency	208-209
BLINK Luxe186-187
BLINK Plus188-193
Bulkhead Fixtures148-149
Canopy Lights34-37
Carport / Area Light26-29
Cloud Fixtures154-165
Commercial Downlights 112-115
Direct Wire Recessed 86-105
Disk Lights150-153
Downlight Retrofits78-83
Dual Head Security.136-139
Flat Panels 70-71
Flood Lights 38-41
High Bay. 42-51
Landscape Floods140-141
Linear Strip52-59
Linear Tri-Proof.62-63
Linear Vapor Tight60-61
Recessed Can Assemblies.84-85
Remote Driver Downlights 106-111
Shop Lights68-69
Step Lights142-143
Strips66-67
Track Lighting. 116-129
Troffers 72-77
Under Cabinet / Cove130-135
Utility / Multi Purpose 164-181
Utility Indoor / Outdoor182-185
Vapor Tight30-33
Wall Packs. 10-25
Wraps64-65



ENERGY SAVINGS, COMPLIANCE AND CODE

Energy savings through lighting conversion is one smart way to drastically lower utility costs and meet the new and increasing compliance code demands.



DLC® AND DLC® PREMIUM

SATCO|NUVO's commercial LED fixtures are created to replace traditional technologies with ease, providing low wattage alternatives that save money, maintenance and provide lasting solutions.



ADVANCED TECHNOLOGIES

From Microwave and PIR Sensors, CCT and Wattage Selectable switches and add on emergency backup sensors, SATCO® creates fixtures that offer enhancements that preform additional duties for enhanced efficiencies and overall savings.



INNOVATIVE DESIGN

Adjustable arms, remote drivers, rugged all-in-one fixtures, space adjusting clips, angle adjusting joints, air tight design, adjustable mounting our lighting products are designed for versatility.



RETROFIT SOLUTIONS

SATCO® offers a wide variety of cost savings retrofit products for applications that require maintaining the existing luminaries to be brought up to required efficiencies standards.

WALL PACKS WATTAGE & CCT SELECTABLE



Features:

- CCT Selectable - 3000K/4000K/5000K
- Wattage selectable switch - 3 selections
- Traditional or Semi-cutoff footprints
- Bronze finish
- Built-in by-passable photocell
- 110° Beam angle
- Operating temperature:
-40°C to 50°C (-40°F to 122°F)
- 5 Year Warranty



Semi-Cutoff
Full Footprint



ColorQuick™

Selectable Color Technology

Switch to/from the following CCT



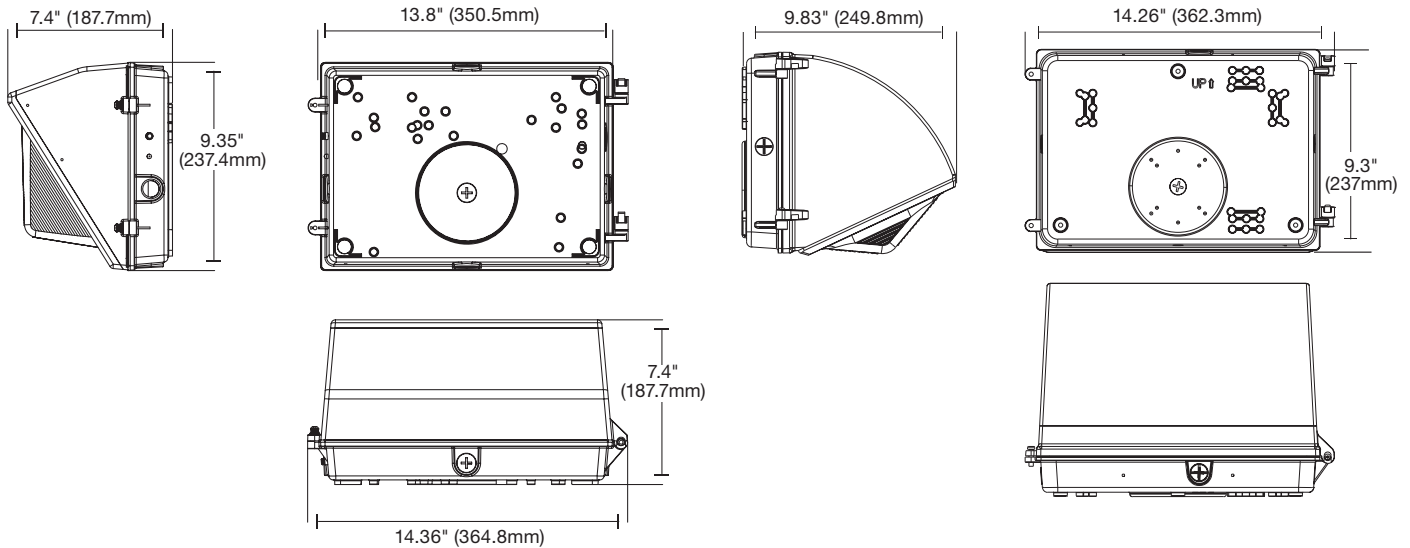
PowerQuick™

WALL PACKS WATTAGE & CCT SELECTABLE



65-755, 65-756, 65-757, 65-758

65-760, 65-761

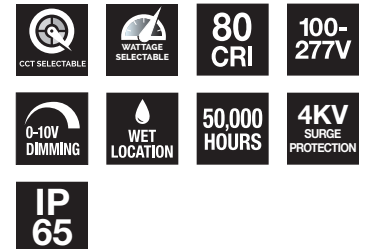


Item	Description	Wattage Selectable	V	CCT Selectable	Lm	Pack
Traditional Full Footprint						
65-755	Wall Pack - Bronze	29W/40W/60W	120V-277V	3000K/4000K/5000K	4060-8640	1
65-756	Wall Pack - Bronze	80W/100W/120W	120V-277V	3000K/4000K/5000K	11200-17280	1
65-757	Wall Pack - Bronze	29W/40W/60W	120V-347V	3000K/4000K/5000K	4118-8700	1
65-758	Wall Pack - Bronze	80W/100W/120W	120V-347V	3000K/4000K/5000K	11360-17400	1
Semi-Cutoff Full Footprint						
65-760	Wall Pack - Bronze	29W/40W/60W	120V-277V	3000K/4000K/5000K	3915-8400	1
65-761	Wall Pack - Bronze	80W/100W/120W	120V-277V	3000K/4000K/5000K	10800-15600	1

*Consult Satco or visit www.satco.com for an up to date dimmer compatibility list. See warranty for details.

Product sheet NU1570

Specifications



Certifications



ADJUSTABLE WALLPACK CCT SELECTABLE



Features:

- 28W, 40W, 60W and 80W Options
- CCT Selectable - 3000K/4000K/5000K
- Adjusts from 0° to 90°
- Die-cast aluminum body
- UV stabilized powder coated
- Bronze finish
- Impact resistant polycarbonate lens
- 65° x 95° Beam angle
- Operating temperature:
-40°C to 40°C (-40°F to 104°F)
- IP65
- 5 Year warranty



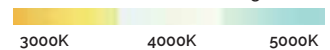
Wall Pack
(shown at 45°)



ColorQuick™

Selectable Color Technology

Switch to/from the following CCT



ADJUSTABLE WALLPACK CCT SELECTABLE

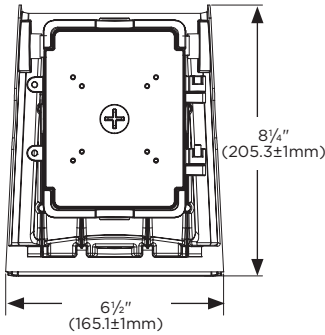
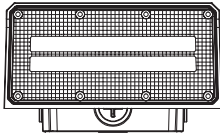


Wall Pack
(shown at 90°)

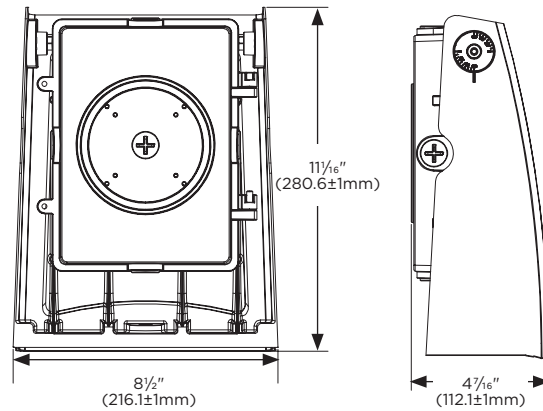
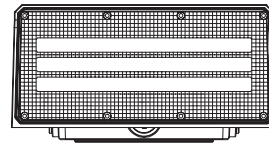


Adjusts from 0° to 90°

28W & 40W
Wall Pack



60W & 80W
Wall Pack



Item	Description	W	Lm	CCT Selectable	MH Equiv.	Pack
65-677	28W Wall Pack - Bronze	28	3360-3500	3000K/4000K/5000K	150-200W	4
65-678	40W Wall Pack - Bronze	40	4800-5000	3000K/4000K/5000K	100-150W	4
65-679**	60W Wall Pack - Bronze	60	7200-7500	3000K/4000K/5000K	150-200W	4
65-680**	80W Wall Pack - Bronze	80	9600-10000	3000K/4000K/5000K	250W	4

Accessories

86-205	**Add-on Photocell for LED Wall Pack Fixture (for 65-679 and 65-680 only)					1
--------	---	--	--	--	--	---

*Consult Satco or visit www.satco.com for an up to date dimmer compatibility list.
See warranty for details.

Product sheet NU1625

Specifications

CCT SELECTABLE

80 CRI

120-277V

1-10V DIMMING

WET LOCATION

50,000 HOURS

4KV SURGE PROTECTION

Certifications

SEMI CUTOFF WALL PACK CCT SELECTABLE



Features:

- 40W, 60W and 80W Options
- CCT Selectable - 3000K/4000K/5000K
- Semi cutoff design
- Die-cast aluminum body
- UV stabilized powder coated
- Bronze finish
- 55° x 105° Beam angle
- Operating temperature:
-40°C to 40°C (-40°F to 104°F)
- Impact resistant polycarbonate lens
- IP65
- 5 Year warranty



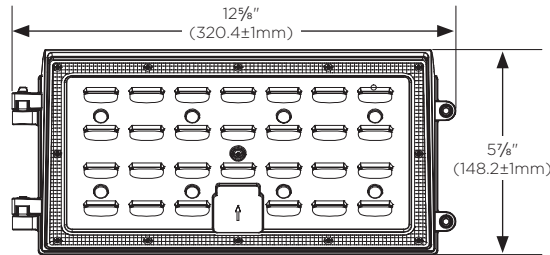
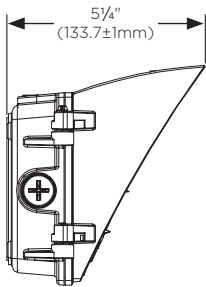
Semi Cutoff Wall Pack



Switch to/from the following CCT



SEMI CUTOFF WALL PACK CCT SELECTABLE

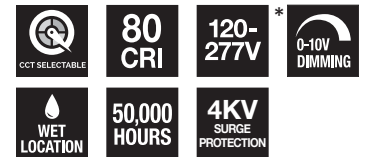


Item	Description	W	Lm	CCT Selectable	MH Equiv.	Pack
65-674	40W Semi Cutoff Wall Pack - Bronze	40	4800-5000	3000K/4000K/5000K	100-150W	1
65-675	60W Semi Cutoff Wall Pack - Bronze	60	7200-7500	3000K/4000K/5000K	150-200W	1
65-676	80W Semi Cutoff Wall Pack - Bronze	80	9600-10000	3000K/4000K/5000K	250W	1
Accessories						
86-205	Add-on Photocell for LED Wall Pack Fixture					1

*Consult Satco or visit www.satco.com for an up to date dimmer compatibility list. See warranty for details.

Product sheet NU1625

Specifications



Certifications



FULL CUTOFF WALL PACK CCT SELECTABLE



Features:

- 28W, 40W, 60W and 80W Options
- CCT Selectable - 3000K/4000K/5000K
- Full cutoff design
- Die-cast aluminum body
- UV stabilized powder coated
- Bronze finish
- 90° x 100° Beam angle
- Operating temperature:
-40°C to 40°C (-40°F to 104°F)
- Impact resistant polycarbonate lens
- IP65
- 5 Year warranty



Full Cutoff Wall Pack



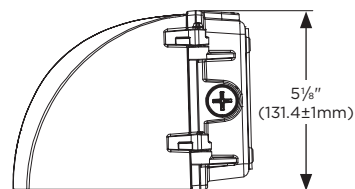
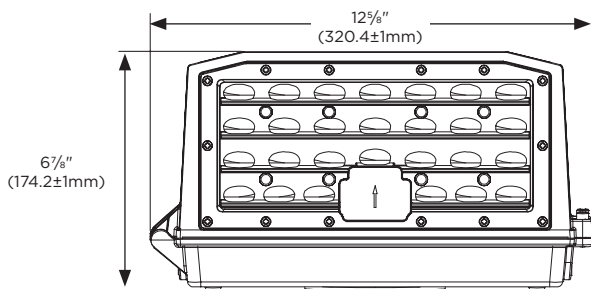
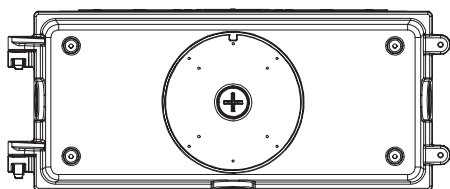
ColorQuick™

Selectable Color Technology

Switch to/from the following CCT



FULL CUTOFF WALL PACK CCT SELECTABLE

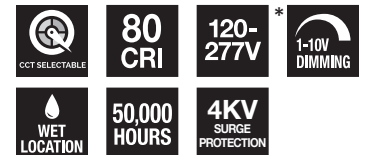


Item	Description	W	Lm	CCT Selectable	MH Equiv.	Pack
65-671	40W Full Cutoff Wall Pack - Bronze	40	4800-5000	3000K/4000K/5000K	100-150W	1
65-672	60W Full Cutoff Wall Pack - Bronze	60	7200-7500	3000K/4000K/5000K	150-200W	1
65-673	80W Full Cutoff Wall Pack - Bronze	80	9600-10000	3000K/4000K/5000K	250W	1
Accessories						
86-205	Add-on Photocell for LED Wall Pack Fixture					1

*Consult Satco or visit www.satco.com for an up to date dimmer compatibility list. See warranty for details.

Product sheet NU1625

Specifications



Certifications



SMALL WALL PACK CCT SELECTABLE



Features:

- 29 and 40W Options
- CCT Selectable - 3000K/4000K/5000K
- Die-cast aluminum body
- UV stabilized powder coated
- Bronze finish
- Integrated, by-passable photocell
- 80°Beam angle
- Operating temperature: -40°C to 40°C (-40°F to 104°F)
- Impact resistant IK10 lens
- IP65
- 5 Year warranty



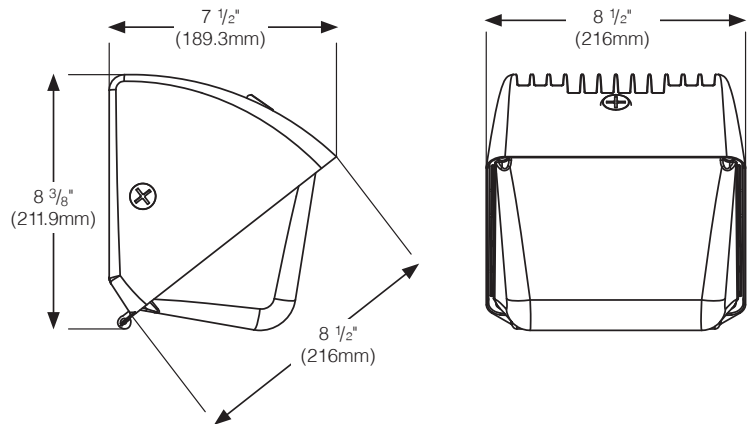
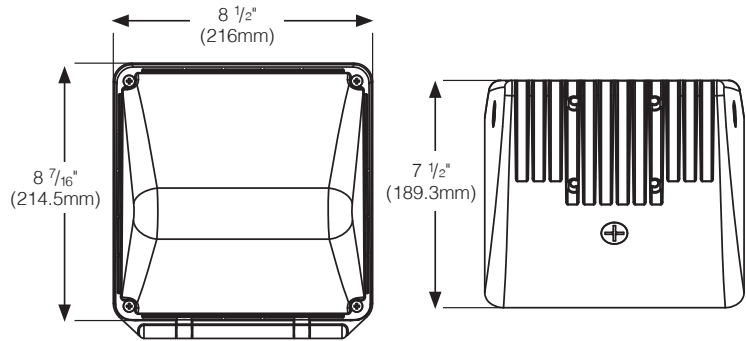
ColorQuick™

Selectable Color Technology

Switch to/from the following CCT

3000K 4000K 5000K

SMALL WALL PACK CCT SELECTABLE

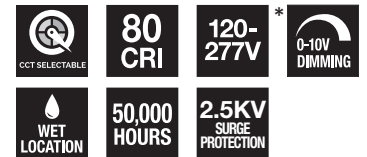


Item	Description	W	Lm	CCT Selectable	Pack
65-655*	Small Wall Pack - Bronze	29	3650-3770	3000K/4000K/5000K	4
65-656	Small Wall Pack - Bronze	40	4200-5000	3000K/4000K/5000K	4

*Consult Satco or visit www.satco.com for an up to date dimmer compatibility list. See warranty for details.

Product sheet NU1628

Specifications



Certifications



SMALL ROUND WALL PACK CCT SELECTABLE WITH PHOTOCELL



Features:

- CCT Selectable - 3000K/4000K/5000K
- Black, Bronze or White finish
- Die cast aluminum body
- Rugged, impact-resistant polycarbonate frosted lens
- Built-in by-passable photocell
- 100°Beam angle
- Operating temperature -30°C to 45°C (-22°F to 113°F)
- IP65
- 5 Year warranty



Black



ColorQuick™

Selectable Color Technology

Switch to/from the following CCT



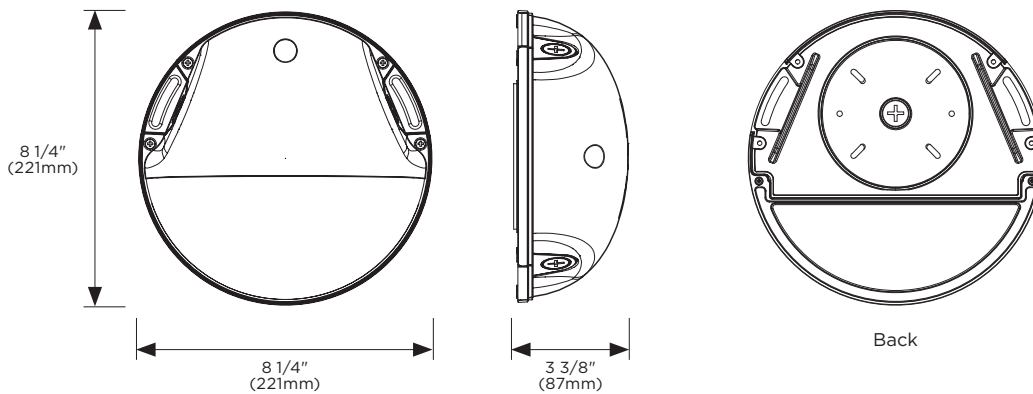
SMALL ROUND WALL PACK CCT SELECTABLE WITH PHOTOCELL



White



Bronze

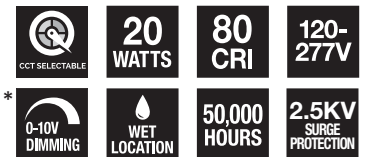


Item	Description	CCT	Lm	Pack
65-750	Small Round Wall pack with photocell - Black	3000K/4000K/5000K	2600-2800	10
65-751	Small Round Wall pack with photocell - Bronze	3000K/4000K/5000K	2600-2800	10
65-752	Small Round Wall pack with photocell - White	3000K/4000K/5000K	2600-2800	10

*Consult Satco or visit www.satco.com for an up to date dimmer compatibility list. See warranty for details.

Product sheet NU1652

Specifications



Certifications



SMALL WALL PACK WITH PHOTOCELL



Features:

- Black, Bronze or White finish
- Die cast aluminum body
- Rugged, impact-resistant polycarbonate frosted lens
- Built-in by-passable photocell
- 4000K and 5000K options
- 100°Beam angle
- Operating temperature -20°C to 45°C (-4°F to 113°F)
- IP65
- 5 Year warranty



Black

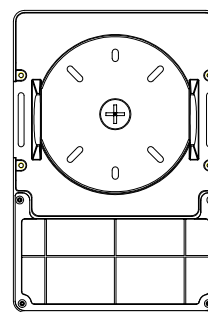
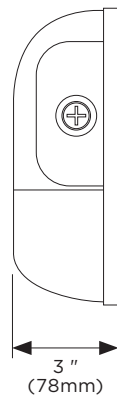
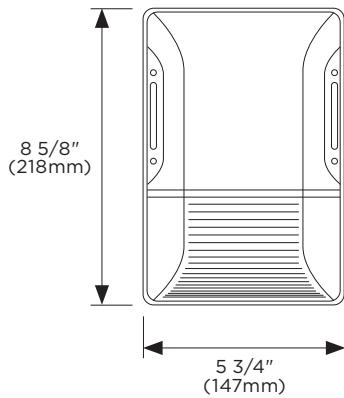
SMALL WALL PACK WITH PHOTOCELL



White



Bronze



Back

Item	Description	CCT	Lm	Pack
65-265	Small Wall pack with photocell - Black	4000K	2669	10
65-266	Small Wall pack with photocell - Black	5000K	2761	10
65-267	Small Wall pack with photocell - Bronze	4000K	2669	10
65-268	Small Wall pack with photocell - Bronze	5000K	2761	10
65-269	Small Wall pack with photocell - White	4000K	2669	10
65-270	Small Wall pack with photocell - White	5000K	2761	10

See warranty for details.

Product sheet NU1547

Specifications

- 20 WATTS**
- 80 CRI**
- 100-277V**
- 2KV SURGE PROTECTION**
- WET LOCATION**
- 50,000 HOURS**

Certifications

WALL PACK



Features:

- 13W Features Photo control - On at dusk / Off at dawn
- Die-cast aluminum body
- UV stabilized powder coated
- Bronze finish
- Operating temperature:
-40°C to 40°C (-40°F to 104°F)
- Prismatic lens for uniform light distribution
- 5 Year warranty

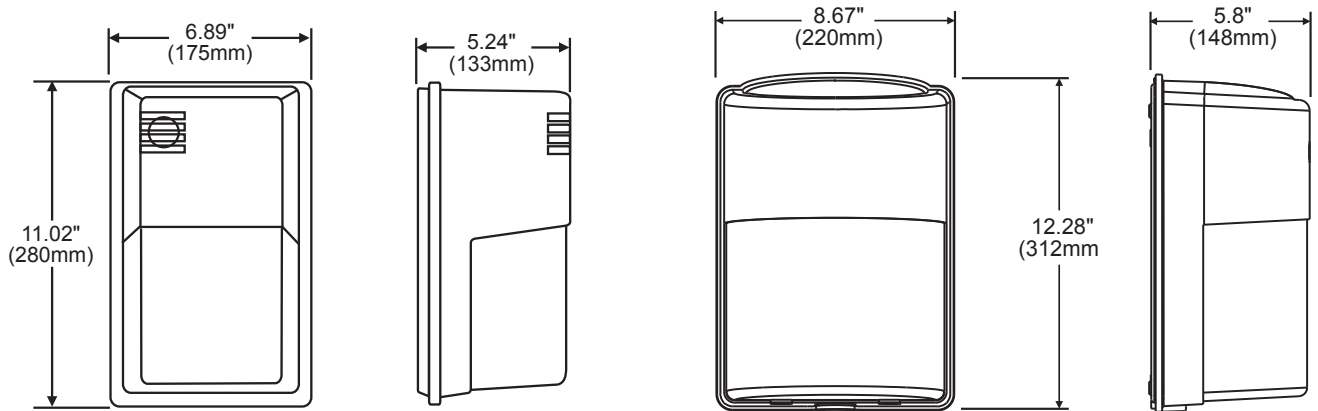


13W Wall Pack w/Photocell

WALL PACK



26W Wall Pack



Item	Description	W	Lm	Life/Hrs.	Pack
65-062	13W w/Photocell - Bronze	13	908	42000	6
65-063	26W - Bronze	26	1691	35,000	6

See warranty for details.

Product sheet NU1583, NU1584

Specifications



Certifications



WALL MOUNT CARPORT/ PARKING AREA LIGHT



Features:

- CCT Selectable - 3000K/4000K/5000K
- 29, 40W and 60W Options
- NEMA Type 5 lens distribution
- Photo control - On at dusk / Off at dawn
- Die-cast aluminum body
- UV stabilized powder coated finish
- Gray or Bronze finish
- Operating temperature:
-40°C to 50°C (-40°F to 122°F)
- 5 Year warranty



Area Light



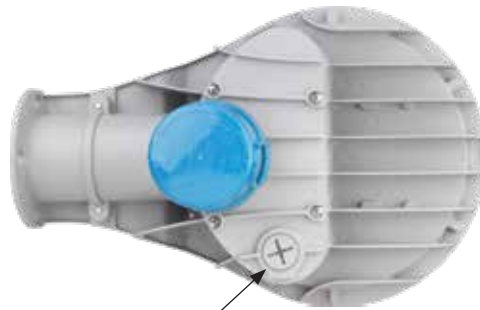
Switch to/from the following CCT



WALL MOUNT CARPORT/ PARKING AREA LIGHT



Type 5 light distribution



Access the CCT selection switch by removing the knockout cap

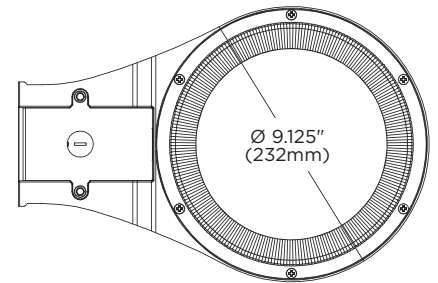
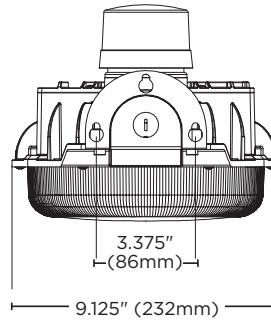
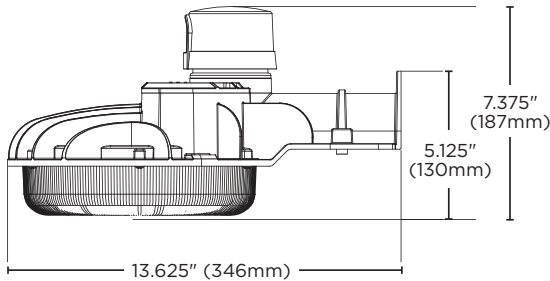
Accessories



65-687
Mounting Arm



65-688
Photocell
Shorting Cap



Item	Description	W	CCT Selectable	Lm	Pack
65-681	29W Area Light W/Photocell - Gray	29	3000K/4000K/5000K	4060-4640	2
65-682	40W Area Light W/Photocell - Gray	40	3000K/4000K/5000K	5600-6400	2
65-683**	60W Area Light W/Photocell - Gray	60	3000K/4000K/5000K	8400-9600	2
65-684	29W Area Light W/Photocell - Bronze	29	3000K/4000K/5000K	4060-4640	2
65-685	40W Area Light W/Photocell - Bronze	40	3000K/4000K/5000K	5600-6400	2
65-686**	60W Area Light W/Photocell - Bronze	60	3000K/4000K/5000K	8400-9600	2
Accessories					
65-687	21" Aluminum Anodized Arm				8
65-688	Photocell Shorting Cap				100

*Consult Satco or visit www.satco.com for an up to date dimmer compatibility list. See warranty for details.

Product sheet NU1645

Specifications

- CCT SELECTABLE
- 70 CRI
- 5000 K
- 120 VOLT
- 1-10V DIMMING
- WET LOCATION
- 50,000 HOURS
- 2KV SURGE PROTECTION
- 4KV SURGE PROTECTION
- IP 65

Certifications

-
-
-

AREA LIGHT WITH BUILT-IN PHOTOCELL



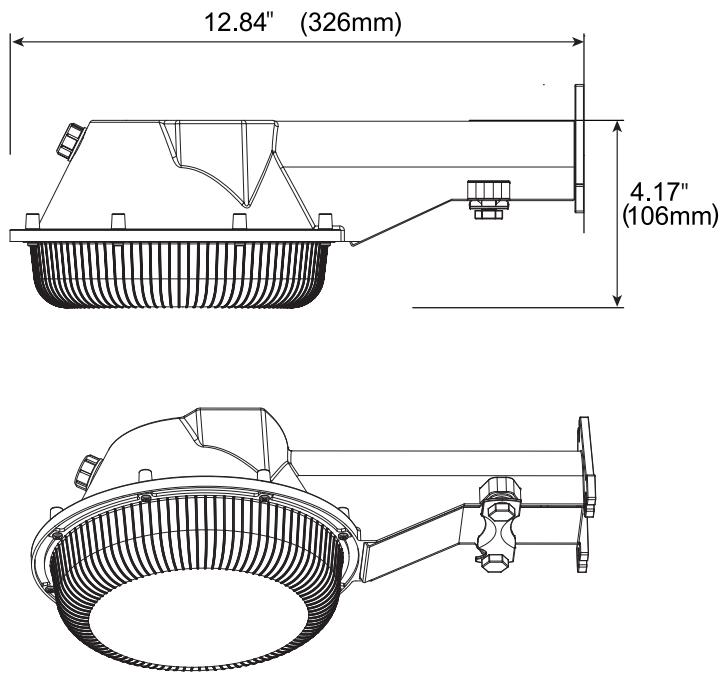
Features:

- Built-in photocell with cover
- 4000K and 5000K Options
- Rugged polycarbonate construction
- Impact-resistant lens
- Black finish
- 90° Beam angle
- Operating temperature:
-30°C to 50°C (-22°F to 122°F)
- IP65
- 5 Year warranty



Area Light

AREA LIGHT WITH BUILT-IN PHOTOCELL



Accessories



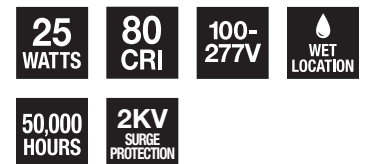
65-687
Mounting Arm

Item	Description	CCT	Lm	Pack
65-244	Area Light w/Photocell - Black	4000K	2250	2
65-245	Area Light w/Photocell - Black	5000K	2250	2
Accessories				
65-687	21" Aluminum Anodized Arm			8

See warranty for details.

Product sheet NU1534

Specifications



Certifications



DIE-CAST VAPOR TIGHT



Features:

- Wall or ceiling mount versions
- Die-cast aluminum body
- UV stabilized powder coated finish
- Silver finish
- Operating temp: -30°C to 50°C (-22°F to 122°F)
- ½" Conduit openings on all 4 sides & 1 in back
- IP65
- 5 Year warranty



Wall Mount Vapor Tight

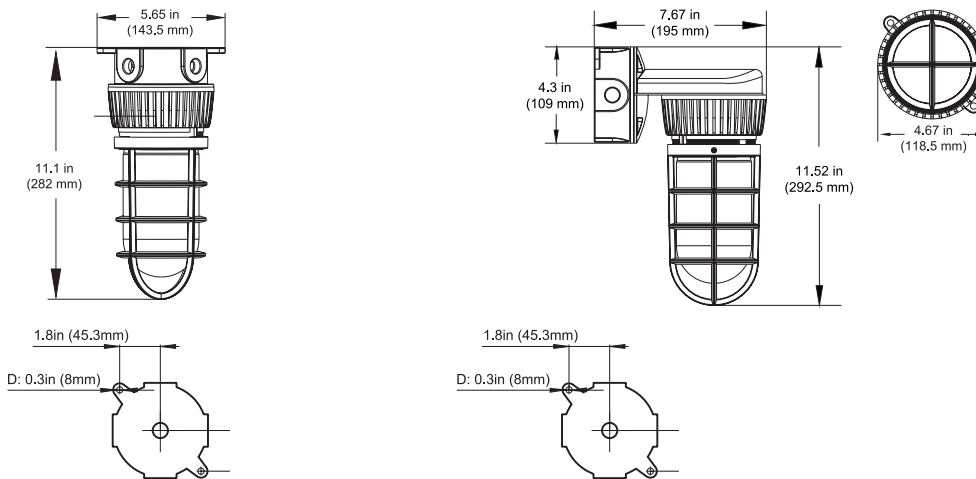
DIE-CAST VAPOR TIGHT



Ceiling Mount Vapor Tight



Wall Mount Vapor Tight



Item	Description	CCT	Lm	Pack
65-223	Wall Mount Vapor Tight - Silver	4000K	1800	2
65-224	Wall Mount Vapor Tight - Silver	5000K	1800	2
65-225	Ceiling Mount Vapor Tight - Silver	4000K	1800	2
65-226	Ceiling Mount Vapor Tight - Silver	5000K	1800	2

Specifications

20 WATTS	80 CRI	100-277V	WET LOCATION
50,000 HOURS	2KV SURGE PROTECTION		

Certifications

ETL	ENERGY STAR	FC	RoHS COMPLIANT
------------	--------------------	-----------	-----------------------

See warranty for details.

Product sheet NU1488

POLYCARBONATE ADJUSTABLE VAPOR TIGHT



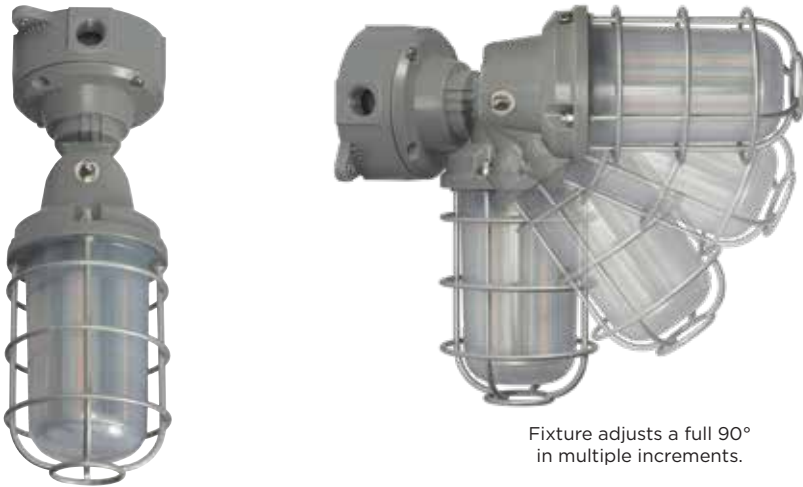
Features:

- 90° Adjustable arm
- Wall or ceiling mount
- Protective stainless steel cage & hardware
- Gray finish
- Operating temp: -40°C to 45°C (-40°F to 113°F)
- ½" Conduit openings on all 4 sides & 1 in back
- IP65
- 5 Year warranty

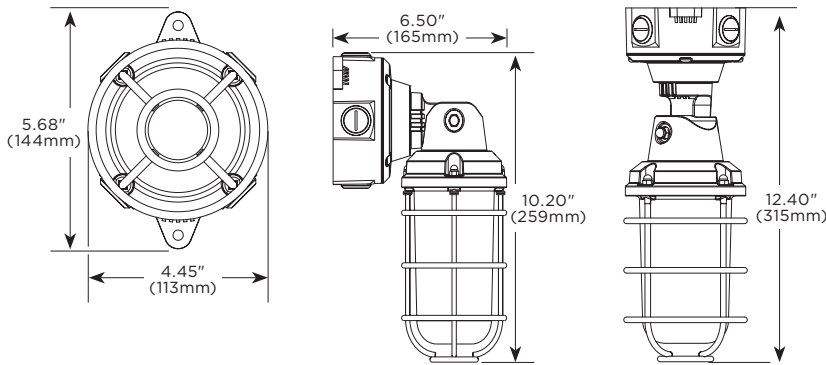


Adjustable Vapor Tight

POLYCARBONATE ADJUSTABLE VAPOR TIGHT



Fixture adjusts a full 90°
in multiple increments.



Item	Description	CCT	Lm	Pack
65-171	Adjustable Vapor Tight - Gray	3000K	2050	6
65-172	Adjustable Vapor Tight - Gray	4000K	2150	6
65-173	Adjustable Vapor Tight - Gray	5000K	2200	6

See warranty for details.

Product sheet NUI488

Specifications

**20
WATTS**

**80
CRI**

**100-
277V**

**WET
LOCATION**

**50,000
HOURS**

Certifications



ROUND CANOPY CCT SELECTABLE



Features:

- CCT Selectable - 3000K/4000K/5000K
- Die-cast aluminum body
- 25W, 40W, 55W, 75W and 100W options
- White or Bronze finish
- UV stabilized powder coated finish
- Ceiling or 3/4" pendant mounting
- Beam angle 150°
- Operating temperature:
-40°C to 50°C (-40°F to 122°F)
- IP65
- 5 Year warranty



Round Canopy, Bronze



ColorQuick™

Selectable Color Technology

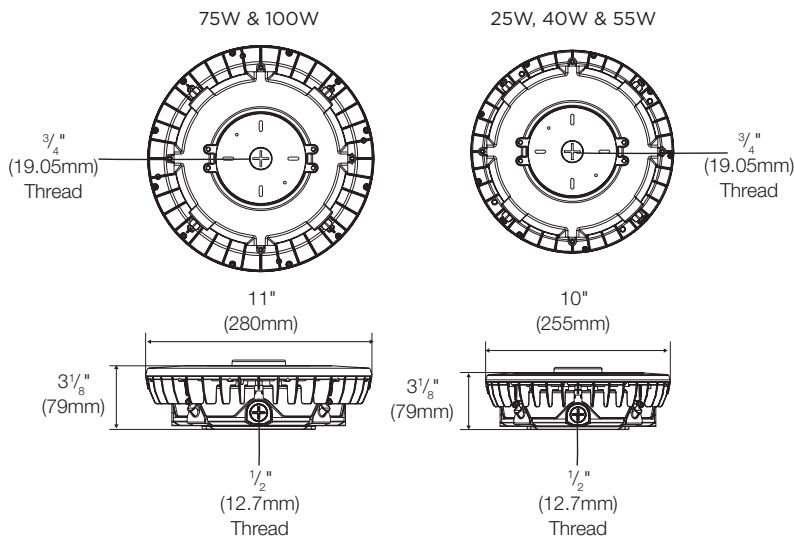
Switch to/from the following CCT



ROUND CANOPY CCT SELECTABLE



Round Canopy, White



Item	Description	W	Lm	CCT Selectable	Pack
65-623	25W Canopy Light - White	25	2800-3322	3000K/4000K/5000K	4
65-624	25W Canopy Light - Bronze	25	2800-3322	3000K/4000K/5000K	4
65-625	40W Canopy Light - White	40	4425-5293	3000K/4000K/5000K	4
65-626	40W Canopy Light - Bronze	40	4425-5293	3000K/4000K/5000K	4
65-627	55W Canopy Light - White	55	6297-7546	3000K/4000K/5000K	4
65-628	55W Canopy Light - Bronze	55	6297-7546	3000K/4000K/5000K	4
65-629	75W Canopy Light - White	75	8876-10485	3000K/4000K/5000K	2
65-630	75W Canopy Light - Bronze	75	8876-10485	3000K/4000K/5000K	2
65-631	100W Canopy Light - White	100	11946-13999	3000K/4000K/5000K	2
65-632	100W Canopy Light - Bronze	100	11946-13999	3000K/4000K/5000K	2

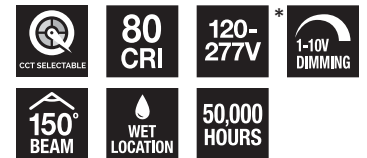
Accessories

86-213	Add-on Microwave Sensor				50
--------	-------------------------	--	--	--	----

*Consult Satco or visit www.satco.com for an up to date dimmer compatibility list. See warranty for details.

Product sheet NU1605

Specifications



Certifications



SQUARE LOW PROFILE CANOPY



Features:

- 28, 40W, 60W and 70W Options
- 4000K and 5000K Options
- Die-cast aluminum body
- 8.5" & 10" sizes
- Bronze finish
- UV stabilized powder coated finish
- Ceiling or 3/4" pendant mounting
- IP65
- 150° Beam angle
- Operating temperature:
-40°C to 40°C (-40°F to 104°F)
- 5 Year warranty

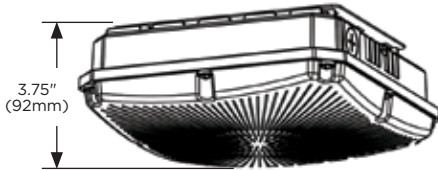


10" Square Canopy

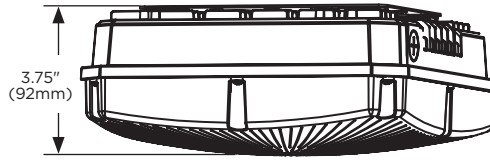
SQUARE LOW PROFILE CANOPY



8.5" Square Canopy



8.5"(216mm) Square



10" (254mm) Square

Item	Description	W	CCT	Lm	Pack
65-138	8.5" Square Canopy - Bronze	28	4000K	3360	6
65-139	8.5" Square Canopy - Bronze	28	5000K	3360	6
65-140	8.5" Square Canopy - Bronze	40	4000K	4800	6
65-141	8.5" Square Canopy - Bronze	40	5000K	4800	6
65-142	10" Square Canopy - Bronze	28	4000K	3360	4
65-143	10" Square Canopy - Bronze	28	5000K	3360	4
65-144	10" Square Canopy - Bronze	40	4000K	4800	4
65-145	10" Square Canopy - Bronze	40	5000K	4800	4
65-146	10" Square Canopy - Bronze	60	4000K	7200	4
65-147	10" Square Canopy - Bronze	60	5000K	7200	4
65-148	10" Square Canopy - Bronze	70	4000K	8400	4
65-149	10" Square Canopy - Bronze	70	4000K	8400	4
Accessories					
86-203	Add-on Microwave Sensor				100
86-204	Add-on Photocell				

*Consult Satco or visit www.satco.com for an up to date dimmer compatibility list. See warranty for details.

Product sheet NU1521

Specifications



50,000 HOURS

Certifications



AREA FLOOD LIGHTS



Features:

- 15W, 30W and 50W Options
- Bronze finish
- Die-cast aluminum body
- UV Stabilized powder coated finish
- Impact-resistant lens
- ½" Knuckle mount and mounting plate included
- 120° Horizontal x 150° vertical beam angle
- 3000K, 4000K and 5000K options
- Operating temperature -20°C to 45°C (-4°F to 113°F)
- IP65
- 5 Year warranty



Small Flood

AREA FLOOD LIGHTS



Medium Flood

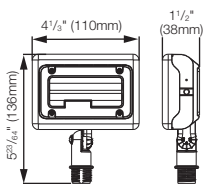


Mounting Plate
(included)

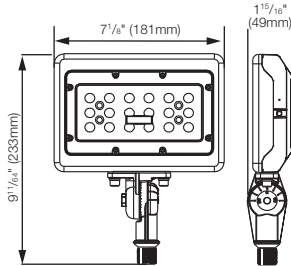


Large Flood

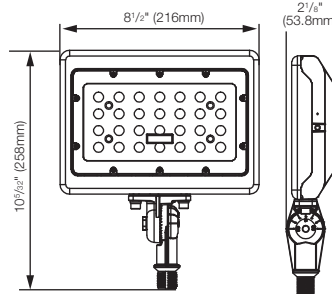
15W with knuckle mount



30W with knuckle mount



50W with knuckle mount



Item	Description	W	MH Equiv.	CCT	Lm	Pack
65-531	Small Flood	15	70W	3000K	1593	16
65-532	Small Flood	15	70W	4000K	1603	16
65-533	Small Flood	15	70W	5000K	1624	16
65-534	Medium Flood	30	70-100W	3000K	3404	8
65-535	Medium Flood	30	70-100W	4000K	3427	8
65-536	Medium Flood	30	70-100W	5000K	3432	8
65-537	Large Flood	50	150W	3000K	5717	6
65-538	Large Flood	50	150W	4000K	5778	6
65-539	Large Flood	50	150W	5000K	5793	6

See warranty for details.

Product sheet NU1604-1

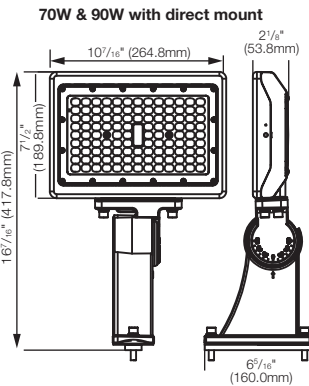
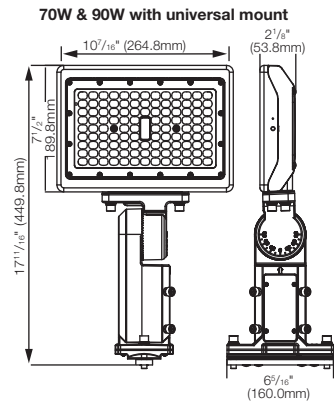
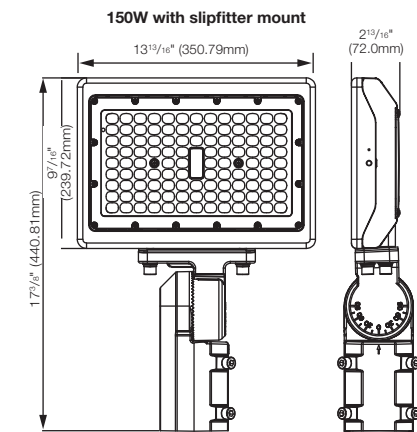
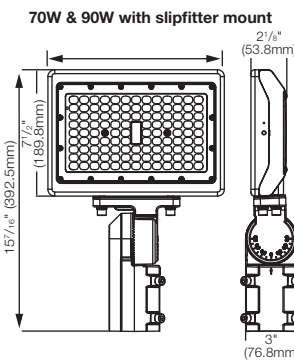
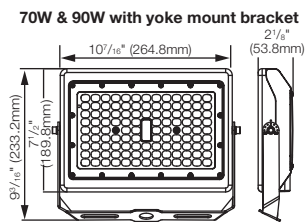
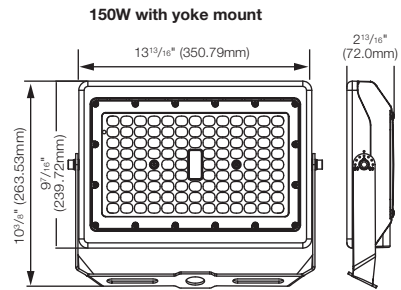
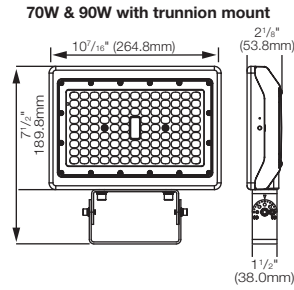
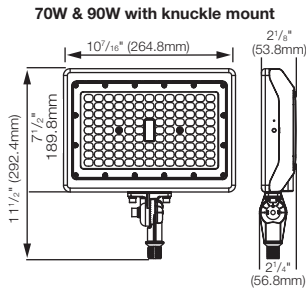
Specifications

- 80 CRI**
- 100-277V**
- WET LOCATION**
- 50,000 HOURS**
- 2KV SURGE PROTECTION**

Certifications

- UL LISTED**
- DLG PREMIUM**
- FC**
- RoHS COMPLIANT**

AREA FLOOD LIGHTS



Features:

- 70W, 90W and 150W Options
- Bronze finish
- Die-cast aluminum body
- UV Stabilized powder coated finish
- Impact-resistant lens
- 2 3/8" Slip-fitter mount included (150W)
- Photocell and multiple mounting options available
- 120° Horizontal x 150° vertical beam angle
- 3000K, 4000K and 5000K options
- Operating temperature -20°C to 45°C (-4°F to 113°F)
- IP65
- 5 Year warranty

70 Watt and 90 Watt with standard 1/2" knuckle mount and mounting plate (included).

Mounting plate included



AREA FLOOD LIGHTS

Accessories

150 Watt with standard 2 3/8" slip-fitter mount (included)



Slip-fitter mount included



Universal Mount



(Direct Mount & 2 3/8" Slip-fitter combo)

Direct Mount



Trunnion Mount



Slip-fitter Mount



Photocell



Yoke Mount
65-605 - 70W & 90W
65-606 - 150W



Item	Description	W	CCT	Lm	MH Equiv.	Pack
65-615	70W Flood	70	4000K	9889	150-200W	5
65-616	70W Flood	70	5000K	10030	150-200W	5
65-617	90W Flood	90	4000K	12651	200W	5
65-618	90W Flood	90	5000K	12758	200W	5
65-619	150W Flood	150	4000K	19500	400W	1
65-620	150W Flood	150	5000K	20250	400W	1
Accessories						
65-604	Trunnion Mount 70W, 90W & 150W Flood - Bronze					20
65-605	Yoke Mount 70W & 90W Flood - Bronze					20
65-606	Yoke Mount 150W Flood - Bronze					20
65-609	Slip-Fitter Mount 70W, 90W & 150W Flood - Bronze					8
65-610	Direct Arm Mount 70W, 90W & 150W Flood - Bronze					6
65-613	Universal Mount 70W, 90W & 150W Flood - Bronze					6
86-212	Photocell 70W, 90W & 150W Flood - Includes All Components					50

*Consult Satco or visit www.satco.com for an up to date dimmer compatibility list. See warranty for details.

Product sheet NU1604-2

Specifications



Certifications



UFO HIGH BAY CCT AND WATTAGE SELECTABLE



Features:

- CCT Selectable - 3000K/4000K/5000K
- Integrated sensor port
- Wattage selectable switch - 3 selections
- Black finish
- Operating temperature 65-770
-40°C to 55°C (-40°F to 131°F)
- Operating temperature 65-771
-40°C to 50°C (-40°F to 122°F)
- 90° Beam angle
- Includes 6' whip

UFO High Bay Optional
Accessories - Page 46-47



Shown with
add-on sensor



ColorQuick™

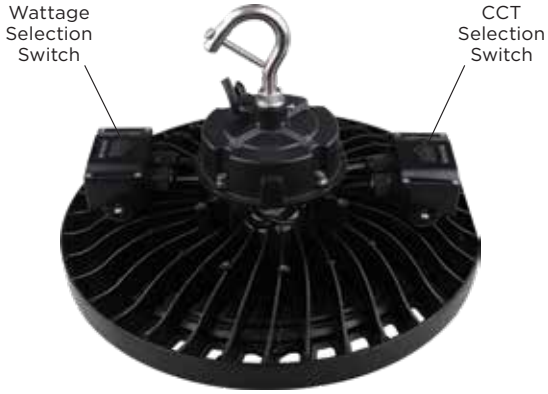
Selectable Color Technology

Switch to/from the following CCT

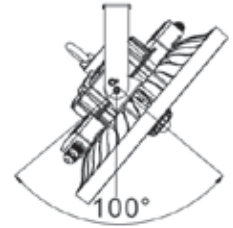


PowerQuick™

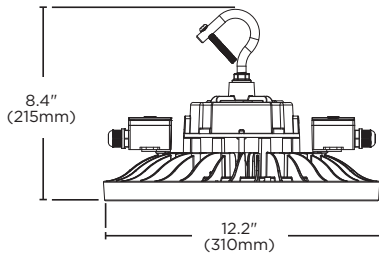
UFO HIGH BAY CCT AND WATTAGE SELECTABLE



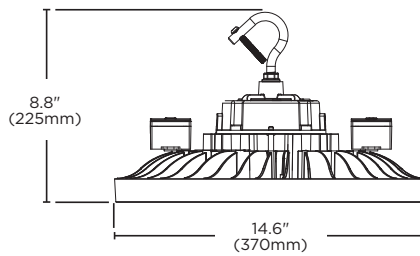
Add on sensor 86-218



Shown with yoke accessory



65-770



65-771

Item	Description	Wattage Selectable	CCT Selectable	Lm	Pack
65-770	8 1/2" x 12 1/4" - Black	80/100/120	3000K/4000K/5000K	11840-18600	1
65-771	8 7/8" x 14 5/8" - Black	150/175/200	3000K/4000K/5000K	22200-28800	1

*Consult Satco or visit www.satco.com for an up to date dimmer compatibility list. See warranty for details.

Product sheet NU1640

Specifications

-
-
-
-
-
-
-
-
-

Certifications

-
-
-
-

UFO HIGH BAY



Features:

- 100W, 150W, 200W, 240W Options
- 4000K & 5000K Options
- Integrated sensor port
- Black or White finish
- Operating temperature
-40°C to 45°C (-40°F to 113°F)
- 90° Beam angle
- Includes 6' whip

UFO High Bay Optional
Accessories - Page 46-47



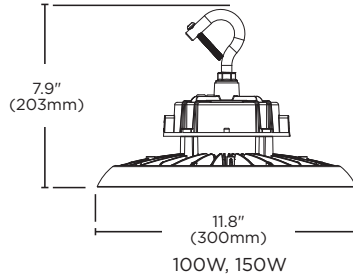
Shown with
add-on sensor

Black

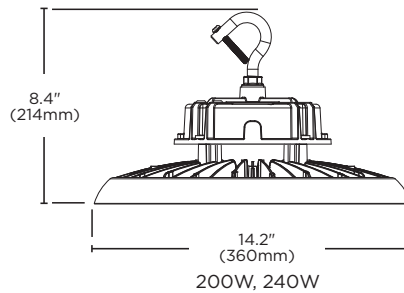
UFO HIGH BAY



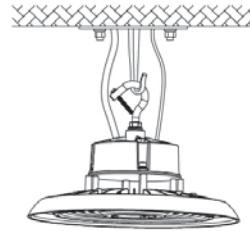
White



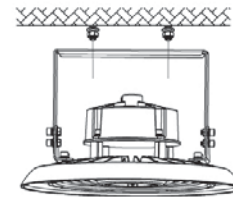
100W, 150W



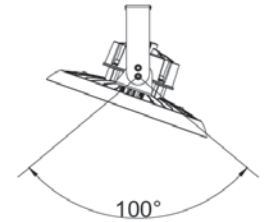
200W, 240W



Add on sensor 86-218



Shown with yoke accessory



100°

Item	Description	W	V	CCT	Lm	Pack
Black 120-277V						
65-781	7 7/8" x 11 7/8" - Black	100	120V-277V	4000K	14000	1
65-782	7 7/8" x 11 7/8" - Black	100	120V-277V	5000K	14400	1
65-783	7 7/8" x 11 7/8" - Black	150	120V-277V	4000K	20850	1
65-784	7 7/8" x 11 7/8" - Black	150	120V-277V	5000K	21600	1
65-785	8 1/2" x 14 1/4" - Black	200	120V-277V	4000K	28000	1
65-786	8 1/2" x 14 1/4" - Black	200	120V-277V	5000K	28800	1
65-787	8 1/2" x 14 1/4" - Black	240	120V-277V	4000K	33360	1
65-788	8 1/2" x 14 1/4" - Black	240	120V-277V	5000K	34560	1
White 120-277V						
65-791	7 7/8" x 11 7/8" - White	100	120V-277V	4000K	14000	1
65-792	7 7/8" x 11 7/8" - White	100	120V-277V	5000K	14400	1
65-793	7 7/8" x 11 7/8" - White	150	120V-277V	4000K	20850	1
65-794	7 7/8" x 11 7/8" - White	150	120V-277V	5000K	21600	1
65-795	8 1/2" x 14 1/4" - White	200	120V-277V	4000K	28000	1
65-796	8 1/2" x 14 1/4" - White	200	120V-277V	5000K	28800	1
65-797	8 1/2" x 14 1/4" - White	240	120V-277V	4000K	33360	1
65-798	8 1/2" x 14 1/4" - White	240	120V-277V	5000K	34560	1
Black 277-480V						
65-801	7 7/8" x 11 7/8" - Black	100	277V-480V	4000K	14100	1
65-802	7 7/8" x 11 7/8" - Black	100	277V-480V	5000K	14500	1
65-803	7 7/8" x 11 7/8" - Black	150	277V-480V	4000K	21000	1
65-804	7 7/8" x 11 7/8" - Black	150	277V-480V	5000K	21750	1
65-805	8 1/2" x 14 1/4" - Black	200	277V-480V	4000K	28200	1
65-806	8 1/2" x 14 1/4" - Black	200	277V-480V	5000K	29000	1
65-807	8 1/2" x 14 1/4" - Black	240	277V-480V	4000K	33840	1
65-808	8 1/2" x 14 1/4" - Black	240	277V-480V	5000K	34800	1

See warranty for details.

Product sheet NU1620

Specifications



Certifications



OPTIONAL UFO HIGH BAY ACCESSORIES



5.5' Supply Extension Whip
with IP68 Connector

IP68 Rated Whip Features
 5.5 Ft. length SJTW 18/3
 Waterproof IP68 rated
 Voltage rating 300V
 Current rating 16A
 Operating temperature range
 -40°C - 105°C (-40°F - 221°F)



65-780 EM for UFO High Bays
 (120-347V) 30W
 90 Minute Run Time



Remote for Microwave Sensor

**Used to program
 86-218 sensors
 with the below settings:**
 Brightness
 Sensitivity
 Hold Time
 Standby Dimming
 Daylight
 Standby Time



Add On Microwave Sensor
 Requires the 86-219 remote to be
 programmed. One remote can control
 any sensor up to 12 meters away.



Yoke Mount - Black or White



3/8" to 3/4" Pendant Adapter -
 Black or White



Aluminum Reflector



Protective Wire Guard

OPTIONAL UFO HIGH BAY ACCESSORIES



PC Shade



Bottom Diffuser,
for use with PC Shade

Item	Description	Application	Pack
65-169	Whip connector; 0-10V 5.5 Ft. - IP68 rated - Black	All	50
65-170	Whip connector; 0-10V 5.5 Ft. - IP68 rated - White	All	50
65-199	Whip connector; 5.5 Ft. - IP68 rated - Black	All	50
65-200	Whip connector; 5.5 Ft. - IP68 rated - White	All	50
65-759	3/8" To 3/4" pendant adapter - White	All	20
65-763	Yoke mount - White	80W/100W/120W, 100W & 150W	20
65-764	Yoke mount - White	150W/175W/200W, 200W & 240W	20
65-765	Yoke mount - Black	80W/100W/120W, 100W & 150W	20
65-766	Yoke mount - Black	150W/175W/200W, 200W & 240W	20
65-767	Aluminum reflector	80W/100W/120W	20
65-768	Aluminum reflector	150W/175W/200W	20
65-769	3/8" To 3/4" pendant adapter - Black	All	20
65-772	PC shade	80W/100W/120W	10
65-773	Add on bottom diffuser w/clamp band	w/65-772	40
65-774	PC shade	150W/175W/200W	10
65-775	Add on bottom diffuser w/clamp band	w/65-774	40
65-776	Protective wire guard	80W/100W/120W	20
65-777	Protective wire guard	150W/175W/200W	20
65-778	Aluminum reflector	100W & 150W	20
65-779	Aluminum reflector	200W & 240W	20
65-780	EM UFO high bays (120-347V)	All	4
65-789	PC shade	100W & 150W	10
65-790	Add on bottom diffuser w/clamp band	w/65-789	40
65-799	PC shade	200W & 240W	10
65-800	Add on bottom diffuser w/clamp band	w/65-799	40
65-809	Protective wire guard	100W & 150W	20
65-810	Protective wire guard	200W & 240W	20
86-218	Add on microwave sensor	All	50
86-219	Remote for 86-218	All	10

See warranty for details.

Product sheets NU1620 / NU1640

LINEAR HIGH BAY



Features:

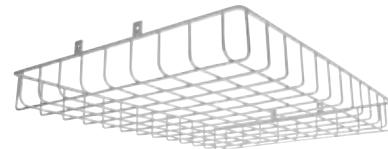
- 80W, 110W, 165W, 225W Options
- 4000K & 5000K Options
- Suspension chain included - 48"
- V-clips included
- Operating temperature -
-20°C to 45°C (-4°F to 113°F)
- 5 Year warranty



LINEAR HIGH BAY



Optional Pendant /
Surface Mount Kit
65-497



Optional Protective Cage
65-498 (2'/80W & 100W)
65-499 (2'/165W)
65-500 (4'/225W)

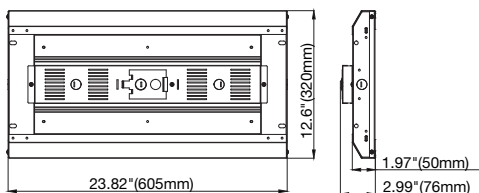


MW Sensor
86-202

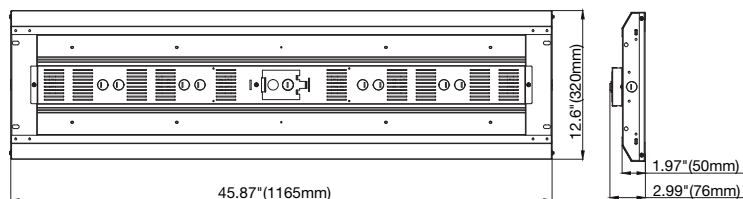


PIR Sensor
86-211

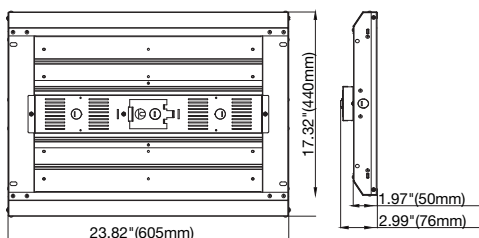
65-501, 60-502, 65-503, 65-504



65-507, 65-508



65-505, 65-506



Item	Size	W	CCT	Lm	Pack
65-501	24" x 12.5"	80	4000K	10400	1
65-502	24" x 12.5"	80	5000K	10400	1
65-503	24" x 12.5"	110	4000K	14300	1
65-504	24" x 12.5"	110	5000K	14300	1
65-505	24" x 17.25"	165	4000K	21450	1
65-506	24" x 17.25"	165	5000K	21450	1
65-507	46" x 12.5"	225	4000K	29250	1
65-508	46" x 12.5"	225	5000K	29250	1

Accessories

65-498	2 FT Wire guard - White	For 80W & 110W	10
65-499	2 FT Wire guard - White	For 165W	10
65-500	4FT Wire guard - White	For 225W	10
86-202	Add on microwave sensor - White		30
86-211	PIR Sensor - White		20
65-497	Pendant/Surface mount kit - White		20

*Consult Satco or visit www.satco.com for an up to date dimmer compatibility list. See warranty for details.

Product sheet NU1519

Specifications



Certifications



ADJUSTABLE LINEAR HIGH BAY

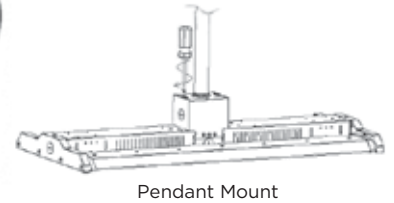
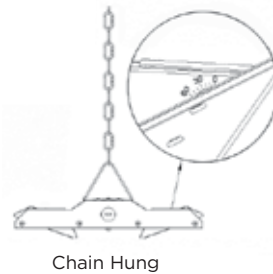
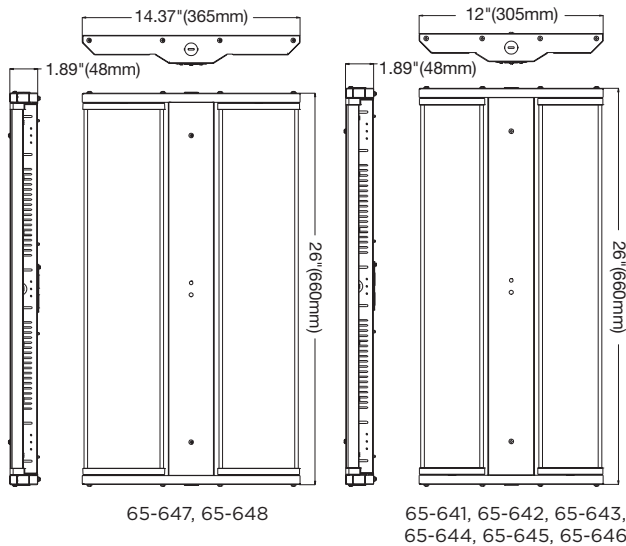
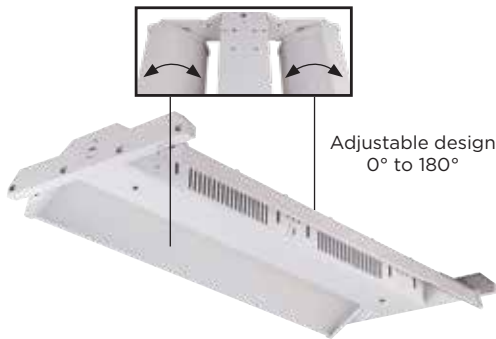


Features:

- Unique adjustable design
- 80W, 110W, 165W, 225W Options
- 4000K & 5000K Options
- Suspension chain included - 40"
- Operating temperature
-40°C to 50°C (-40°F to 122°F)
- 5 Year warranty



ADJUSTABLE LINEAR HIGH BAY



Item	Size	W	CCT	Lm	Pack
65-641	12" x 26"	110	4000K	15297	2
65-642	12" x 26"	110	5000K	15470	2
65-643	12" x 26"	135	4000K	19562	2
65-644	12" x 26"	135	5000K	19770	2
65-645	12" x 26"	165	4000K	22970	2
65-646	12" x 26"	165	5000K	23223	2
65-647	14 3/8" x 26"	220	4000K	30394	2
65-648	14 3/8" x 26"	220	5000K	30742	2

Accessories

65-650	Pendant mount kit adjustable high bay - White	20
65-651	Surface mount kit adjustable high bay - White	20
86-209	EM battery back up adjustable high bay - White	10
86-210	Microwave sensor adjustable high bay - White	20
86-211	PIR sensor - White	20
65-652	Protective cage; 110/135/165W adj high bay - White	20
65-653	Protective cage; 220W adj high bay - White	20

Specifications



Certifications



*Consult Satco or visit www.satco.com for an up to date dimmer compatibility list. See warranty for details.

CCT SELECTABLE, WATTAGE SELECTABLE STRIPS



Features:

- 3500K/4000K/5000K Selectable
- Wattage selectable versions
- Multiple mounting options
- Flicker-free driver
- 2KV Surge protection (3KV 65-703)
- Operating temperature
-20°C to 60°C (-4°F to 140°F)
- 5 Year warranty



ColorQuick™

Selectable Color Technology

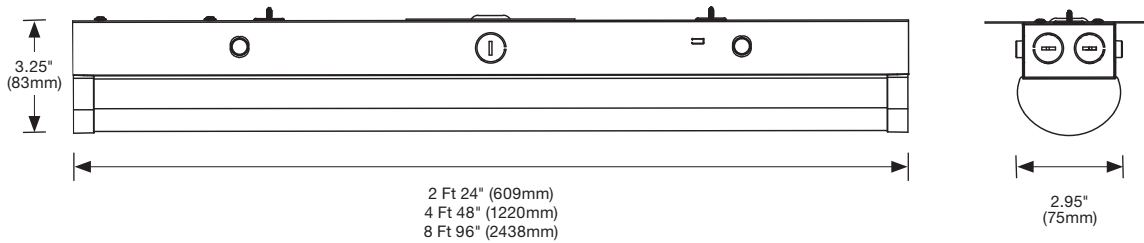
Switch to/from the following CCT



PowerQuick*



CCT SELECTABLE, WATTAGE SELECTABLE STRIPS



Item	Description	W	V	CCT	Lm	Pack
65-700	2 Ft. Linear Strip	20	100-277	3500K/4000K/5000K	3735-2830	6
65-701*	4 Ft. Linear Strip	30/40/50	100-277	3500K/4000K/5000K	3900-6750	6
65-702*	8 Ft. Linear Strip	30/40/50	100-277	3500K/4000K/5000K	3900-6750	4
65-703†	8 Ft. High Lumen Linear Strip	82	120-347	3500K/4000K/5000K	10400-10800	4
Accessories						
65-706	2' & 4' Suspension kit					50
65-707	8' Suspension kit					20
65-708	Emergency Backup Battery - 8W/1440lm/90 minute run time (not for use with 65-700)					20
86-202	Microwave Sensor - White					20
86-211	PIR Sensor - White					20

Specifications

- CCT SELECTABLE
- WATTAGE SELECTABLE
- 80 CRI
- 0-10V DIMMING
- DAMP LOCATION
- 50,000 HOURS
- 2KV SURGE PROTECTION
- 3KV SURGE PROTECTION
- IP 44

Certifications

**Consult Satco or visit www.satco.com for an up to date dimmer compatibility list. See warranty for details.

Product sheet NU1629

SLIM STRIPS



Features:

- Built-in j-box for easy installation
- Six ½" knockout access points on conduit connectible versions
- Integrated connectible version, connect up to 10 units (connector sold separately)
- 2KV Surge protection
- Operating temperature -20° to 40°C (-4°F to 104°F)
- 5 Year warranty



Connectible -
Conduit

SLIM STRIPS



Connectible - Integrated

Accessories

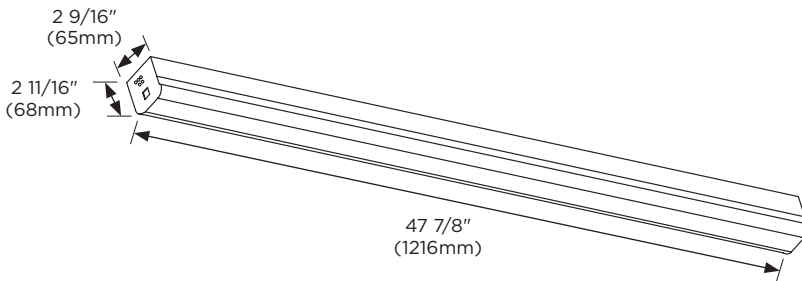
65-1127

65-1118

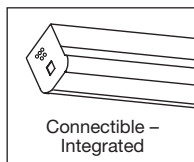
65-1119

86-202
MW Sensor

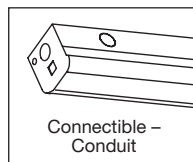
86-211
PIR Sensor



Connectible - Integrated Shown



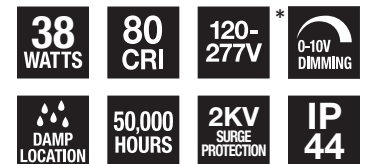
Connectible - Integrated



Connectible - Conduit

Item	Description	CCT	Lm	Linkable	Pack
65-1122	Slim Strip Light	4000K	4565	No	6
65-1123	Slim Strip Light	5000K	4860	No	6
65-1125	Slim Connectible Strip Light	4000K	4565	Yes (10 units)	6
65-1126	Slim Connectible Strip Light	5000K	4860	Yes (10 units)	6
Accessories					
65-1118	Quick Connector				100
65-1119	18" Quick Cable				100
65-1127	33" Suspension Kit				48
86-202	Microwave Sensor - White				20
86-211	PIR Sensor - White				20

Specifications



Certifications



*Consult Satco or visit www.satco.com for an up to date dimmer compatibility list. See warranty for details.

WIDE STRIPS



Features:

- Built-in j-box for easy installation
- Six ½" knockout access points on conduit connectible versions
- Integrated connectible version, connect up to 10 units (connector sold separately)
- 2KV Surge protection
- Operating temperature -20° to 40°C (-4°F to 104°F)
- 5 Year warranty

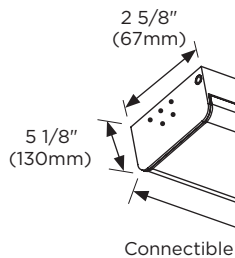


Connectible –
Conduit

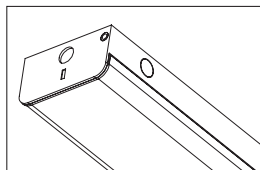
WIDE STRIPS



Connectible - Integrated



Connectible



Connectible - Conduit

47 7/8" (1216mm)

Accessories



65-1127



65-1118



65-1119



86-202



86-211

Connectible version with integrated sensor: controls up to 7 units at 120V and 10 units at 277V

Emergency battery backup version (EM): 90 minute run time - 8W - 1000 lumens



Connectible - Integrated Shown

Item	Description	W	CCT	Lm	Linkable	Pack
65-1132	Wide Strip Light	38	4000K	4829	No	6
65-1133	Wide Strip Light	38	5000K	4909	No	6
65-1135	Wide Connectible Strip Light	38	4000K	4829	10 units	6
65-1136	Wide Connectible Strip Light	38	5000K	4909	10 units	6
65-1142	Wide Strip Light w/Sensor	40	4000K	4829	No	6
65-1143	Wide Strip Light w/Sensor	40	5000K	4909	No	6
65-1145	Wide Connectible Strip Light w/Sensor	40	4000K	4829	10 units	6
65-1146	Wide Connectible Strip Light w/Sensor	40	5000K	4909	10 units	6
65-1152	EM Wide Strip Light	40	4000K	4829	No	6
65-1153	EM Wide Strip Light	40	5000K	4909	No	6
65-1155	EM Wide Connectible Strip Light	40	4000K	4829	10 units	6
65-1156	EM Wide Connectible Strip Light	40	5000K	4909	10 units	6

Accessories

65-1118	Quick Connector					100
65-1119	18" Quick Cable					100
65-1127	33" Suspension Kit					48
86-202	Microwave Sensor - White					20
86-211	PIR Sensor - White					20

Specifications



Certifications



*Consult Satco or visit www.satco.com for an up to date dimmer compatibility list. See warranty for details.

SLIM AND WIDE STRIPS – CONNECTABILITY



Slim and wide connectible strips are available with "jumper cable" connection or male/male quick connector. Only one fixture needs to be wired to energize the entire run, (up to 40' depending on the configuration).

Knockout option for standalone units or traditional conduit connection.

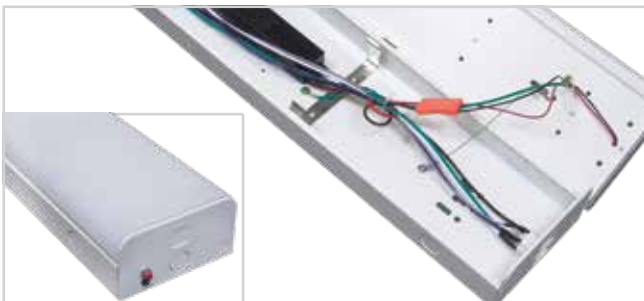


Male/male quick connector allows for almost seamless tandem installation.

Connectible up to 10 units, depending on configuration.



One integrated sensor version can control up to 7 units at 120V and 10 units at 277V.



Emergency battery backup (EM):
Wide LED connectible strip fixtures are available with integrated Emergency Battery Backup.

Battery mode:

- 90 Minute run time
- 8W - 1000 Lumens
- Optional sensors available to accommodate life safety codes, (86-210 microwave), (86-211 PIR)

WIDE STRIPS WITH INTEGRATED MICROWAVE MOTION SENSOR

Settings:

By selecting the combination on the DIP switches, sensor data can be precisely set for each specific application.

ON ↑ [DIP SWITCH]		1	2	
	I	ON	ON	100%
	II	ON	-	75%
	III	-	ON	50%
	IV	-	-	10%

Detection area

Detection area can be reduced by selecting the combination on the DIP switches to fit precisely each application.

ON ↑ [DIP SWITCH]		3	4	5	
	I	ON	ON	ON	5S
	II	-	ON	ON	30S
	III	ON	-	ON	90S
	IV	-	-	ON	3min
	V	ON	ON	-	20min
	VI	-	-	-	+∞

Hold time

Refers to the time period the lamp remains at 100% illumination after no motion detected.

ON ↑ [DIP SWITCH]		6	7	8	
	I	ON	ON	ON	0S
	II	-	ON	ON	5S
	III	ON	-	ON	5min
	IV	-	-	ON	10min
	V	ON	ON	-	30min
	VI	-	ON	-	1h
	VII	-	-	-	Disable

Stand-by period

Refers to the time period the lamp remains at a low light level before it completely switches off in the long absence of people. When set to "+∞" mode, the low light is maintained until motion is detected.

ON ↑ [DIP SWITCH]		1	2	3	4	
	I	-	-	ON	ON	2Lux
	II	-	-	-	ON	5Lux
	III	-	ON	ON	-	10Lux
	IV	-	-	ON	-	25Lux
	V	-	ON	-	-	50Lux
	VI	ON	-	-	-	100Lux
	VII	-	-	-	-	Disable

Daylight sensor

The sensor can be set to only allow the lamp to illuminate below a defined ambient brightness threshold. When set to Disable mode, the daylight sensor will switch on the lamp when motion is detected regardless of ambient light level. 50lux, 30lux: twilight operation, 10lux, 5lux: darkness operation only. Note that daylight sensor is active only when lamp totally switches off.

ON ↑ [DIP SWITCH]		5	6	
	I	ON	ON	50%
	II	-	ON	30%
	III	ON	-	20%
	IV	-	-	10%

Stand-by dimming level

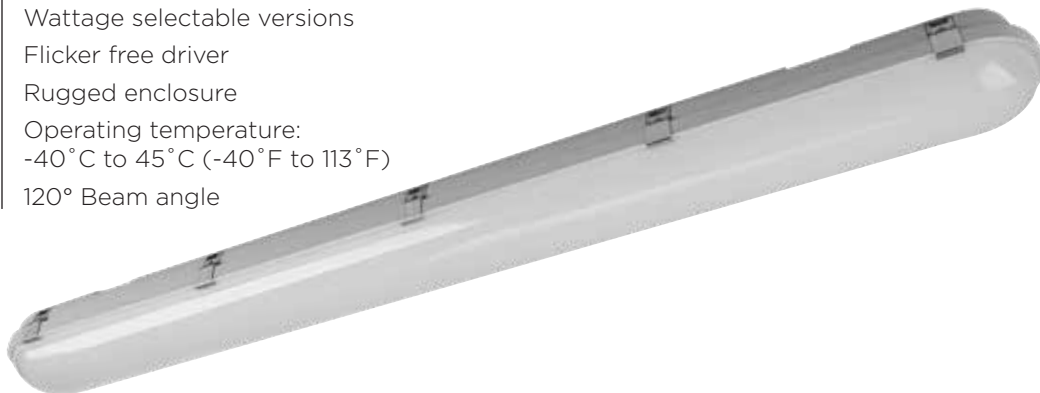
The low light level you would like to have after the hold time in the long absence of people.

VAPOR TIGHT CCT SELECTABLE



Features:

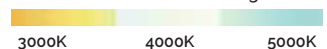
- CCT Selectable - 3000K/4000K/5000K
- Wattage selectable versions
- Flicker free driver
- Rugged enclosure
- Operating temperature:
-40°C to 45°C (-40°F to 113°F)
- 120° Beam angle



ColorQuick™

Selectable Color Technology

Switch to/from the following CCT



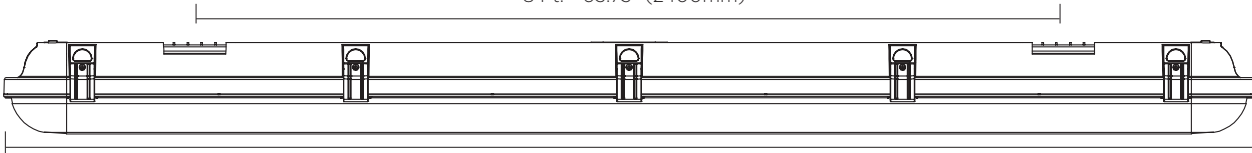
**



PowerQuick™

VAPOR TIGHT CCT SELECTABLE

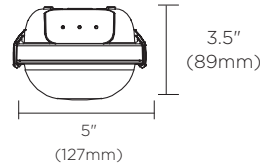
2 Ft. - 10.25" (600mm)
4 Ft. - 31.5" (1200mm)
8 Ft. - 63.75" (2400mm)



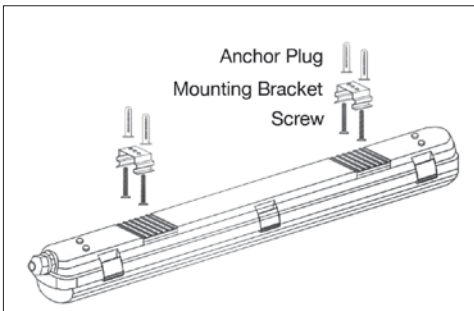
23.625" (600mm)
47.25" (1200mm)
94.5" (2400mm)



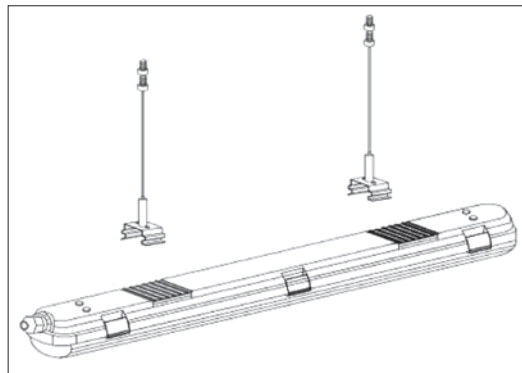
IP68 Connector



Surface installation



Suspension installation



Item	Description	W	CCT	Lm	Pack
65-820*	2' - Gray	20W	3000/4000/5000	2164 - 2505	6
65-821**	4' - Gray	40W/50W/60W	3000/4000/5000	5360 - 7991	6
65-822**	8' - Gray	50W/60W/72W	3000/4000/5000	6400 - 9360	1
65-823	2' w/ Sensor - Gray	20W	3000/4000/5000	2164 - 2505	6
65-824**	4' w/ Sensor - Gray	40W/50W/60W	3000/4000/5000	5360 - 7991	6
65-825**	8' w/ Sensor - Gray	50W/60W/72W	3000/4000/5000	6400 - 9360	1
Accessories					
65-826	2' & 4' Vapor Tight Suspension Kit - 3' Cable Length				100
65-827	8' Vapor Tight Suspension Kit - 3' Cable Length				50

*Consult Satco or visit www.satco.com for an up to date dimmer compatibility list. See warranty for details.

Product sheet NU1470

Specifications

Certifications



TRI-PROOF CCT AND WATTAGE SELECTABLE



Features:

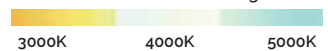
- CCT Selectable - 3000K/4000K/5000K
- Wattage selectable versions
- Flicker free driver
- Rugged enclosure
- Operating temperature:
-40°C to 45°C (-40°F to 113°F)
- 115° Beam angle



ColorQuick™

Selectable Color Technology

Switch to/from the following CCT

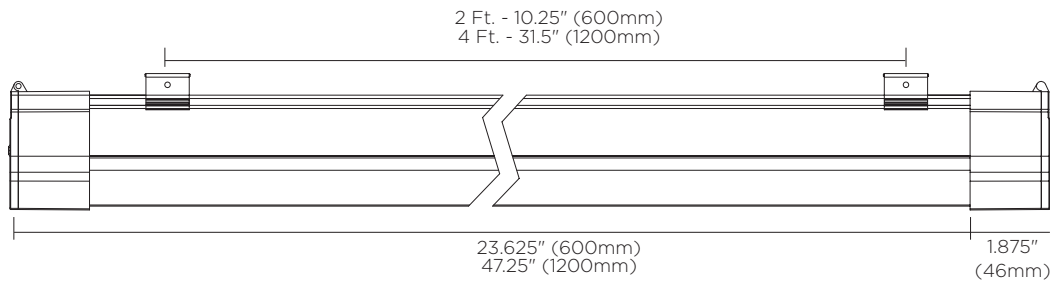


**



PowerQuick™

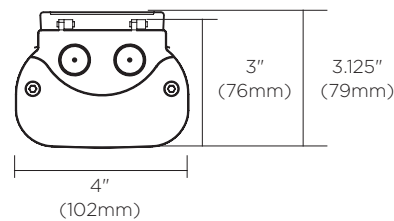
TRI-PROOF CCT AND WATTAGE SELECTABLE



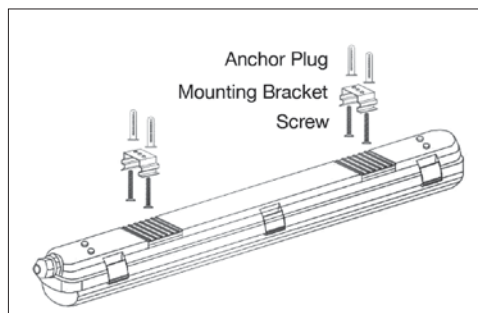
Tri-proof:
 Water/Dust Proof
 Vandal Proof
 Anti-corrosion



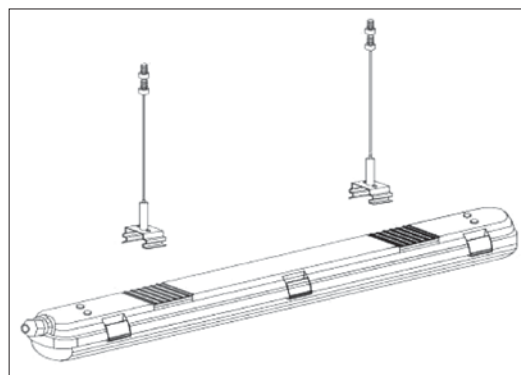
IP68 Connector



Surface installation



Suspension installation



Item	Description	W	CCT	Lm	Pack
65-830*	2' - Gray	20W	3000/4000/5000	2065 - 2249	6
65-831* **	4' - Gray	40W/50W/60W	3000/4000/5000	5040 - 7669	6
65-832	2' w/ Sensor - White/Gray	20W	3000/4000/5000	2065 - 2249	6
65-833*	4' w/ Sensor - White/Gray	40W/50W/60W	3000/4000/5000	5040 - 7669	6
Accessories					
65-828	2' & 4' Tri-Proof Suspension Kit - 3' Cable Length				100

*Consult Satco or visit www.satco.com for an up to date dimmer compatibility list. See warranty for details.

Product sheet NUI470

Specifications

100-277V

80 CRI

50,000 HOURS

2KV SURGE PROTECTION

IP 65

IK 08

Certifications



WRAPS



Features:

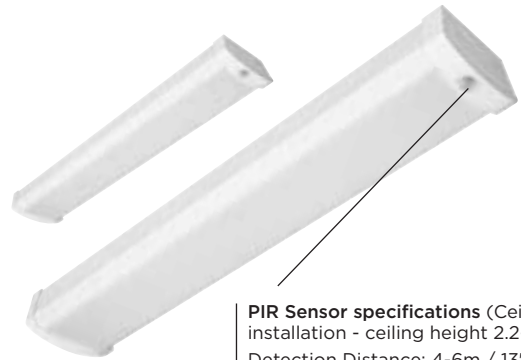
- Complies with NEC 410.16(A)(3) and NEC 410.16(C)(5)
- 2' and 4' Lengths
- With or without pull chain or sensor
- Mount directly to junction box or internally wire using built-in junction box
- Operating temperature -20°C to 40°C (-4°F to 104°F)
- 5 Year warranty



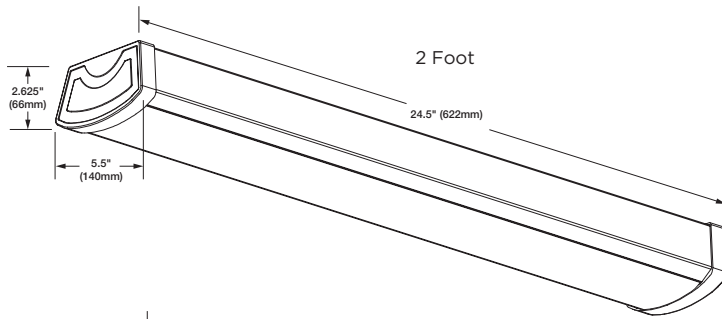
WRAPS



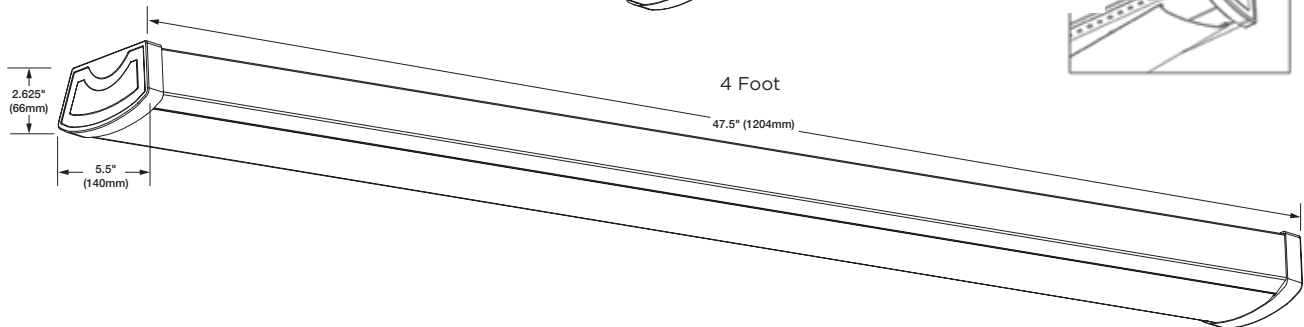
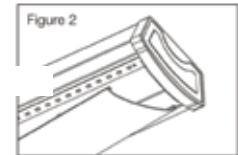
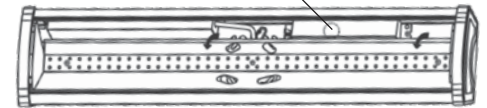
4" Chain
40" String



PIR Sensor specifications (Ceiling mounted installation - ceiling height 2.2-4m / 7'-13'):
 Detection Distance: 4-6m / 13'-20'
 No Detection Shut Off Time: 70 Seconds



Built-in junction box - All models



Item	Description	W	V	CCT	Lm	Pack
65-1081	2 Ft.	20	100-277	4000K	1600	4
65-1082	4 Ft.	40	100-277	4000K	3200	4
65-1083	2 Ft.	20	100-277	3000K	1600	4
65-1084	4 Ft.	40	100-277	3000K	3200	4
Wraps with On/Off Pull Chain						
65-1091	2 Ft.	20	120	3000K	1600	4
65-1092	4 Ft.	40	120	3000K	3200	4
Wraps with Motion Sensor						
65-1095	2 Ft.	20	100-277	3000K	1600	4
65-1096	4 Ft.	40	100-277	3000K	3200	4
65-1097	2 Ft.	20	100-277	4000K	1600	4
65-1098	4 Ft.	40	100-277	4000K	3200	4

See warranty for details.

Product sheet NUI352

Specifications



Certifications



STRIPS



Features:

- 4' and 2' stand-alone versions
- 2' and 4' stand-alone strips comply with NEC 410.16 (A)(3) and NEC 410.16 (C)(5)
- 1', 2', and 4' Connectible versions
- Ceiling or wall mount
- Ultra-slim design
- 5 Year warranty

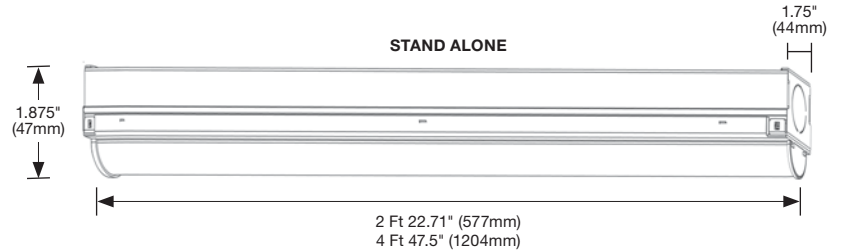


STRIPS

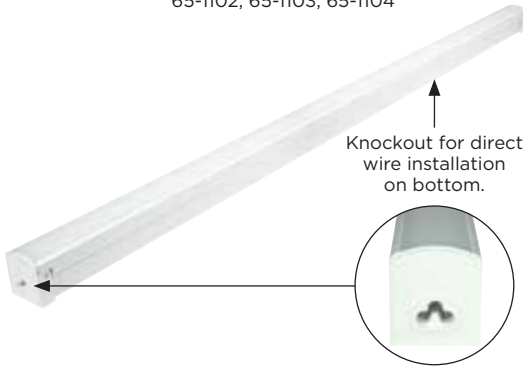
Stand-alone strips
65-1100, 65-1101



Knockouts for direct wire installation on ends and bottom.

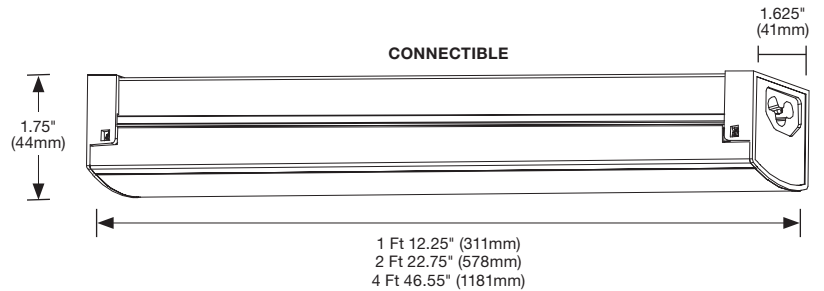


Connectible strips
65-1102, 65-1103, 65-1104



Knockout for direct wire installation on bottom.

Connection port
*Units include male/male flush joiner



Connectible Strip Accessories

Connectible Strip maximum number of units that can be connected:
65-1102 - 27 units
65-1103 - 14 units
65-1104 - 9 units



Item	Description	W	V	Lm	Pack
Stand-alone Strip					
65-1100	2 Ft.	12	100-277	900	12
65-1101	4 Ft.	24	100-277	1800	12
Connectible Strip					
65-1102*	1 Ft.	12	120	840	12
65-1103*	2 Ft.	24	120	1680	12
65-1104*	4 Ft.	36	120	2600	12
Connectible Strip Accessories					
65-1107	5 Foot power cord				1
65-1108	8 Inch male/male joiner				1
65-1112	16 Inch male/male joiner				1
65-1113	24 Inch male/male joiner				1

See warranty for details.

Product sheet NUI356

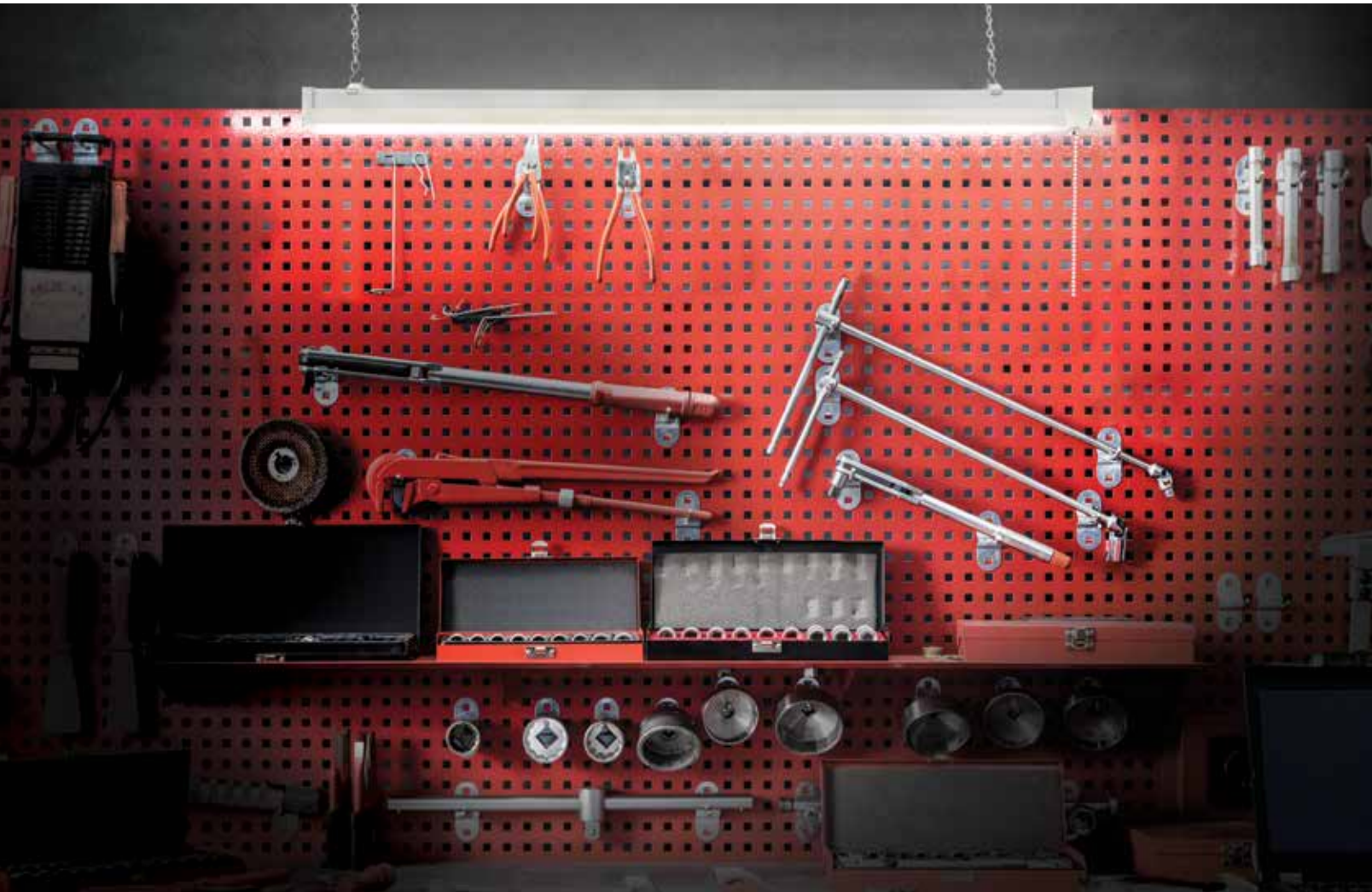
Specifications



Certifications



SHOP LIGHTS



Features:

Hanging or flush mount installation

5' Power cord

6" Hanging cables, mounting screws and drywall anchors included

Linkable up to 4 fixtures (62-928)

On/off pull chain

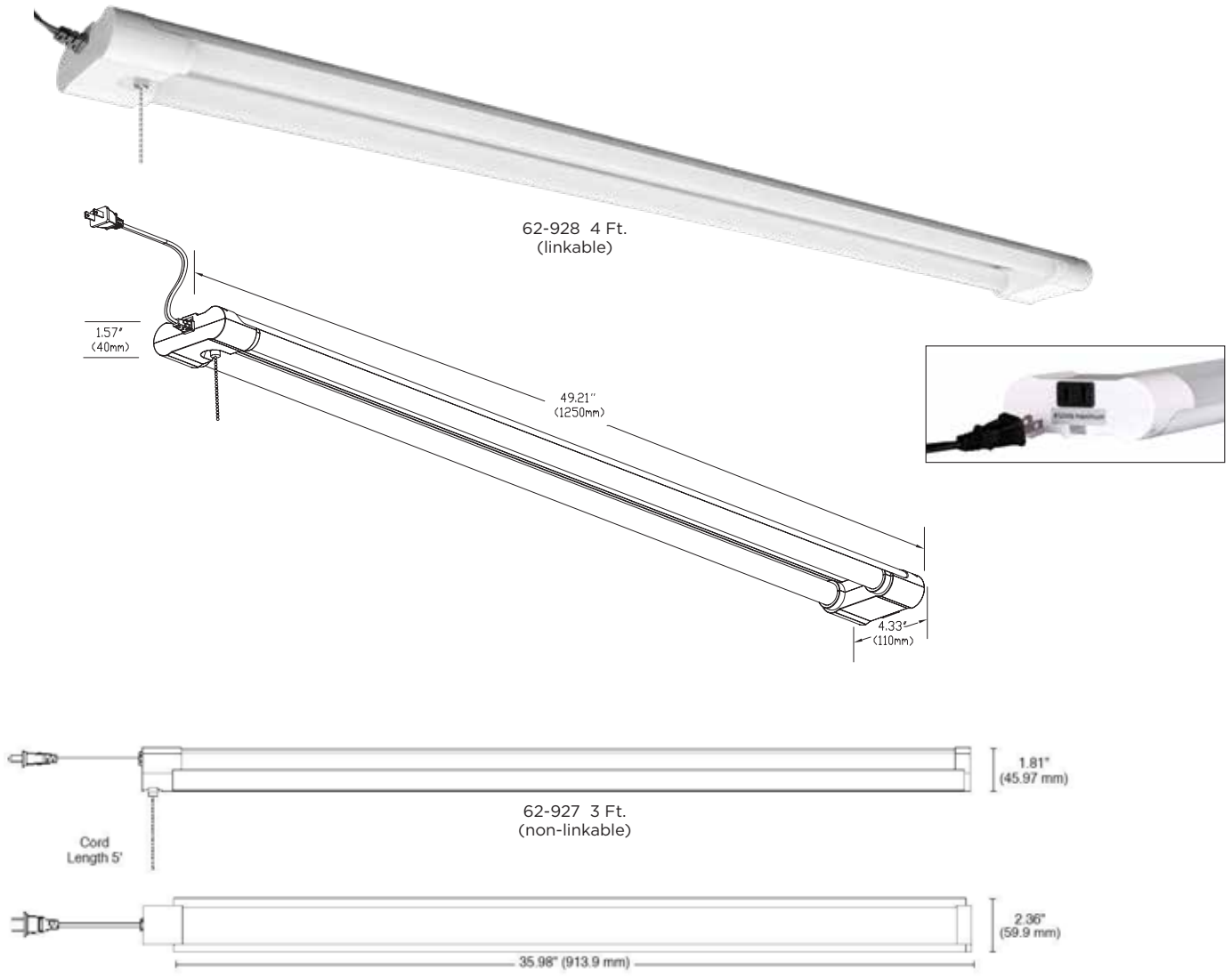
Easy installation

5 Year warranty



62-927 3 Ft.
(non-linkable)

SHOP LIGHTS



Item	Description	W	Lm	Pack
62-927*	3' Non-Linkable Shop Light - White	34	3000	8
62-928**	4' Linkable Shop Light - White	42	4200	8

See warranty for details.

Product sheet NU1515

Specifications

120 VOLT **80 CRI** **4000 K** **DAMP LOCATION**
50,000 HOURS

Certifications

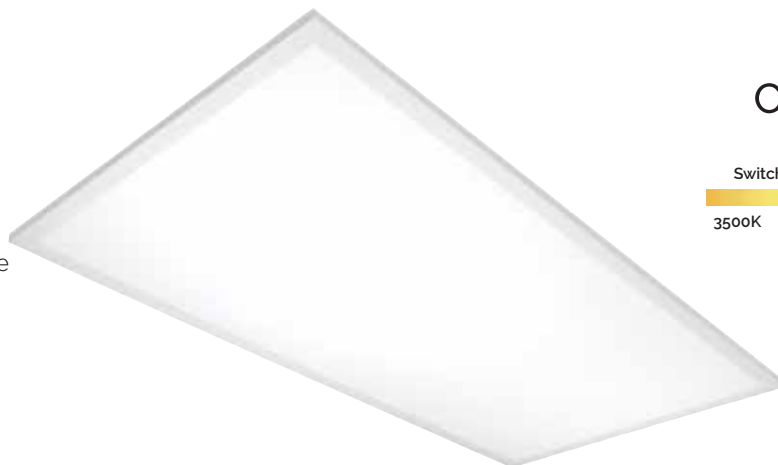
ETL **ETL** **ENERGY STAR** **FC**
RoHS COMPLIANT

BACK-LIT FLAT PANELS CCT SELECTABLE



Features:

- CCT Selectable - 3500K/4000K/5000K
- Operating temperature -17°C to 45°C (1°F to 113°F)
- Flicker-free driver
- Integrated EM options
- EM Mode - 90 Minute run time
- 8W/1000 Lms
- Recessed, surface mount and suspension kits available
- 5 year warranty



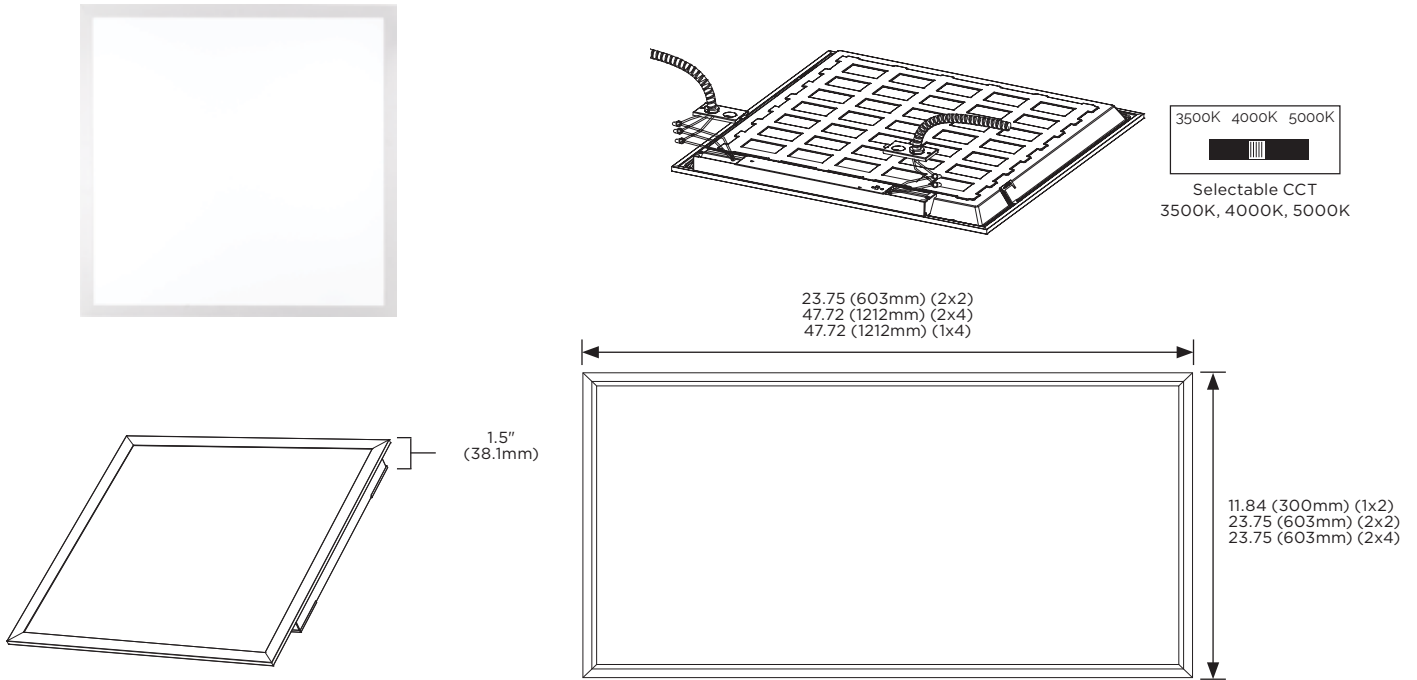
ColorQuick™

Selectable Color Technology

Switch to/from the following CCT



BACK-LIT FLAT PANELS CCT SELECTABLE



Item	Description	W	V	CCT Selectable	Lm	Pack
65-571	2x2	40	100-277V	3500K/4000K/5000K	4200-4400	1
65-572	2x4	50	100-277V	3500K/4000K/5000K	5250-5500	1
65-573	1x4	40	100-277V	3500K/4000K/5000K	4200-4400	1
65-581	2x2	40	100-347V	3500K/4000K/5000K	4200-4400	1
65-582	2x4	50	100-347V	3500K/4000K/5000K	5250-5500	1
65-583	1x4	40	100-347V	3500K/4000K/5000K	4200-4400	1
65-575	2x2 EM	40	100-277V	3500K/4000K/5000K	4200-4400	1
65-576	2x4 EM	50	100-277V	3500K/4000K/5000K	5250-5500	1
65-577	1x4 EM	40	100-277V	3500K/4000K/5000K	4200-4400	1
65-585	2x2 EM	40	100-347V	3500K/4000K/5000K	4200-4400	1
65-586	2x4 EM	50	100-347V	3500K/4000K/5000K	5250-5500	1
65-587	1x4 EM	40	100-347V	3500K/4000K/5000K	4200-4400	1

Accessories

65-591	2x2 Suspension kit					30/1
65-592	1x4 Suspension kit					30/1
65-593	2x4 Suspension kit					30/1
65-595	1x4 Frame kit EM	48" L x 12 1/16" W x 4 5/16" D				10/1
65-596	2x2 Frame kit EM	24 1/16" L x 24 9/16" W x 4 5/16" D				10/1
65-597	2x4 Frame kit EM	48" L x 24 9/16" W x 4 5/16" D				10/1
65-588	1x4 Flange kit	49 3/16" L x 13 1/4" W x 1 1/2" D				10/1
65-589	2x2 Flange kit	25 3/16" L x 25 3/16" W x 1 1/2" D				10/1
65-590	2x4 Flange kit	49 3/16" L x 25 3/16" W x 1 1/2" D				10/1
65-598	1x4 Slim flange kit	48 1/16" L x 12 1/16" W x 2 3/8" D				10/1
65-599	2x4 Slim flange kit	23 15/16" L x 48 1/16" W x 2 3/8" D				10/1
65-600	2x2 Slim flange kit	23 15/16" L x 24 1/16" W x 2 3/8" D				10/1

*Consult Satco or visit www.satco.com for an up to date dimmer compatibility list. See warranty for details.

Product sheet NU1607

Specifications



Certifications



TROFFERS - SINGLE AND DOUBLE BASKET WATTAGE & CCT SELECTABLE



Features:

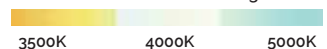
- CCT Selectable - 3500K/4000K/5000K
- Wattage Selectable
- Volumetric design
- Flicker-free driver
- Operating temperature -20°C to 40°C (-4°F to 104°F)
- Drop into T-bar grid
- 5 Year warranty



ColorQuick

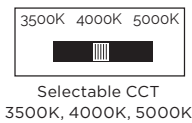
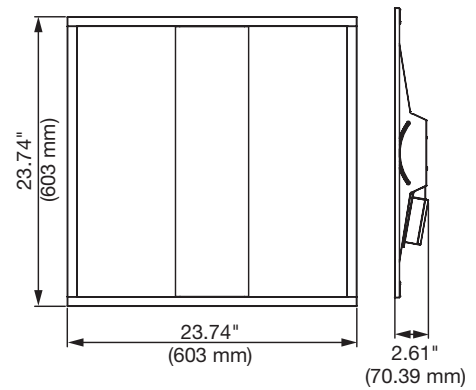
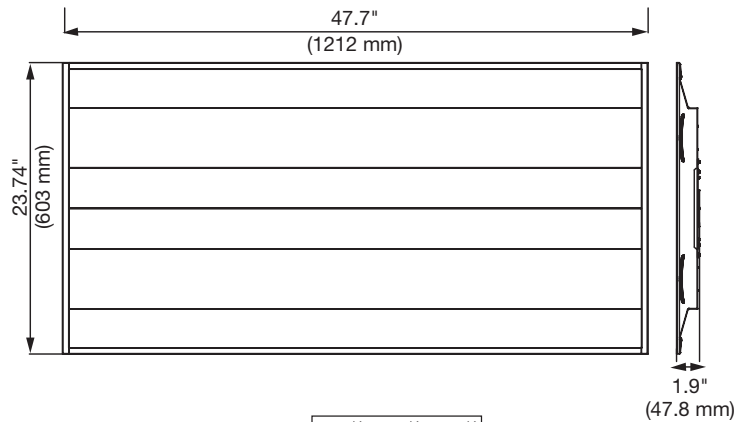
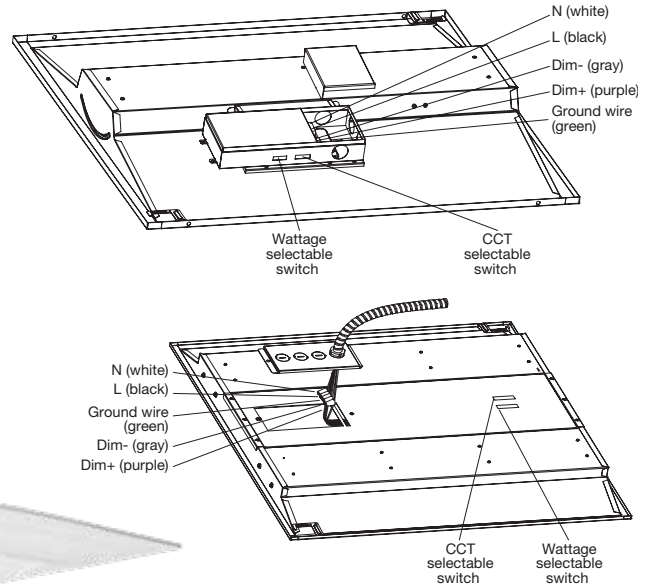
Selectable Color Technology

Switch to/from the following CCT



PowerQuick

TROFFERS - SINGLE AND DOUBLE BASKET WATTAGE & CCT SELECTABLE



Item	Description	W	CCT Selectable	Lm	Pack
65-690	2x2 Single basket	30/35/40	3500K/4000K/5000K	3300-4400	1
65-691	2x4 Single basket	30/40/50	3500K/4000K/5000K	3300-5500	1
65-694	2x2 Double basket	30/35/40	3500K/4000K/5000K	3300-4600	1
65-695	2x4 Double basket	30/40/50	3500K/4000K/5000K	3300-5750	1

*Consult Satco or visit www.satco.com for an up to date dimmer compatibility list. See warranty for details.

Product sheet NU1628

Specifications

-
-
- 80 CRI**
- 100-277V**
- 0-10V DIMMING**
- DAMP LOCATION**
- 50,000 HOURS**
- 2KV SURGE PROTECTION**

Certifications

-
-
-
-

TROFFERS - SINGLE BASKET

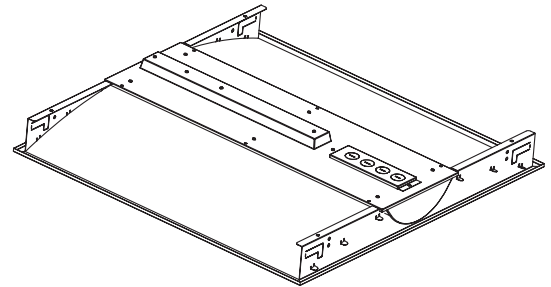
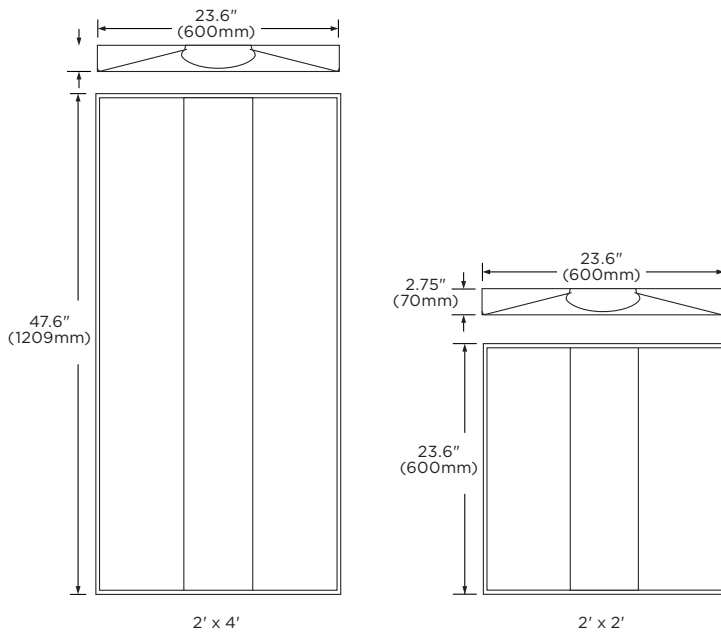


Features:

- Volumetric design
- Flicker-free driver
- Broad, even light distribution
- Operating temperature
-20°C to 40°C (-4°F to 104°F)
- Drop into T-bar grid
- 5 Year warranty



TROFFERS - SINGLE BASKET



Item	Description	W	CCT	Lm	Pack
65-421	2x2	30	3500K	3750	1
65-422	2x2	30	4000K	3750	1
65-423	2x2	30	5000K	3750	1
65-427	2x4	40	3500K	5000	1
65-428	2x4	40	4000K	5000	1
65-429	2x4	40	5000K	5000	1
65-430	2x4	50	3500K	6250	1
65-431	2x4	50	4000K	6250	1
65-432	2x4	50	5000K	6250	1

Specifications



Certifications



*Consult Satco or visit www.satco.com for an up to date dimmer compatibility list. See warranty for details.

Product sheet NU1518

TROFFERS - SINGLE BASKET EMERGENCY BATTERY BACKUP**

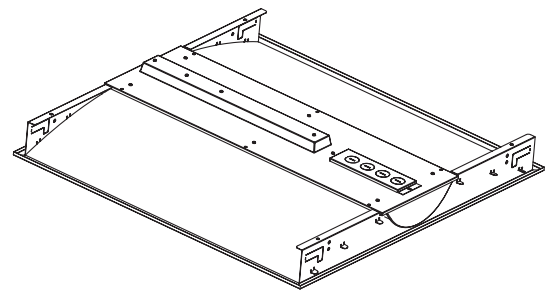
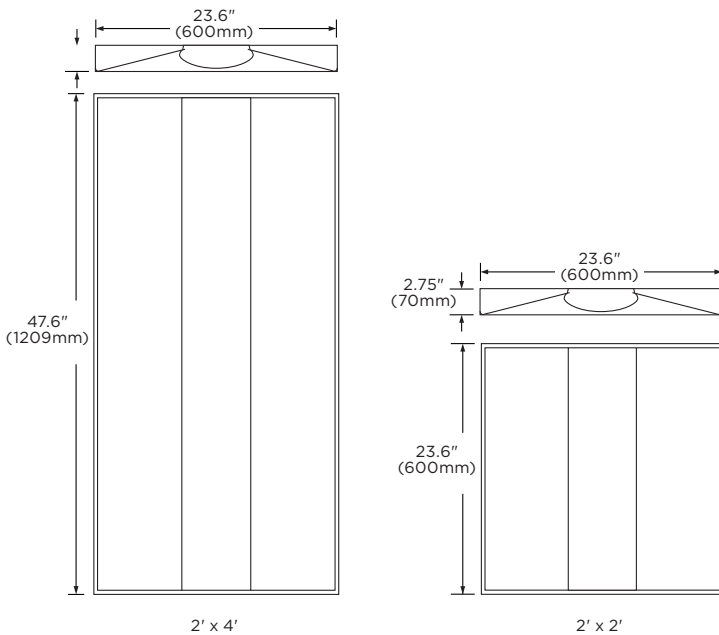


Features:

- Volumetric design
- Flicker-free driver
- Integrated test button and indicator light
- EM Mode - 90 Minute run time
- 8W/1000 Lms
- No additional wiring steps
- Operating temperature
-20°C to 40°C (-4°F to 104°F)
- Drop into T-bar grid
- 5 Year warranty



TROFFERS - SINGLE BASKET EMERGENCY BATTERY BACKUP**



**Battery Mode:
8W
1000 Lumens

Item	Description	W	CCT	Lm	Pack
65-445	2x2 EM	30	3500K	3750	1
65-446	2x2 EM	30	4000K	3750	1
65-447	2x2 EM	30	5000K	3750	1
65-451	2x4 EM	40	3500K	5000	1
65-452	2x4 EM	40	4000K	5000	1
65-453	2x4 EM	40	5000K	5000	1
65-454	2x4 EM	50	3500K	6250	1
65-455	2x4 EM	50	4000K	6250	1
65-456	2x4 EM	50	5000K	6250	1

Specifications



Certifications



*Consult Satco or visit www.satco.com for an up to date dimmer compatibility list. See warranty for details.

LED COLORQUICK® DOWNLIGHT RETROFITS

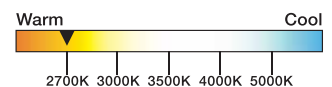


Features:

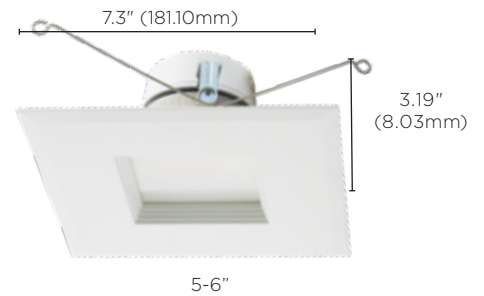
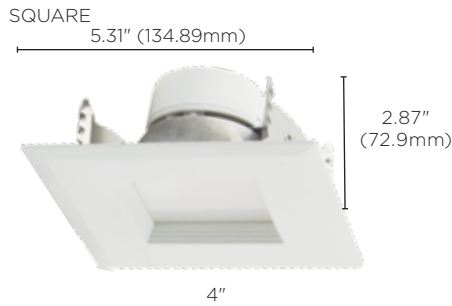
- 5 Selectable CCT settings
- SKU reducer - 35 products, only 7 SKU's
- 3 Styles: Round, Square & Gimbal
- 2 Sizes: for 4" and 5/6" standard recessed housing
- Wet location (baffles)
- Damp location (gimbals)
- ENERGY STAR® certified
- T20/T24 Compliant
- Long life—50,000 Hours
- 5 Year warranty



Color changeable -
5 color temperature
settings



LED COLORQUICK® DOWNLIGHT RETROFITS



E26 Adapter included (S9001)
GU10 Adapter sold separately (S9000)
GU24 Adapter sold separately (S8999)

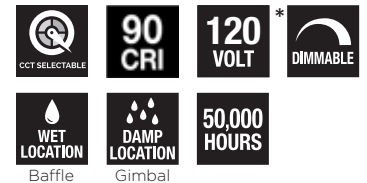


Item	Description	W	CCT Selectable	Lm	Pack
Round					
S11800	7WLED/RDL/4/ADJ-CCT/120V	7	27K/30K/35K/40K/50K	600	16/4
S11801	9WLED/RDL/5-6/ADJ-CCT/120V	9	27K/30K/35K/40K/50K	800	8
S11825	13.5WLED/RDL/5-6/CCT-SEL/120V	13.5	27K/30K/35K/40K/50K	1200	8
Square					
S11820	6.5WLED/RDL/SQ/4/CCT-SEL/120V	6.5	27K/30K/35K/40K/50K	600	24
S11821	11.5WLED/RDL/SQ/5-6/CCT-SEL	11.5	27K/30K/35K/40K/50K	1000	12
Gimbal					
S11822	7.5WLED/DIR/4/60'/CCT-SEL	7.5	27K/30K/35K/40K/50K	600	8
S11824	10.5WLED/DIR/5-6/90'/CCT-SEL	10.5	27K/30K/35K/40K/50K	800	8

*Consult Satco or visit www.satco.com for an up to date dimmer compatibility list.
See warranty for details.

Product sheet SA2740

Specifications



Certifications



5"/6" LED RECESSED DOWNLIGHT RETROFITS



Features:

- Direct replacement for reflector lamps
- High efficiency/environmentally friendly
- Dimmable*
- Wet location
- c-UL-us Classified
- Long life—35,000 hours
- ENERGY STAR® certified
- 3 Year warranty



5"/6" LED RECESSED DOWNLIGHT RETROFIT



E26 Adapter included

This retrofit is for use with recessed housings with an E26 socket only.



Item	Description	CCT	Pack
S29312	9.8WLED/RDL/5-6/27K/120V	2700K	12
S29313	9.8WLED/RDL/5-6/30K/120V	3000K	12
S29314	9.8WLED/RDL/5-6/40K/120V	4000K	12
S29315	9.8WLED/RDL/5-6/50K/120V	5000K	12

*Consult Satco or visit www.satco.com for an up to date dimmer compatibility list. See warranty for details.

Product sheet SA2013

Specifications

9.8 WATTS	650 LUMENS	90 CRI	120 VOLT
DIMMABLE	WET LOCATION	35,000 HOURS	

Certifications



QUICK TRIM™ 4", 5"/6" LED RECESSED DOWNLIGHT RETROFIT 2-PACKS



Features:

- Direct replacement for reflector lamps
- Dimmable*
- Damp location listed
- Long life - 25,000 hours
- ENERGY STAR® certified
- 3 Year warranty



QUICK TRIM™ 4", 5"/6" LED RECESSED DOWNLIGHT RETROFIT 2-PACKS



Extends to reach the socket.
Retracts to meet the surface.



Screw lamp into existing socket.



Push into the fixture until the trim is flush against surface.



Item	Description	W	Lm	Pack
S9598	8.5W/LED/4"TRIM/2700K/120V/2PK	8.5	510	12 - 2 pks
S9599	12W/LED/5-6"TRIM/2700K/120V/2P	12	800	12 - 2 pks

*Consult Satco or visit www.satco.com for an up to date dimmer compatibility list. See warranty for details.

Product sheet SA1965

Specifications



Certifications



LED READY RECESSED CAN ASSEMBLIES



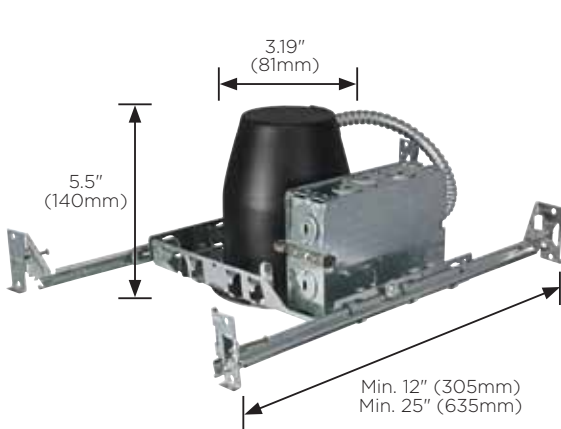
Features:

- Air tight rated
- Suitable for damp or wet locations
- IC Rated

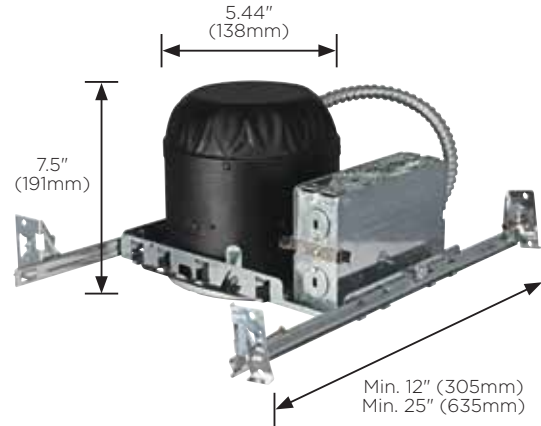


Quick-connect plugs make installation even easier.

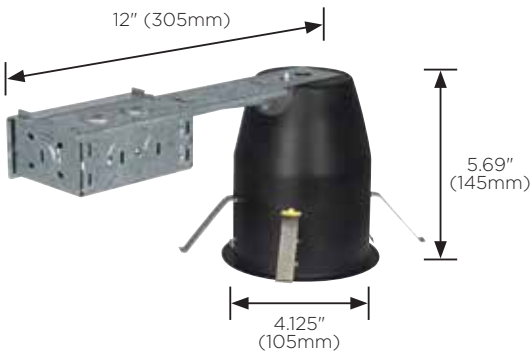
LED READY RECESSED CAN ASSEMBLIES



S9538 4" Can - New Construction
 For 120V, 60Hz, 18W max.
 Suitable for wet and damp locations*
 For use only with UL or cUL classified LED
 or equivalent
 IC Rated



S9540 5/6" Can - New Construction
 For 120V, 60Hz, 24W max.
 Suitable for wet and damp locations*
 For use only with UL or cUL classified LED
 or equivalent
 IC Rated



S9539 4" Can - Remodel
 For 120V, 60Hz, 18W max.
 Suitable for wet and damp locations*
 For use only with UL or cUL classified LED
 or equivalent
 IC Rated



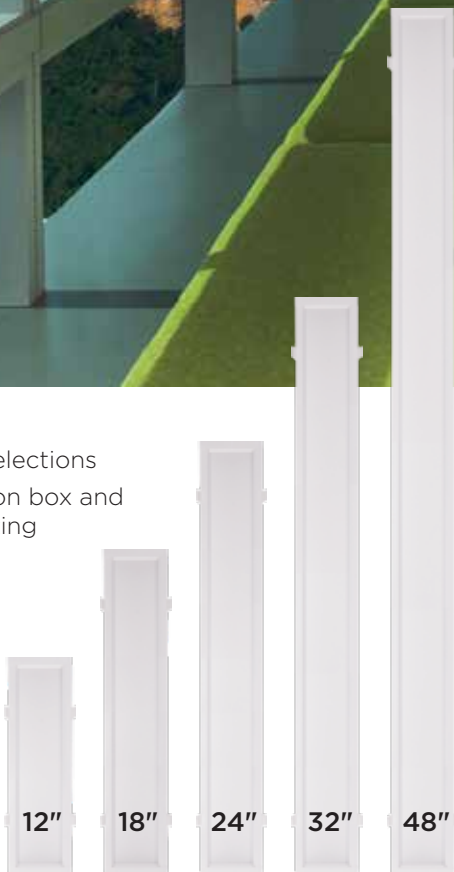
S9541 5/6" Can - Remodel
 For 120V, 60Hz, 24W max.
 Suitable for wet and damp locations*
 For use only with UL or cUL classified LED
 or equivalent
 IC Rated

CCT SELECTABLE DIRECT WIRE, BACK-LIT, LINEAR RECESSED



Features:

- 5 Sizes - 3 CCT selections
- Direct wire junction box and spring-clip mounting
- Damp location
- Air tight
- 40,000 Hours



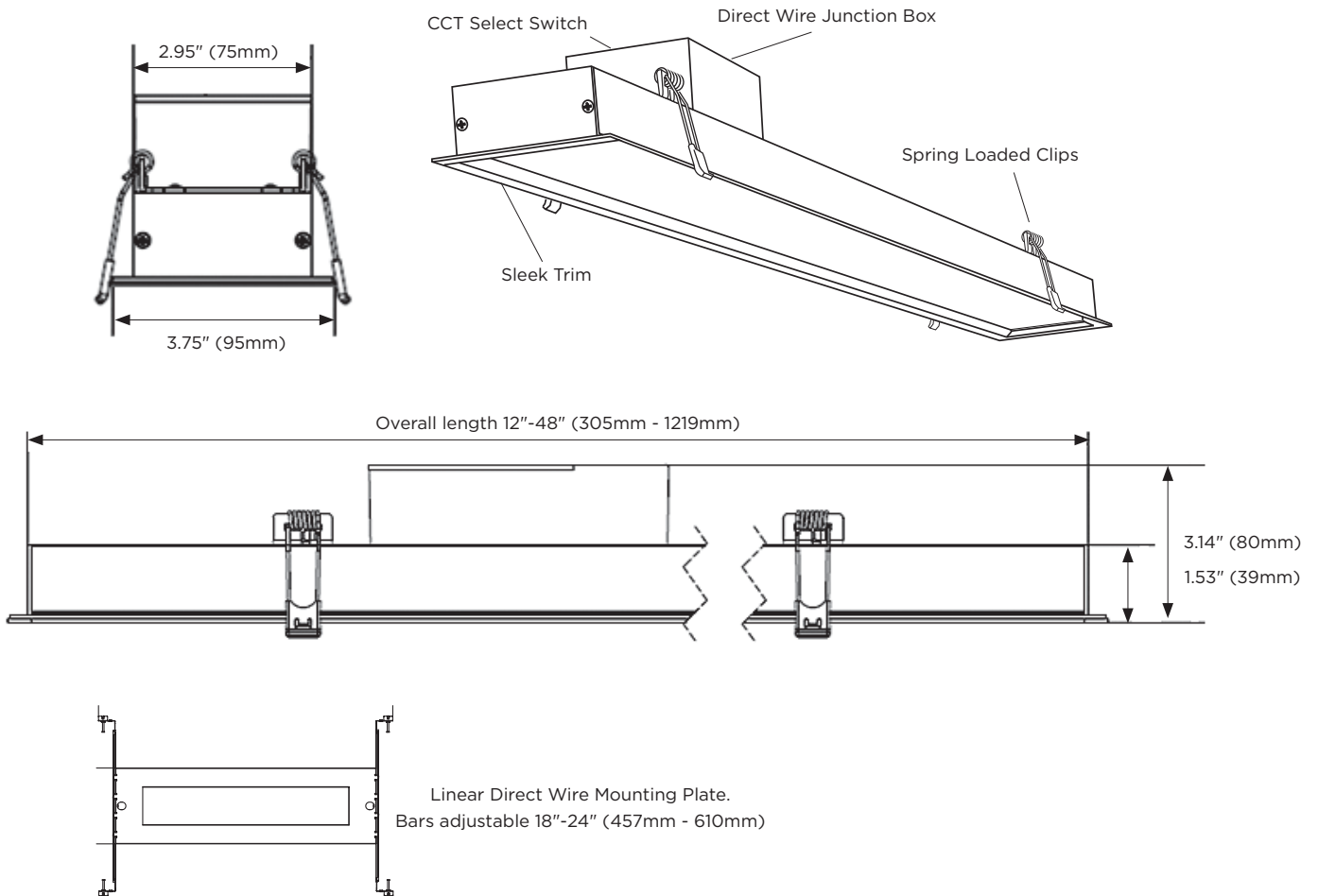
ColorQuick™

Selectable Color Technology

Switch to/from the following CCT



CCT SELECTABLE DIRECT WIRE, BACK-LIT, LINEAR RECESSED



Item	Description	W	CCT Selectable	Lm	Pack
LED Linear Recessed					
S11720	10WLED/DW/LINEAR/ 12"/ADJ-CCT	10	3000K/4000K/5000K	750	12
S11721	15WLED/DW/LINEAR/ 18"/ADJ-CCT	15	3000K/4000K/5000K	1125	12
S11722	20WLED/DW/LINEAR/ 24"/ADJ-CCT	20	3000K/4000K/5000K	1500	12
S11723	25WLED/DW/LINEAR/ 32"/ADJ-CCT	25	3000K/4000K/5000K	1875	12
S11724	40WLED/DW/LINEAR/ 48"/ADJ-CCT	40	3000K/4000K/5000K	3000	12
LED Linear Recessed Mounting Plate for New Construction					
80-962	Rough-in plate / bars 12" linear				6/1
80-963	Rough-in plate / bars 18" linear				6/1
80-964	Rough-in plate / bars 24" linear				6/1
80-965	Rough-in plate / bars 32" linear				6/1
80-966	Rough-in plate / bars 48" linear				6/1

*Consult Satco or visit www.satco.com for an up to date dimmer compatibility list. See warranty for details.

Product sheet SA2615

Specifications



Certifications



4" DIRECT WIRE EDGE-LIT DOWNLIGHTS



Features:

- No recessed can required
- Direct replacement for 45 Watt reflector
- Slim design, low profile
- Integrated j-box for direct wire installation saves time and materials
- Damp location
- Dimmable*
- Easy install spring clips
- IC rated
- 5 Year warranty



4" DIRECT WIRE EDGE-LIT DOWNLIGHTS



Top view



Item	Description	CCT	Lm	Pack
S39061	8.5WLED/DW/EL/4/27K/120V	2700K	500	12
S39062	8.5WLED/DW/EL/4/30K/120V	3000K	500	12
S39063	8.5WLED/DW/EL/4/40K/120V	4000K	540	12
S39059	8.5WLED/DW/EL/4/50K/120V	5000K	540	12
Accessories				
80-946	Goof ring 4" - direct wire DL - 6" outside diameter			12
80-950	Rough-in plate/4" direct wire			24

Specifications

8.5 WATTS

90 CRI

120 VOLT

DIMMABLE

DAMP LOCATION

40,000 HOURS

Certifications




Efficiency Standards
T24
California Title 24
Residential and
Non-Residential
Compliant

*Consult Satco or visit www.satco.com for an up to date dimmer compatibility list. See warranty for details.

Product sheet SA2591

6" DIRECT WIRE EDGE-LIT DOWNLIGHTS



Features:

- No recessed can required
- Direct replacement for 65 Watt reflector
- Slim design, low profile
- Integrated j-box for direct wire installation saves time and materials
- Damp location
- Dimmable*
- Easy install spring clips
- IC rated
- 5 Year warranty



6" DIRECT WIRE EDGE-LIT DOWNLIGHTS



Top view



Item	Description	CCT	Lm	Pack
S39055	11.6WLED/DW/EL/5-6/27K/120V	2700K	730	12
S39056	11.6WLED/DW/EL/5-6/30K/120V	3000K	730	12
S39057	11.6WLED/DW/EL/5-6/40K/120V	4000K	780	12
S39058	11.6WLED/DW/EL/5-6/50K/120V	5000K	780	12
Accessories				
80-947	Goof ring 6" - direct wire DL - 8" outside diameter			12
80-951	Rough-in plate/6" direct wire			24

Specifications

11.6 WATTS

90 CRI

120 VOLT

DIMMABLE

DAMP LOCATION

40,000 HOURS

Certifications




Efficiency Standards
T24
California Title 24
Residential and
Non-Residential
Compliant

*Consult Satco or visit www.satco.com for an up to date dimmer compatibility list. See warranty for details.

Product sheet SA2592

8" DIRECT WIRE EDGE-LIT DOWNLIGHTS

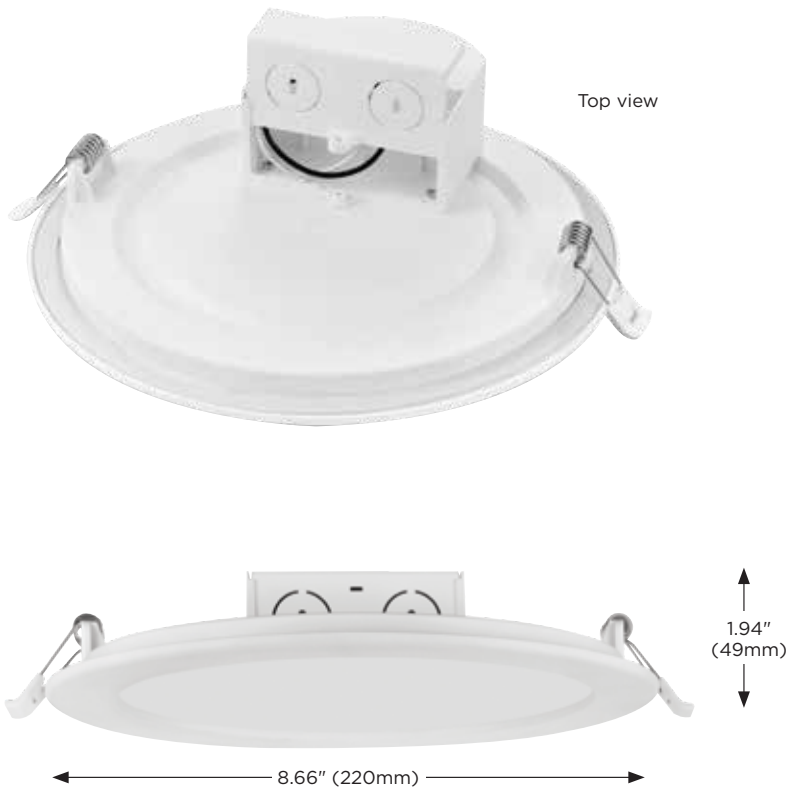


Features:

- No recessed can required
- Direct replacement for 85 Watt reflector
- Slim design, low profile
- Integrated j-box for direct wire installation saves time and materials
- Damp location
- Dimmable*
- Easy install spring clips
- IC rated
- 5 Year warranty



8" DIRECT WIRE EDGE-LIT DOWNLIGHTS



Item	Description	CCT	Lm	Pack
S11716	18WLED/DW/EL/8/27K/120V	2700K	1300	12
S11717	18WLED/DW/EL/8/30K/120V	3000K	1300	12
S11718	18WLED/DW/EL/8/40K/120V	4000K	1300	12
S11719	18WLED/DW/EL/8/50K/120V	5000K	1300	12
Accessories				
80-948	Goof ring 8" - direct wire DL - 10.125" outside diameter			12
80-953	Rough-in plate/8" direct wire			24

*Consult Satco or visit www.satco.com for an up to date dimmer compatibility list. See warranty for details.

Product sheet SA2606

Specifications

18 WATTS 90 CRI 120 VOLT DIMMABLE

DAMP LOCATION 40,000 HOURS

Certifications

ETL US ENERGY STAR Efficiency Standards T20 California Title 20 Certified LED Tier 2 Lamp

Efficiency Standards T24 California Title 24 Residential and Non-Residential Compliant

4" DIRECT WIRE DOWNLIGHTS



Features:

- No recessed can required
- Direct replacement for 45 Watt reflector
- Low profile
- Integrated j-box for direct wire installation saves time and materials
- Damp location
- Dimmable*
- Easy install spring clips
- IC rated
- 5 Year warranty



4" DIRECT WIRE DOWNLIGHTS



Top view



Item	Description	CCT	Lm	Pack
S39011	7WLED/DW/RDL/4/27K/120V	2700K	450	12
S39012	7WLED/DW/RDL/4/30K/120V	3000K	450	12
S39013	7WLED/DW/RDL/4/40K/120V	4000K	490	12
S39021	7WLED/DW/RDL/4/50K/120V	5000K	490	12
Accessories				
80-946	Goof ring 4" - direct wire DL - 6" outside diameter			12
80-950	Rough-in plate/4" direct wire			24

Specifications

7 WATTS

90 CRI

120 VOLT

40,000 HOURS

WET LOCATION

DIMMABLE

Certifications

Efficiency Standards
T24 California Title 24
 Residential and
 Non-Residential
 Compliant

*Consult Satco or visit www.satco.com for an up to date dimmer compatibility list. See warranty for details.

Product sheet SA2593

6" DIRECT WIRE DOWNLIGHTS



Features:

- No recessed can required
- Direct replacement for 65 Watt reflector
- Low profile
- Integrated j-box for direct wire installation saves time and materials
- Damp location
- Dimmable*
- Easy install spring clips
- IC rated
- 5 Year warranty



6" DIRECT WIRE DOWNLIGHTS



Top view



Item	Description	CCT	Lm	Pack
S39026	9WLED/DW/RDL/5-6/27K/120V	2700K	620	12
S39027	9WLED/DW/RDL/5-6/30K/120V	3000K	620	12
S39028	9WLED/DW/RDL/5-6/40K/120V	4000K	700	12
S39029	9WLED/DW/RDL/5-6/50K/120V	5000K	700	12
Accessories				
80-947	Goof ring 6" - direct wire DL - 8" outside diameter			12
80-951	Rough-in plate/6" direct wire			24

Specifications

9 WATTS

90 CRI

120 VOLT

DIMMABLE

WET LOCATION

40,000 HOURS

Certifications

Efficiency Standards
T24
California Title 24
Residential and
Non-Residential
Compliant

*Consult Satco or visit www.satco.com for an up to date dimmer compatibility list. See warranty for details.

Product sheet SA2594

4" DIRECT WIRE, GIMBAL DOWNLIGHTS



Features:

- No recessed can required
- Direct replacement for 45 Watt reflector
- Low profile
- Integrated j-box for direct wire installation saves time and materials
- Damp location
- Dimmable*
- Easy install spring clips
- IC rated
- 5 Year warranty



4" DIRECT WIRE, GIMBAL DOWNLIGHTS



Item	Description	CCT	Lm	Pack
S11708**	7WLED/DW/GBL/4/27K/120V	2700K	490	12
S11709**	7WLED/DW/GBL/4/30K/120V	3000K	490	12
S11710**	7WLED/DW/GBL/4/40K/120V	4000K	490	12
S11711	7WLED/DW/GBL/4/50K/120V	5000K	490	12
Accessories				
80-946	Goof ring 4" - direct wire DL - 6" outside diameter			12
80-950	Rough-in plate/4" direct wire			24

*Consult Satco or visit www.satco.com for an up to date dimmer compatibility list. See warranty for details.

Product sheet SA2591

Specifications

7 WATTS 90 CRI 120 VOLT DIMMABLE

DAMP LOCATION 40,000 HOURS

Certifications

ETL US ENERGY STAR Efficiency Standards T20 California Title 20 Certified LED Tier 2 Lamp

** Efficiency Standards T24 California Title 24 Residential and Non-Residential Compliant

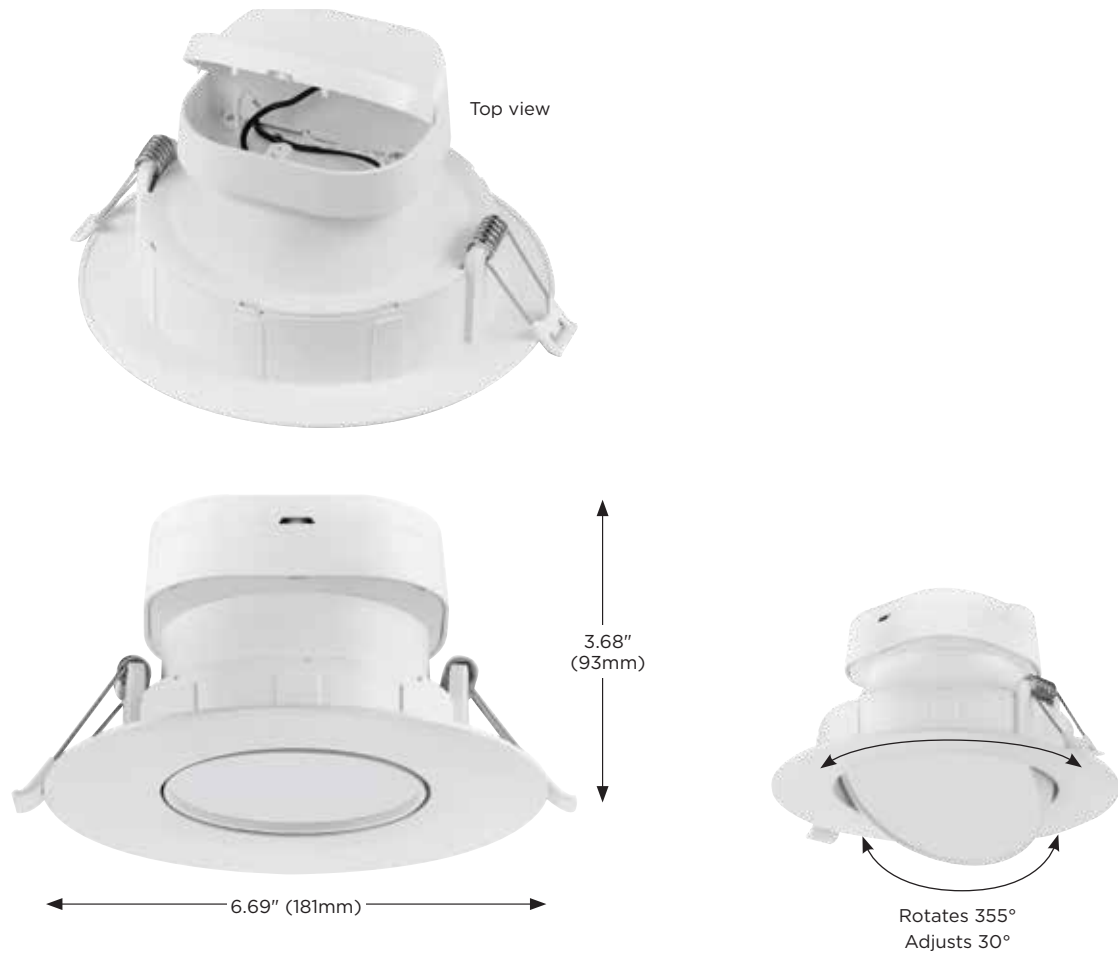
6" DIRECT WIRE GIMBAL DOWNLIGHTS



Features:

- No recessed can required
- Direct replacement for 65 Watt reflector
- Low profile
- Integrated j-box for direct wire installation saves time and materials
- Damp location
- Dimmable*
- Easy install spring clips
- IC rated
- 5 Year warranty

6" DIRECT WIRE GIMBAL DOWNLIGHTS



Item	Description	CCT	Lm	Pack
S11712**	9WLED/DW/GBL/6/27K/120V	2700K	720	12
S11713**	9WLED/DW/GBL/6/30K/120V	3000K	720	12
S11714**	9WLED/DW/GBL/6/40K/120V	4000K	720	12
S11715*	9WLED/DW/GBL/6/50K/120V	5000K	720	12
Accessories				
80-947	Goof ring 6" - direct wire DL - 8" outside diameter			12
80-951	Rough-in plate/6" direct wire			24

*Consult Satco or visit www.satco.com for an up to date dimmer compatibility list. See warranty for details.

Product sheet SA2592

Specifications

9 WATTS **90 CRI** **120 VOLT** **DIMMABLE**
DAMP LOCATION **40,000 HOURS**

Certifications

**** Efficiency Standards T24 California Title 24 Residential and Non-Residential Compliant**

4" DIRECT WIRE BACK-LIT SQUARE DOWNLIGHTS

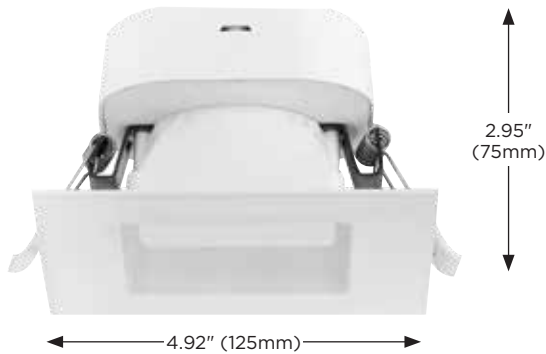


Features:

- No recessed can required
- Direct replacement for 45 Watt reflector
- Low profile
- Integrated j-box for direct wire installation saves time and materials
- Damp location
- Dimmable*
- Easy install spring clips
- IC rated
- 5 Year warranty



4" DIRECT WIRE BACK-LIT SQUARE DOWNLIGHTS



Item	Description	CCT	Lm	Pack
S11700**	7WLED/DW/SQ/4/27K/120V	2700K	490	12
S11701**	7WLED/DW/SQ/4/30K/120V	3000K	490	12
S11702**	7WLED/DW/SQ/4/40K/120V	4000K	490	12
S11703	7WLED/DW/SQ/4/50K/120V	5000K	490	12
Accessories				
80-950	Rough-in plate/4" direct wire			24

*Consult Satco or visit www.satco.com for an up to date dimmer compatibility list. See warranty for details.

Product sheet SA2604

Specifications

7 WATTS	90 CRI	120 VOLT	DIMMABLE
WET LOCATION	40,000 HOURS		

Certifications

ETL	ENERGY STAR	Efficiency Standards
		T20 California Title 20 Certified LED Tier 2 Lamp
** Efficiency Standards		
T24 California Title 24 Residential and Non-Residential Compliant		

**

6" DIRECT WIRE BACK-LIT SQUARE DOWNLIGHTS

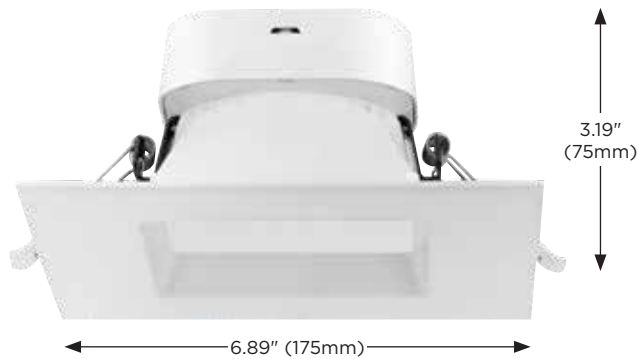


Features:

- No recessed can required
- Direct replacement for 65 Watt reflector
- Low profile
- Integrated j-box for direct wire installation saves time and materials
- Damp location
- Dimmable*
- Easy install spring clips
- CEC/T20/T24 Compliant**
- IC rated
- 5 Year warranty



6" DIRECT WIRE BACK-LIT SQUARE DOWNLIGHTS

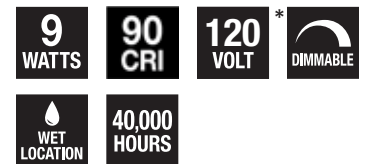


Item	Description	CCT	Lm	Pack
S11704**	9WLED/DW/SQ/6/27K/120V	2700K	720	12
S11705**	9WLED/DW/SQ/6/30K/120V	3000K	720	12
S11706**	9WLED/DW/SQ/6/40K/120V	4000K	720	12
S11707	9WLED/DW/SQ/6/50K/120V	5000K	720	12
Accessories				
80-951	Rough-in plate/6" direct wire			24

*Consult Satco or visit www.satco.com for an up to date dimmer compatibility list. See warranty for details.

Product sheet SA2605

Specifications



Certifications



**
Efficiency Standards
T24
 California Title 24
 Residential and
 Non-Residential
 Compliant

ROUND LOW PROFILE LED REMOTE DRIVER DOWNLIGHTS

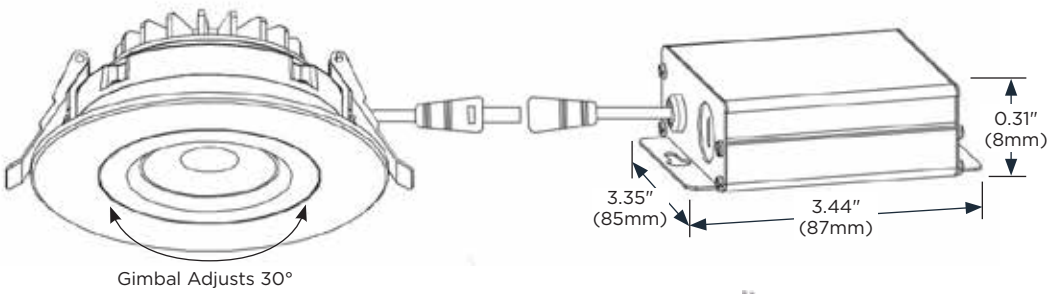


Features:

- No recessed can required
- Integrated j-box for direct wire installation saves time and materials
- Remote Driver, Optional Extension Cable & Rough In Plates
- Wet location
- Easy install spring clips
- IC rated
- Air Tight
- 5 Year warranty



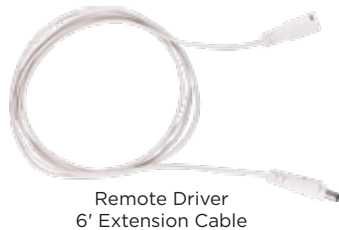
ROUND LOW PROFILE LED REMOTE DRIVER DOWNLIGHTS



Gimbal Adjusts 30°



Goof Ring



Remote Driver
6' Extension Cable



Optional rough-in plate
(shown with bars)
Bars included,
usage optional.

Item	Description	Lm	Pack
4 1/2" Round Gimbal			
S11618	12WLED/DW/GBL/4/930/RND/RD/WHITE	850	12
S11619	12WLED/DW/GBL/4/930/RND/RD/BLACK	850	12
S11620	12WLED/DW/GBL/4/930/RND/RD/BRUSHEDNICKEL	850	12
3 1/2" Round Gimbal			
S11624	12WLED/DW/GBL/3/930/RND/RD/WHITE	840	12
S11625	12WLED/DW/GBL/3/930/RND/RD/BLACK	840	12
S11626	12WLED/DW/GBL/3/930/RND/RD/BRUSHEDNICKEL	840	12
3 1/2" Round Downlight			
S11630	12WLED/DW/DNL3/930/RND/RD/WHITE	840	12
S11631	12WLED/DW/DNL3/930/RND/RD/BLACK	840	12
S11632	12WLED/DW/DNL3/930/RND/RD/BRUSHEDNICKEL	840	12
Accessories			
80-942	Rough-in plate / bars 3.5" Rd		12
80-943	Rough-in plate / bars 4" rd		12
80-944	Rough-in plate / bars 6" rd		12
80-945	Rough-in plate / bars 8" rd		12
80-946	Goof ring 4" - direct wire dl - 6" outside diameter		12
80-947	Goof ring 6" - direct wire dl - 8" outside diameter		12
80-948	Goof ring 8" - direct wire dl - 10 1/8" outside diameter		12
80-949	Remote driver 6' extension cable		12

Specifications

12 WATTS	90 CRI	120 VOLT	3000 K
DIMMABLE	WET LOCATION	50,000 HOURS	

Certifications

ETL US	ENERGY STAR	Efficiency Standards T24 California Title 24 Residential and Non-Residential Compliant
------------------	--------------------	---

*Consult Satco or visit www.satco.com for an up to date dimmer compatibility list. See warranty for details.

SQUARE LOW PROFILE LED REMOTE DRIVER DOWNLIGHTS

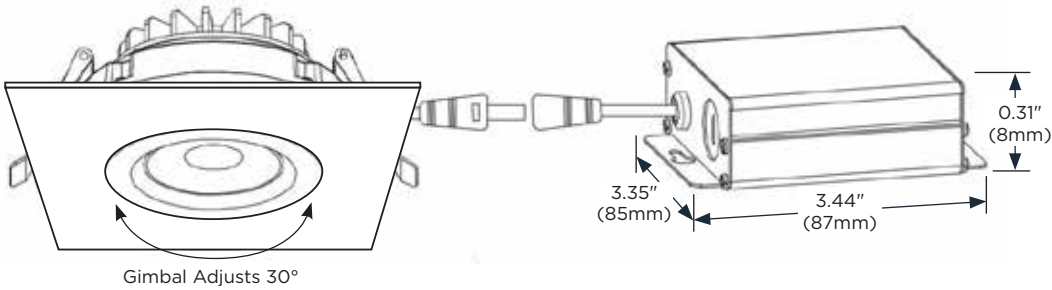
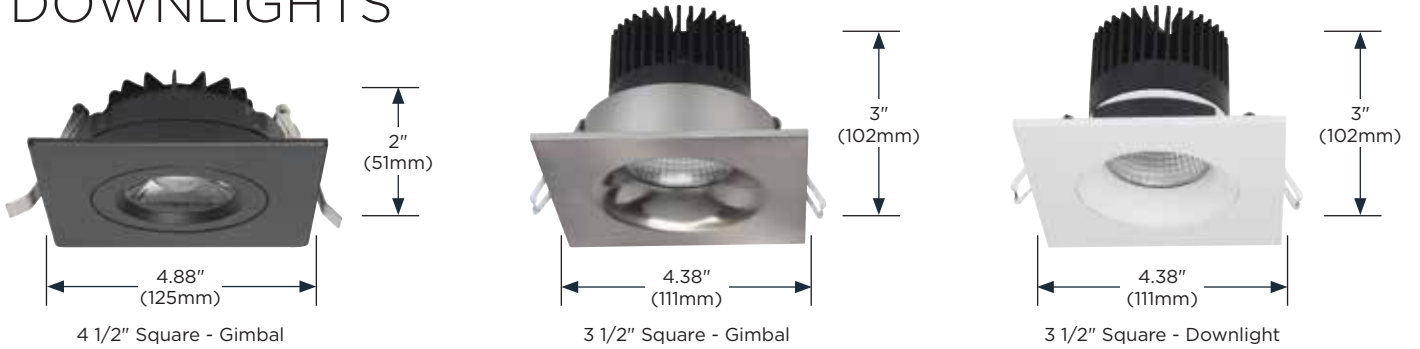


Features:

- No recessed can required
- Integrated j-box for direct wire installation saves time and materials
- Remote Driver, Optional Extension Cable & Rough In Plates
- Wet location
- Easy install spring clips
- IC rated
- Air Tight
- 5 Year warranty



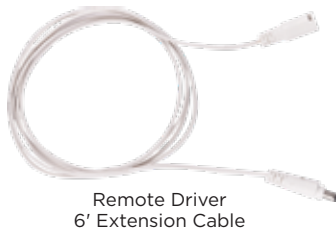
SQUARE LOW PROFILE LED REMOTE DRIVER DOWNLIGHTS



Gimbal Adjusts 30°



Goof Ring



Remote Driver
6' Extension Cable



Optional rough-in plate
(shown with bars)
Bars included,
usage optional.

Item	Description	Lm	Pack
4 1/2" Square Gimbal			
S11621	12WLED/DW/GBL/4/930/SQ/RD/WHITE	850	12
S11622	12WLED/DW/GBL/4/930/SQ/RD/BLACK	850	12
S11623	12WLED/DW/GBL/4/930/SQ/RD/BRUSHEDNICKEL	850	12
3 1/2" Square Gimbal			
S11627	12WLED/DW/GBL/3/930/SQ/RD/WHITE	840	12
S11628	12WLED/DW/GBL/3/930/SQ/RD/BLACK	840	12
S11629	12WLED/DW/GBL/3/930/SQ/RD/BRUSHEDNICKEL	840	12
3 1/2" Square Downlight			
S11633	12WLED/DW/DNL3/930/SQ/RD/WHITE	840	12
S11634	12WLED/DW/DNL3/930/SQ/RD/BLACK	840	12
S11635	12WLED/DW/DNL3/930/SQ/RD/BRUSHEDNICKEL	840	12
Accessories			
80-942	Rough-in plate / bars 3.5" Rd		12
80-943	Rough-in plate / bars 4" rd		12
80-944	Rough-in plate / bars 6" rd		12
80-945	Rough-in plate / bars 8" rd		12
80-949	Remote driver 6' extension cable		12

Specifications



Certifications



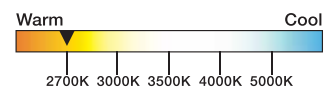
*Consult Satco or visit www.satco.com for an up to date dimmer compatibility list. See warranty for details.

LED CCT SELECTABLE EDGE-LIT REMOTE DRIVER DOWNLIGHTS

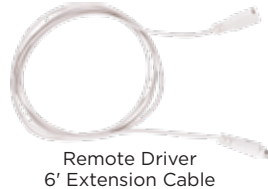
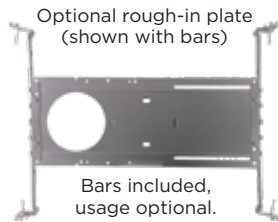
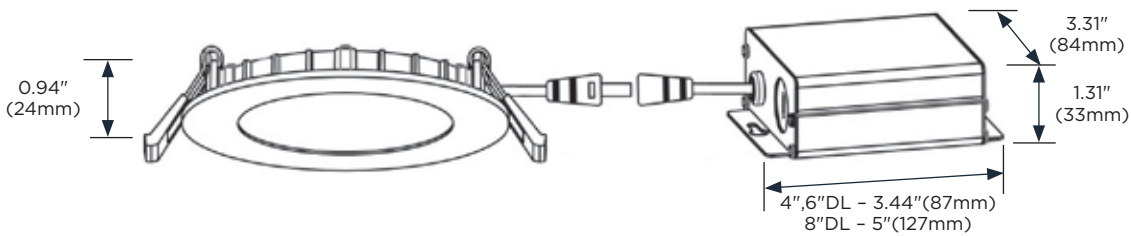
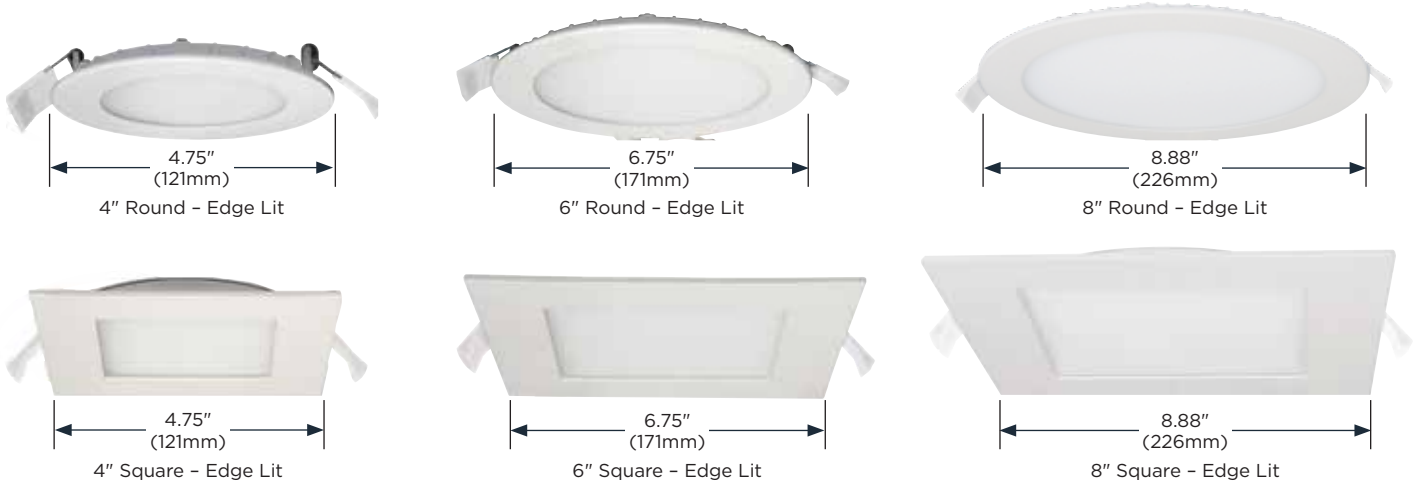


Features:

- 5 CCT Settings - 27K/30K/35K/40K/50K
- <1" Ceiling space required
- No recessed can required
- Remote Driver, Optional Extension Cable & Rough In Plates
- Wet location
- Easy install spring clips
- IC rated
- Air Tight
- 5 Year warranty

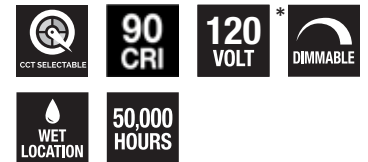


LED CCT SELECTABLE EDGE-LIT REMOTE DRIVER DOWNLIGHTS



Item	Description	W	CCT	Lm	Pack
Round					
S11826	10WLED/DW/EL/4/CCT/RND	10	27K/30K/35K/40K/50K	650	12
S11827	12WLED/DW/EL/6/CCT/RND	12	27K/30K/35K/40K/50K	900	12
S11828	24WLED/DW/EL/8/CCT/RND	24	27K/30K/35K/40K/50K	1850	12
Square					
S11829	10WLED/DW/EL/4/CCT/SQ	10	27K/30K/35K/40K/50K	600	12
S11830	12WLED/DW/EL/6/CCT/SQ	12	27K/30K/35K/40K/50K	700	12
S11831	24WLED/DW/EL/8/CCT/SQ	24	27K/30K/35K/40K/50K	1650	12
Accessories					
80-943	Rough-in plate / bars 4" rd				12
80-944	Rough-in plate / bars 6" rd				12
80-945	Rough-in plate / bars 8" rd				12
80-946	Goof ring 4" - 6" outside diameter				12
80-947	Goof ring 6" - 8" outside diameter				12
80-948	Goof ring 8" - 10.88" outside diameter				12
80-949	Remote driver 6' extension cable				12
86-216	Remote driver temporary light				12

Specifications



Certifications



*Consult Satco or visit www.satco.com for an up to date dimmer compatibility list. See warranty for details.

WATTAGE AND CCT SELECTABLE REMOTE DRIVER COMMERCIAL DOWNLIGHTS



White reflector
80° beam angle



Silver reflector
40° beam angle

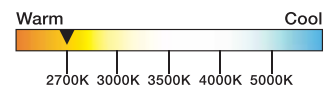
Features:

- Selectable Wattage and CCT
- Remote driver and J box with knockouts
- Quick connect feature for easy installation
- 120-277 range voltage circuit
- 0-10V dimming
- Damp location
- 5 Year warranty



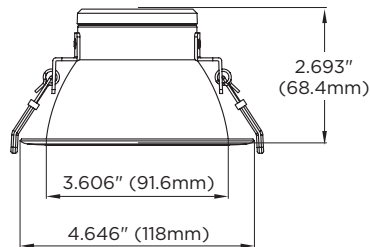
ColorQuick

Selectable Color Technology

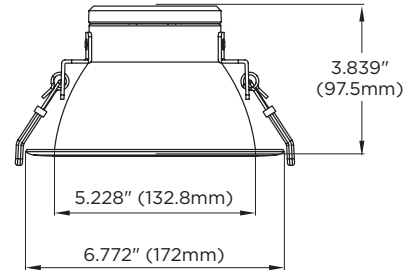


WATTAGE AND CCT SELECTABLE REMOTE DRIVER COMMERCIAL DOWNLIGHTS

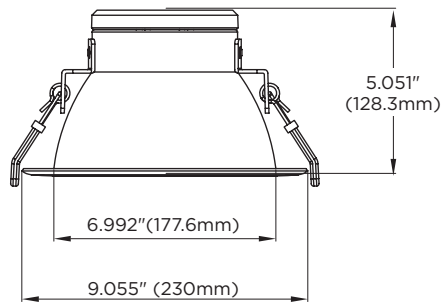
4 inch LED Commercial Downlight



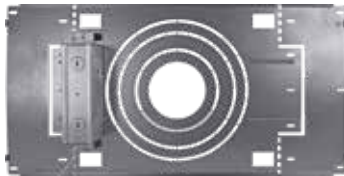
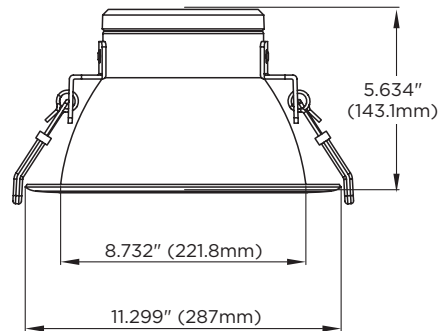
6 inch LED Commercial Downlight



8 inch LED Commercial Downlight



10 inch LED Commercial Downlight



Optional rough-in plate



Goof Ring

Item	Description	W	CCT	Lm	Pack
S11810	14.5WLED/CDL/4/ADJ-CCT/80D	8.5/11/14.5	27K/30K/35K/40K/50K	600/800/1020	12
S11811	23WLED/CDL/6/ADJ-CCT/80D	11/16/23	27K/30K/35K/40K/50K	900/1200/1750	12
S11812	32WLED/CDL/8/ADJ-CCT/80D	19/26/32	27K/30K/35K/40K/50K	1600/2000/2450	12
S11813	46WLED/CDL/10/ADJ-CCT/80D	33/40/46	27K/30K/35K/40K/50K	2500/3000/3500	12
S11814	14.5WLED/CDL/4/ADJ-CCT/40D	8.5/11/14.5	27K/30K/35K/40K/50K	600/800/1020	12
S11815	23WLED/CDL/6/ADJ-CCT/40D	11/16/23	27K/30K/35K/40K/50K	900/1200/1750	12
S11816	32WLED/CDL/8/ADJ-CCT/40D	19/26/32	27K/30K/35K/40K/50K	1600/2000/2450	12
S11817	46WLED/CDL/10/ADJ-CCT/40D	33/40/46	27K/30K/35K/40K/50K	2500/3000/3500	12
Accessories					
80-946	Goof ring 4" - 6" outside diameter				12
80-947	Goof ring 6" - 8" outside diameter				12
80-948	Goof ring 8" - 10.88" outside diameter				12
80-949	Remote driver 6' extension cable				12
80-970	Goof ring 10" - 13.25" outside diameter				12
80-959	Rough-in plate/CDL 4/6/8/10				12
S8003	6W LED/CDL EM Driver				12

*Consult Satco or visit www.satco.com for an up to date dimmer compatibility list. See warranty for details.

Product sheet SA2652

Specifications



Certifications



COMMERCIAL DOWNLIGHT EMERGENCY BATTERY BACKUP DRIVER



Features:

- 6 Watts / up to 515 lumens in EM mode
- Led test switch and indicator light included
- Output and over-power protection
- 90 Minute battery run time
- Recharge 24 hours max.
- Long life, high temperature, recyclable lithium ion battery

Compatible with
Satco 4", 6", 8" and
10" Commercial
LED Downlights



COMMERCIAL DOWNLIGHT EMERGENCY BATTERY BACKUP DRIVER

Technical Description/Operation:

The Satco S8003 is a UL Listed emergency driver that allows the same LED fixture to be used for both normal and emergency operation. In the event of a power failure, it switches to the emergency mode and operates the existing for 90 minutes. The unit contains a battery, charger, and converter circuit in a single can and is available in different mounting configurations for use with the Satco LED Commercial Downlight series. The continual power design maintains the output wattage to the LED light sources resulting in non-diminishing brightness for the entire runtime.

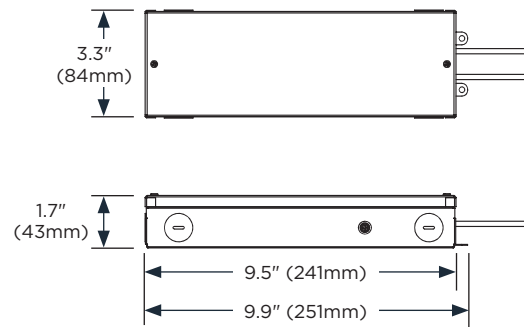


CAUTION: REPLACE BATTERY ONLY WITH YHBAL2-3.3

Specifications:

- Input voltage: 120-277VAC, 50/60Hz
- Output voltage: 20-50VDC
- Output power: 6 Watts
- Power factor: > 0.5
- Emergency operation: 90 Minutes
- Operating temperature: 32° (0°C) to 140° F (60°C)
- Meets UL 924 for Emergency Lighting

Dimensions



S8003 Lumen output in EM mode (90 min.)

Item	Size	Beam	Lumen Output
S11810	4"	80°	480
S11811	6"	80°	485
S11812	8"	80°	490
S11813	10"	80°	515
S11814	4"	40°	470
S11815	6"	40°	480
S11816	8"	40°	480
S11817	10"	40°	485



S8003 Emergency battery backup mounts directly to the 80-959 available mounting plate.

Item	Description	W	CCT	Lm	Pack
S8003	14.5WLED/CDL/4/ADJ-CCT/80D	8.5/11/14.5	27K/30K/35K/40K/50K	600/800/1020	20
Accessories					
80-959	Rough-in plate/CDL 4/6/8/10				12

See warranty for details.

Product sheet SA2410

Certifications



TRACK HEADS



Features:

- 24° and 36° beam angles
- Sleek, clean design
- Die cast construction
- 3 Year warranty



TRACK HEADS



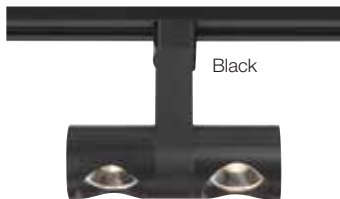
Black

Pipe
Width: 2.375", Height: 2.375",
Length: 3.375", Ext. 6.25"



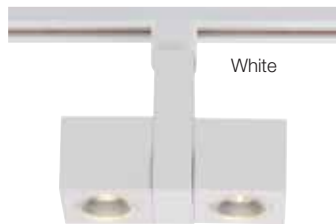
Brushed Nickel

Square
Width: 2.75", Height: 2.25",
Length: 2.375", Ext. 5.5"



Black

Pipe Dual
Width: 3.375", Height: 2.375",
Length: 2.375", Ext. 6"



White

Square Dual
Width: 6.75", Height: 2.375",
Length: 2.375", Ext. 6.5"

Item	Description	W	Beam	Lm	Pack
TH441	Pipe - White	12	24°	1020	12
TH443	Pipe - White	12	36°	1020	12
TH442	Pipe - Black	12	24°	1020	12
TH444	Pipe - Black	12	36°	1020	12
TH445	Pipe - Brushed Nickel	12	24°	1020	12
TH447	Pipe - Brushed Nickel	12	36°	1020	12
TH461	Square - White	12	24°	1020	12
TH463	Square - White	12	36°	1020	12
TH462	Square - Black	12	24°	1020	12
TH464	Square - Black	12	36°	1020	12
TH465	Square - Brushed Nickel	12	24°	1020	12
TH467	Square - Brushed Nickel	12	36°	1020	12
TH480	Dual Pipe - Black	24	24°	2040	12
TH481	Dual Pipe - Black	24	36°	2040	12
TH482	Dual Pipe - White	24	24°	2040	12
TH483	Dual Pipe - White	24	36°	2040	12
TH484	Dual Square - Black	24	24°	2040	12
TH485	Dual Square - Black	24	36°	2040	12
TH486	Dual Square - White	24	24°	2040	12
TH487	Dual Square - White	24	36°	2040	12

*Consult Satco or visit www.satco.com for an up to date dimmer compatibility list. See warranty for details.

Product sheet NU1634

Specifications



30,000 HOURS

Certifications



TRACK HEADS



Features:

- | 24° and 36° beam angles
- | Sleek, clean design
- | Die cast construction
- | 3 Year warranty



TRACK HEADS



Black

Pinch Back
Width: 3.25", Height: 3.25",
Length: 3.625", Ext. 5.5"



Brushed Nickel

Angle Arm
Width: 2.75", Height: 2.75",
Length: 3.375", Ext. 5.75"



Black

Forged
Width: 2.75", Height: 2.75",
Length: 3", Ext. 6.25"



Brushed Nickel

Piston
Width: 2.75", Height: 2.75",
Length: 2.75", Ext. 5.75"

Item	Description	Beam	Pack
TH411	Pinch Back - White	24°	12
TH413	Pinch Back - White	36°	12
TH412	Pinch Back - Black	24°	12
TH414	Pinch Back - Black	36°	12
TH415	Pinch Back - Brushed Nickel	24°	12
TH417	Pinch Back - Brushed Nickel	36°	12
TH421	Angle Arm - White	24°	12
TH423	Angle Arm - White	36°	12
TH422	Angle Arm - Black	24°	12
TH424	Angle Arm - Black	36°	12
TH425	Angle Arm - Brushed Nickel	24°	12
TH427	Angle Arm - Brushed Nickel	36°	12
TH488	Forged - White	24°	12
TH489	Forged - White	36°	12
TH490	Forged - Black	24°	12
TH491	Forged - Black	36°	12
TH492	Forged - Brushed Nickel	24°	12
TH493	Forged - Brushed Nickel	36°	12
TH494	Piston - White	24°	12
TH495	Piston - White	36°	12
TH496	Piston - Black	24°	12
TH497	Piston - Black	36°	12
TH498	Piston - Brushed Nickel	24°	12
TH499	Piston - Brushed Nickel	36°	12

Specifications

12 WATTS	1020 LUMENS	90 CRI	120 VOLT
3000 K	DIMMABLE	30,000 HOURS	

Certifications



*Consult Satco or visit www.satco.com for an up to date dimmer compatibility list. See warranty for details.

TRACK HEADS



Features:

- 24° and 36° beam angles
- Sleek, clean design
- Die cast construction
- 3 Year warranty



TRACK HEADS



White

Round
Width: 3.25", Height: 3.25",
Length: 2.2", Ext. 7.125"



White

Barrel
Width: 2.25", Height: 2.25",
Length: 3.75", Ext. 5.75"



Brushed Nickel

Taper Back
Width: 2.875", Height: 2.875",
Length: 2.75", Ext. 5.75"



Black

Small Cylinder
Width: 2.25", Height: 2.25",
Length: 3.5", Ext. 6.375"

Item	Description	Beam	Pack
TH401	Round - White	24°	12
TH403	Round - White	36°	12
TH402	Round - Black	24°	12
TH404	Round - Black	36°	12
TH405	Round - Brushed Nickel	24°	12
TH407	Round - Brushed Nickel	36°	12
TH431	Barrel - White	24°	12
TH433	Barrel - White	36°	12
TH432	Barrel - Black	24°	12
TH434	Barrel - Black	36°	12
TH435	Barrel - Brushed Nickel	24°	12
TH437	Barrel - Brushed Nickel	36°	12
TH451	Taper Back - White	24°	12
TH453	Taper Back - White	36°	12
TH452	Taper Back - Black	24°	12
TH454	Taper Back - Black	36°	12
TH455	Taper Back - Brushed Nickel	24°	12
TH457	Taper Back - Brushed Nickel	36°	12
TH471	Small Cylinder - White	24°	12
TH473	Small Cylinder - White	36°	12
TH472	Small Cylinder - Black	24°	12
TH474	Small Cylinder - Black	36°	12
TH475	Small Cylinder - Brushed Nickel	24°	12
TH477	Small Cylinder - Brushed Nickel	36°	12

Specifications

12 WATTS	1020 LUMENS	90 CRI	120 VOLT
3000 K	DIMMABLE	30,000 HOURS	

Certifications



*Consult Satco or visit www.satco.com for an up to date dimmer compatibility list. See warranty for details.

MONOPOINT



Features:

- Instant accent lighting
- Adjustable head
- Wall & ceiling application
- 3 Year warranty



MONOPOINT



Black
Barrel
Width 4.75", Height 4.25",
Length 2.75", Ext.4.75"



White
Barrel
Width 4.75", Height 4.25",
Length 2.75", Ext.4.75"



Black
Taper Back
Width 4.75", Height 4.5",
Length 2.75", Ext.5.75"



White
Taper Back
Width 4.75", Height 4.5",
Length 2.75", Ext.5.75"

Item	Description	Beam	Pack
62-1105	Barrel Mono-point - Black	36°	12
62-1106	Barrel Mono-point - White	36°	12
62-1107	Taper Back Mono-point - Black	36°	12
62-1108	Taper Back Mono-point - White	36°	12

*Consult Satco or visit www.satco.com for an up to date dimmer compatibility list. See warranty for details.

Product sheet NU1634

Specifications

12 WATTS	1020 LUMENS	90 CRI	120 VOLT
3000 K	DIMMABLE	30,000 HOURS	

Certifications



LINEAR TRACK BAR



Features:

- Installs directly onto track
- Rotates 270
- Perfect for wall washing
- Gallery lighting
- 4 Sizes available
- 3 year warranty



LINEAR TRACK BAR



1 Ft. Track Bar
Length 13.5", Width 1.5",
Height 1.5", Ext. 2"



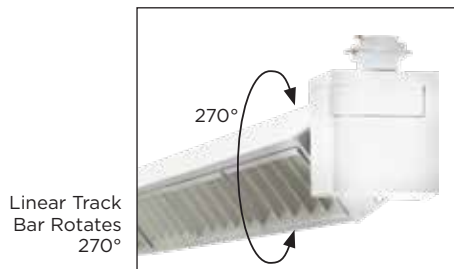
2 Ft. Track Bar
Length 24", Width 1.5",
Height 1.5", Ext. 2"



3 Ft. Track Bar
Length 34.25", Width 1.5",
Height 1.5", Ext. 2"



4 Ft. Track Bar
Length 44.75", Width 1.5",
Height 1.5", Ext. 2"



Item	Description	W	Lm	Beam	Pack
TH500	1 Ft. Track Bar - White	12	960	30°	12
TH501	1 Ft. Track Bar - Black	12	960	30°	12
TH502	2 Ft. Track Bar - White	24	1920	30°	12
TH503	2 Ft. Track Bar - Black	24	1920	30°	12
TH504	3 Ft. Track Bar - White	36	2880	30°	12
TH505	3 Ft. Track Bar - Black	36	2880	30°	12
TH506	4 Ft. Track Bar - White	48	3840	30°	12
TH507	4 Ft. Track Bar - Black	48	3840	30°	12

*Consult Satco or visit www.satco.com for an up to date dimmer compatibility list. See warranty for details.

Product sheet NUI634

Specifications

90 CRI
120 VOLT
3000 K*


30,000 HOURS

Certifications



TRACK KITS



Features:

- Black, White or Brushed Nickel Finish
- 3 Head kits with popular styles
- 3060 lumens - 1020 lumens per head
- 36° beam angles
- Die cast construction
- 3 Year warranty
- Includes 4' track, floating canopy power feed, all mounting hardware



TRACK KITS



Round
White



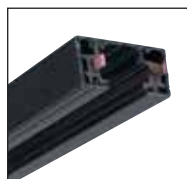
Pinch Back
Black



Angle Arm
Brushed Nickel



3 Conductor "H"
type connector



Track with end
cap removed

Item	Description	W	Lm	Beam	Pack
TK403	Round 3 Light - White	3 x 12	3 x 1020	36°	4
TK404	Round 3 Light - Black	3 x 12	3 x 1020	36°	4
TK407	Round 3 Light - Brushed Nickel	3 x 12	3 x 1020	36°	4
TK413	Pinch Back 3 Light - White	3 x 12	3 x 1020	36°	4
TK414	Pinch Back 3 Light - Black	3 x 12	3 x 1020	36°	4
TK417	Pinch Back 3 Light - Brushed Nickel	3 x 12	3 x 1020	36°	4
TK423	Angle Arm 3 Light - White	3 x 12	3 x 1020	36°	4
TK424	Angle Arm 3 Light - Black	3 x 12	3 x 1020	36°	4
TK427	Angle Arm 3 Light - Brushed Nickel	3 x 12	3 x 1020	36°	4

*Consult Satco or visit www.satco.com for an up to date dimmer compatibility list. See warranty for details.

Product sheet NU1634

Specifications



Certifications



PRO SERIES TRACK HEADS



12W White
Length: 5", Width: 2",
Height: 2", Ext: 7.5



15W White
Length: 6.13", Width: 2.5",
Height: 2.5", Ext: 8.75



30W White
Length: 7.13", Width: 3.13",
Height: 3.13", Ext: 9.63



12W Black
Length: 5", Width: 2",
Height: 2", Ext: 7.5



15W Black
Length: 6.13", Width: 2.5",
Height: 2.5", Ext: 8.75



30W Black
Length: 7.13", Width: 3.13",
Height: 3.13", Ext: 9.63

Item	Description	W	Lm	Beam	Pack
TH601	12W High Lumen - White	12	600	24°	12
TH602	12W High Lumen - Black	12	600	24°	12
TH603	12W High Lumen - White	12	600	36°	12
TH604	12W High Lumen - Black	12	600	36°	12
TH611	15W High Lumen - White	15	1200	24°	12
TH612	15W High Lumen - Black	15	1200	24°	12
TH613	15W High Lumen - White	15	1200	36°	12
TH614	15W High Lumen - Black	15	1200	36°	12
TH621	30W High Lumen - White	30	2000	24°	12
TH622	30W High Lumen - Black	30	2000	24°	12
TH623	30W High Lumen - White	30	2000	36°	12
TH624	30W High Lumen - Black	30	2000	36°	12

Specifications



Certifications



*Consult Satco or visit www.satco.com for an up to date dimmer compatibility list.
See warranty for details.

TRACK AND ACCESSORIES

TRACKS

Available in black, white or brushed nickel
Two dead end caps and all mounting hardware included

Color	2 Ft.	4 Ft.	6 Ft.	8 Ft.
White	TR118	TR120	TR124	TR122
Black	TR119	TR121	TR125	TR123
Br. Nickel	TR126	TR127	TR128	TR129



TRACK CURRENT LIMITERS

Track current limiter electrifies the track and limits current with built-in resettable circuit breaker



Color	0.5A	1A	2A	3A	5A	8A	12A
White	TL100	TL101	TL102	TL103	TL104	TL105	TL106
Black	TL110	TL111	TL112	TL113	TL114	TL115	TL116

TRACK POWER FEEDS AND CONNECTORS



LIVE END AND CANOPY
Electrifies the track from the end of the run (Pack: 12)
TP152 White
TP153 Black



CONDUIT LIVE END
Electrifies the track from the end of the run to a conduit pipe
TP169 White
TP170 Black



FLOATING CANOPY FEED
Electrifies the track anywhere along the length of the run
TP154 White
TP155 Black



INLINE FEED
Connects tracks in a straight run and supplies power
TP171 White
TP172 Black



MINI STRAIGHT CONNECTOR
Connects tracks in a straight run (Pack: 12)
TP144 White
TP145 Black



FLEXIBLE CONNECTOR
Connects track and supplies power at variable angles
TP167 White
TP168 Black



"L" CONNECTOR
Connects tracks and supplies power at a 90° angle
TP146 White
TP147 Black



"T" CONNECTOR
Connects tracks and supplies power in a "T" shape pattern
TP148 White
TP149 Black



"X" CONNECTOR
Connects tracks and supplies power in an "X" shape pattern
TP150 White
TP151 Black

Various other accessories available including extension wands, pendant adapters, suspension kits and more!
See Catalog NU-1350 or NU-4050 for complete track program

THREAD® LINEAR LED LIGHTING SYSTEM

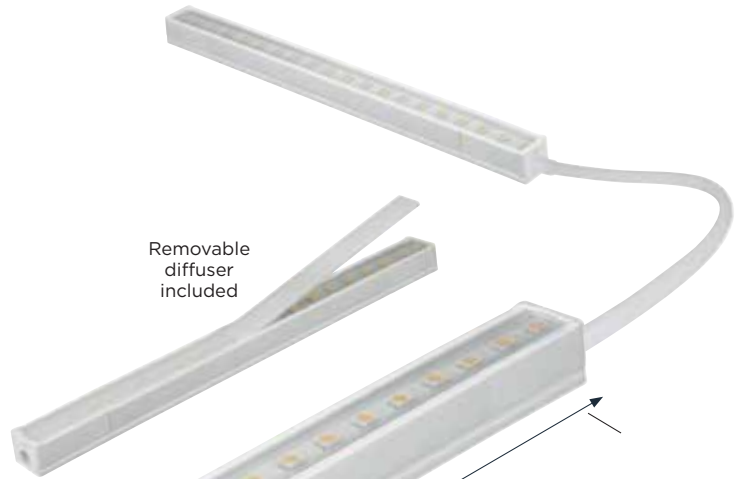
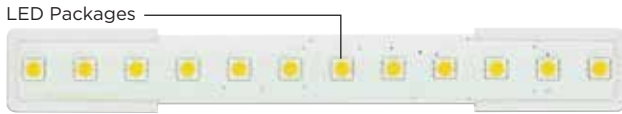


Features:

- Available in 6", 10", 21" and 30"
- On board IC driver—no external driver required
- 312 Lumens per foot at 2700K
- 330 Lumens per foot at 3500K
- Diffuser lens for even light—eliminates hot spots and glare - included
- Flat mounting clips, 45° mounting clips, removable diffusing lens and closed end cap included with each unit
- Very low heat, no UV or IR radiation
- Junction box or portable installations—various connection accessories available
- Up to 65' continuous runs off one power feed

- Exact spacing of LEDs, including fixture to fixture for consistent, even lighting
- ENERGY STAR certified for under-cabinet and cove applications
- Construction: Extruded polycarbonate body and diffuser lens
- Light source: LED 2700K and 3500K
- White Finish
- Dimming to less than 5% with electronic low voltage (ELV) dimmers
- 5 year warranty*

THREAD® LINEAR LED LIGHTING SYSTEM



.708" (18mm)
 .826" (21mm)

6" (152mm)
 10" (254mm)
 21" (533mm)
 30" (762mm)

Each Thread linear LED system comes with:



Item	Description	W	Lm	CCT	Beam	Pack
63-101	6"	12	166	2700K	110°	6
63-201	6"	12	180	3000K	110°	6
63-102	10"	24	268	2700K	110°	6
63-202	10"	24	278	3000K	110°	6
63-103	21"	36	593	2700K	110°	6
63-203	21"	36	607	3000K	110°	6
63-104	30"	48	804	2700K	110°	6
63-204	30"	48	833	3000K	110°	6

*Consult Satco or visit www.satco.com for an up to date dimmer compatibility list. See warranty for details.

Product sheet NU1185

Specifications

80 CRI 120 VOLT* DIMMABLE DAMP LOCATION

50,000 HOURS

Certifications

ETL US ENERGY STAR FC

OPTIONAL THREAD ACCESSORIES

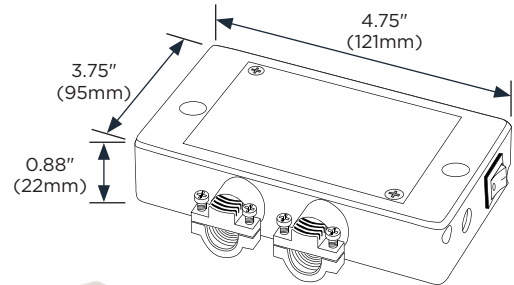
KEYED CONNECTORS

- Assures proper current flow
- Makes connections simple

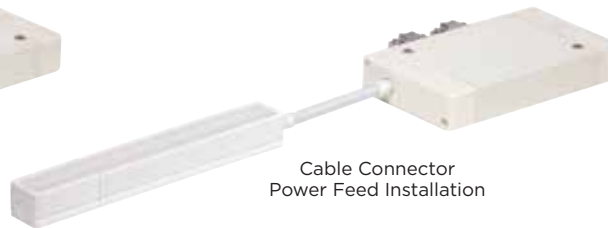


JUNCTION BOX

- Available with and without on/off side mounted rocker switch
- Supplied with 1/4" BX connectors and rubber hole plugs
- Approved for branch circuit wiring
- Accepts 14/3 wire
- 1/2" Knockouts on back of box
- Female power connector located on side of box



Direct Connector
Power Feed Installation



Cable Connector
Power Feed Installation

POWER ACCESSORIES



10' switched
power cord & plug
63-301



On/Off Rocker Switch
Hardware Junction Box
63-314



No Switch Hardware
Junction Box
63-315

Female
power
connection

CONNECTION ACCESSORIES



63-302



Connecting cable
2" 63-303, 6" 63-304, 12" 63-305,
18" 63-306, 24" 63-307



63-309



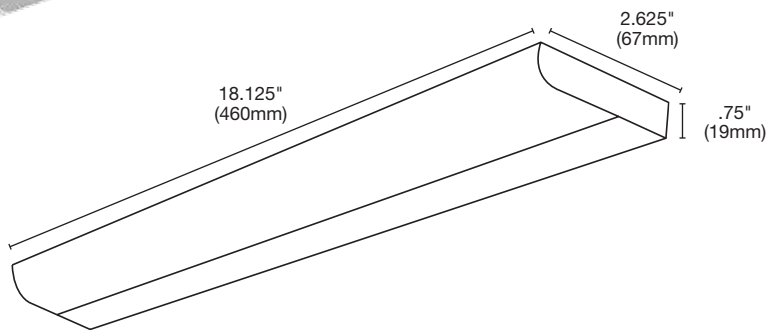
63-311

UNDER CABINET LIGHT BAR

A versatile, economical and easy-to-use LED light bar.

Features:

- | 18" and 24" lengths
- | Sleek design - only 1" deep
- | Easy installation - Keyhole or 3M™ tape mounting
- | Simple plug-in operation
- | Damp location
- | Standalone fixture



Item	Description	W	Lm	Pack
63-700	18" Light bar	10	860	12
63-701	24" Light bar	13.5	1050	12

See warranty for details.

Product sheet NU1671

Specifications

80
CRI

3000
K

120
VOLT


DAMP
LOCATION

50,000
HOURS

Certifications



COUNTERQUICK™ LINKABLE UNDER CABINET FIXTURE CCT SELECTABLE



Features:

- CCT selectable 3000K, 4000K, 5000K
- 8", 11", 14", 22" and 28" lengths
- Sleek design - only 1" deep
- Linkable up to 96 units
- Direct wire, plug in or J-box
- Many available accessories
- 5 Year warranty



ColorQuick™

Selectable Color Technology

Switch to/from the following CCT



COUNTERQUICK™ LINKABLE UNDER CABINET FIXTURE CCT SELECTABLE

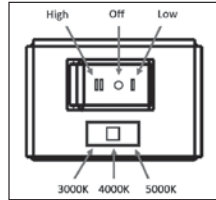
An innovative, sleek lighting solution for virtually any under cabinet application

LINK UP TO:

- 63-500 96 units
- 63-501 72 units
- 63-502 48 units
- 63-503 36 units
- 63-504 22 units



Linkable Up To 96 Units



Color Temperature and Hi-Low Selectable



Optional accessories that add versatility and make installation easy



Power cord (included)
63-510



Link cable
63-515 (6"), 63-516 (12"), 63-517 (24")



Male-to-female link connector
63-518



Junction box / plastic
63-513



Junction box / metal
63-514



3/8" Wire connector
63-512



End connector
63-511

Item	Description	W	Lm	CCT Selectable	Pack
63-500	8" - White	5	350	3000K/4000K/5000K	4
63-501	11" - White	6.5	450	3000K/4000K/5000K	4
63-502	14" - White	9	650	3000K/4000K/5000K	4
63-503	22" - White	13	920	3000K/4000K/5000K	4
63-504	28" - White	17	1350	3000K/4000K/5000K	4
Accessories					
63-510	Power cord				100
63-511	End connector				1000
63-512	3/8" Wire connector				300
63-513	Junction box - plastic				100
63-514	Junction box - metal				100
63-515	Link cable 6"				200
63-516	Link cable 12"				200
63-517	Link cable 24"				200
63-518	Link connector				1000

Specifications



Certifications



*Consult Satco or visit www.satco.com for an up to date dimmer compatibility list. See warranty for details.

DUAL HEAD SECURITY WITH OR WITHOUT MOTION SENSOR



Features:

- Die-cast aluminum body and heads
- Impact resistant lenses
- UV Stabilized powder coated finish
- Recessed junction box required
- 100-277V (without motion sensor)
- 120V (with motion sensor)
- Operating temperature:
-30°C to 50°C (-22°F to 122°F)
- 5 Year warranty



Black (no sensor)

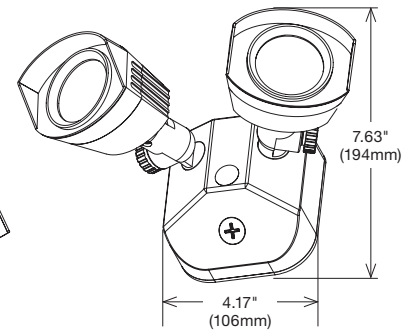
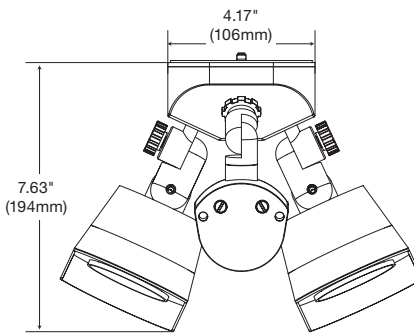
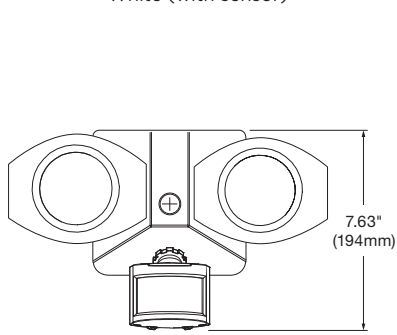
DUAL HEAD SECURITY WITH OR WITHOUT MOTION SENSOR



White (with sensor)



Bronze (no sensor)



Motion Sensor Specifications
 1 Time setting: 10 seconds to 10 minutes
 Detection angle: 180°
 Detection range: 10 feet to 60 feet
 Dusk to dawn feature
 Manual override

Item	Description	V	CCT	Pack
65-210	White	100-277V	3000K	5
65-211	White w/Sensor	120V	3000K	5
65-212	Bronze	100-277V	3000K	5
65-213	Bronze w/Sensor	120V	3000K	5
65-214	Black	100-277V	3000K	5
65-215	Black w/Sensor	120V	3000K	5
65-216	White	100-277V	4000K	5
65-217	White w/Sensor	120V	4000K	5
65-218	Bronze	100-277V	4000K	5
65-219	Bronze w/Sensor	120V	4000K	5
65-220	Black	100-277V	4000K	5
65-221	Black w/Sensor	120V	4000K	5

*Consult Satco or visit www.satco.com for an up to date dimmer compatibility list. See warranty for details.

Product sheet NUI537

Specifications

80 CRI

20 WATTS

1900 LUMENS

WET LOCATION

50,000 HOURS

2KV SURGE PROTECTION

Certifications

DUAL HEAD SECURITY WITH OR WITHOUT MOTION SENSOR



Features:

- Die-Cast Aluminum Body and Heads
- UV Stabilized powder coated finish
- Recessed and External J-box Mounting
- 100-277V (without motion sensor)
- 120V (with motion sensor)
- Operating temperature:
-30°C to 50°C (-22°F to 122°F)
- 5 Year warranty



Black (no sensor)

DUAL HEAD SECURITY WITH OR WITHOUT MOTION SENSOR

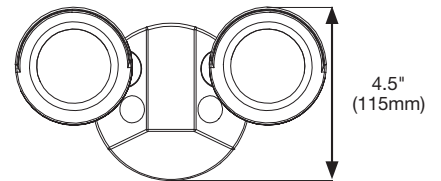
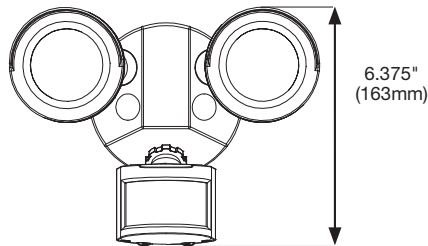
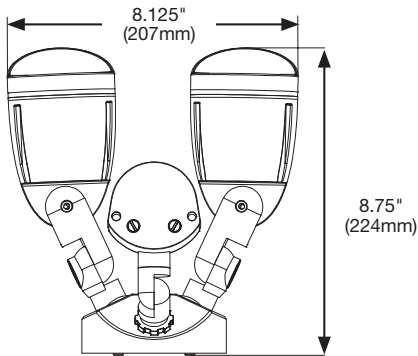


White (no sensor)



Bronze (with sensor)

Motion Sensor Specifications
 1 Time setting: 10 seconds to 10 minutes
 Detection angle: 180°
 Detection range: 10 feet to 60 feet
 Dusk to dawn feature
 Manual override



Item	Description	V	CCT	Pack
65-710	White	100V-277V	3000K	5
65-711	White	100V-277V	4000K	5
65-712	White w/Sensor	120V	3000K	5
65-713	White w/Sensor	120V	4000K	5
65-714	Bronze	100V-277V	3000K	5
65-715	Bronze	100V-277V	4000K	5
65-716	Bronze w/Sensor	120V	3000K	5
65-717	Bronze w/Sensor	120V	4000K	5
65-718	Black	100V-277V	3000K	5
65-719	Black	100V-277V	4000K	5
65-720	Black w/Sensor	120V	3000K	5
65-721	Black	120V	4000K	5

Specifications

80 CRI	20 WATTS	1900 LUMENS	WET LOCATION
50,000 HOURS	IP 65	2KV SURGE PROTECTION	

Certifications

ETL US	ENERGY STAR	FC	RoHS COMPLIANT
------------------	--------------------	-----------	--------------------------

*Consult Satco or visit www.satco.com for an up to date dimmer compatibility list. See warranty for details.

Product sheet NU1643

LANDSCAPE FLOODS



Features:

- 6W, 9W and 12W Options
- Dark Gray, Light Gray or Bronze finish
- Die cast aluminum body
- No transformer required
- 1/2" Threaded knuckle mount
- UV stabilized powder coated finish
- 60° Beam angle
- cULus
- 5 Year warranty



12W, PAR30 Size
Light Gray

LANDSCAPE FLOODS



Item	Description	W	Lm	Pack
PAR16				
62-1200	6W Landscape Flood (PAR16 size) - Bronze	6	640	12
62-1201	6W Landscape Flood (PAR16 size) - Dark Gray	6	640	12
62-1202	6W Landscape Flood (PAR16 size) - Light Gray	6	640	12
PAR20				
62-1203	9W Landscape Flood (PAR20 size) - Dark Gray	9	900	12
62-1204	9W Landscape Flood (PAR20 size) - Light Gray	9	900	12
62-1205	9W Landscape Flood (PAR20 size) - Bronze	9	900	12
PAR30				
62-1206	12W Landscape Flood (PAR30 size) - Bronze	12	1240	12
62-1207	12W Landscape Flood (PAR30 size) - Dark Gray	12	1240	12
62-1208	12W Landscape Flood (PAR30 size) - Light Gray	12	1240	12
Accessories				
60-673	1 Light Die Cast Mounting Plate - Light Gray			96
60-674	2 Light Die Cast Mounting Plate - Light Gray			96
60-675	1 Light Die Cast Mounting Plate - Dark Gray			96
60-676	2 Light Die Cast Mounting Plate - Dark Gray			96
60-677	2" Diameter Pvc Mounting Post - Dark Gray			24
60-678	3" Diameter Pvc Mounting Post - Dark Gray			24
60-679	2" Diameter Pvc Mounting Post - Light Gray			24
60-680	3" Diameter Pvc Mounting Post - Light Gray			24
76-641	3" Diameter Pvc Mounting Post - Bronze			24
76-640	2" Diameter Pvc Mounting Post - Bronze			24

Specifications

80 CRI
3000 K
120 VOLT
WET LOCATION

50,000 HOURS

Certifications



See warranty for details.

Product sheet NUI394

STEP LIGHTS



Features:

- Rugged construction
- No transformer required
- Easy installation
- UV stabilized powder coated finish
- Bronze, White or Gray finish
- Minimum interior box volume of 13 cubic inches.
- 5 Year warranty



Horizontal Step Light Bronze

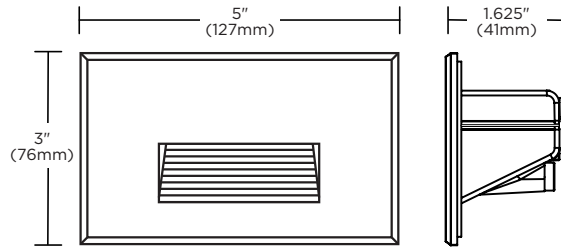
STEP LIGHTS



Horizontal Step Light White



Horizontal Step Light Gray



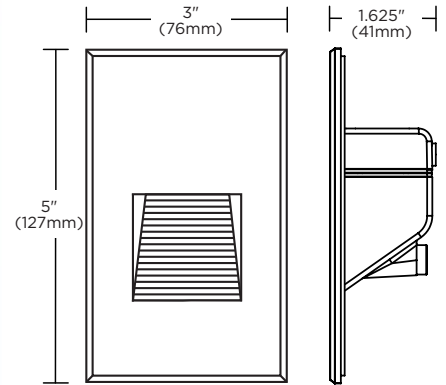
Vertical Step Light Bronze



Vertical Step Light White



Vertical Step Light Gray



Item	Description	W	Lm	Pack
Vertical				
65-401	Step Light - Bronze	3	200	24
65-405	Step Light - White	3	200	24
65-409	Step Light - Gray	3	200	24
Horizontal				
65-403	Step Light - Bronze	5	407	24
65-407	Step Light - White	5	407	24
65-411	Step Light - Gray	5	407	24

*Consult Satco or visit www.satco.com for an up to date dimmer compatibility list.
Minimum interior box volume of 13 cubic inches.
See warranty for details.

Product sheet NUI393

Specifications



Certifications



1 LIGHT UP OR DOWN OUTDOOR WALL



Features:

- Die-cast aluminum body
- UV stabilized powder coated finish
- White, Black or Bronze finish
- Operating temp: -30°C to 50°C (-22°F to 122°F)
- 40° Beam spread
- IP65
- 5 Year warranty



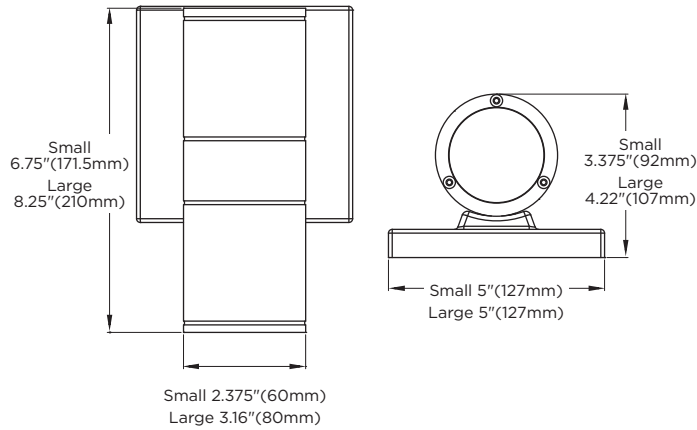
Small Black in "DOWN" position

1 LIGHT UP OR DOWN OUTDOOR WALL

Large wall shown in "DOWN" position



Small wall shown in "UP" position

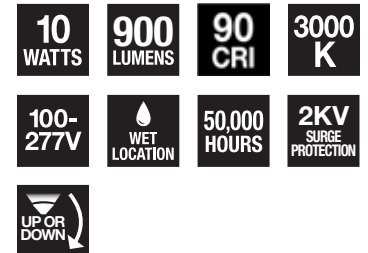


Item	Description	Pack
62-1137	1 Light Small Up or Down - White	10
62-1138	1 Light Small Up or Down - Black	10
62-1139	1 Light Small Up or Down - Bronze	10
62-1147	1 Light Large Up or Down - White	5
62-1148	1 Light Large Up or Down - Black	5
62-1149	1 Light Large Up or Down - Bronze	5

See warranty for details.

Product sheet NU1535

Specifications



Certifications



2 LIGHT UP AND DOWN OUTDOOR WALL



Features:

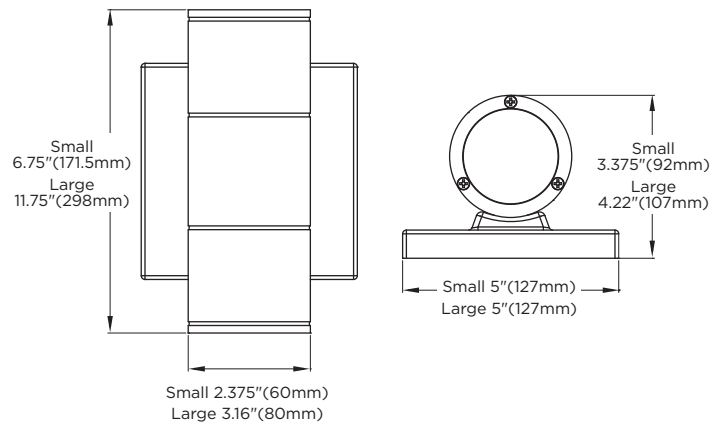
- Die-cast aluminum body
- UV stabilized powder coated finish
- White, Black or Bronze finish
- 40° Beam spread
- Operating temp: -30°C to 50°C (-22°F to 122°F)
- IP65
- 5 Year warranty



Small Black

Small 6¾" (171.5mm)
Large 8¾" (210mm)

2 LIGHT UP AND DOWN OUTDOOR WALL

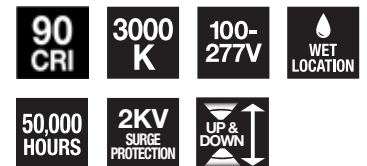


Item	Description	W	Lm	Pack
62-1141R1	2 Light Small Up and Down - White	10	900	5
62-1142R1	2 Light Small Up and Down - Black	10	900	5
62-1145R1	2 Light Small Up and Down - Bronze	10	900	5
62-1143R1	2 Light Large Up and Down - White	20	1800	5
62-1144R1	2 Light Large Up and Down - Black	20	1800	5
62-1146R1	2 Light Large Up and Down - Bronze	20	1800	5

See warranty for details.

Product sheet NU136

Specifications



Certifications



BULKHEAD WALL



Features:

- Rugged construction
- Die-cast aluminum body
- UV stabilized powder coated finish
- (4) 1/2" Knockouts
- White or Black finish with Frosted glass
- Suitable for wet locations
- Operating temperature:
-20°C to 40°C (-40°F to 104°F)
- 5 Year warranty

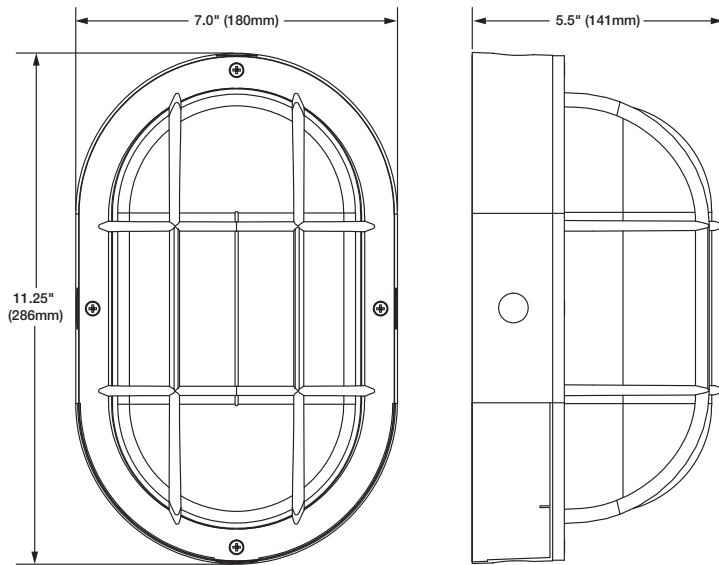


Bulkhead Black

BULKHEAD WALL



Bulkhead White



Item	Description	Lm	Pack
65-113	Bulkhead - White	1440	2
65-114	Bulkhead - Black	1440	2

See warranty for details.

Product sheet NU1361

Specifications

20
WATTS

90
CRI

100-277V


WET LOCATION

50,000
HOURS

3KV
SURGE
PROTECTION

Certifications




7" AND 10" DISK



Features:

Complies with NEC 410.16 (A)(3) and
NEC 410.16 (C)(5)

Mounts to 3" & 4" junction boxes -
includes cross bar

Durable white lens (PMMA)

5 Year warranty



10" Brushed Nickel

7" AND 10" DISK



10" White



10" Mahogany Bronze



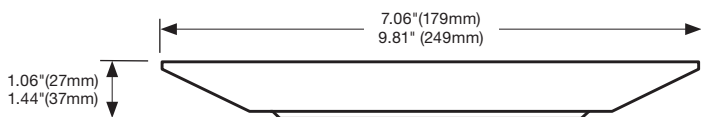
7" White



7" Brushed Nickel



7" Mahogany Bronze



Item	Description	W	CCT	Lm	Pack
62-1161	7" Disk White	10.5	3000K	578	12
62-1162	7" Disk Brushed Nickel	10.5	3000K	578	12
62-1163	7" Disk Mahogany Bronze	10.5	3000K	578	12
62-1164	7" Disk White	10.5	4000K	610	12
62-1165	10" Disk White	12	3000K	700	12
62-1166	10" Disk Brushed Nickel	12	3000K	700	12
62-1167	10" Disk Mahogany Bronze	12	3000K	700	12
62-1168	10" Disk White	12	4000K	760	12

*Consult Satco or visit www.satco.com for an up to date dimmer compatibility list. See warranty for details.

Product sheet NU1447

Specifications

50,000 HOURS

Certifications

7" AND 10" HIGH LUMEN DISK



Features:

Occupancy Sensor models
comply with NEC 410.16 (A)(3)
and NEC 410.16 (C)(5)

Mounts to 3" & 4" junction boxes -
includes crossbar

Durable white lens (PMMA)

5 Year warranty



10" Mahogany Bronze

7" AND 10" HIGH LUMEN DISK



10" White



10" Brushed Nickel



7" White with Occupancy Sensor

Occupancy sensor operation



There are 3 sensor settings on the side. Use a flat screwdriver to adjust.



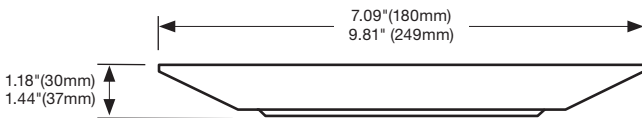
1 **Area** Sensor activation area can be set for a diameter of 0ft to a maximum of 20 ft



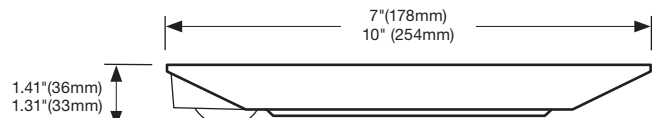
2 **0% - 30%** The fixture can be set at default brightness of 0 (not lit in OFF condition) or 30% (maintain 30% of full output in OFF condition)



3 **Time** Time options from 0 to 5 minutes for ON time after activation



High Lumen Disk



High Lumen Disk with Sensor

Item	Description	W	CCT	Lm	Pack
62-1261R1†	7" High lumen disk White	15	3000K	1000	12
62-1262R1†	7" High lumen disk Brushed Nickel	15	3000K	1000	12
62-1263R1†	7" High lumen disk Mahogany Bronze	15	3000K	1000	12
62-1264R1†	7" High lumen disk White	15	4000K	1050	12
62-1265††	10" High lumen disk White	21.5	3000K	1200	12
62-1266††	10" High lumen disk Brushed Nickel	21.5	3000K	1200	12
62-1267††	10" High lumen disk Mahogany Bronze	21.5	3000K	1200	12
62-1268††	10" High lumen disk White	21.5	4000K	1260	12
With Occupancy Sensor					
62-1310††	7" High lumen disk White w/sensor	16.5	3000K	1000	12
62-1312††	7" High lumen disk White w/sensor	16.5	4000K	1050	12
62-1311††	10" High lumen disk White w/sensor	21.5	3000K	1200	12
62-1313††	10" High lumen disk White w/sensor	21.5	4000K	1260	12

Specifications



Certifications



*Consult Satco or visit www.satco.com for an up to date dimmer compatibility list. See warranty for details.

Product sheet NU1447

CLOUD FLUSH CCT SELECTABLE



Features:

- CCT Selectable - 3000K/4000K/5000K
- Versions with and without occupancy sensors
- Complies with NEC 410.16 (A)(3) & NEC 410.16(C)(5)
- Durable white cover (PMMA)
- 5 Year warranty



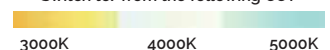
14" Round



ColorQuick™

Selectable Color Technology

Switch to/from the following CCT



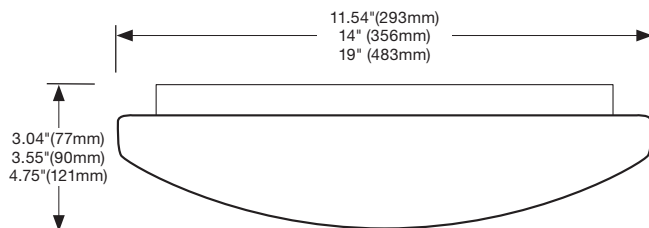
CLOUD FLUSH CCT SELECTABLE



11" Round



19" Round



Item	Description	W	CCT	Lm	Pack
62-1210*	11" flush mount	16	3000K/4000K/5000K	1067L - 1132L	6
62-1211	11" flush mount w/ occ. sensor	16.5	3000K/4000K/5000K	1067L - 1132L	6
62-1212*	14" flush mount	20	3000K/4000K/5000K	1307L - 1414L	4
62-1213	14" flush mount w/ occ. sensor	20.5	3000K/4000K/5000K	1307L - 1414L	4
62-1218*	19" flush mount	32	3000K/4000K/5000K	2617L - 2868L	2
62-1219	19" flush mount w/ occ. sensor	32.5	3000K/4000K/5000K	2617L - 2868L	2

*Non-sensor versions. Consult Satco or visit www.satco.com for an up to date dimmer compatibility list. See warranty for details.

Product sheet NU576

Specifications



Certifications



CLOUD FLUSH 120-277V



Features:

- | Dimmable (120V only)*
- | Durable white cover (PMMA)

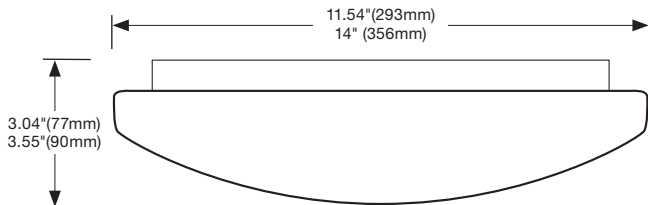


14" Round

CLOUD FLUSH 120-277V



11" Round



Item	Description	W	CCT	Lm	Pack
62-795R1	11" flush mount	12.5	3000K	891	6
62-796R1	14" flush mount	16.5	3000K	1120	4

*Consult Satco or visit www.satco.com for an up to date dimmer compatibility list. See warranty for details.

Product sheet NU1280

Specifications

**90
CRI**

**120-
277V**

**DIMMABLE
120V**

**DAMP
LOCATION**

**40,000
HOURS**

Certifications

ETL

ENERGY STAR

CLOUD FLUSH 120-277V 0-10V DIMMING



Features:

- | Durable white cover (PMMA)
- | 5 Year warranty



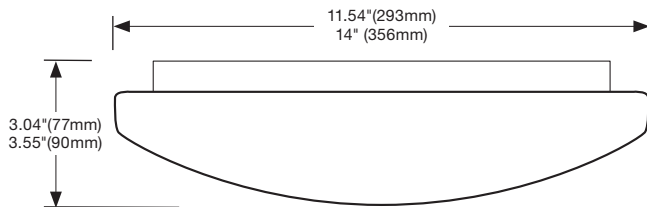
14" Round

CLOUD FLUSH

120-277V 0-10V DIMMING



11" Round



Item	Description	W	CCT	Lm	Pack
62-791R1	11" flush mount	12.5	3000K	875	6
62-792R1	14" flush mount	16.5	3000K	1245	4

*Consult Satco or visit www.satco.com for an up to date dimmer compatibility list. See warranty for details.

Product sheet NU576

Specifications

90
CRI

120-
277V

0-10V
DIMMING

DAMP
LOCATION

50,000
HOURS

Certifications

ETL
US

ENERGY STAR

CLOUD FLUSH VACANCY OR OCCUPANCY SENSORS



62-797 14" Occupancy Sensor Features:

- Occupancy Sensor-provides automatic ON/OFF switching
- 14" Flush mount fixture
- Durable white cover (PMMA)

62-798 14" Vacancy Sensor Features:

- 24/7 Sensor step-down operation: Unoccupied, 50% light / occupied, 100% light (Always on)
- 14" Flush mount fixture
- Durable white cover (PMMA)

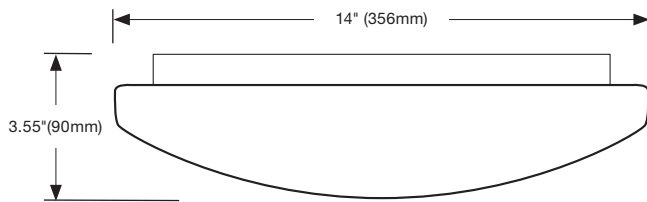


14" Round

CLOUD FLUSH VACANCY OR OCCUPANCY SENSORS



14" Round



Item	Description	Pack
62-797	14" Flush Mount w/sensor	6
62-798	14" Flush Mount w/step down sensor	4

See warranty for details.

Product sheet NU1292

Specifications

90 CRI **120-277V** **16.5 WATTS** **960 LUMENS**

DIMMABLE 120V **DAMP LOCATION** **40,000 HOURS**

Certifications



CLOUD FLUSH WITH OR WITHOUT OCCUPANCY SENSOR



Features:

- Versions with and without occupancy sensors
- Complies with NEC 410.16 (A)(3) & NEC 410.16(C)(5)
- Durable white cover (PMMA)
- 5 Year warranty



14" Square

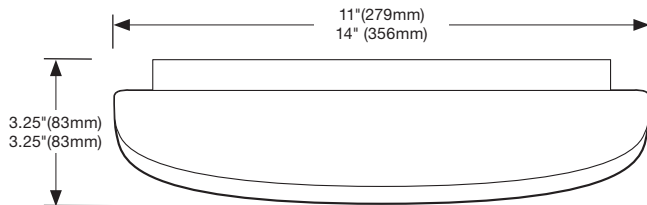
CLOUD FLUSH WITH OR WITHOUT OCCUPANCY SENSOR



11" Square

Occupancy Sensor Specifications

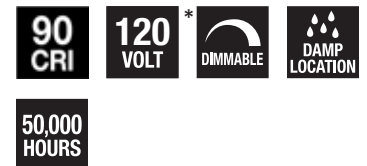
- Input current: $\geq 25\text{mA}$
- 8 pin DIP switch setting, multiple options to meet different customer demands
- Detection range up to 10m in diameter
- Mounting height: 3-6m
- RoHs compliant



Item	Description	W	CCT	Lm	Pack
62-1095*	11" flush mount	16	3000K	990	6
62-1096	11" flush mount w/ occ. sensor	20	3000K	1230	4
62-1097*	14" flush mount	16.5	3000K	990	6
62-1098	14" flush mount w/ occ. sensor	20.5	3000K	1230	4

*Non-sensor versions. Consult Satco or visit www.satco.com for an up to date dimmer compatibility list. Product sheet NU1461
See warranty for details.

Specifications



Certifications



GLAMOUR SURFACE MOUNT CCT SELECTABLE



Features:

- CCT Selectable - 3000K/4000K/5000K
- Durable white cover (PMMA)
- Available in Brushed Nickel or Black
- 5 Year warranty



32" Brushed Nickel (Oval)



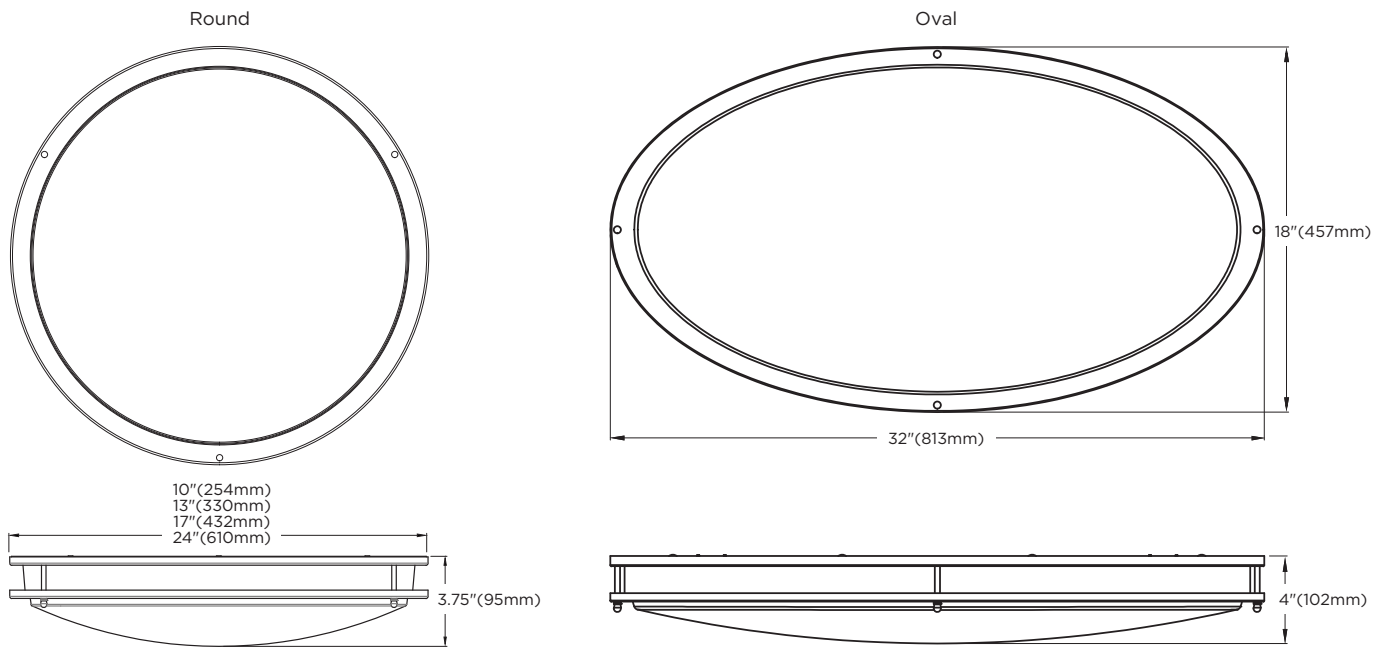
ColorQuick™

Selectable Color Technology

Switch to/from the following CCT



GLAMOUR SURFACE MOUNT CCT SELECTABLE



Item	Description	CCT	W	Lm	Pack
62-1635	10" Round - Brushed Nickel	3000K/4000K/5000K	18	1440-1530	6
62-1636	13" Round - Brushed Nickel	3000K/4000K/5000K	25	2000-2125	6
62-1637	17" Round - Brushed Nickel	3000K/4000K/5000K	25	2000-2125	4
62-1638	24" Round - Brushed Nickel	3000K/4000K/5000K	39	3000-3150	2
62-1641	32" Oval - Brushed Nickel	3000K/4000K/5000K	52	4160-4420	1
62-1735	10" Round - Black	3000K/4000K/5000K	18	1440-1530	6
62-1736	13" Round - Black	3000K/4000K/5000K	25	2000-2125	6
62-1737	17" Round - Black	3000K/4000K/5000K	25	2000-2125	4
62-1738	24" Round - Black	3000K/4000K/5000K	39	3000-3150	2
62-1741	32" Oval - Black	3000K/4000K/5000K	52	4160-4420	1

Specifications



Certifications



*Consult Satco or visit www.satco.com for an up to date dimmer compatibility list. See warranty for details.

GLAMOUR LINEAR CCT SELECTABLE



Features:

- CCT Selectable - 3000K/4000K/5000K
- Durable white cover (PMMA)
- Available in Brushed Nickel or Black
- 5 Year warranty



50" Black



ColorQuick™

Selectable Color Technology

Switch to/from the following CCT



GLAMOUR LINEAR CCT SELECTABLE



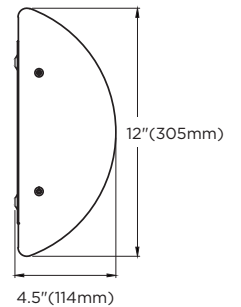
25" Black



25" Brushed Nickel



50" Brushed Nickel



Item	Description	CCT	W	Lm	Pack
62-1639	25" Linear - Brushed Nickel	3000K/4000K/5000K	26	2000-2100	3
62-1640	50" Linear - Brushed Nickel	3000K/4000K/5000K	52	4160-4420	1
62-1739	25" Linear - Black	3000K/4000K/5000K	26	2000-2100	3
62-1740	50" Linear - Black	3000K/4000K/5000K	52	4160-4420	1

*Consult Satco or visit www.satco.com for an up to date dimmer compatibility list. See warranty for details.

Product sheet NU1372

Specifications



Certifications



GLAMOUR & CRISPO WALL CCT SELECTABLE



Features:

- CCT Selectable - 3000K/4000K/5000K
- Durable white cover (PMMA)
- Glamour available in Brushed Nickel, or Black
- Crispo available in White
- 5 Year warranty



Glamour in
Black



ColorQuick™

Selectable Color Technology

Switch to/from the following CCT



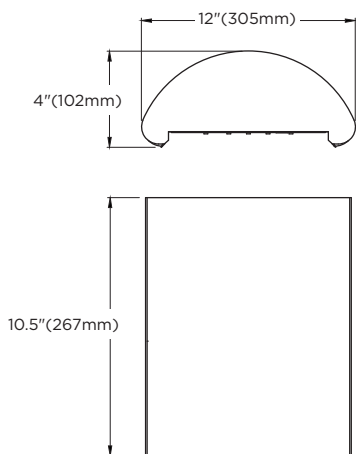
GLAMOUR & CRISPO WALL CCT SELECTABLE



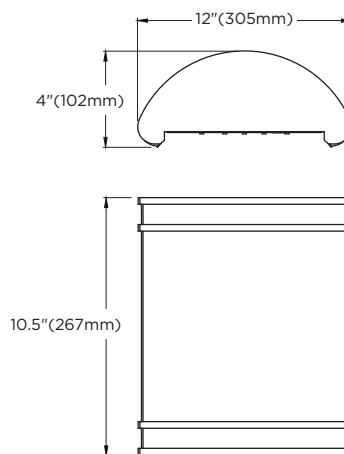
Crispo in White



Glamour in
Brushed Nickel



Crispo



Glamour

Item	Description	CCT Selectable	Lm	Pack
62-1645	Glamour Wall Sconce - Brushed Nickel	3000K/4000K/5000K	800-850	1
62-1745	Glamour Wall Sconce - Black	3000K/4000K/5000K	800-850	1
62-1646	Crispo Wall Sconce - White	3000K/4000K/5000K	800-850	1

*Consult Satco or visit www.satco.com for an up to date dimmer compatibility list. See warranty for details.

Product sheet NUI369

Specifications



Certifications

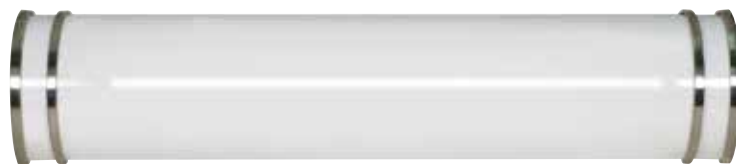


GLAMOUR & CRISPO VANITY CCT SELECTABLE



Features:

- CCT Selectable - 3000K/4000K/5000K
- Durable white cover (PMMA)
- ADA compliant
- Glamour available in Brushed Nickel, or Black
- Crispo available in White
- 5 Year warranty



Glamour 25" Brushed Nickel



ColorQuick™

Selectable Color Technology

Switch to/from the following CCT



GLAMOUR & CRISPO VANITY CCT SELECTABLE



Glamour 49" Black



Glamour 25" Black



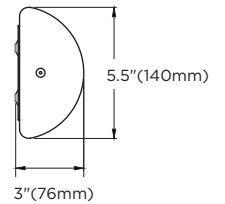
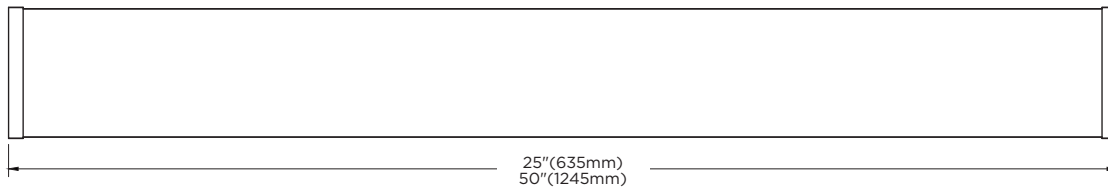
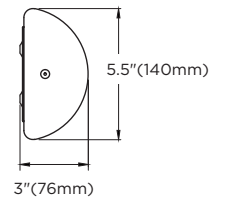
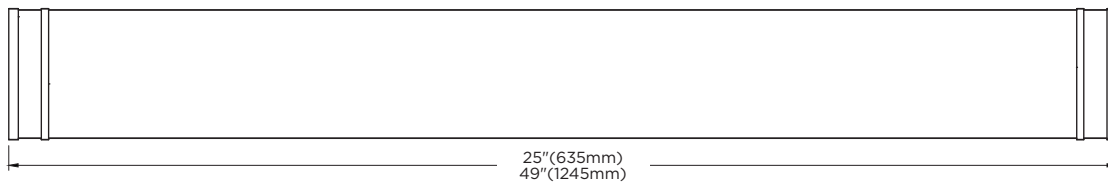
Glamour 49" Brushed Nickel



Crispo 25"



Crispo 49"



Item	Description	W	CCT	Lm	Pack
62-1631	25" Glamour Vanity - Brushed Nickel	26	3000K/4000K/5000K	2000-2100	6
62-1632	49" Glamour Vanity - Brushed Nickel	52	3000K/4000K/5000K	4160-4420	4
62-1731	25" Glamour Vanity - Black	26	3000K/4000K/5000K	2000-2100	6
62-1732	49" Glamour Vanity - Black	52	3000K/4000K/5000K	4160-4420	4
62-1633	25" Crispo Vanity - White	26	3000K/4000K/5000K	2000-2100	6
62-1634	49" Crispo Vanity - White	52	3000K/4000K/5000K	4160-4420	4

*Consult Satco or visit www.satco.com for an up to date dimmer compatibility list. See warranty for details.

Product sheet NU1367

4.5" (114mm) Specifications



Certifications



LINK



Features:

- ADA compliant wall sconces
- Brushed Nickel Finish with Satin White Glass
- 3 Year warranty



Double Tube Wall Sconce
(horizontal mount)

LINK



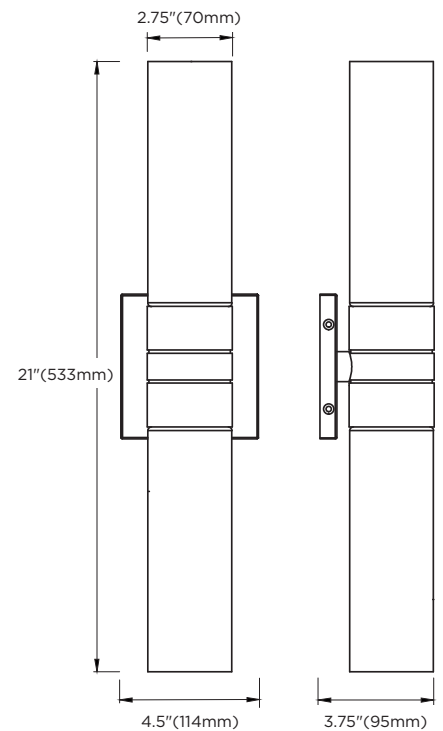
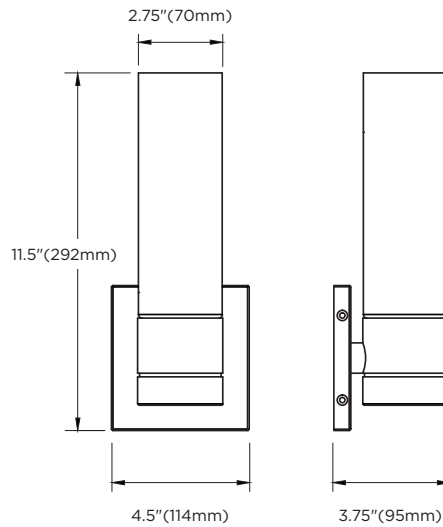
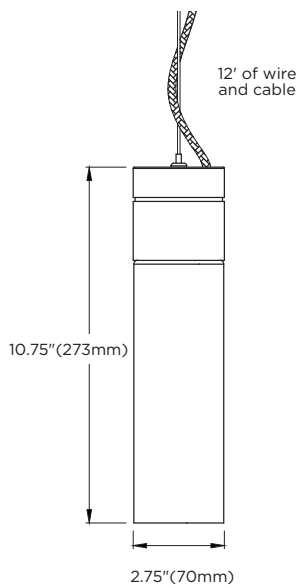
Single Tube Pendant



Single Tube Wall Sconce



Double Tube Wall Sconce
(vertical mount)



Item	Description	W	Lm	Pack
62-2936	Double Tube Wall Sconce - Brushed Nickel	24	1640	1
62-2934	Single Tube Wall Sconce - Brushed Nickel	12	820	1
62-2932	Single Tube Pendant - Brushed Nickel	12	820	1
Accessories				
25-4091	36" 3 Light Mounting Plate - Brushed Nickel			1

*Consult Satco or visit www.satco.com for an up to date dimmer compatibility list. See warranty for details.

Product sheet NU1435

Specifications



Certifications



BUTTON ROUND FLUSH



Features:

- Available in Brushed Nickel or Black with Satin White glass
- 3 Year warranty



17" Brushed Nickel

BUTTON ROUND FLUSH



11" Black



11" Brushed Nickel



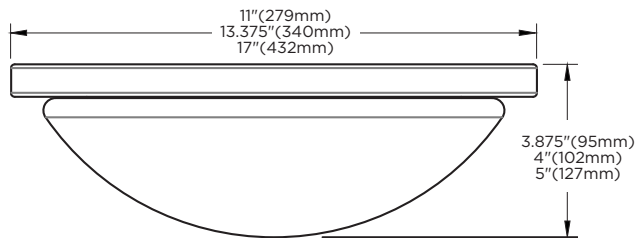
13" Black



13" Brushed Nickel



17" Black



Item	Description	W	Lm	Pack
62-1042	11" - Brushed Nickel	18	1440	4
62-1043	13" - Brushed Nickel	18	1440	3
62-1044	17" - Brushed Nickel	25	2000	3
62-1442	11" - Black	18	1440	4
62-1443	13" - Black	18	1440	3
62-1444	17" - Black	25	2000	3

*Consult Satco or visit www.satco.com for an up to date dimmer compatibility list. See warranty for details.

Product sheet NU1371

Specifications



Certifications



PI ROUND FLUSH



Features:

- Available in Brushed Nickel or Black with Etched glass
- 3 Year warranty



14" Brushed Nickel

PI ROUND FLUSH



14" Black



11" Brushed Nickel



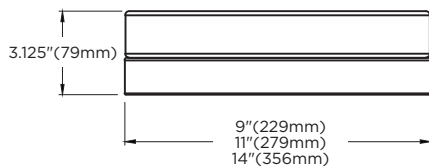
11" Black



9" Brushed Nickel



9" Black



Item	Description	W	Lm	Pack
62-458	9" - Brushed Nickel	15	1275	4
62-459	11" - Brushed Nickel	25	2125	3
62-460	14" - Brushed Nickel	25	2125	3
62-468	9" - Black	15	1275	4
62-469	11" - Black	25	2125	3
62-470	14" - Black	25	2125	3

*Consult Satco or visit www.satco.com for an up to date dimmer compatibility list. See warranty for details.

Product sheet NU1544

Specifications



Certifications



TWIST AND LOCK FLUSH



Features:

120V - 277V

Dimmable (120V only)

Available in Brushed Nickel or
Mahogany Bronze with Frosted
Twist and Lock glass

5 Year warranty



14" Brushed Nickel

TWIST AND LOCK FLUSH



12" Brushed Nickel



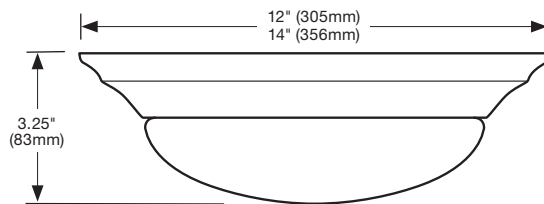
LED Module



12" Mahogany Bronze



14" Mahogany Bronze



Item	Description	W	Lm	Pack
62-786	12" - Brushed Nickel	18	1080	4
62-787	12" - Mahogany Bronze	18	1080	4
62-788	14" - Brushed Nickel	24	1440	4
62-789	14" - Mahogany Bronze	24	1440	4

*Consult Satco or visit www.satco.com for an up to date dimmer compatibility list. See warranty for details.

Product sheet NU1308

Specifications



Certifications



11" AND 13" FLUSH



Features:

- Available in Brushed Nickel or Mahogany Bronze with Frosted glass
- 5 Year warranty



13" Brushed Nickel

11" AND 13" FLUSH



11" Mahogany Bronze



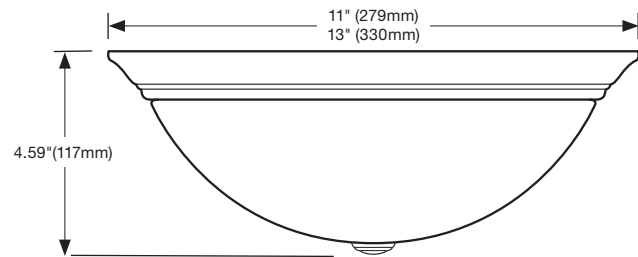
11" Brushed Nickel



13" Mahogany Bronze



LED Module



Item	Description	W	Lm	Pack
62-1340	11" Flush Mount - Brushed Nickel	16.5	1000	4
62-1341	11" Flush Mount - Mahogany Bronze	23.5	1400	4
62-1342	13" Flush Mount - Brushed Nickel	16.5	1000	4
62-1343	13" Flush Mount - Mahogany Bronze	23.5	1400	4

*Consult Satco or visit www.satco.com for an up to date dimmer compatibility list. See warranty for details.

Product sheet NU1308

Specifications



Certifications



INDOOR/OUTDOOR



Features:

- Rugged construction
- Die-cast aluminum body
- UV stabilized powder coated finish
- White or Black finish
- with Frosted glass
- 5 Year warranty



Oval Bulkhead White

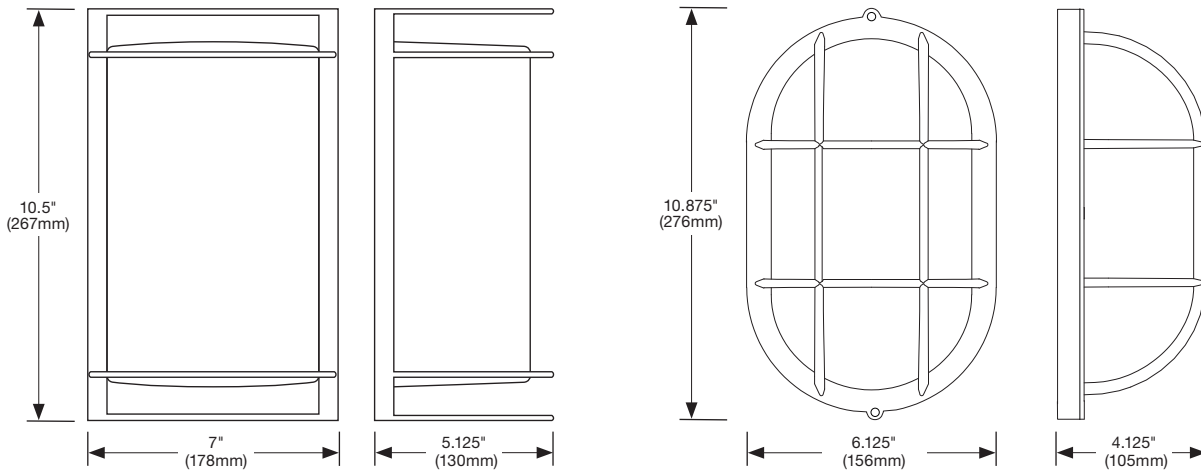
INDOOR/OUTDOOR



Rectangular Bulkhead Black



Oval Bulkhead Black



Item	Description	W	Lm	Pack
62-1410	Oval Bulkhead / White / Frosted Glass	18.5	1200	6
62-1411	Oval Bulkhead / Black / Frosted Glass	18.5	1110	6
62-1413	Rectangular Bulkhead / White / Frosted Glass	18.5	1110	6
62-1414	Rectangular Bulkhead / Black / Frosted Glass	18.5	1110	6

*Consult Satco or visit www.satco.com for an up to date dimmer compatibility list. See warranty for details.

Product sheet NU1545

Specifications

90 CRI
3000 K
120 VOLT

50,000 HOURS

Certifications

Efficiency Standards
T24 California Title 24
 Residential and
 Non-Residential
 Compliant

INDOOR/OUTDOOR



Features:

- Rugged construction
- Die-cast aluminum body
- UV stabilized powder coated finish
- White or Black finish
- 5 Year warranty



Spider Cage White

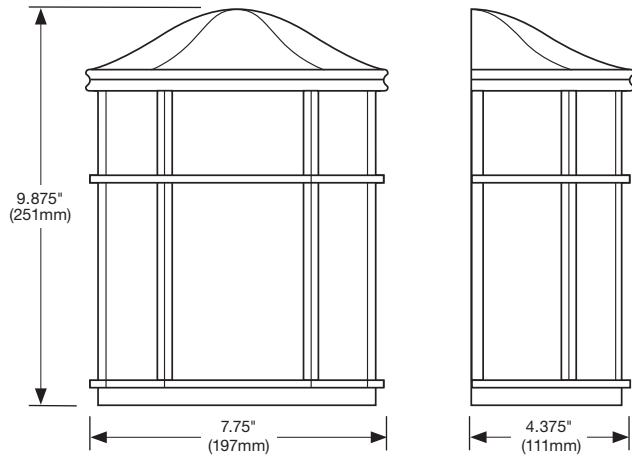
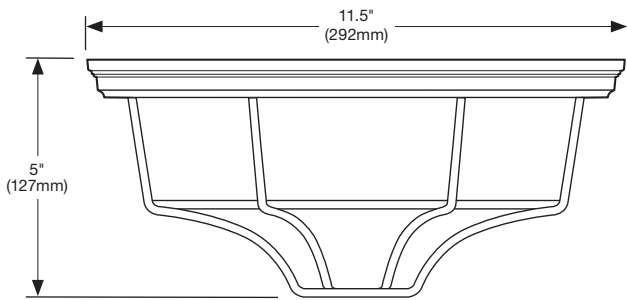
INDOOR/OUTDOOR



Spider Cage Black



Cage Lantern Black



Item	Description	W	Lm	Pack
62-1416	Cage Lantern / White / Frosted Acrylic	13.5	820	6
62-1417	Cage Lantern / Black / Frosted Acrylic	13.5	745	6
62-1419	Spider Cage / White / Frosted Glass	18.5	1110	4
62-1420	Spider Cage / Black / Frosted Glass	18.5	1110	4

*Consult Satco or visit www.satco.com for an up to date dimmer compatibility list. See warranty for details.

Product sheet NU1545

Specifications

90 CRI
3000 K
120 VOLT

50,000 HOURS

Certifications

Efficiency Standards
T24 California Title 24 Residential and Non-Residential Compliant

BLINK® LUXE SURFACE MOUNT



Features:

- Sleek design - Only 1" deep
- Dimmable*, 120V only
- Damp location
- 90 CRI
- 3000K
- ENERGY STAR
- T24 Compliant
- 50,000 Hours
- 5 Year limited warranty



BLINK® LUXE SURFACE MOUNT



13" Square, White



17" Round Brushed Nickel



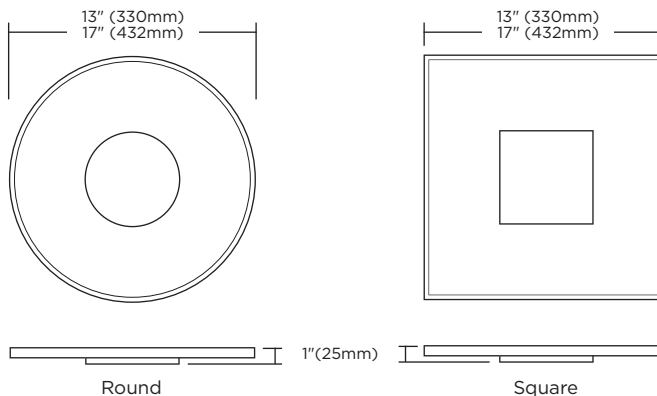
13" Round, Black



17" Square Polished Nickel



Remove decorative center cap for easy mounting to 3" or 4" J boxes

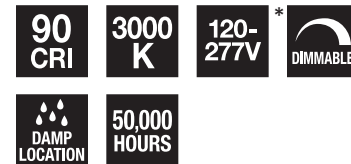


Item	Description	W	Lm	Pack
62-1515	13" Round - White	26	1600	6
62-1516	13" Round - Black	26	1600	6
62-1517	13" Round - Polished Nickel	26	1600	6
62-1518	13" Round - Brushed Nickel	26	1600	6
62-1519	13" Square - White	26	1600	6
62-1520	13" Square - Black	26	1600	6
62-1521	13" Square - Polished Nickel	26	1600	6
62-1522	13" Square - Brushed Nickel	26	1600	6
62-1523	17" Round - White	31.5	2200	4
62-1524	17" Round - Black	31.5	2200	4
62-1525	17" Round - Polished Nickel	31.5	2200	4
62-1526	17" Round - Brushed Nickel	31.5	2200	4
62-1527	17" Square - White	31.5	2200	4
62-1528	17" Square - Black	31.5	2200	4
62-1529	17" Square - Polished Nickel	31.5	2200	4
62-1530	17" Square - Brushed Nickel	31.5	2200	4

*Consult Satco or visit www.satco.com for an up to date dimmer compatibility list. See warranty for details.

Product sheet NU1611

Specifications



Certifications



BLINK PLUS SURFACE MOUNT



Features:

*Complies with NEC 410.16 (A)(3)
and NEC 410.16 (C)(5)

*Dimmable, 120V only

Ultra-low profile 1" deep
made for j-box installs

Unique quick-lock
mounting bracket

Mounts directly to 3"
and 4" junction boxes

White finish

100-277V, 50/60Hz

5 Year limited warranty

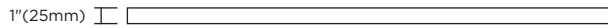
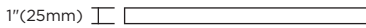
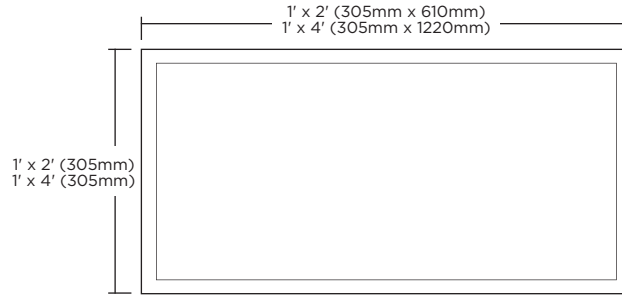
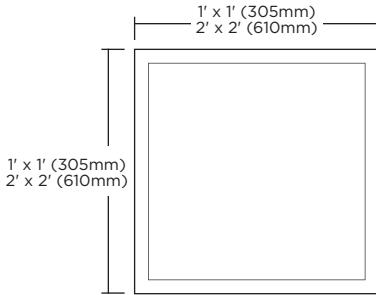


1' x 4' White

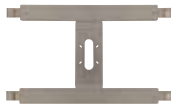
BLINK PLUS SURFACE MOUNT



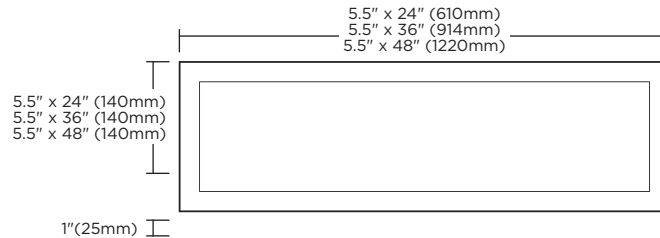
2' x 2' White



Quick-lock mounting bracket for 1'x1' fixtures.



Installation for 2' and longer fixtures is easy using the unique quick-lock mounting bracket.



Item	Description	W	CRI	CCT	Lm	Pack
80CRI						
62-1151†	1' x 1'	18	80	5000K	1600	6
62-1153	2' x 2'	45	80	5000K	4050	2
62-1152	1' x 2'	22	80	5000K	1900	4
62-1154	1' x 4'	45	80	5000K	4050	2
62-1155	5.5" x 24"	22	80	5000K	1870	6
62-1156	5.5" x 36"	30	80	5000K	2600	4
62-1157	5.5" x 48"	40	80	5000K	3300	4
90CRI						
62-1051†	1' x 1'	18	90	3000K	1300	6
62-1251†	1' x 1'	18	90	4000K	1365	6
62-1053	2' x 2'	45	90	3000K	3500	2
62-1253	2' x 2'	45	90	4000K	3675	2
62-1052	1' x 2'	22	90	3000K	1650	4
62-1252	1' x 2'	22	90	4000K	1735	4
62-1054	1' x 4'	45	90	3000K	3600	2
62-1254	1' x 4'	45	90	4000K	3780	2
62-1055	5.5" x 24"	22	90	3000K	1600	6
62-1056	5.5" x 36"	30	90	4000K	2100	4
62-1057	5.5" x 48"	40	90	3000K	2800	4
62-1255	5.5" x 24"	22	90	4000K	1680	6
62-1256	5.5" x 36"	30	90	3000K	2205	4
62-1257	5.5" x 48"	40	90	4000K	2940	4

Specifications



Certifications



†Consult Satco or visit www.satco.com for an up to date dimmer compatibility list. See warranty for details.

BLINK PLUS PROFILE SURFACE MOUNT



Features:

*Complies with NEC 410.16 (A)(3) and NEC 410.16 (C)(5)

*Dimmable, 120V only

Ultra-low profile 1" deep
made for j-box installs

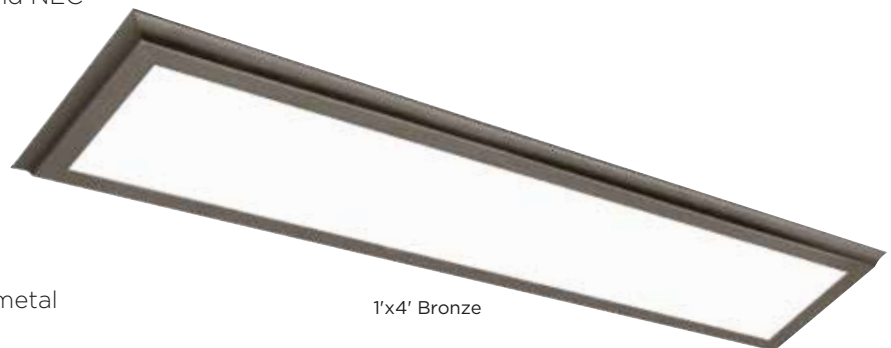
Unique quick-lock
mounting bracket

Mounts directly to 3" and
4" junction boxes

Available in White, Bronze and Gunmetal

100-277V, 50/60Hz

5 Year limited warranty

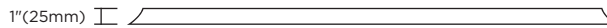
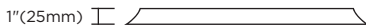
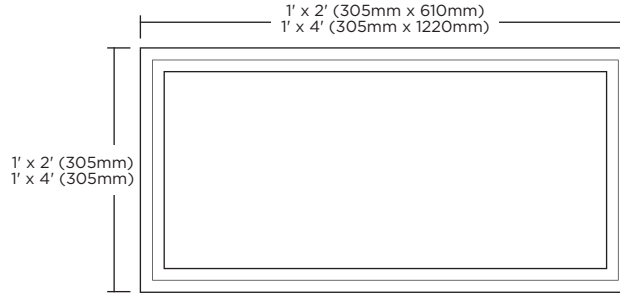
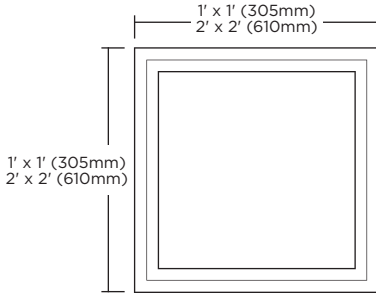


1'x4' Bronze

BLINK PLUS PROFILE SURFACE MOUNT



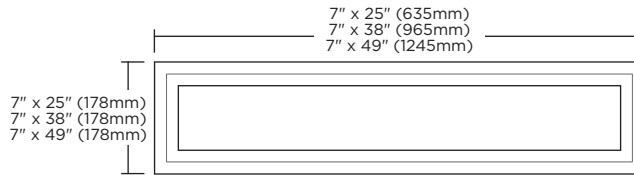
7" x 2' Gunmetal



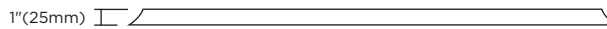
Quick-lock mounting bracket for 1'x1' fixtures.



Installation for 2' and longer fixtures is easy using the unique quick-lock mounting bracket.



7" x 25" (178mm)
7" x 38" (178mm)
7" x 49" (178mm)



Item	Description	W	CCT	Lm	Pack
62-1171†	1' x 1' - Gunmetal	18	3000K	1300	6
62-1172	1' x 2' - Gunmetal	22	3000K	1650	4
62-1173	2' x 2' - Gunmetal	45	3000K	3500	2
62-1174	1' x 4' - Gunmetal	45	3000K	3600	2
62-1175	7"X25" - Gunmetal	22	3000K	1600	6
62-1176	7"X38" - Gunmetal	30	3000K	2100	4
62-1177	7"X49" - Gunmetal	40	3000K	2800	4
62-1181†	1' x 1' - Bronze	18	3000K	1300	6
62-1182	1' x 2' - Bronze	22	3000K	1650	4
62-1183	2' x 2' - Bronze	45	3000K	3500	2
62-1184	1' x 4' - Bronze	45	3000K	3600	2
62-1185	7"X25" - Bronze	22	3000K	1600	6
62-1186	7"X38" - Bronze	30	3000K	2100	4
62-1187	7"X49" - Bronze	40	3000K	2800	4
62-1371†	1' x 1' - White	18	3000K	1300	6
62-1372	1' x 2' - White	22	3000K	1650	4
62-1373	2' x 2' - White	45	3000K	3500	2
62-1374	1' x 4' - White	45	3000K	3600	2
62-1375	7"X25" - White	22	3000K	1600	6
62-1376	7"X38" - White	30	3000K	2100	4
62-1377	7"X49" - White	40	3000K	2800	4
62-1381†	1' x 1' - White	18	4000K	1365	6
62-1382	1' x 1' - White	22	4000K	1735	4
62-1383	2' x 2' - White	45	4000K	3780	2
62-1384	2' x 2' - White	45	4000K	3780	2
62-1385	7"X25" - White	22	4000K	1680	6
62-1386	7"X38" - White	30	4000K	2205	4
62-1387	7"X49" - White	40	4000K	2940	4

Specifications



Certifications



*Consult Satco or visit www.satco.com for an up to date dimmer compatibility list. See warranty for details.

Product sheet SA2030-1

BLINK PLUS 15" AND 19" SURFACE MOUNT

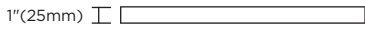
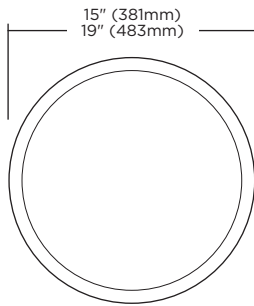


Features:

- Sleek design - Only 1" deep
- Dimmable, 120V only*
- Unique quick-lock mounting bracket
- Mounts directly to 3" and 4" junction boxes
- White finish
- 120-277V, 50/60Hz
- 5 Year limited warranty



BLINK PLUS 15" AND 19" SURFACE MOUNT



Quick-lock mounting bracket for Blink Plus 15" & 19" fixtures



62-1294
15" Suspension Kit (120V only)
Blink fixture sold separately



62-1295
19" Suspension Kit (120V only)
Blink fixture sold separately

Item	Description	W	CCT	Lm	Pack
62-1191	15" Round	26	3000K	2000	1
62-1291	15" Round	26	4000K	2100	1
62-1192	19" Round	30	3000K	2400	1
62-1292	19" Round	30	4000K	2520	1

Accessories

62-1294	Blink 15" pendant suspension kit, 3x12' suspension cables, 12' wire (120V use only)	6
62-1295	Blink 19" pendant suspension kit, 3x12' suspension cables, 12' wire (120V use only)	6

*Consult Satco or visit www.satco.com for an up to date dimmer compatibility list. See warranty for details.

Product sheet SA2030-1

Specifications

Certifications

BLINK 5.5" SURFACE MOUNT



Features:

Sleek design - Only 1" deep

†Complies with NEC 410.16 (A)(3)
and NEC 410.16 (C)(5)

Dimmable*

Mounts directly to 3" and 4"
junction boxes

Round available in White,
Brushed Nickel, Bronze, Black
and Polished Chrome

Square available in White,
Brushed Nickel, Bronze and Black

5 Year limited warranty



White

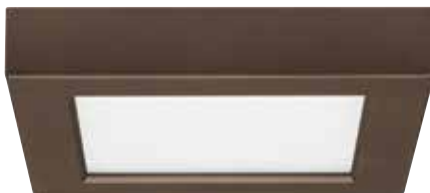
BLINK 5.5" SURFACE MOUNT



Polished Chrome



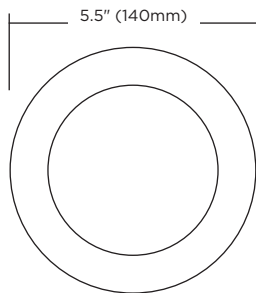
Brushed Nickel



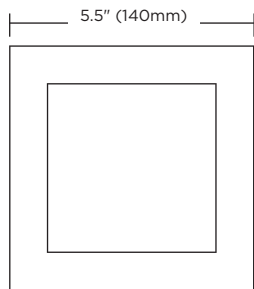
Bronze



Black



Round



Square

Item	Description	CRI	CCT	Lm	Pack
S29320†	5.5" Round - White	90	2700K	580	12
S29321†	5.5" Round - Brushed Nickel	90	2700K	580	12
S29322†	5.5" Round - Bronze	90	2700K	580	12
S29323†	5.5" Round - White	90	3000K	600	12
S29359†	5.5" Round - Brushed Nickel	90	3000K	600	12
S21500†	5.5" Round - Bronze	90	3000K	600	12
S21525†	5.5" Round - Polished Chrome	90	3000K	600	12
S21526†	5.5" Round - Black	90	3000K	600	12
S21501†	5.5" Round - White	90	4000K	600	12
S21502	5.5" Round - White	80	5000K	600	12
S21518	5.5" Round - Brushed Nickel	80	5000K	720	12
S29324†	5.5" Square - White	90	2700K	580	12
S29325†	5.5" Square - Brushed Nickel	90	2700K	580	12
S29326†	5.5" Square - Bronze	90	2700K	580	12
S29327†	5.5" Square - White	90	3000K	600	12
S21503†	5.5" Square - Brushed Nickel	90	3000K	600	12
S21504†	5.5" Square - Bronze	90	3000K	600	12
S21537†	5.5" Square - Black	90	3000K	600	12
S21505†	5.5" Square - White	90	4000K	600	12
S21506	5.5" Square - White	80	5000K	600	12
S21519	5.5" Square - Brushed Nickel	80	5000K	700	12

*Consult Satco or visit www.satco.com for an up to date dimmer compatibility list. See warranty for details.

Product sheet SA2030-1

Specifications

10.5 WATTS | 120 VOLT | DIMMABLE | WET LOCATION

50,000 HOURS

Certifications

ETL | ENERGY STAR | Efficiency Standards T24 California Title 24 Residential and Non-Residential Compliant

BLINK 7" SURFACE MOUNT



Features:

Sleek design - Only 1" deep

†Complies with NEC 410.16 (A)(3)
and NEC 410.16 (C)(5)

Dimmable*

Mounts directly to 3" and 4"
junction boxes

Round available in White,
Brushed Nickel, Bronze, Black and
Polished Chrome

Square available in White, Brushed
Nickel, Bronze and Black

5 Year limited warranty



White

BLINK 7" SURFACE MOUNT



Polished Chrome



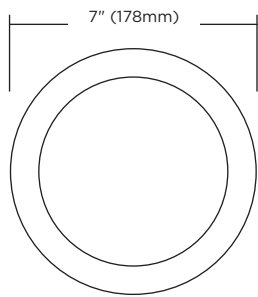
Brushed Nickel



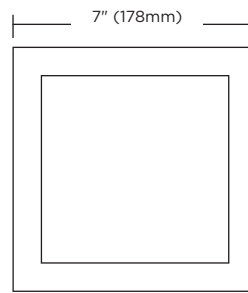
Black



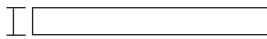
Bronze



Round



Square



Item	Description	V	CRI	CCT	Lm	Pack
S29328†	7" Round - White	120	90	2700K	800	12
S29329†	7" Round - Brushed Nickel	120	90	2700K	800	12
S29330†	7" Round - Bronze	120	90	2700K	800	12
S29331†	7" Round - White	120	90	3000K	820	12
S29349†	7" Round - Brushed Nickel	120	90	3000K	820	12
S21507†	7" Round - Bronze	120	90	3000K	820	12
S21527†	7" Round - Polished Chrome	120	90	3000K	820	12
S21528†	7" Round - Black	120	90	3000K	820	12
S29655†	7" Round - White	120	90	4000K	820	12
S29360	7" Round - White	120	80	5000K	900	12
S21520	7" Round - Brushed Nickel	120	80	5000K	900	12
S29332†	7" Square - White	120	90	2700K	780	12
S29333†	7" Square - Brushed Nickel	120	90	2700K	780	12
S29334†	7" Square - Bronze	120	90	2700K	780	12
S29335*†	7" Square - White	120	90	3000K	800	12
S21509†	7" Square - Brushed Nickel	120	90	3000K	800	12
S21510†	7" Square - Bronze	120	90	3000K	800	12
S21538†	7" Square - Black	120	90	3000K	800	12
S21511†	7" Square - White	120	90	4000K	800	12
S29361	7" Square - White	120	80	5000K	880	12
S21521	7" Square - Brushed Nickel	120	80	5000K	880	12
0-10V Dimming*						
S29367†	7" Round - White (0-10V Dimming)	120	90	3000K	820	12
S21508†	7" Round - White (0-10V Dimming)	120	90	4000K	820	12
277V						
S29357†	7" Round - White (277V)	277	90	3000K	820	12

*Consult Satco or visit www.satco.com for an up to date dimmer compatibility list. See warranty for details.

Product sheet SA2030-1

Specifications

Certifications

BLINK 9" SURFACE MOUNT



Features:

Sleek design - Only 1" deep

Dimmable*

Mounts directly to 3" and 4" junction boxes

Round available in White, Brushed Nickel, Bronze, Black and Polished Chrome

Square available in White, Brushed Nickel, Bronze and Black

5 Year limited warranty



White

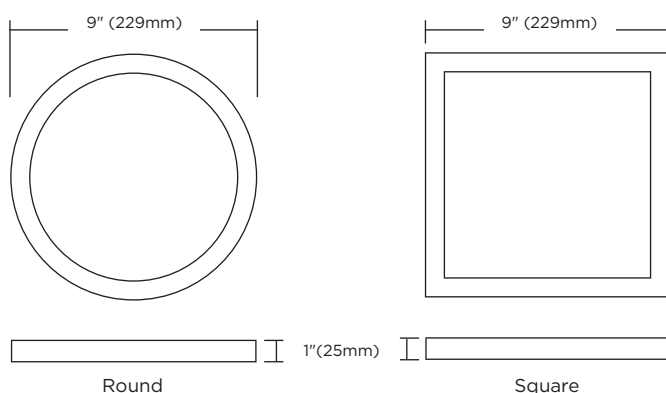
BLINK 9" SURFACE MOUNT



Black



Brushed Nickel



Round

Square

Item	Description	V	CRI	CCT	Lm	Pack
S29336	9" Round - White	120	90	2700K	1150	12
S29337	9" Round - Brushed Nickel	120	90	2700K	1150	12
S29338	9" Round - Bronze	120	90	2700K	1150	12
S29339	9" Round - White	120	90	3000K	1200	12
S29379	9" Round - Brushed Nickel	120	90	3000K	1200	12
S21512	9" Round - Bronze	120	90	3000K	1200	12
S21529	9" Round - Polished Chrome	120	90	3000K	1200	12
S21530	9" Round - Black	120	90	3000K	1200	12
S29690	9" Round - White	120	90	4000K	1200	12
S29362	9" Round - White	120	80	5000K	1300	12
S21522	9" Round - Brushed Nickel	120	80	5000K	1400	12
S29340	9" Square - White	120	90	2700K	1100	12
S29341	9" Square - Brushed Nickel	120	90	2700K	1100	12
S29342	9" Square - Bronze	120	90	2700K	1100	12
S29343	9" Square - White	120	90	3000K	1150	12
S21515	9" Square - Brushed Nickel	120	90	3000K	1150	12
S21516	9" Square - Bronze	120	90	3000K	1150	12
S21539	9" Square - Black	120	90	3000K	1150	12
S21517	9" Square - White	120	90	4000K	1200	12
S29363	9" Square - White	120	80	5000K	1350	12
0-10V Dimming*						
S21513	9" Round - White (0-10V Dimming)	120	90	3000K	1200	12
S21514	9" Round - White (0-10V Dimming)	120	90	4000K	1300	12
S29687	9" Square - White (0-10V Dimming)	120	90	3000K	1150	12
277V						
S29358	9" Round - White (277V)	277	90	3000K	1200	12

*Consult Satco or visit www.satco.com for an up to date dimmer compatibility list. See warranty for details.

Product sheet SA2030-1

Specifications



Certifications



BLINK 13" SURFACE MOUNT



Features:

- Sleek design - Only 1" deep
- Dimmable*
- Mounts directly to 3" and 4" junction boxes
- Available in White, Brushed Nickel, Bronze and Black
- 5 Year limited warranty



White

BLINK 13" SURFACE MOUNT



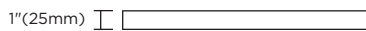
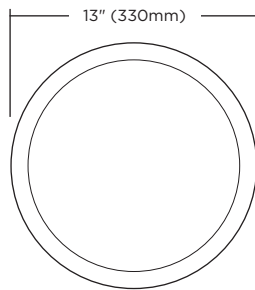
Brushed Nickel



Bronze



Black



Installation is easy using the twist & lock mounting bracket.

Item	Description	CRI	CCT	Lm	Pack
S29650	13" Round - White	90	3000K	1700	4
S29651	13" Round - Brushed Nickel	90	3000K	1700	4
S21541	13" Round - Bronze	90	3000K	1700	4
S29652	13" Round - White	90	3000K	1700	4
S29691	13" Round - White	90	4000K	1800	4

*Consult Satco or visit www.satco.com for an up to date dimmer compatibility list. See warranty for details.

Product sheet SA2030-1

Specifications

25 WATTS **90 CRI** **120 VOLT** **DIMMABLE**

WET LOCATION **50,000 HOURS**

Certifications

BLINK "ECO" 6" AND 8" SURFACE MOUNT



Features:

- Sleek design - Only 1" deep
- Lightweight polycarbonate housing
- Dimmable*
- Mounts directly to 3" and 4" junction boxes
- White finish
- 5 Year limited warranty

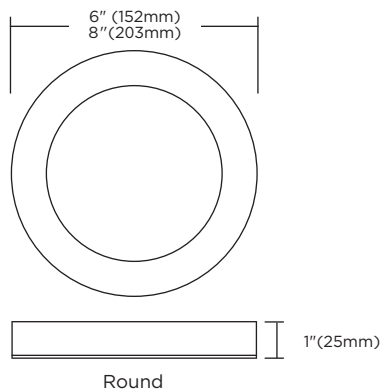


6" White

BLINK "ECO" 6" AND 8" SURFACE MOUNT



8" White



Item	Description	W	Lm	Pack
S9880	6" Round - White	12.5	690	12
S9881	8" Round - White	16.5	940	12

*Consult Satco or visit www.satco.com for an up to date dimmer compatibility list. See warranty for details.

Product sheet SA2030-1

Specifications

90 CRI
3000 K
120 VOLT
DIMMABLE

WET LOCATION
50,000 HOURS

Certifications

ETL
ENERGY STAR

BLINK SLIM 7" AND 9" SURFACE MOUNT



Features:

Ultra-thin 5/8" edge lit
flush mount fixture

Dimmable* 120V only

Mounts directly to 3" and 4"
junction boxes

Available in White, Brushed Nickel,
Polished Nickel and Bronze

5 Year limited warranty



9" Bronze

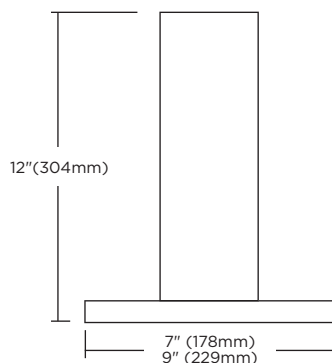
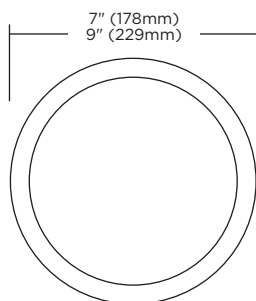
BLINK SLIM 7" AND 9" SURFACE MOUNT



7" Brushed Nickel



7" White



** Fixture sold separately



7" White

7" Bronze



9" Brushed Nickel

9" Polished Nickel

Item	Description	W	Lm	Pack
S9882	7" Round - White	12	960	12
S9883	7" Round - Brushed Nickel	12	960	12
S9884	7" Round - Polished Nickel	12	960	12
S9885	7" Round - Bronze	12	960	12
S9886	9" Round - White	16	1300	12
S9887	9" Round - Brushed Nickel	16	1300	12
S9888	9" Round - Polished Nickel	16	1300	12
S9889	9" Round - Bronze	16	1300	12
Accessories				
62-1301**	7" Pendant Kit - White (120V use only) - 12' Wire			12
62-1302**	9" Pendant Kit - White (120V use only) - 12' Wire			12
62-1303**	7" Pendant Kit - Bronze (120V use only) - 12' Wire			12
62-1304**	9" Pendant Kit - Bronze (120V use only) - 12' Wire			12
62-1305**	7" Pendant Kit - Brushed Nickel (120V use only) - 12' Wire			12
62-1306**	9" Pendant Kit - Brushed Nickel (120V use only) - 12' Wire			12
62-1307**	7" Pendant Kit - Polished Nickel (120V use only) - 12' Wire			12
62-1308**	9" Pendant Kit - Polished Nickel (120V use only) - 12' Wire			12

*Consult Satco or visit www.satco.com for an up to date dimmer compatibility list. See warranty for details.

Product sheet SA2030-1

Specifications



Certifications



BLINK RECTANGULAR 5" X 18" AND 7" X 18" SURFACE MOUNT



Features:

- Sleek design - Only 1" deep
- Complies with NEC 410.16(A)(3) and NEC 410.16(C)(5)
- Dimmable*
- White finish
- 5 Year limited warranty

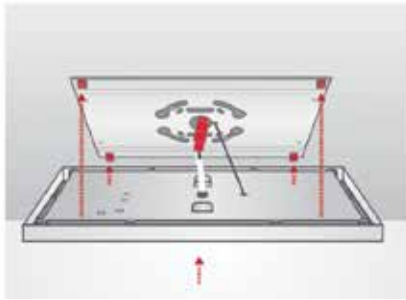


5" x 18"

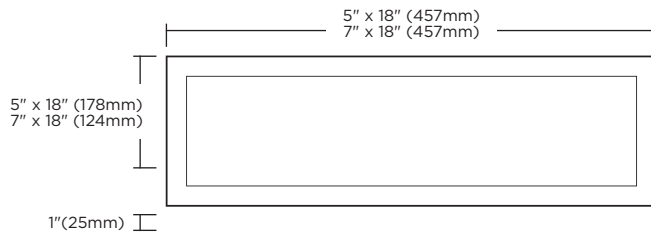
BLINK RECTANGULAR 5" X 18" AND 7" X 18" SURFACE MOUNT



7" x 18"



Push to lock fixture in place



Item	Description	W	Lm	Pack
S9368	5" x 18" - White	18	950	6
S9369	7" x 18" - White	24	1300	6

*Consult Satco or visit www.satco.com for an up to date dimmer compatibility list. See warranty for details.

Product sheet SA2030-1

Specifications



Certifications



BLINK BATTERY BACKUP MODULES



Features:

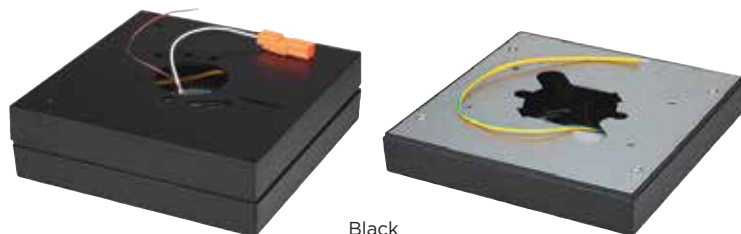
- 24 hour recharge time
- 90 minute operation from battery
- Switching time: < 1 second
- Over-charge / discharge protection
- Self-checking function
- Test button
- Fixtures sold separately
- 7" Round available in White, Brushed Nickel and Black.
- 7" Square available in White and Black. 9" available in White
- 5 Year limited warranty



BLINK BATTERY BACKUP MODULES



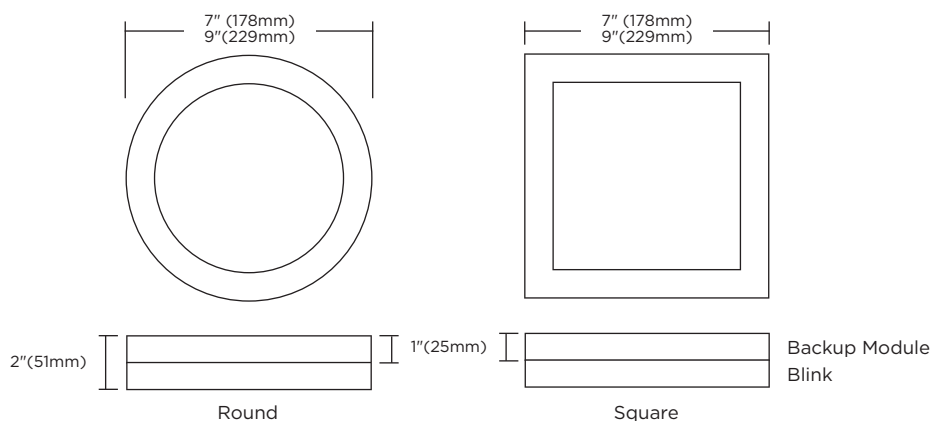
White



Black



Brushed Nickel



Item	Description	Pack
S29344	7" Round - White	12
S29346	7" Round Empty Casing* - White	12
S29653	7" Round - Brushed Nickel	12
S29654	7" Round Empty Casing* - Brushed Nickel	12
S21533	7" Round - Black	12
S21534	7" Round Empty Casing* - Black	12
S29345	7" Square - White	12
S29347	7" Square Empty Casing* - White	12
S21535	7" Square - Black	12
S21536	7" Square Empty Casing* - Black	12
S29656	9" Round - White	12
S29657	9" Round Empty Casing* - White	12
S29658	9" Square - White	12
S29659	9" Square Empty Casing* - White	12
Accessories		
25-9002	Replacement Battery - 3 Pack Wrapped Batteries	48

*Used to maintain consistent appearance with Blinks utilizing the battery back up. Battery backup module and Blink fixture sold separately. See warranty for details.

Product sheet SA2030-1

INDEX

Item	Page	Item	Page	Item	Page	Item	Page
25-4091	173	62-1095	163	62-1175	191	62-1266	153
25-9002	209	62-1096	163	62-1176	191	62-1267	153
60-673	141	62-1097	163	62-1177	191	62-1268	153
60-674	141	62-1098	163	62-1171	191	62-1291	193
60-675	141	62-1105	123	62-1181	191	62-1292	193
60-676	141	62-1106	123	62-1182	191	62-1294	193
60-677	141	62-1107	123	62-1183	191	62-1295	193
60-678	141	62-1108	123	62-1184	191	62-1301	205
60-679	141	62-1137	145	62-1185	191	62-1302	205
60-680	141	62-1138	145	62-1186	191	62-1303	205
62-458	177	62-1139	145	62-1187	191	62-1304	205
62-459	177	62-1141R1	147	62-1191	193	62-1305	205
62-460	177	62-1142R1	147	62-1192	193	62-1306	205
62-468	177	62-1143R1	147	62-1200	141	62-1307	205
62-469	177	62-1144R1	147	62-1201	141	62-1308	205
62-470	177	62-1145R1	147	62-1202	141	62-1310	153
62-786	179	62-1146R1	147	62-1203	141	62-1311	153
62-787	179	62-1147	145	62-1204	141	62-1312	153
62-788	179	62-1148	145	62-1205	141	62-1313	153
62-789	179	62-1149	145	62-1206	141	62-1340	181
62-791R1	159	62-1151	189	62-1207	141	62-1341	181
62-792R1	159	62-1152	189	62-1208	141	62-1342	181
62-795R1	157	62-1153	189	62-1210	155	62-1343	181
62-796R1	157	62-1154	189	62-1211	155	62-1371	191
62-797	161	62-1155	189	62-1212	155	62-1372	191
62-798	161	62-1156	189	62-1213	155	62-1373	191
62-927	69	62-1157	189	62-1251	189	62-1374	191
62-928	69	62-1161	151	62-1252	189	62-1375	191
62-1042	175	62-1162	151	62-1253	189	62-1376	191
62-1043	175	62-1163	151	62-1254	189	62-1377	191
62-1044	175	62-1164	151	62-1255	189	62-1381	191
62-1051	189	62-1165	151	62-1256	189	62-1382	191
62-1052	189	62-1166	151	62-1257	189	62-1383	191
62-1053	189	62-1167	151	62-1261R1	153	62-1384	191
62-1054	189	62-1168	151	62-1262R1	153	62-1385	191
62-1055	189	62-1172	191	62-1263R1	153	62-1386	191
62-1056	189	62-1173	191	62-1264R1	153	62-1387	191
62-1057	189	62-1174	191	62-1265	153	62-1410	183

INDEX

Item	Page	Item	Page	Item	Page	Item	Page
62-1411	183	62-1646	169	63-510	135	65-214	137
62-1413	183	62-1731	171	63-511	135	65-215	137
62-1414	183	62-1732	171	63-512	135	65-216	137
62-1416	185	62-1735	165	63-513	135	65-217	137
62-1417	185	62-1736	165	63-514	135	65-218	137
62-1419	185	62-1737	165	63-515	135	65-219	137
62-1420	185	62-1738	165	63-516	135	65-220	137
62-1442	175	62-1739	167	63-517	135	65-221	137
62-1443	175	62-1740	167	63-518	135	65-223	31
62-1444	175	62-1741	165	63-700	133	65-224	31
62-1515	187	62-1745	169	63-701	133	65-225	31
62-1516	187	62-2932	173	65-062	25	65-226	31
62-1517	187	62-2934	173	65-063	25	65-244	29
62-1518	187	62-2936	173	65-113	149	65-245	29
62-1519	187	63-101	131	65-114	149	65-265	23
62-1520	187	63-102	131	65-138	37	65-266	23
62-1521	187	63-103	131	65-139	37	65-267	23
62-1522	187	63-104	131	65-140	37	65-268	23
62-1523	187	63-201	131	65-141	37	65-269	23
62-1524	187	63-202	131	65-142	37	65-270	23
62-1525	187	63-203	131	65-143	37	65-401	143
62-1526	187	63-204	131	65-144	37	65-403	143
62-1527	187	63-301	133	65-145	37	65-405	143
62-1528	187	63-302	133	65-146	37	65-407	143
62-1529	187	63-303	133	65-147	37	65-409	143
62-1530	187	63-304	133	65-148	37	65-411	143
62-1631	171	63-305	133	65-149	37	65-421	75
62-1632	171	63-306	133	65-169	47	65-422	75
62-1633	171	63-307	133	65-170	47	65-423	75
62-1634	171	63-308	133	65-171	33	65-427	75
62-1635	165	63-309	133	65-172	33	65-428	75
62-1636	165	63-311	133	65-173	33	65-429	75
62-1637	165	63-314	133	65-199	47	65-430	75
62-1638	165	63-315	133	65-200	47	65-431	75
62-1639	167	63-501	135	65-210	137	65-432	75
62-1640	167	63-502	135	65-211	137	65-445	77
62-1641	165	63-503	135	65-212	137	65-446	77
62-1645	169	63-504	135	65-213	137	65-447	77

INDEX

Item	Page	Item	Page	Item	Page	Item	Page
65-451	77	65-587	71	65-644	51	65-707	53
65-452	77	65-588	71	65-645	51	65-708	53
65-453	77	65-589	71	65-646	51	65-710	139
65-454	77	65-590	71	65-647	51	65-711	139
65-455	77	65-591	71	65-648	51	65-712	139
65-456	77	65-592	71	65-650	51	65-713	139
65-497	49	65-593	71	65-651	51	65-714	139
65-498	49	65-595	71	65-652	51	65-715	139
65-499	49	65-596	71	65-653	51	65-716	139
65-500	49	65-597	71	65-655	19	65-717	139
65-501	49	65-598	71	65-656	19	65-718	139
65-502	49	65-599	71	65-671	17	65-719	139
65-503	49	65-600	71	65-672	17	65-720	139
65-504	49	65-604	41	65-673	17	65-721	139
65-505	49	65-605	41	65-674	15	65-750	21
65-506	49	65-606	41	65-675	15	65-751	21
65-507	49	65-609	41	65-676	15	65-752	21
65-508	49	65-610	41	65-677	13	65-755	11
65-531	39	65-613	41	65-678	13	65-756	11
65-532	39	65-615	41	65-679	13	65-757	11
65-533	39	65-616	41	65-680	13	65-758	11
65-534	39	65-617	41	65-681	27	65-759	47
65-535	39	65-618	41	65-682	27	65-760	11
65-536	39	65-619	41	65-683	27	65-761	11
65-537	39	65-620	41	65-684	27	65-763	47
65-538	39	65-623	35	65-685	27	65-764	47
65-539	39	65-624	35	65-686	27	65-765	47
65-571	71	65-625	35	65-687	27, 29	65-766	47
65-572	71	65-626	35	65-688	27	65-767	47
65-573	71	65-627	35	65-690	73	65-768	47
65-575	71	65-628	35	65-691	73	65-769	47
65-576	71	65-629	35	65-694	73	65-770	43
65-577	71	65-630	35	65-695	73	65-771	43
65-581	71	65-631	35	65-700	53	65-772	47
65-582	71	65-632	35	65-701	53	65-773	47
65-583	71	65-641	51	65-702	53	65-774	47
65-585	71	65-642	51	65-703	53	65-775	47
65-586	71	65-643	51	65-706	53	65-776	47

INDEX

Item	Page	Item	Page	Item	Page	Item	Page
65-777	47	65-824	61	65-1136	57	86-212	41
65-778	47	65-825	61	65-1142	57	86-213	35
65-779	47	65-826	61	65-1143	57	86-216	111
65-780	47	65-827	61	65-1145	57	86-218	47
65-781	45	65-828	63	65-1146	57	86-219	47
65-782	45	65-830	63	65-1152	57	S11618	107
65-783	45	65-831	63	65-1153	57	S11619	107
65-784	45	65-832	63	65-1155	57	S11620	107
65-785	45	65-833	63	65-1156	57	S11621	109
65-786	45	65-1081	65	76-640	141	S11622	109
65-787	45	65-1082	65	76-641	141	S11623	109
65-788	45	65-1083	65	76-665	141	S11624	107
65-789	47	65-1084	65	76-666	141	S11625	107
65-790	47	65-1091	65	80-942	107, 109	S11626	107
65-791	45	65-1092	65	80-943	107, 109	S11627	109
65-792	45	65-1095	65	80-944	107, 109	S11628	109
65-793	45	65-1096	65	80-945	107, 109, 111	S11629	109
65-794	45	65-1097	65	80-946	89, 95, 107, 111, 113	S11630	107
65-795	45	65-1098	65	80-947	91, 97, 101, 107, 111, 113	S11631	107
65-796	45	65-1100	67	80-948	93, 107, 111, 113	S11632	107
65-797	45	65-1101	67	80-949	107, 109, 111, 113	S11633	109
65-798	45	65-1102	67	80-950	89, 95, 99, 103	S11634	109
65-799	47	65-1103	67	80-951	91, 97, 10, 105	S11635	109
65-800	47	65-1104	67	80-953	93	S11700	103
65-801	45	65-1107	67	80-959	113, 115	S11701	103
65-802	45	65-1108	67	80-962	87	S11702	103
65-803	45	65-1112	67	80-963	87	S11703	103
65-804	45	65-1113	67	80-964	87	S11704	105
65-805	45	65-1118	55, 57	80-965	87	S11705	105
65-806	45	65-1119	55, 57	80-966	87	S11706	105
65-807	45	65-1122	55	80-970	113	S11707	105
65-808	45	65-1123	55	86-202	49, 53, 55, 57	S11708	99
65-809	47	65-1125	55	86-203	37	S11709	99
65-810	47	65-1126	55	86-204	37	S11710	99
65-820	61	65-1127	55, 57	86-205	13, 15, 17	S11711	99
65-821	61	65-1132	57	86-209	51	S11712	101
65-822	61	65-1133	57	86-210	51	S11713	101
65-823	61	65-1135	57	86-211	49, 51, 53, 55, 57	S11714	101

INDEX

Item	Page	Item	Page	Item	Page	Item	Page
S11715	101	S21507	197	S29324	195	S29654	209
S11716	93	S21508	197	S29325	195	S29655	197
S11717	93	S21509	197	S29326	195	S29656	209
S11718	93	S21510	197	S29327	195	S29657	209
S11719	93	S21511	197	S29328	197	S29658	209
S11720	87	S21512	199	S29329	197	S29659	209
S11721	87	S21513	199	S29330	197	S29687	199
S11722	87	S21514	199	S29331	197	S29690	199
S11723	87	S21515	199	S29332	197	S29691	201
S11724	87	S21516	199	S29333	197	S39011	95
S11800	79	S21517	199	S29334	197	S39012	95
S11801	79	S21518	195	S29335	197	S39013	95
S11810	113	S21519	195	S29336	199	S39021	95
S11811	113	S21520	197	S29337	199	S39026	97
S11812	113	S21521	197	S29338	199	S39027	97
S11813	113	S21522	199	S29339	199	S39028	97
S11814	113	S21525	195	S29340	199	S39029	97
S11815	113	S21526	195	S29341	199	S39055	91
S11816	113	S21527	197	S29342	199	S39056	91
S11817	113	S21528	197	S29343	199	S39057	91
S11820	79	S21529	199	S29344	209	S39058	91
S11821	79	S21530	199	S29345	209	S39059	89
S11822	79	S21533	209	S29346	209	S39061	89
S11824	79	S21534	209	S29347	209	S39062	89
S11825	79	S21535	209	S29349	197	S39063	89
S11826	111	S21536	209	S29357	197	S8003	113, 115
S11827	111	S21537	195	S29358	199	S9368	207
S11828	111	S21538	197	S29359	195	S9369	207
S11829	111	S21539	199	S29360	197	S9538	85
S11830	111	S21541	201	S29361	197	S9539	85
S11831	111	S29312	81	S29362	199	S9540	85
S21500	195	S29313	81	S29363	199	S9541	85
S21501	195	S29314	81	S29367	197	S9598	83
S21502	195	S29315	81	S29379	199	S9599	83
S21503	195	S29320	195	S29650	201	S9880	203
S21504	195	S29321	195	S29651	201	S9881	203
S21505	195	S29322	195	S29652	201	S9882	205
S21506	195	S29323	195	S29653	209	S9883	205

INDEX

Item	Page	Item	Page	Item	Page	Item	Page
S9884	205	TH453	121	TH502	125	TL114	129
S9885	205	TH454	121	TH503	125	TL115	129
S9886	205	TH455	121	TH504	125	TL116	129
S9887	205	TH457	121	TH505	125	TP144	129
S9888	205	TH461	117	TH506	125	TP145	129
S9889	205	TH462	117	TH507	125	TP146	129
TH401	121	TH463	117	TH601	128	TP147	129
TH402	121	TH464	117	TH602	128	TP148	129
TH403	121	TH465	117	TH603	128	TP149	129
TH404	121	TH467	117	TH604	128	TP150	129
TH405	121	TH471	121	TH611	128	TP151	129
TH407	121	TH472	121	TH612	128	TP152	129
TH411	119	TH473	121	TH613	128	TP153	129
TH412	119	TH474	121	TH614	128	TP154	129
TH413	119	TH475	121	TH621	128	TP155	129
TH414	119	TH477	121	TH622	128	TP167	129
TH415	119	TH480	117	TH623	128	TP168	129
TH417	119	TH481	117	TH624	128	TP169	129
TH421	119	TH482	117	TK403	127	TP170	129
TH422	119	TH483	117	TK404	127	TP171	129
TH423	119	TH484	117	TK407	127	TP172	129
TH424	119	TH485	117	TK413	127	TR118	129
TH425	119	TH486	117	TK414	127	TR119	129
TH427	119	TH487	117	TK417	127	TR120	129
TH431	121	TH488	119	TK423	127	TR121	129
TH432	121	TH489	119	TK424	127	TR122	129
TH433	121	TH490	119	TK427	127	TR123	129
TH434	121	TH491	119	TL100	129	TR124	129
TH435	121	TH492	119	TL101	129	TR125	129
TH437	121	TH493	119	TL102	129	TR126	129
TH441	117	TH494	119	TL103	129	TR127	129
TH442	117	TH495	119	TL104	129	TR128	129
TH443	117	TH496	119	TL105	129	TR129	129
TH444	117	TH497	119	TL106	129		
TH445	117	TH498	119	TL110	129		
TH447	117	TH499	119	TL111	129		
TH451	121	TH500	125	TL112	129		
TH452	121	TH501	125	TL113	129		



To learn more about Satco | Nuvo,
visit satco.com or contact 800-437-2826.

DISTRIBUTION CENTERS

New York (Headquarters)

110 Heartland Blvd., Brentwood, NY 11717
Tel. 631-243-2022, Fax: 631-243-2027

Texas

2000 Valwood Parkway, Farmers Branch, TX 75234
Tel. 972-247-2437, Fax: 972-247-5408

Florida

900 N.W. 159th Drive, Miami, FL 33109
Tel. 305-624-2044, Fax: 305-623-0286

California

31288 San Benito Street, Hayward, CA 94544
Tel. 510-487-4822, Fax: 510-487-8955

Washington

4710 116th S.W., Mukilteo, WA 98275
Tel. 425-789-3300, Fax: 425-789-3310

Puerto Rico

Campeche Street. 23 Julio
N. Matos Industrial Park, Carolina, PR 00984
Tel. 787-757-3510, Fax: 787-757-3540

Products inventoried in Canada & Mexico:

Contact: internationalsales@satco.com
631-243-2022 Ext. 315