



## JRHBE Round High Bay

Microwave Occupancy Sensor  
Field Installed Option



### Product Description

The Jademar JRHBE High-Bay luminaire is designed to deliver high efficacy, high lumen packages and precise optical control to illuminate the most challenging applications.

Standard LED Technology offers 70+CRI solution to enhance products at all levels of commercial and industrial uses requiring the best option in color rendering.

The JRHBE High Efficacy High-Bay luminaire offers several industry standard mounting options allowing the product to be positioned for upgrade opportunities or new installations in a wide range of industrial applications.

### Features

- Great Glare Control with Fresnel Lens and Uniform Light Distribution
- Higher Efficiency With Proprietary Optic Design
- Powder Coated Aluminum Cast Profile
- Color Rendering 80CRI Standard (90 CRI Special Order)
- By-level OCC sensor installed on the side of the fixture, comes with external housing and hand held remote control option.
- Corrosion Resistant with 168 Hours of Salt Spray Testing per ASTM-B117-73 standards.

### Applications

- Warehouses
- Indoor Sport Facilities
- Manufacturing Plants
- Food Handling Facilities
- Car Washes
- Indoor and Outdoor Canopy Apps

### Mounting Options

- Surface Mount with Included Trunion and Eye-Hook
- Chain Mount (optional)\*
- Pendant Mount (Optional)\*

\* Contact sales for additional mounting options.

### Certifications

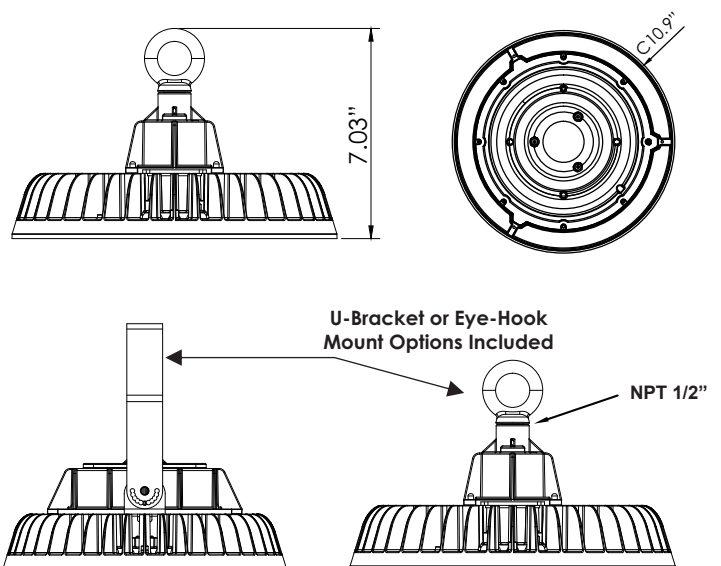
- ETL / DLC Listed
- IK10 Impact Resistant Rating
- IP65 Rated (Dust and Waterproof)



### Performance Summary

<b>Input Power:</b>	50W / 100W / 150W / 230W
<b>Efficacy:</b>	135 Lms/W on average
<b>CCT:</b>	4000K / 5000K
<b>CRI:</b>	CRI: >80
<b>Input Voltage:</b>	100-277VAC
<b>Dimming</b>	0-10V PWM VR Dimming
<b>Surge Protection:</b>	6kV
<b>Lifetime based on TM21:</b>	L70 ≥161,000 Hrs / L80 ≥107,000 Hrs / L90 ≥57,000 Hrs
<b>Warranty:</b>	10 Years

### Product Dimensions



## SPECIFICATION SUBMITTAL DETAIL

Project Name/Type:		Date:
Catalog/Part #:		

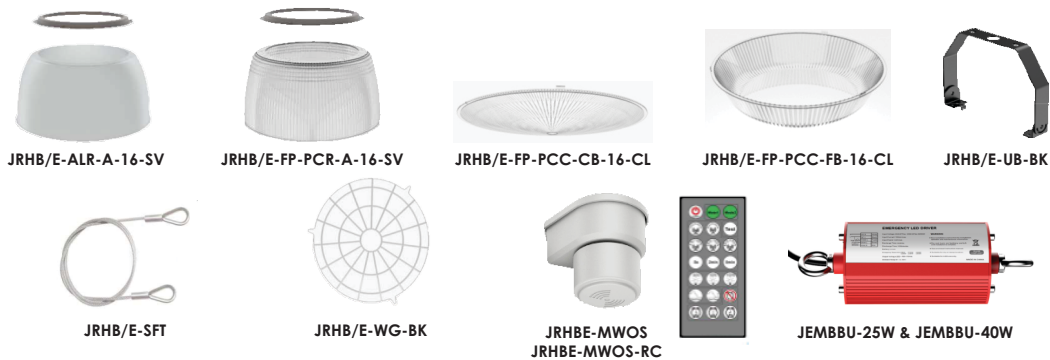
### JRHBE Round High Bay Series

ORDERING INFORMATION / Example: **JRHBE-50W-50K-90D-BK-PWC3-WH**

Product Series	Input Voltage	CCT	Controls & Dimming	Beam Angles	Mounting Options	Finish	Power Cord Options
JRHBE-50W JRHB-100W JRHB-150W JRHB-230W	Blank (100-277VAC) Standard	40K (4000K) 50K (5000K)	Blank (0-10VAC Dimmable Driver)	Blank (120° PC Fresnel Lens) 90 (90°)	Blank (Eye Hook & 1/2" Pendant Mount) Standard	BK (Black) Standard  WH (White) Special Order	Blank (Power & Dimming Cord - 18" Standard) <b>PWC6</b> (Power & Dimming Cord - 6' Option) <b>PWC9</b> (Power & Dimming Cord - 9' Option)

### Field Installed Options

JRHB/E-ALR-A-16-SV	16" Silver Aluminum Reflector & Adaptor for 150 and 230 watts only	JRHB/E-WG-BK	Wire Guard for 100, 150, 230 Watts only
JRHB/E-FP-PCR-A-16-CL	16" PC reflector for 150 and 230 watts only	JRHB/E-SFT	Safety Tether
JRHB/E-FP-PCC-CB-16-CL	Cone PC Bottom for 150 and 230 watts only	JRHBE-MWOS	Microwave OCC sensor (For Installation on the side of the fixture)
JRHB/E-FP-PCC-FB-16-CL	Flat PC Bottom for 150 and 230 watts only	JEMBBU-25W	External Field Installed Li-on EM Pack (25W) w/Wireless Remote Test Option
JRHB/E-UB-BK	Surface Mount Bracket/Yoke	JEMBBU-40W	External Field Installed Li-on EM Pack (40W) w/Wireless Remote Test Option



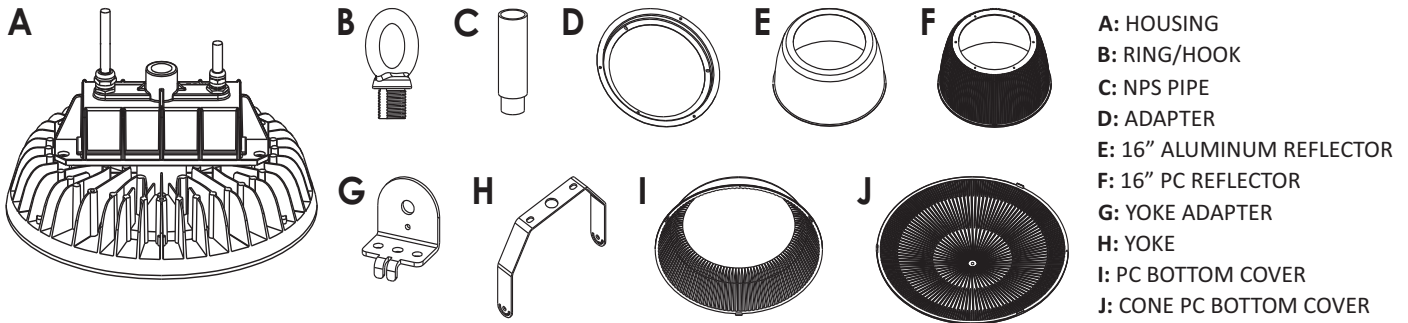
### Electrical & Performance Data Table

Product Number	JRHBE-50W	JRHBE-100W	JRHBE-150W	JRHBE-230W
Maximum Dimensions	Ø 9.0" x 6-5/8"	Ø 9.0" x 6-5/8"	Ø 10-7/8" x 7-1/8"	Ø 13-1/2" x 7-3/4"
Nominal watts	50W	100W	150W	230W
Average Nominal Efficacy	138	140	135	137
Average Lumen Output	6,900	14,000	20,250	31,510
Input Voltage	100-277VAC			
CCT	4000K / 5000K			
CRI	≤84.4			
THD @ 120VAC	≤15%			
Power Factor	≥0.959			
BUG Rating	B4-U0-G3			
Controls	0-10V PWM VR Dimming (standard) with Motion Sensor Option			
Construction	Alluminum Die Cast Housing and Bracket / Powder Coat Finish / Tempered Glass Lens			
Beam Angle/Field Angle	90° X 90° or 120° X 120°			
Lifetime Based on TM21	L70 ≥161,000 Hrs / L80 ≥107,000 Hrs / L90 ≥57,000 Hrs			
Ambient Working Temp	-40°C to +40°C Ambient			
Certifications	UL / DLC Listed and IP65 and IK10 Rated			
Limited Warranty	10 Yrs			

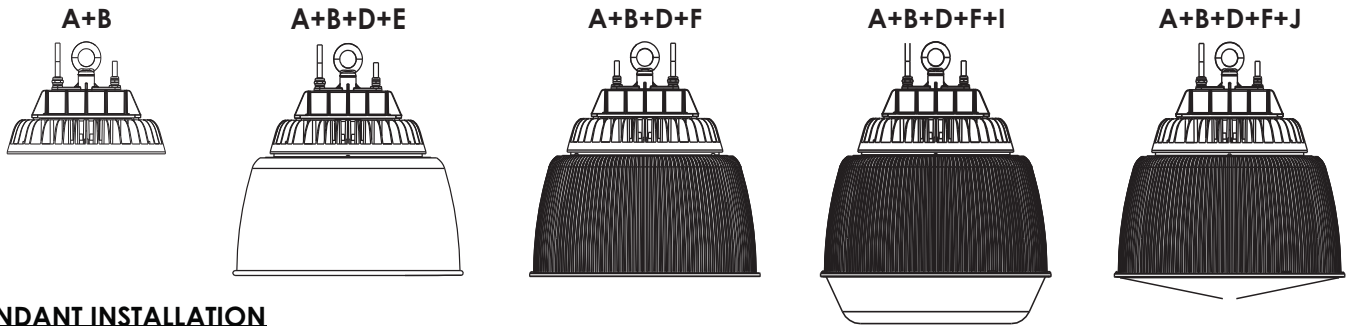


# JADEMAR LIGHTING JRHBE Round High Bay

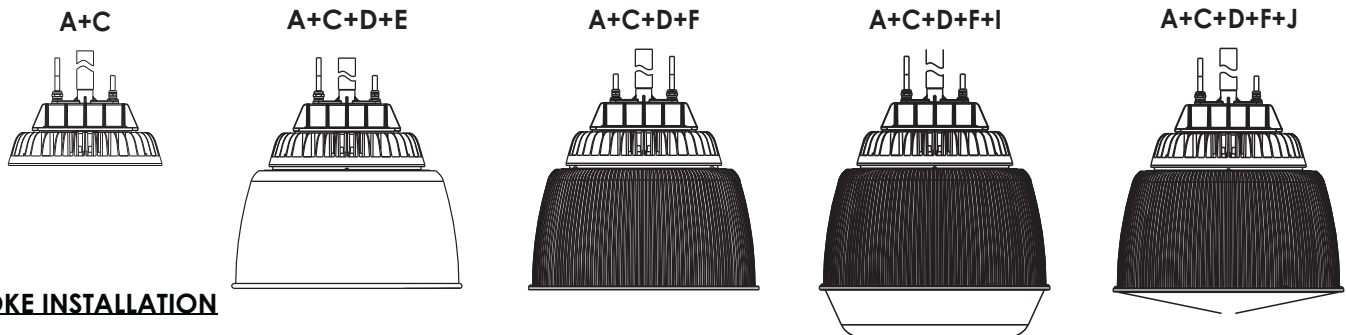
## MOUNTING OPTIONS



## HOOK INSTALLATION



## PENDANT INSTALLATION



## YOKE INSTALLATION

