

Project		Catalog #		Type	
Prepared by		Notes		Date	



Lumark AP

LSF Selectable Flood Series

Floodlight Luminaire

Product Features



Product Certifications



Interactive Menu

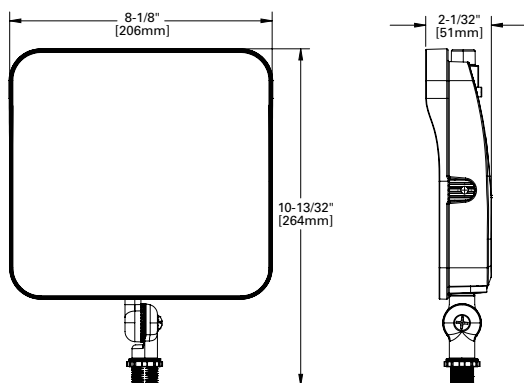
- Ordering Information [page 2](#)
- Product Specifications [page 2](#)
- Mounting Details [page 3](#)
- Energy and Performance Data [page 4](#)

Quick Facts

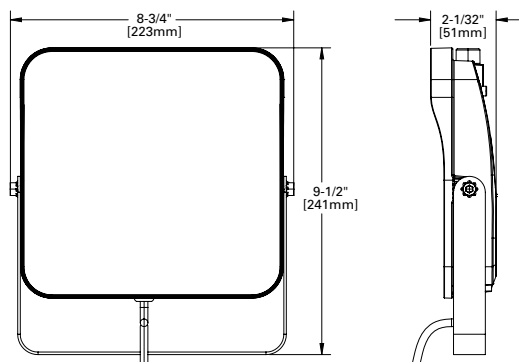
- Available in 3 housing sizes and multiple lumen packages
- Available in selectable CCT and selectable lumens
- Up to 161 lumens per watt
- Lumen packages ranging from 1,700-20,000 lumens
- Replaces 150W-470W HID

Dimensional Details

Knuckle Mount



Yoke Mount



Stock Ordering Information

Stock Sample Number: LSF25-KN-PC

Model Number	Lumens/Wattage	CCT Selectable	Voltage	Controls
LSF25-KN-PC	Selectable Lumens: 1700-2500-3500-4000 / 11-15-22-25W	3000K-4000K-5000K / 70 CRI	120-347V, 50-60 Hz	Dusk-to-Dawn via button-type photocontrol. Cap to disengage included in parts bag.
LSF65-KN-PC	Selectable Lumens: 5000-6500-8000-10,000 / 25-35-45-65W			
LSF120-SF-PC	Selectable Lumens: 9000-12,000-15,000-20,000 / 50-70-90-120W			
LSF25-YK-PC	Selectable Lumens: 1700-2500-3500-4000 / 11-15-22-25W			
LSF65-YK-PC	Selectable Lumens: 5000-6500-8000-10,000 / 25-35-45-65W			
LSF120-TR-PC	Selectable Lumens: 9000-12,000-15,000-20,000 / 50-70-90-120W			

Product Specifications

Construction

- Die-cast aluminum housing
- Durable surface powder coating spray
- Fully sealed tempered glass

Controls

- Selectable configurations offer internal toggle switches for adjusting luminaire CCT and lumens.
- Default settings for selectable luminaires are 5000K CCT and maximum lumen output.
- Integrated button-type photocontrol is included for dusk-to-dawn operation.
- Photocontrol can be field-adjusted via toggle switches to modify the settings. The default setting for the photocontrol is enabled.
- To disable the photocontrol, place the provided cap over the sensor.

Electrical

- -40°C minimum operating temperature
- 40°C maximum operating temperature
- >.9 power factor
- <20% total harmonic distortion
- Class 2 driver incorporates internal fusing designed to withstand 4kV surge
- 0-10V dimming driver standard

Mounting

- Knuckle
- Slipfitter
- Trunnion
- Yoke

Finish

- Bronze

Typical Applications

- Facade
- Wall washing
- Landscape lighting
- Building lighting
- Sign lighting
- Commercial lighting

Shipping Data

- LSF25: 6.8x5.8x1.9 in
12 units/carton
Approx weight per carton: 27 lbs
- LSF65: 8.1x7.7x2.1 in
6 units/carton
Approx weight per carton: 23 lbs
- LSF120: 10.4x11.3x3.3 in
1 unit/carton
Approx weight per carton: 12.5 lbs

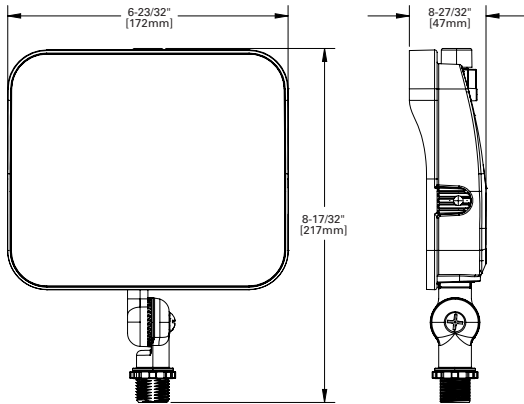
Warranty

- Standard five-year warranty

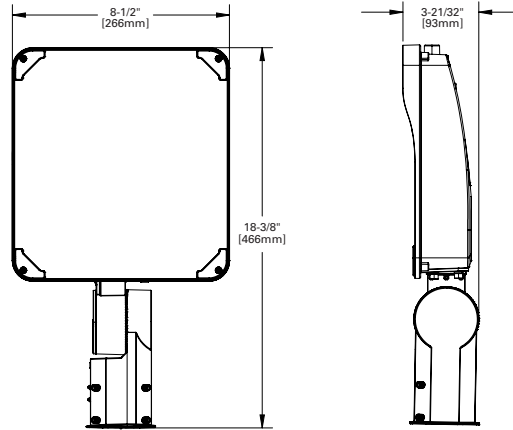
Mounting Details

Mounting Types

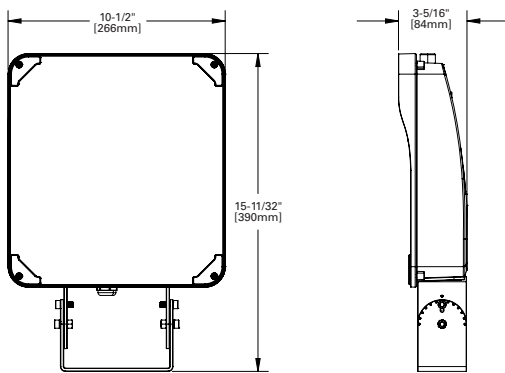
Knuckle Mount



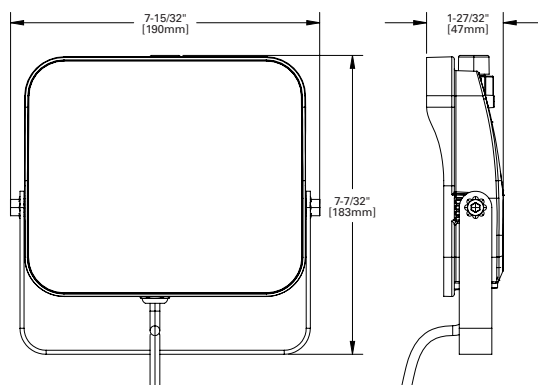
Slipfitter Mount



Trunnion Mount

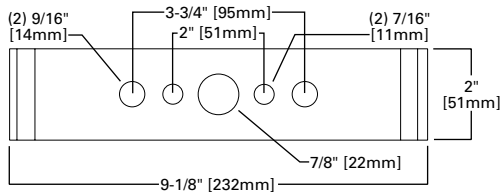


Yoke Mount

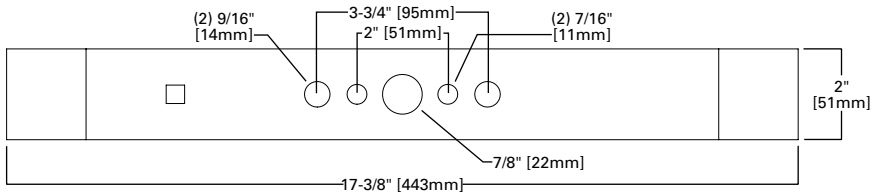


Drilling Patterns

Trunnion Mount



Yoke Mount



Energy and Performance Data

Power and Lumens (LSF25 Selectable)

Light Engine		Set to 11W	Set to 15W	Set to 22W	Set to 25W
Switch setting					
Power (Watts)		11	15	22.9	27.7
Input Current @120V (A)		0.09	0.13	0.19	0.23
Input Current @277 (A)		0.04	0.05	0.08	0.10
Input Current @347V (A)		0.03	0.04	0.07	0.08
Performance					
3000K	Lumens	1,718	2,502	3,321	3,783
	Lumens per Watt	156.0	154.2	144.8	136.5
4000K	Lumens	1,777	2,627	3,533	4,115
	Lumens per Watt	162.0	175.1	154.0	148.5
5000K	Lumens	1,746	2,545	3,370	3,883
	Lumens per Watt	158.7	169.7	146.9	140.1

Power and Lumens (LSF65 Selectable)

Light Engine		Set to 25W	Set to 35W	Set to 45W	Set to 65W
Switch setting					
Power (Watts)		27.2	37	47.5	63.1
Input Current @120V (A)		0.23	0.31	0.40	0.53
Input Current @277 (A)		0.10	0.13	0.17	0.23
Input Current @347V (A)		0.08	0.11	0.14	0.18
Performance					
3000K	Lumens	4,687	6,128	7,538	9,454
	Lumens per Watt	172.3	165.6	158.7	149.8
4000K	Lumens	4,925	6,449	8,053	10,324
	Lumens per Watt	181.1	174.3	169.5	163.6
5000K	Lumens	4,779	6,273	7,739	9,747
	Lumens per Watt	175.7	169.5	162.9	154.5

Power and Lumens (LSF120 Selectable)

Light Engine		Set to 50W	Set to 70W	Set to 90W	Set to 120W
Switch setting					
Power (Watts)		50	69.4	90.7	125
Input Current @120V (A)		0.42	0.58	0.76	1.04
Input Current @277 (A)		0.18	0.25	0.33	0.45
Input Current @347V (A)		0.14	0.20	0.26	0.36
Performance					
3000K	Lumens	8,692	11,613	14,505	18,595
	Lumens per Watt	173.8	167.3	159.9	148.8
4000K	Lumens	9,027	12,338	15,487	20,220
	Lumens per Watt	180.5	177.8	170.7	161.8
5000K	Lumens	8,820	11,911	14,791	19,015
	Lumens per Watt	176.4	171.6	163.1	152.1

EPA Data

Catalog #	0°	10°	20°	30°	40°	50°	60°	70°	80°	90°
LSF25-KN-PC	0.0910	0.0950	0.1339	0.1712	0.2036	0.2323	0.2539	0.2730	0.2842	0.2891
LSF65-KN-PC	0.1173	0.1326	0.1976	0.2587	0.3139	0.3610	0.3981	0.4287	0.4462	0.4517
LSF120-SF-PC	0.3352	0.3352	0.4506	0.5745	0.6844	0.7759	0.8469	0.8984	0.9402	0.9680

Lumen Maintenance

Configuration	Ambient Temperature	TM-21 Lumen Maintenance (50,000 hrs)	Reported L70 (hrs)
Up to 25W	25°C	82.80%	>72,000
Up to 65W	25°C	86.50%	>72,000
Up to 120W	25°C	86.50%	>72,000

Configuration	Ambient Temperature	TM-21 Lumen Maintenance (50,000 hrs)	Reported L70 (hrs)
Up to 25W	40°C	86.50%	>72,000
Up to 65W	40°C	83.80%	>72,000
Up to 120W	40°C	83.20%	>72,000

CCT Temperature	Lumen Multiplier
3000K	1.0000
4000K	1.0672
5000K	1.0340