

JADEMAR[®]

I G H T I N G

JRHB-CPS & JRHB-PS SERIES

CCT & POWER SELECTABLE

ROUND HIGH BAY

PRODUCT DESCRIPTION

The Jademar JRHB-CPS Round High-Bay luminaire is designed to deliver high efficacy, high lumen packages and precise optical control to illuminate the most challenging applications. Equipped with multiple CCT and Power options in the same fixture. Standard LED Technology offers 80+CRI solution to enhance products at all levels of commercial and industrial uses requiring the best option in color.

The JRHB-CPS High Efficacy High-Bay luminaire offers several industry standard mounting options allowing the product to be positioned for upgrade opportunities or new installations in a wide range of industrial applications.

STANDARD FEATURES

Construction and Materials

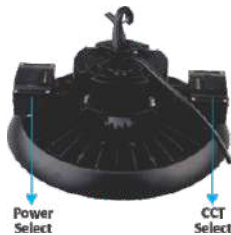
- Aluminum Alloy Housing and Polycarbonate Diffused Lens
- Eye-Hook Pendant Mount

Optical System

- 120° Light Distribution

Electrical System

- Power Selectable Primary Input Power: 150W / 240W
- Input Voltage: 120-277VAC
- CCT: Selectable 3000K / 4000K / 5000K
- Efficacy: 160 lm/W on average
- Power Factor: >0.9
- CRI: >80
- Operating Temp: -40°C to +55°C (-40°F to +131°F), With Sensor: -30°C to +55°C (-22°F to +131°F), With Emergency Power: 0°C to +55°C (32°F to +131°F)
- Total Harmonic Distortion: 10%
- Integral Surge Protection: L/N-PE: 6kV, L-N: 6kV



Dimming and Controls

- 0-10VDC Continuous Dimming Standard

Certifications and Compliance

- UL and DLC Listed
- Ingress Protection: IP65 for Wet Locations
- RoHS compliant.
- Meets FCC Part 15, Subpart B, Class A limits for conducted and radiated Emissions
- **Lifetime Based on TM21:** L70 ≥ 174,000 / L80 ≥ 129,000 / L90 ≥ 81,000 Hrs

OPTIONAL FEATURES

- Remote Controlled Plug and Play Microwave Bi-Level Motion Sensor
- Bluetooth Indoor Controls System managed with the Jademar BT Local App
- Emergency Battery Backup 15W or 20W Option
- 20KV Surge Protection Device Optional
- Mounting Options: U-Bracket Mount
- Additional Power Cord Lengths
- 3-Pin 277VAC Nema power Plug
- 1/2" and 3/4" Junction Box



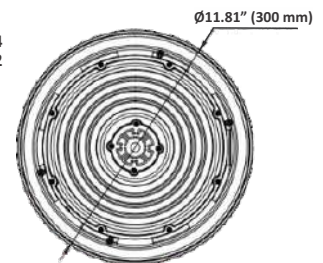
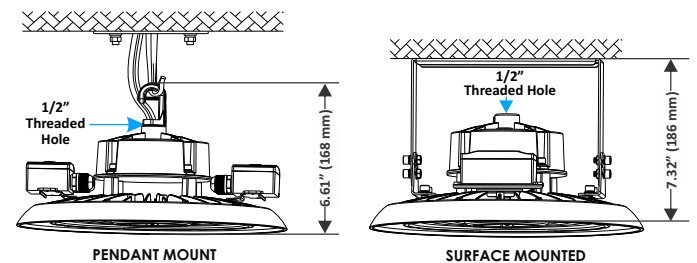
Optional Remote Controlled Bi-Level Microwave Occupancy Sensor



PERFORMANCE SUMMARY

Primary Input Power	150W Model (150W / 120W / 90W) 240W Model (240W / 210W / 180W)
Average Efficacy	up to 160 lm/W
CCT Options	CCT Selectable 3000K / 4000K / 5000K (120-277V) CCT Static: 4000K / 4500K / 5000K / 5700K (277-480V)
Input Voltage	120-277VAC / 277-480VAC Optional
Controls Dimming	0-10VDC Continuous Dimming Standard, Bi-Level Microwave Occupancy Sensor Optional
CRI	>80 Standard
Ingress Protection	IP65 for Wet Locations
Certifications & Compliance	RoHS, FCC, UL & DLC Listed
Lifetime Based on TM21	L70 ≥ 174,000 Hrs / L80 ≥ 129,000 Hrs / L90 ≥ 81,000 Hrs
Limited Warranty	10 Years

PRODUCT DIMENSIONS



Miami, FL USA - info@jademar.com
T: 305.640.0465 - F: 305.640.0468
WWW.JADEMAR.COM



Information contained herein is subject to change without notice.
Values are nominal.
Revised 07/2022



SPECIFICATION SUBMITTAL DETAIL

Project Name/Type:		Date:
Catalog/Part #:		

JRHB-CPS SERIES CCT & POWER SELECTABLE LED ROUND HIGH BAY

Ordering Information / Example: **JRHB-CPS-150W-30K-120D-D-BK-UB-PWC12**

Product Series	Wattage (Power Selectable)	Input Voltage	CCT	Light Distribution	CRI	Dimming	Controls & Dimming	Surge Protection	Housing Color	Mounting	Other Options
JRHB-CPS	150W (150W/120W/90W)	Blank (120-277VAC)	Blank (CCT Selectable) 3000K/4000K/5000K	120D (120° Angle) Standard	Blank (80 CRI) Standard	Blank (0-10V Dimming) Standard	BMW O (Bi-Level Microwave Occupancy Sensor)	Blank (Internal 6kV Driver) Surge Protection	BK (Black Finish) Standard	Blank (Chain/Eyehook Mount)	Blank (6' Power Cord) Standard PWC12 (12' Power Cord) NP3 (3-Pin 277VAC Nema power plug) MJBOX-1/2 (1/2" Junction box) MJBOX-3/4 (3/4" Junction box)
JRHB-PS	240W (240W/200W/180W)	H (277-480VAC)	30K (3000K) 35K (3000K) 40K (4000K) 50K (5000K)				JICS-BT-SC (Bluetooth Indoor Control System)		WH (White Finish) *Special Order*		

FIELD INSTALLED OPTIONS

JRHB-CPS-ALR-16-150W	16" Aluminum reflector for 150W model
JRHB-CPS-ALR-16-240W	16" Aluminum reflector for 240W model
JRHB-CPS-PCR-16-150W	16" PC Refractor for 150W model
JRHB-CPS-PCR-16-240W	16" PC Refractor for 240W model
JRHB-CPS-PC-FB-16-150W	16" PC Refractor Flat Bottom Cover for 150W model
JRHB-CPS-PC-FB-16-240W	16" PC Refractor Flat Bottom Cover for 240W model
JRHB-CPS-PCR-CB-16-150W	16" PC Refractor with Cone shaped bottom cover for 150W model
JRHB-CPS-PCR-CB-16-240W	16" PC Refractor with Cone shaped bottom cover for 240W model
ST-5	5FT Safety Tether
ST-10	10FT Safety Tether
JRHB-CPS-UB-150W	Yoke/U-Bracket for 150W
JRHB-CPS-UB-240W	Yoke/U-Bracket for 240W

JRHB-CPS-WG-150W	Wireguard for 150W
JRHB-CPS-WG-240W	Wireguard for 240W
JRHB-CPS-NPTC	NPT Converter/Reducer from 3/4" to 1/2"
BMW O-RC	Hand held sensor remote programmer for BMW O
JEMBBU-25W	External Field Installed Li-on EM Pack (25W) w/Wireless Remote Test Option
JEMBBU-40W	External Field Installed Li-on EM Pack (40W) w/Wireless Remote Test Option
JEMBBU-RC	External Field Installed Li-on EM Pack (40W) w/Wireless Remote Test Option
RCS-75-34	34 (3/4") Swivel Canopy 4" for Round/Octagonal J-BOX with cover
SCS-75-34	34 (3/4") Swivel Canopy 4" for Square J-BOX with cover
RSC-RM-34-18P	34 (3/4") with 18" pipe Swivel Canopy 4" for Round/Octagonal J-BOX Rapid Mount w/Hinged Door
SSC-RM-34-18P	34 (3/4") with 18" pipe Swivel Canopy 4" for Square J-BOX Rapid Mount w/Hinged Door

For Mounting Options See Page 3



LUMEN PERFORMANCE AND ELECTRICAL DATA

Model Number	JRHB-CPS-150W									JRHB-PS-150W-H					
Primary & Step Down Wattage	150W			120W			90W			150W		120W		90W	
Color Temperature (CCT)	3000K	4000K	5000K	3000K	4000K	5000K	3000K	4000K	5000K	4000K	5000K	4000K	5000K	4000K	5000K
Nominal Efficacy (lm/W)	138	153	146	138	153	146	138	153	146	162	165	162	165	162	165
Lumens	20,700	22,900	21,900	16,560	18,360	17,520	12,420	13,770	13,140	24,300	24,700	19,440	19,800	14,580	14,850
DLC Product ID #	PL2UFJ3Y									PD2AGSN1	PG4ZMHPB				
Model Number	JRHB-CPS-240W									JRHB-PS-240W-H					
Primary & Step Down Wattage	240W			200W			180W			240W		210W		180W	
Color Temperature (CCT)	3000K	4000K	5000K	3000K	4000K	5000K	3000K	4000K	5000K	4000K	5000K	4000K	5000K	4000K	5000K
Nominal Efficacy (lm/W)	138	153	146	138	153	146	138	153	146	162	165	162	165	162	165
Lumens	33,100	36,700	35,100	27,600	30,600	29,200	24,840	27,540	26,280	38,880	39,600	34,020	34,650	29,160	29,700
DLC Product ID #	P4L7Q4IC									PGSN46AD	PQJ72M39				
CRI	>80														
Light Distribution	120° PC Optic Options														
Ingress Protection Rating	IP65														
Certifications & Compliance	FCC / UL & DLC Listed														
Dimming / Control Options	0-10V Dimming / Bi-level Microwave Occupancy Sensor w/ Hand-held Remote Control Option														
Power Factor & SP	PF>0.9, Surge Protection: L/N-PE: 6kV, L-N: 6kV														
THD	≤20%														
Lifetime Based on TM21	L70 @ 174,000Hrs. (Default Based on Primary Wattage) / L80 @ 129,000Hrs. / L90 @ 81,000Hrs.														
Housing Material	Die-cast Aluminum														
Ambient Working Temp	With motion sensor -30°C to 55°C (-20°F to 131°F) Ambient / without motion sensor -40°C to 55°C (-40°F to 131°F) Ambient														
Limited Warranty	10 Years Limited														

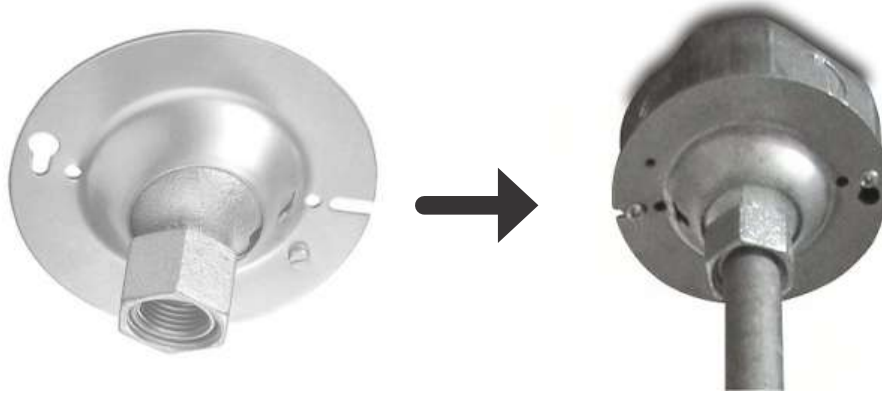


Miami, FL USA - info@jademar.com
 T: 305.640.0465 - F: 305.640.0468
WWW.JADEMAR.COM



Information contained herein is subject to change without notice.
 Values are nominal.
 Revised 07/2022

MOUNTING OPTIONS - PENDANT SWIVEL CANOPY TYPES



Swivel Canopy 4" for Round/Octagonal J-BOX with cover:
RCS-75-12 or 34 (1/2" / 3/4)



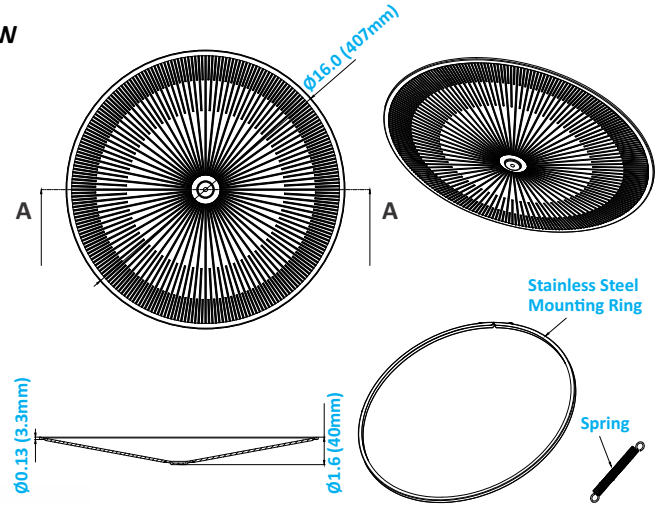
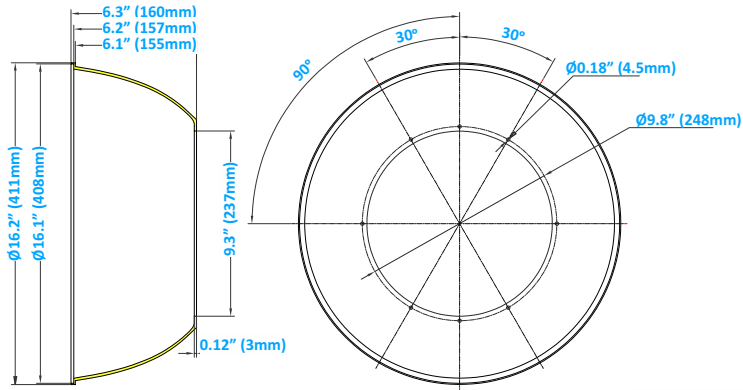
Swivel Canopy 4" for Square J-BOX with cover:
SCS-75-12 or 34 (1/2" / 3/4)



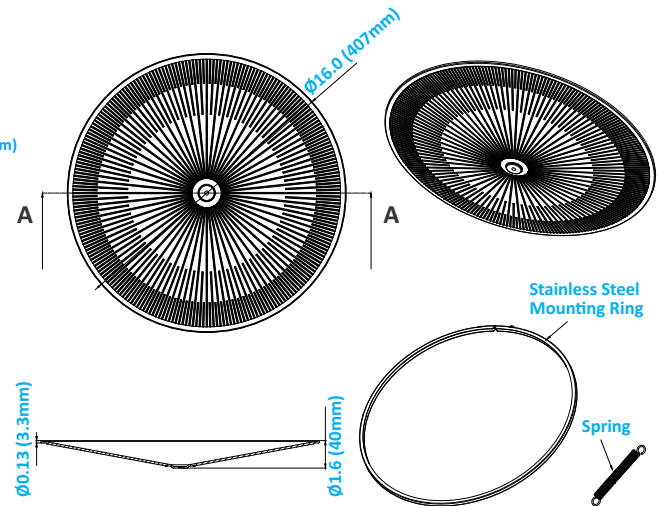
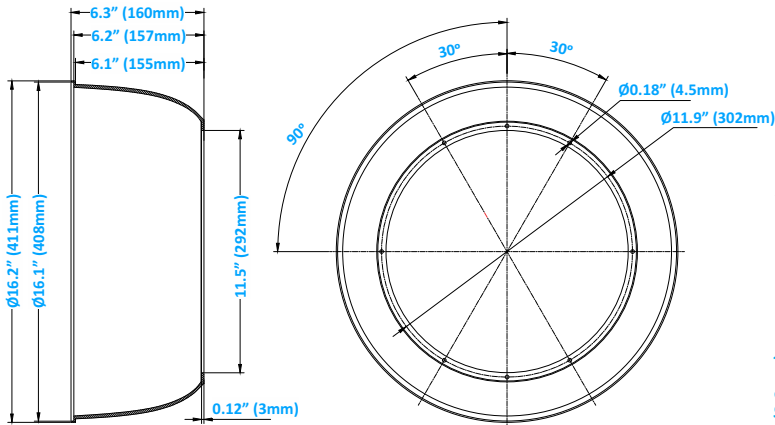


PC REFRACTOR AND COVER DIMENSIONS

100W-150W



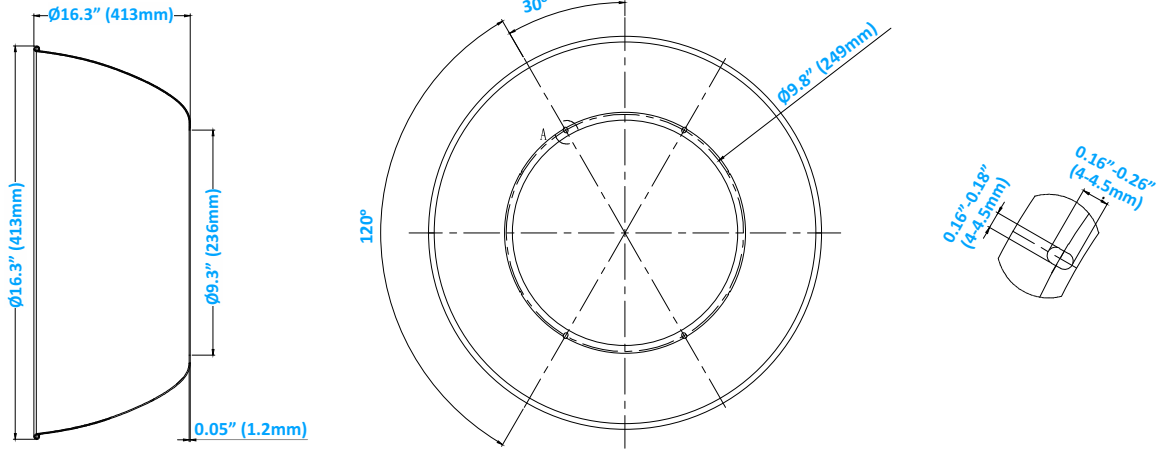
200W-240W



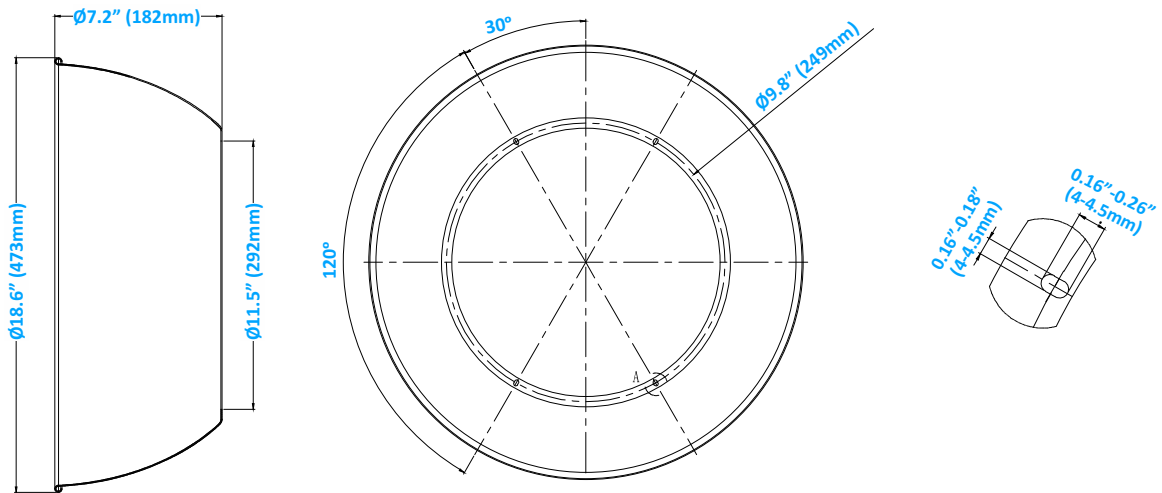


ALUMINUM REFLECTOR DIMENSIONS

100W-150W



200W-240W

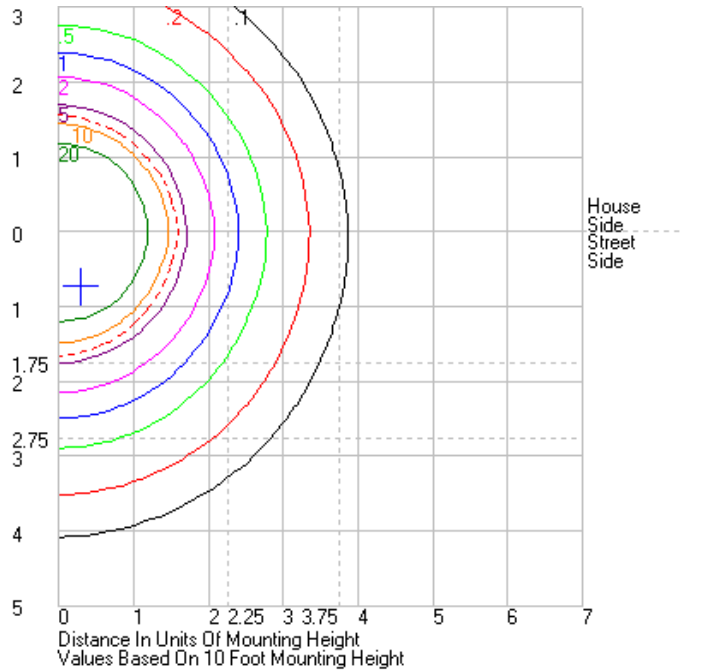
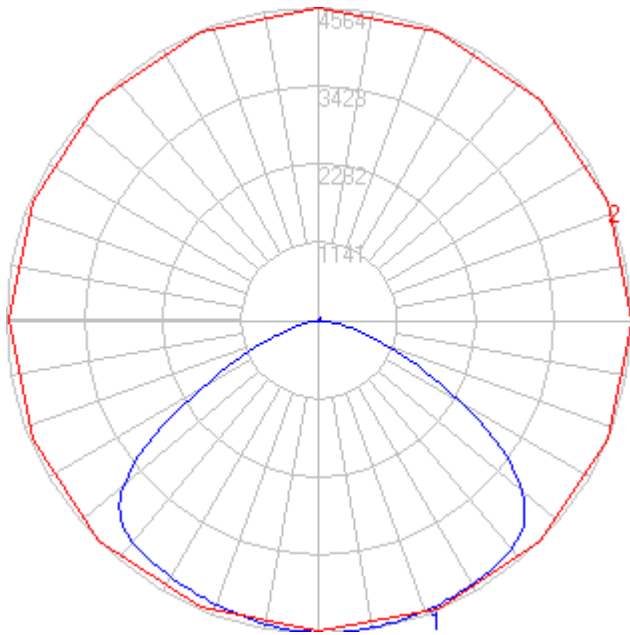


PHOTOMETRIC DATA

JRHB-CPS-150W

Tested at 100W

Values Based on 10FT Mounting Height



JRHB-CPS-240W

Tested at 200W

Values Based on 10FT Mounting Height

