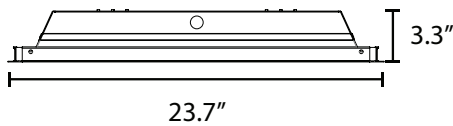
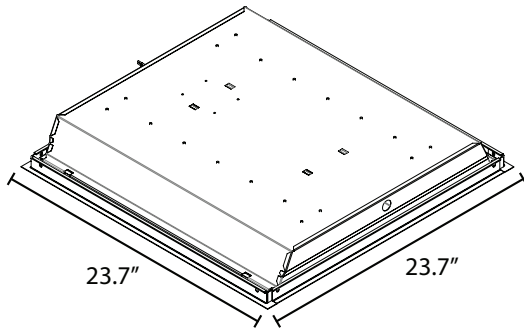


ECO-T™ LED RECESSED TROFFER
MLRT SERIES



PRODUCT DESCRIPTION:

Combining high efficiency and a high quality light in a performance-and value-optimized package, MaxLite's ECO-T™ LED Recessed Troffer represents the inflection point to making LEDs a cost-effective replacement for fluorescent troffers in lay-in or T-grid ceilings for the commercial and institutional market, including schools and municipalities.

ECO-T offers a classic recessed housing with LED strips that resemble fluorescent tubes when lit. While fluorescent fixtures can buzz and flicker and contribute to headache and eye fatigue, ECO-T is constructed with LM-80-rated LEDs and a prismatic clear diffuser for higher lumens, making it the silent and flicker-free solution for offices, lobbies, hallways and conference rooms in schools, municipalities, airports, healthcare facilities, showrooms, corporate campuses and retailers trying to stretch renovation and construction budgets. With standard 0-10v dimming provided, ECO-T maintains 90 percent of the light in a 60-degree beam angle to project light downward towards surfaces.

FEATURES:

- L70 lumen maintenance of 50,000 hours
- 0-10V dimming standard
- CRI: >83
- IC-Rated
- Fits standard T-bar grid (drop ceilings)
- Room side access door to service and upgrade LED strips
- Suitable for damp locations
- 10 year warranty

WARRANTY:

10-year standard warranty with labor allowance* (further details available at www.maxlite.com/warranties)
*Warranty Limitations: Product must be rated for the application per the Product Data Sheet (PDS); operated ≤ 16 hrs; in ambient of -29F to 104F.

*Up to \$25/unit; labor allowances of up to \$500/unit available for purchase – contact MaxLite representative for details.

MODEL SELECTION (Full list of order codes on pg. 2)		Typical order example: MLRT24D4240		
MLRT				
FAMILY	SIZE	DIMMABLE	WATTAGE	CCT
MLRT= Recessed Troffer	22= 2'X2' 24= 2'X4'	D= 0-10V Dimming	32= 32W 42= 42W	40= 4000K 50= 5000K

*2x2 32W is not DLC qualified

Not all product variations listed on this page are DLC qualified. Visit www.designlights.org/search to confirm qualification.

SPECIFICATIONS:

		MLRT22D3240	MLRT22D3250	MLRT24D4240	MLRT24D4250
ITEM	SPECIFICATION	DETAILS			
GENERAL PERFORMANCE	Power Consumption (W)	34.3	34.6	42.3	41.8
	Lumens Delivered	3,440	3,500	4,520	4,540
	Efficacy (lm/W)	100	101	107	109
	CRI	≥80			
	Color Temperature (K)	4000, 5000			
	L70 Lifetime (hours)	50,000			
	Color Consistency	Proprietary binning for uniform color			
ELECTRICAL	Power Factor	0.9			
	Input Voltage	120-277V			
	Compatible Dimmers	Designed to be compatible with most 0-10V dimmers			
PHYSICAL	Optics	Standard prismatic diffuser			
	Mounting	Fits standard grid for drop ceilings			
	Operating Temperature	-4°F to 104°F			
	Humidity	20-85% RH, non-condensing			
CERTIFICATION	Certification	cULus listed, FCC			
	Material Usage	RoHS compliant; no mercury			
	Environment	Indoor Damp / IC rated			
	Warranty	10 year warranty*			
QUALIFICATION	DesignLight Consortium	DLC Listed			

*2x2 32W is not DLC qualified
Lighting layouts and spacing criteria available upon request

Not all product variations listed on this page are DLC qualified.
Visit www.designlights.org/search to confirm qualification.

ORDERING:**

ORDER CODE	MODEL NUMBER	WATTAGE	CCT
107753	MLRT22D3240	32W	4000K
107754	MLRT22D3250		5000K
107755	MLRT24D4240	42W	4000K
107756	MLRT24D4250		5000K

**Please contact your MaxLite representative to order products that don't have order codes listed here.