

OMNI® LOW VOLTAGE ULTRASONIC AND PIR CEILING SENSOR

CEILING MOUNT OCCUPANCY SENSORS

FEATURES

- IntelliDAPT® self-adaptive technology - no manual adjustment required
- All-digital dual technology ultrasonic (US) and passive infrared (PIR) sensor
- Non-volatile memory for sensor settings
- Low voltage device: 24VDC
- 500–2,000 square-foot coverage area (depending on model)
- Optional relay and photocell control
- 5 year warranty



SPECIFICATIONS

CONSTRUCTION

- 5.0 oz. (142g)
- Off-white
- Ø4.0" x1.5" H (Ø 114.3mm x 38.1mm H)
- Casing- rugged, high-impact, injection-molded plastic KJB ABS
- Cicolac (UL-945VA) flame class rating, UV inhibitors
- Color-coded leads are 6" long (152.4 mm)
- Dual-element pyrometer and 12-element cylindrical segmented Fresnel lens, integral filter excludes excess PIR energy from sunlight
- Red LED Lamp - infrared motion
- Green LED Lamp - ultrasonic detection

MOUNTING

- Mounting base provided
- Recommended mounting height: 8ft (2.44m) with a max mounting height of 12ft (3.66m)

ELECTRICAL

- 24VDC, 33mA (uses UVPP and MP- Series power pack- not included)

ELECTRICAL (CONTINUED)

- 24VDC active high-logic control signal with short circuit protection and optional dry contact (see RP options)
- OMNIDT500: 40kHz output
- OMNIDT1000 and OMNIDT2000: 32kHz

OPERATION

- IntelliDAPT Technology
 - Auto reset from test setting
 - Self-adjusting timer
 - Self-adjusting passive infrared thresholds
 - Automatic false-on/false-off corrections
- Coverage
 - Coverage: 500 - 2,000 square feet (152.4 - 609.6 square meters)
- Timer Settings
 - Automatic mode: 8–30 min. (self-adjusts based on occupancy)
 - Test mode: 8 seconds (for an easy check at installation)

OPERATION (CONTINUED)

- RP Option
 - Relay and photocell included
 - Relay: N/O + N/C contacts; SPDT; 500 mA rated @ 24VDC; three-wire isolated relay
 - Photocell: adjustable natural-light override ranges from 0 to 100 foot-candles (0 to 1,000 lux)

OPERATING ENVIRONMENT

- Indoor use only
- Operating temperature: 32° to 104°F (0° to 40°C)
- Relative humidity (non-condensing): 0% to 95%

CERTIFICATIONS

- UL and cUL listed
- California Title 24 compliant

WARRANTY

- 5 year limited

ORDERING GUIDE

Example: OMNIDT1000

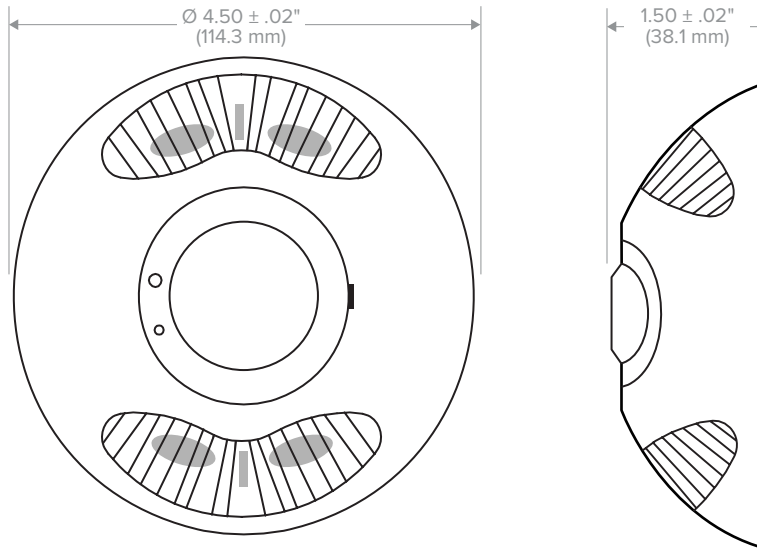
CATALOG #

| Model | Technology | Coverage | Relay/Photocell Option |
|---------------------|--------------------|---|---|
| OMNI Ceiling sensor | DT Dual Technology | 500 500 sq ft 1000 1,000 sq ft 2000 2,000 sq ft | RP Relay and Photocell (Blank) No Option |

OMNI® LOW VOLTAGE ULTRASONIC AND PIR CEILING SENSOR

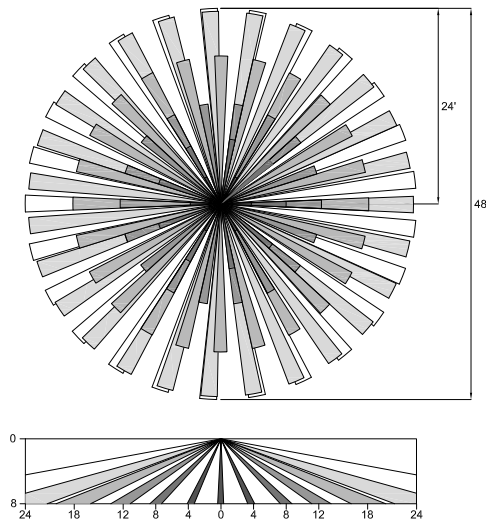
CEILING MOUNT OCCUPANCY SENSORS

DIMENSIONS



ADDITIONAL INFORMATION

Coverage Patterns



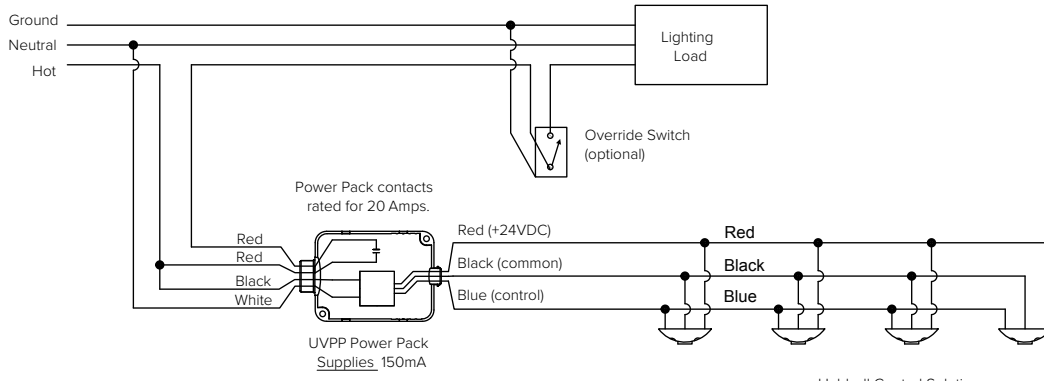
Sensor Lens Coverage and Detection Patterns
When Mounted at 8ft with Low Mount Lens

OMNI® LOW VOLTAGE ULTRASONIC AND PIR CEILING SENSOR

CEILING MOUNT OCCUPANCY SENSORS

ADDITIONAL INFORMATION (CONTINUED)

Wiring Diagrams

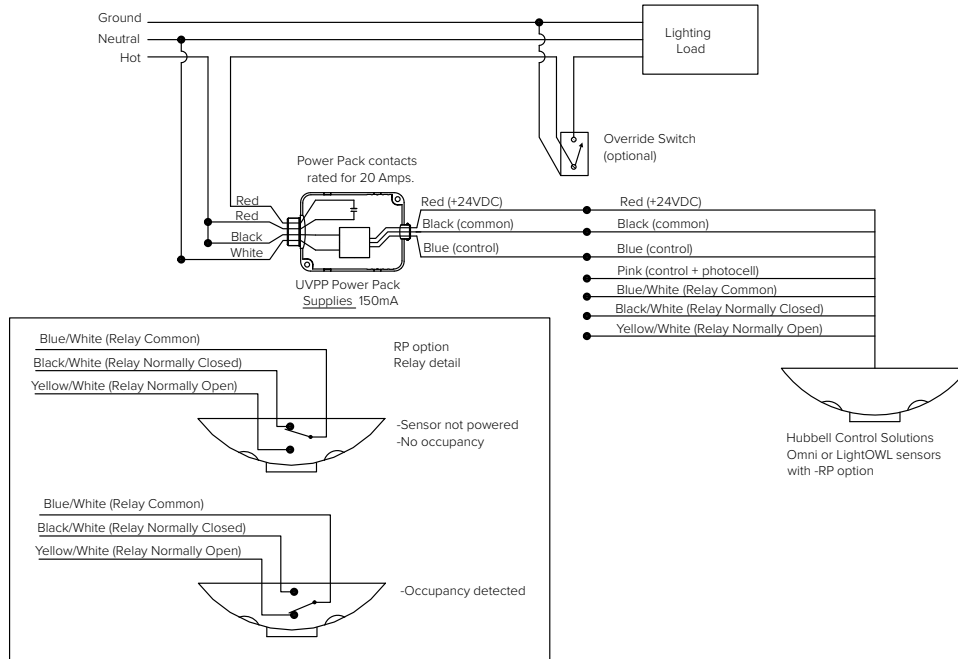


Hubbell Control Solutions
Low Voltage Sensors (devices)
Requires 33mA each

NOTE:

- DO NOT attempt to power more than 4 devices, be it sensors or slave packs, from a single power pack.

1 Circuit with up to 4 Sensors and UVPP



Hubbell Control Solutions
Omni or LightOWL sensors
with -RP option

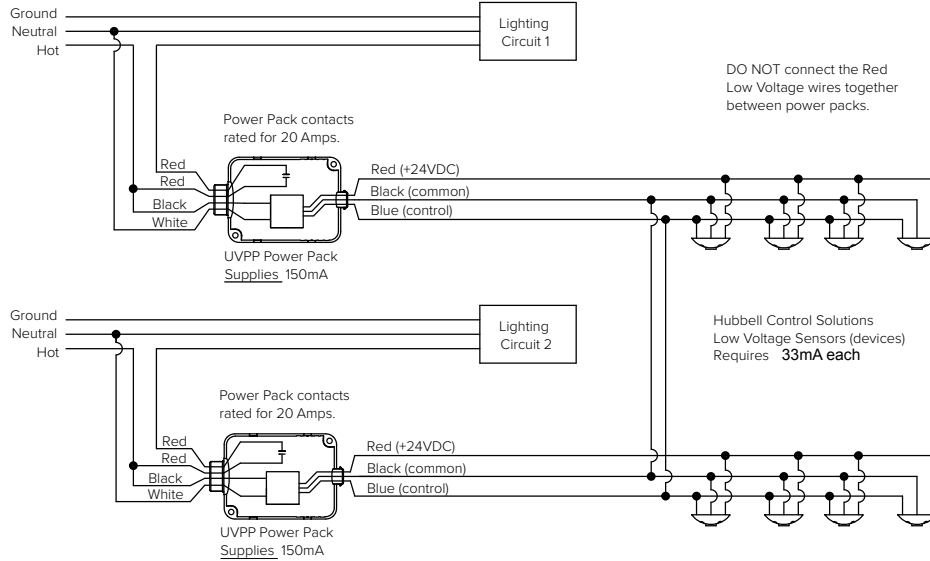
1 Circuit with RP Option Wiring

OMNI® LOW VOLTAGE ULTRASONIC AND PIR CEILING SENSOR

CEILING MOUNT OCCUPANCY SENSORS

ADDITIONAL INFORMATION (CONTINUED)

Wiring Diagrams Continued



NOTES:

1. Lighting load turns on when at least one sensor detects motion
2. DO NOT attempt to power more than 4 devices, be it sensors or slave packs, from a single power pack
3. No more than 4 power packs should be connected in this way

2 Circuits with 5 to 8 Sensors