

Lighting Controls

DATE: _____ LOCATION: _____

TYPE: _____ PROJECT: _____

CATALOG #: _____

OMNI® LOW VOLTAGE ULTRASONIC CEILING SENSOR

CEILING MOUNT OCCUPANCY SENSORS

FEATURES

- IntelliDAPT® self-adaptive technology - no manual adjustment required
- Superior all-digital ultrasonic (US) minor motion detection
- Non-volatile memory for sensor settings
- 500–2,000 square-foot coverage area (depending on model)
- Optional relay and photocell control
- UL and cUL listed
- California Title 24 compliant
- Five-year limited warranty



See Certification Specifications

SPECIFICATIONS

CONSTRUCTION

- Casing- rugged, high-impact, injection-molded plastic KJB ABS
- Cicolac (UL-945VA) flame class rating, UV inhibitors
- Color-coded leads are 6" long (152.4 mm)
- 5.0 oz (142g)
- Off-white
- Green-ultrasonic detection

MOUNTING

- Mounting base provided
- Recommended mounting height: 8ft (2.44m) with a max mounting height of 12ft (3.66m)

ELECTRICAL

- OMNIUS500: 40kHz output
- OMNIUS1000 and OMNIUS2000: 32kHz output
- 24VDC, 33mA (uses UVPP and MP- Series power pack- not included)
- 24VDC active high-logic control signal with short circuit protection and optional dry contact (see RP options)

OPERATIONS

- IntelliDAPT
 - Auto reset from test setting
 - Self-adjusting timer
 - Self-adjusting ultrasonic thresholds
 - Automatic false-ON/false-OFF corrections
- Coverage
 - 500–2,000 square feet (depending on model)
- Timer Settings
 - Automatic mode: 8–30 min. (self-adjusts based on occupancy)
 - Test mode: 8 seconds (for an easy check at installation)
- RP Option
 - Relay: N/O + N/C contacts; SPDT; 500 mA rated @ 24VDC; three-wire isolated relay
 - Photocell: adjustable natural-light override ranges from 0 to
 - 100 foot-candles (0–1,000 lux)

OPERATING ENVIRONMENT

- Indoor use only
- Operating temperature: 32° to 104°F (0° to 40°C)
- Relative humidity (non-condensing): 0% to 95%

CERTIFICATIONS

- UL and cUL listed
- This product qualifies as "designated country construction material" per FAR 52.225-11 Buy American-Construction Materials under Trade Agreements effective 5/27/2020.

WARRANTY

- 5 year warranty

Lighting Controls

DATE: _____ LOCATION: _____

TYPE: _____ PROJECT: _____

CATALOG #: _____

OMNI® LOW VOLTAGE ULTRASONIC CEILING SENSOR

CEILING MOUNT OCCUPANCY SENSORS

ORDERING GUIDE

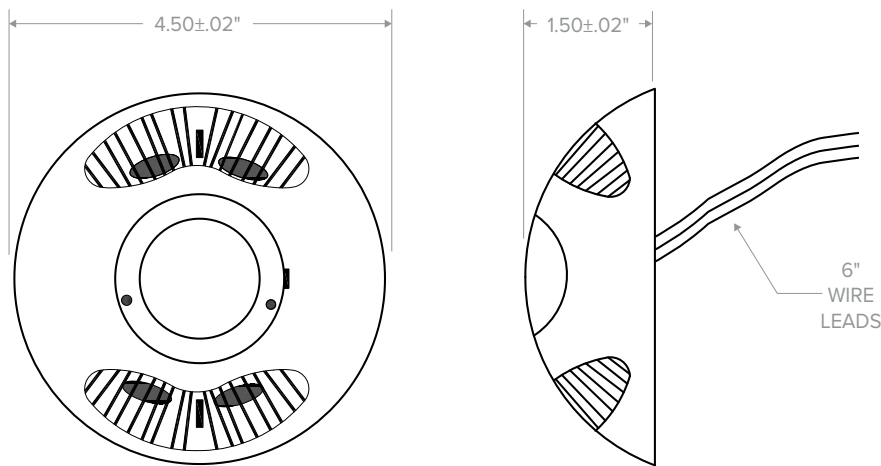
Example: OMNIUS2000RP-T

CATALOG #

OMNI Series	US Technology	Coverage	Relay/PhotoCell Option	TAA
OMNI	US Ultrasonic	500 500 sq. ft. 1000 1,000 sq. ft. 2000 2,000 sq. ft.	RP Relay & PhotoCell (Blank) No Option	Blank Standard Product T TAA

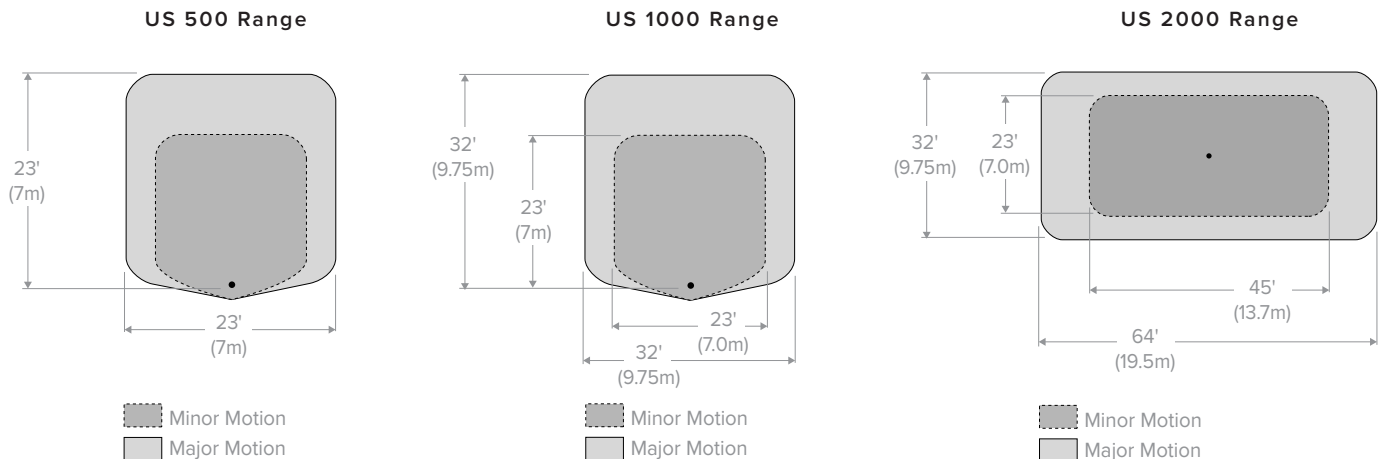
*Buy American Solutions	
TAA	FAR §52.225-11
OMNIUS2000RP	

DIMENSIONS



ADDITIONAL INFORMATION

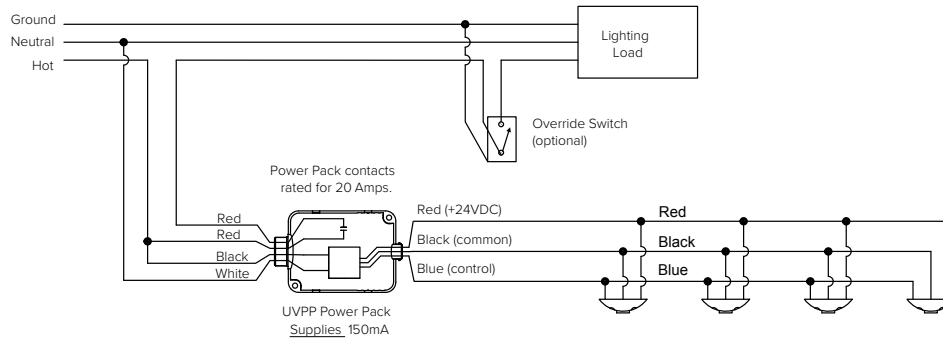
Coverage Patterns



OMNI® LOW VOLTAGE ULTRASONIC CEILING SENSOR CEILING MOUNT OCCUPANCY SENSORS

ADDITIONAL INFORMATION (CONTINUED)

Wiring Diagrams

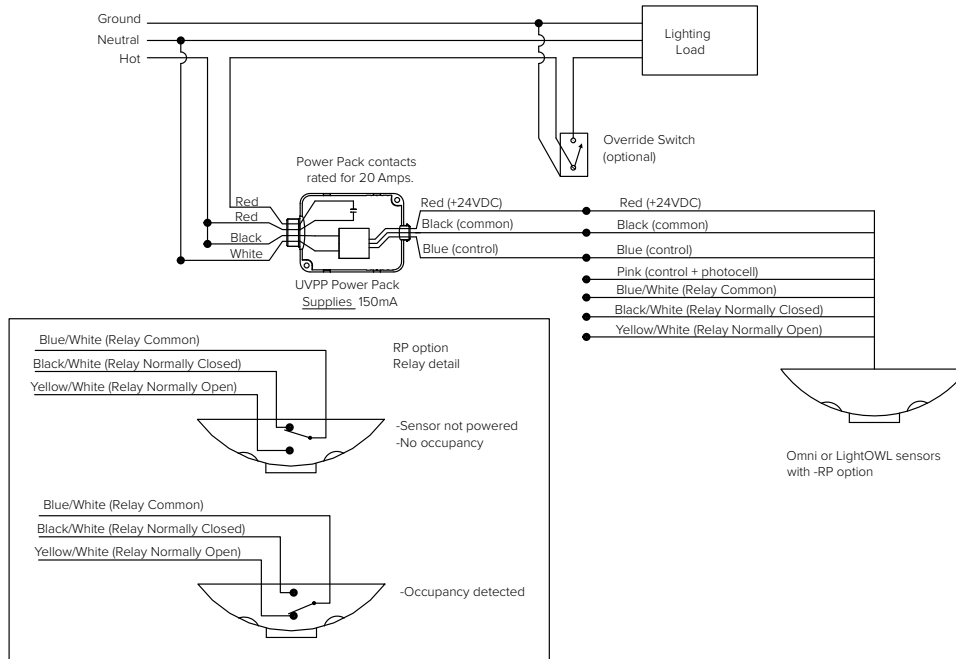


Low Voltage Sensors (devices)
Requires 33mA each

NOTE:

- DO NOT attempt to power more than 4 devices, be it sensors or slave packs, from a single power pack.

1 Circuit with up to 4 Sensors and UVPP



1 Circuit with RP Option Wiring

Pink wire replaces previous gray wire. Units with a gray instead of pink wire should be wired as the pink wire shown in the diagram.

Lighting Controls

DATE: _____ LOCATION: _____

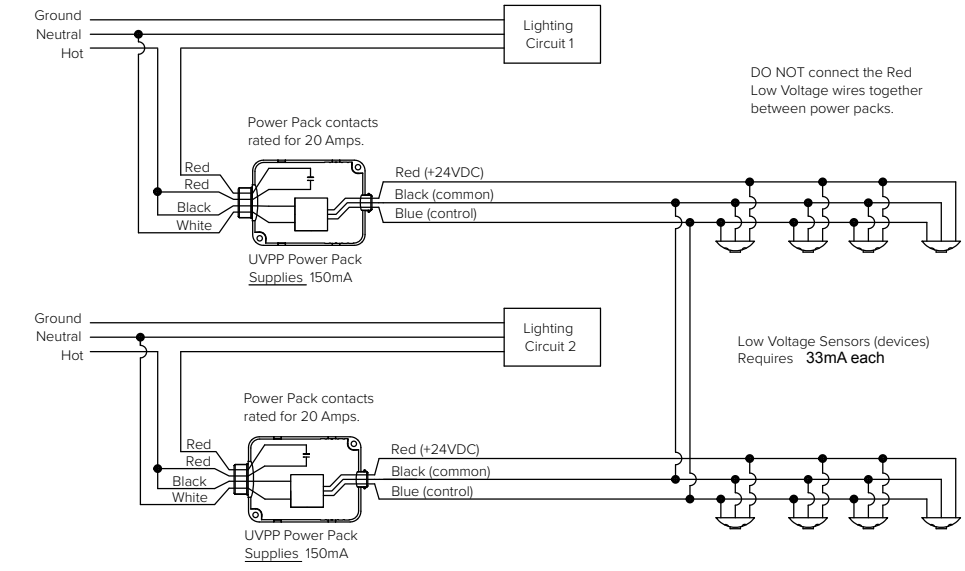
TYPE: _____ PROJECT: _____

CATALOG #: _____

OMNI® LOW VOLTAGE ULTRASONIC CEILING SENSOR CEILING MOUNT OCCUPANCY SENSORS

ADDITIONAL INFORMATION (CONTINUED)

Wiring Diagrams



NOTES:

1. Lighting load turns on when at least one sensor detects motion
2. DO NOT attempt to power more than 4 devices, be it sensors or slave packs, from a single power pack
3. No more than 4 power packs should be connected in this way

2 Circuits with 5 to 8 Sensors